



US00D856140S

(12) **United States Design Patent**  
**Zarfl**

(10) **Patent No.:** **US D856,140 S**

(45) **Date of Patent:** **\*\* Aug. 13, 2019**

(54) **AEROSOL DISPENSER**

(71) Applicant: **Hans Peter Zarfl**, Wolfsberg (AT)

(72) Inventor: **Hans Peter Zarfl**, Wolfsberg (AT)

(\*\*) Term: **15 Years**

(21) Appl. No.: **35/505,006**

(22) Filed: **Mar. 9, 2018**

(80) **Hague Agreement Data**

Int. Filing Date: **Mar. 9, 2018**

Int. Reg. No.: **DM/101191**

Int. Reg. Date: **Mar. 9, 2018**

Int. Reg. Pub. Date: **Jun. 1, 2018**

(51) **LOC (12) Cl.** ..... **09-07**

(52) **U.S. Cl.**  
USPC ..... **D9/448**

(58) **Field of Classification Search**  
USPC ..... D9/702, 707, 713, 720  
CPC ... C09K 3/30; B05B 11/0038; B05B 11/0054;  
B05B 9/0883

See application file for complete search history.

(56) **References Cited**

U.S. PATENT DOCUMENTS

D625,603 S \* 10/2010 Butler ..... D9/448  
9,566,211 B2 \* 2/2017 Brunner ..... A61H 33/06

2013/0327327 A1\* 12/2013 Edwards ..... A61M 15/0028  
128/203.11

2017/0165695 A1\* 6/2017 Chen ..... A45D 40/0075

2018/0289222 A1\* 10/2018 Nilsson ..... A47K 5/1209

2019/0060929 A1\* 2/2019 Delmon ..... B05B 11/0013

\* cited by examiner

*Primary Examiner* — Michael A. Pratt

(57) **CLAIM**

The ornamental design for an aerosol dispenser, as shown and described.

**DESCRIPTION**

1. Aerosol dispenser

1.1 : Perspective

1.2 : Back

1.3 : Bottom

1.4 : Front

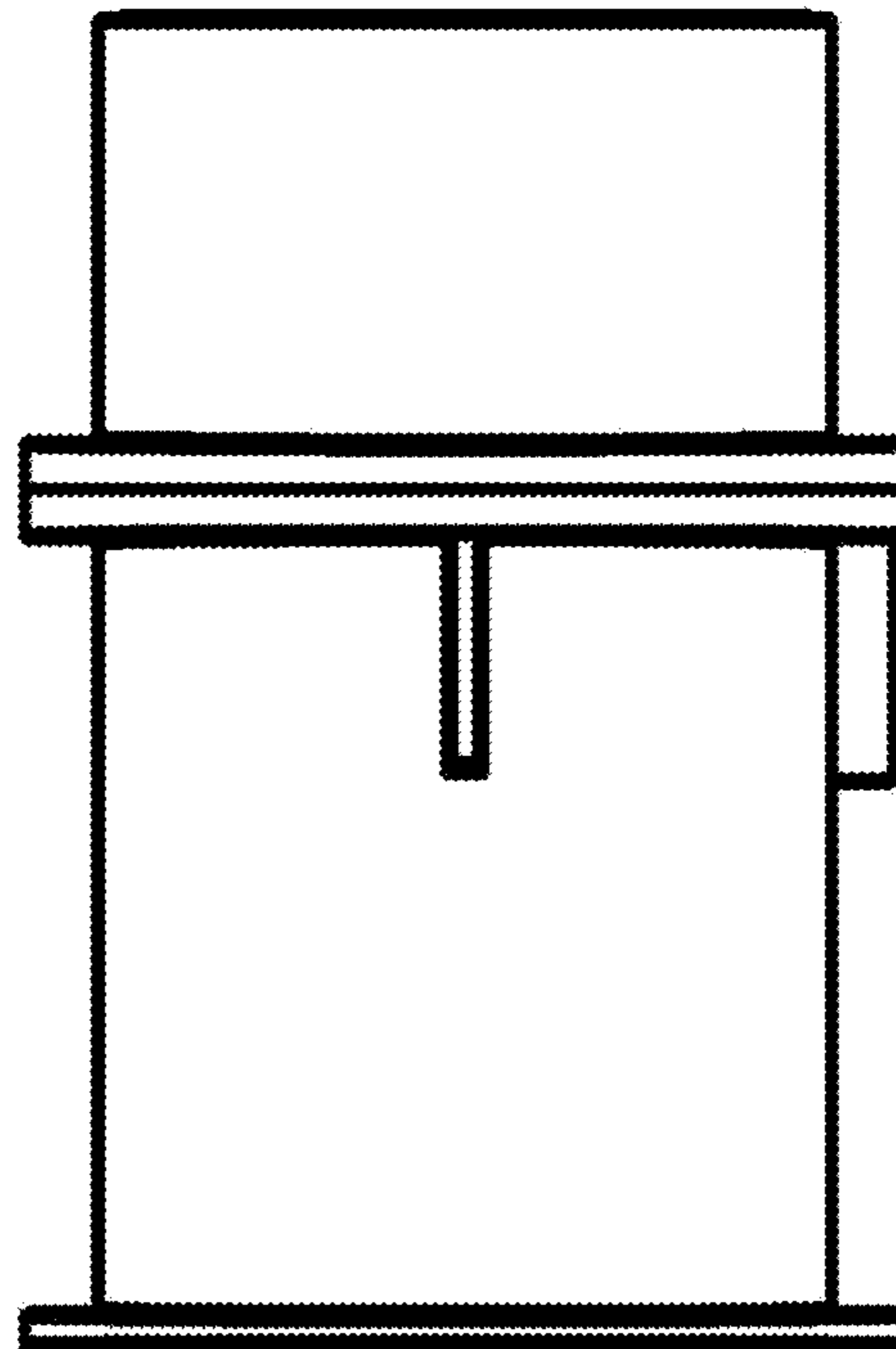
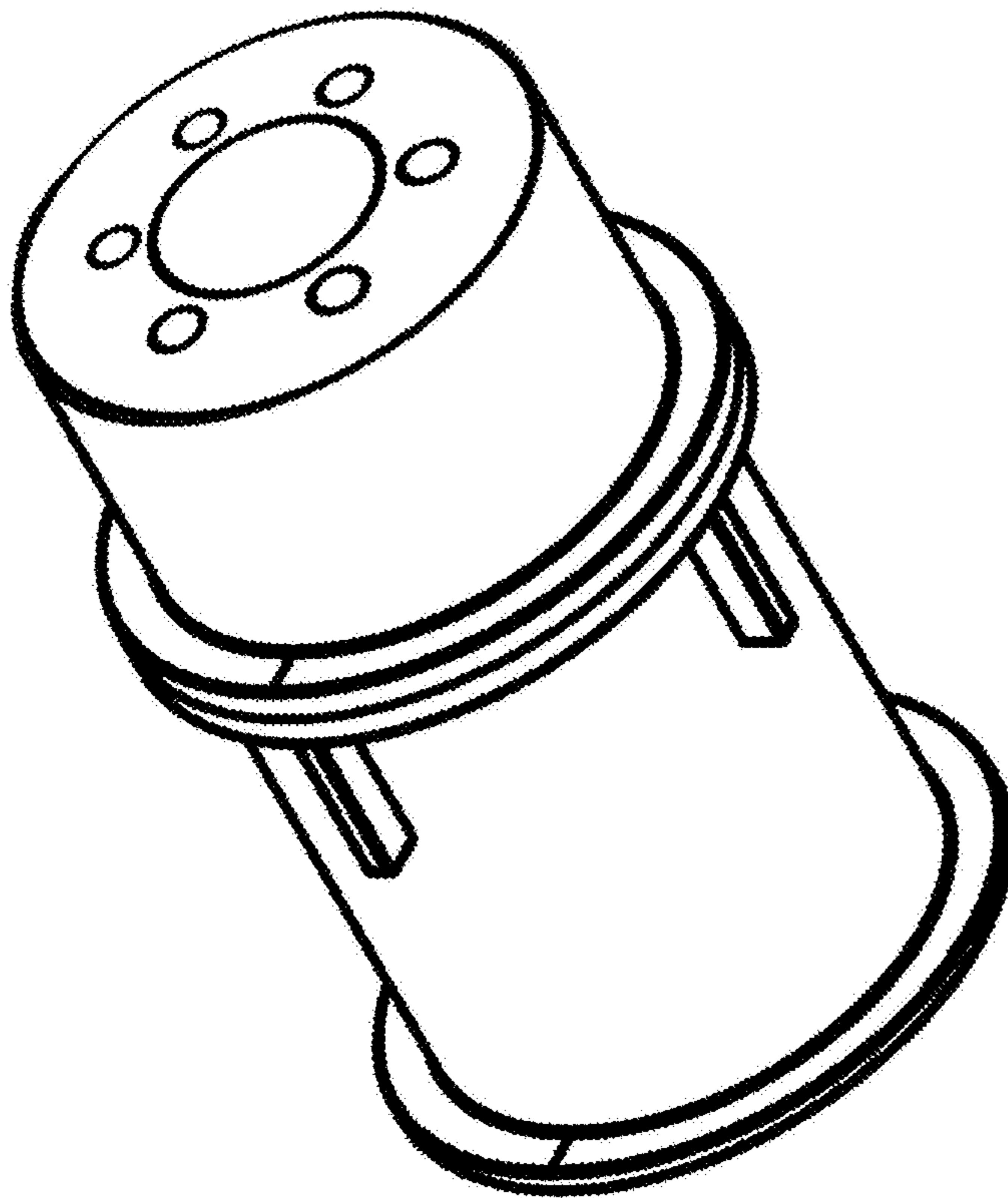
1.5 : Left

1.6 : Right

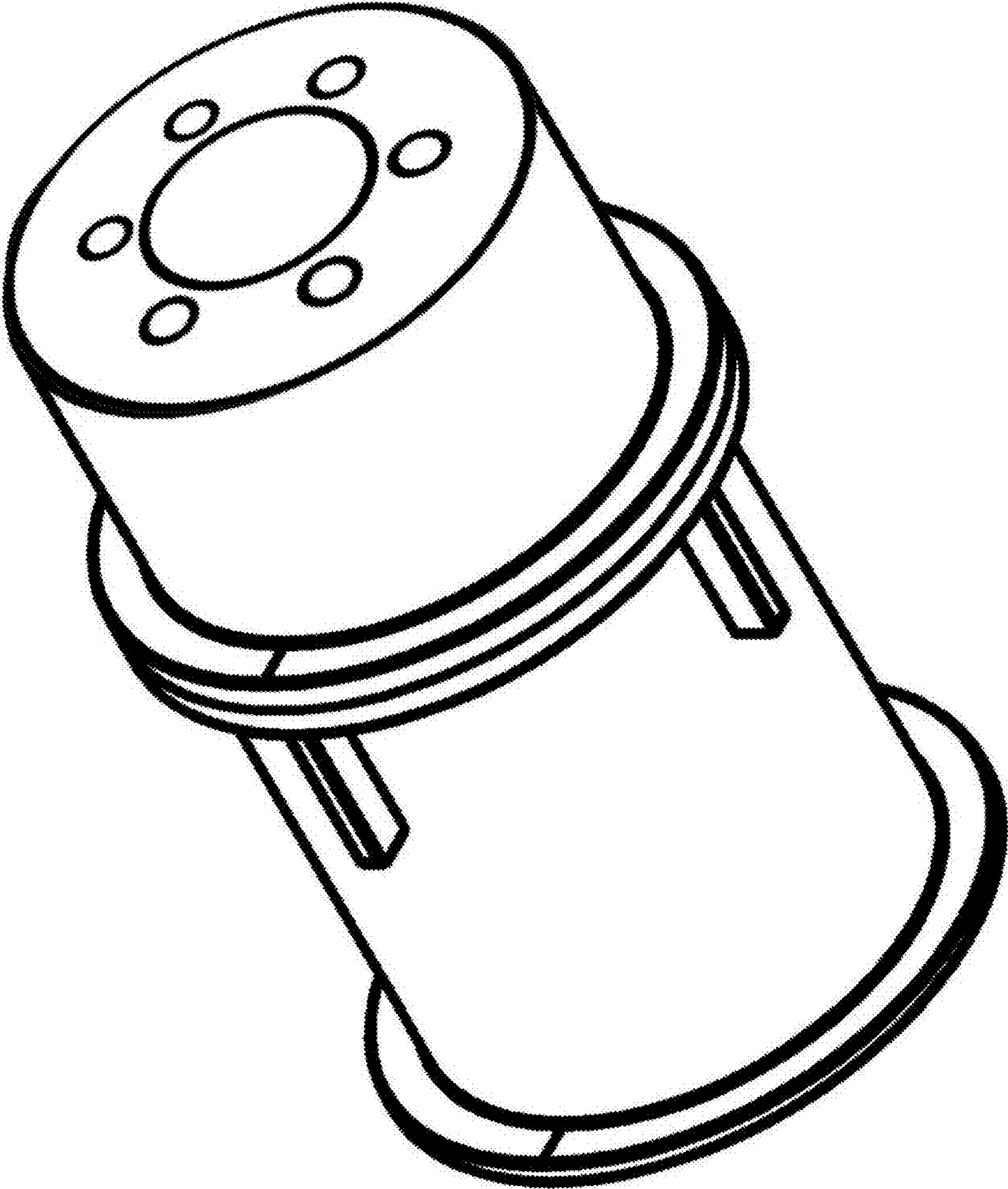
1.7 : Top

Aerosol dispenser, particularly for use with disinfection fluids.

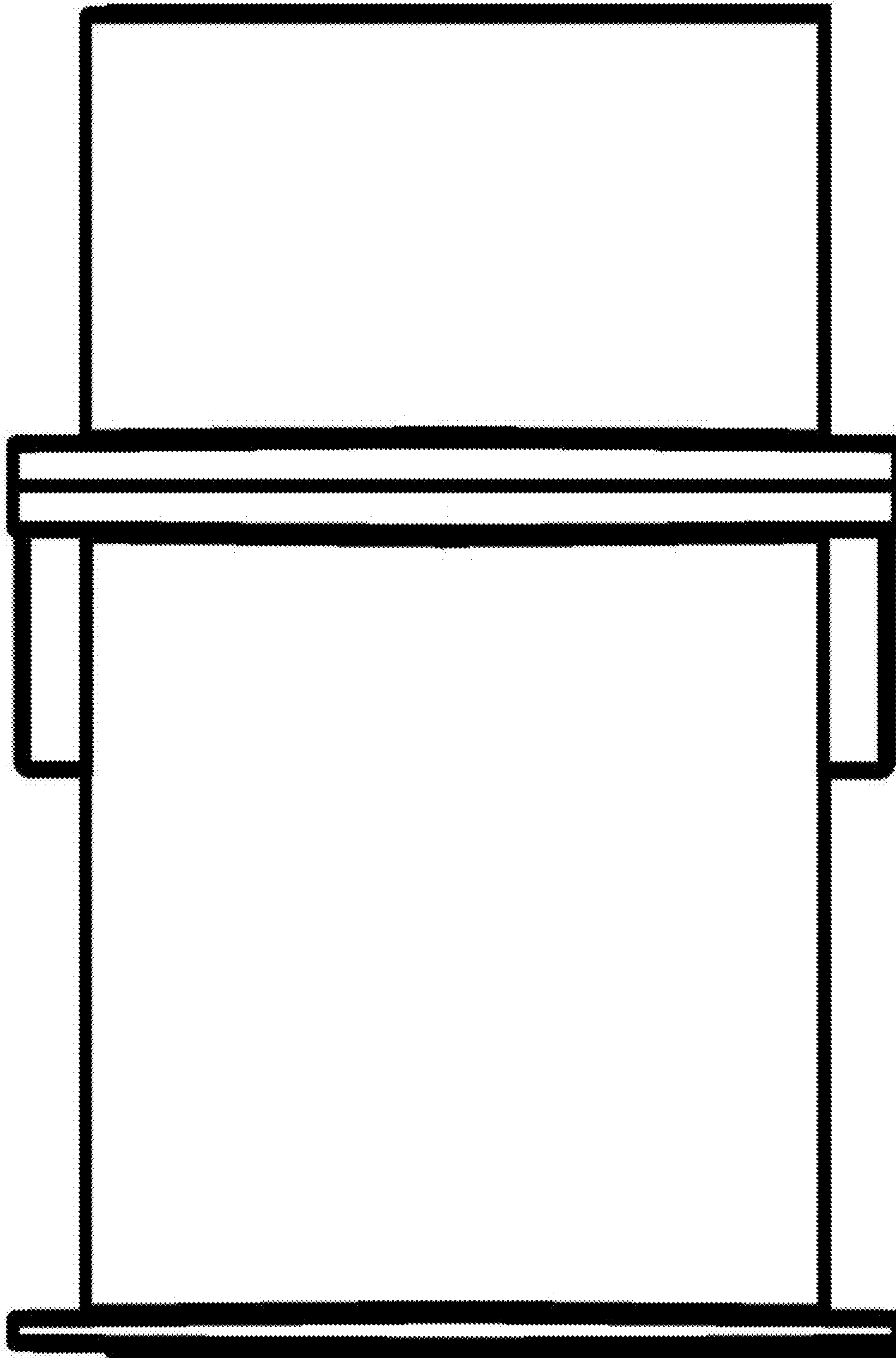
**1 Claim, 7 Drawing Sheets**



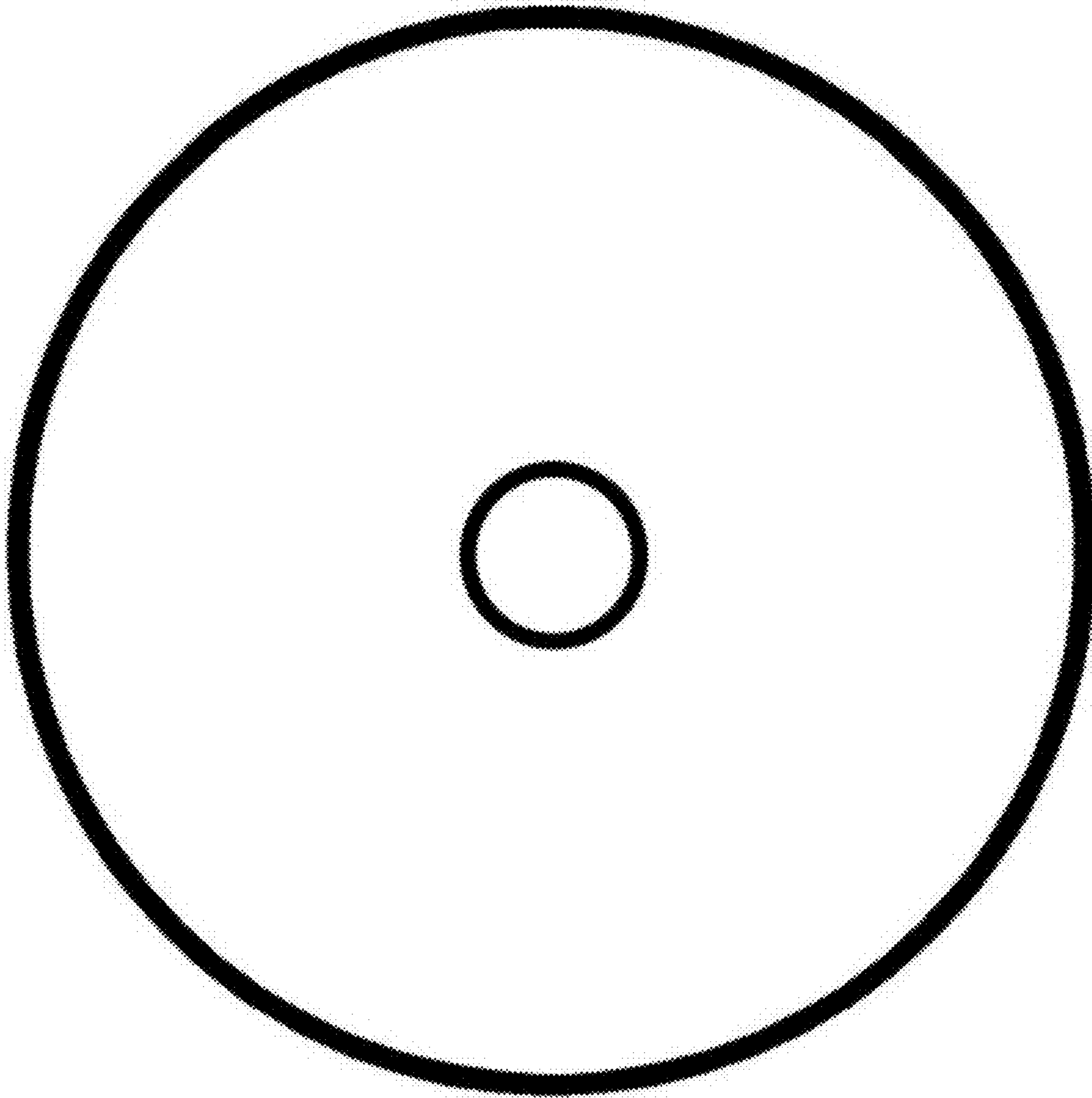
1.1



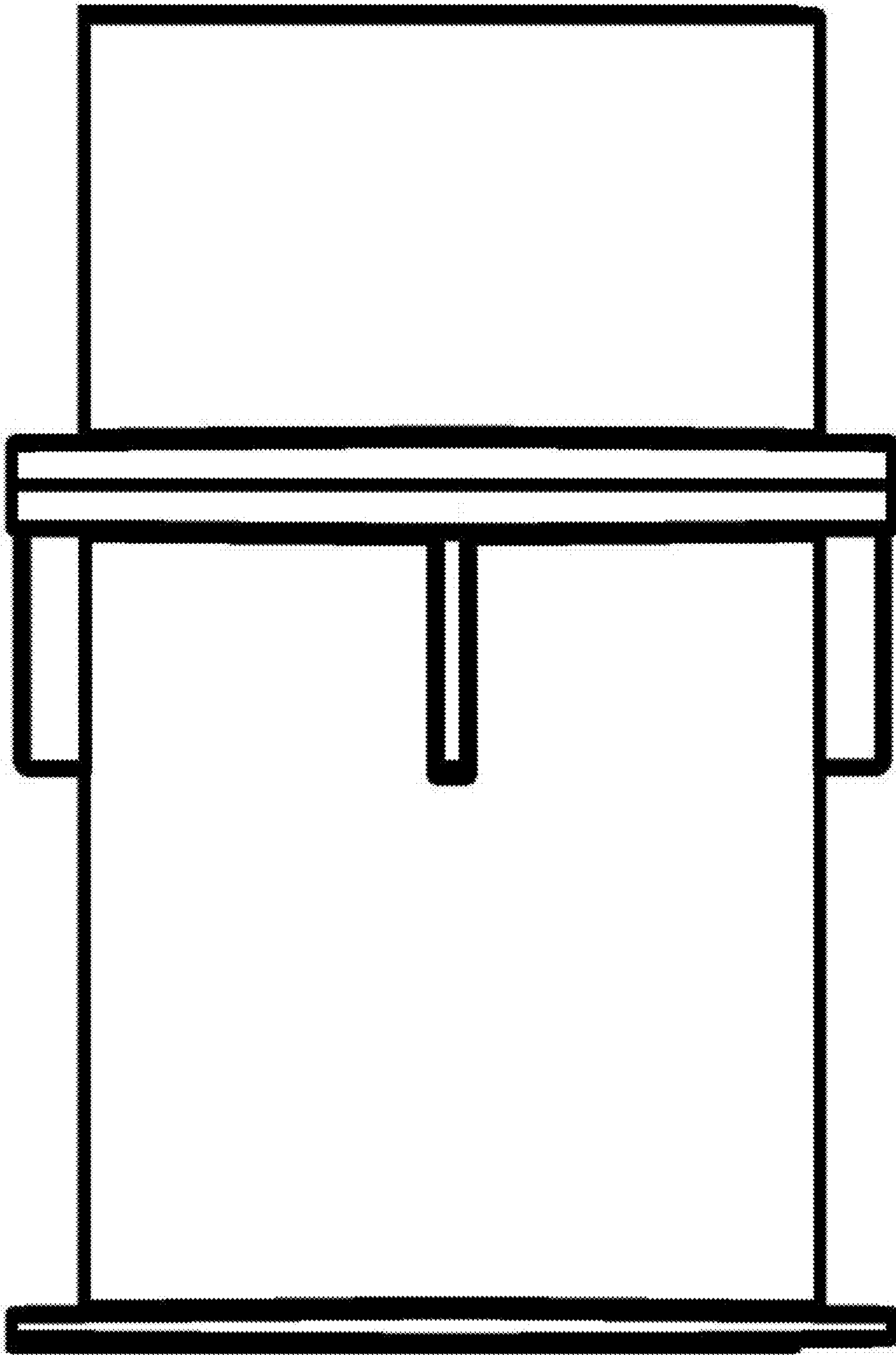
1.2



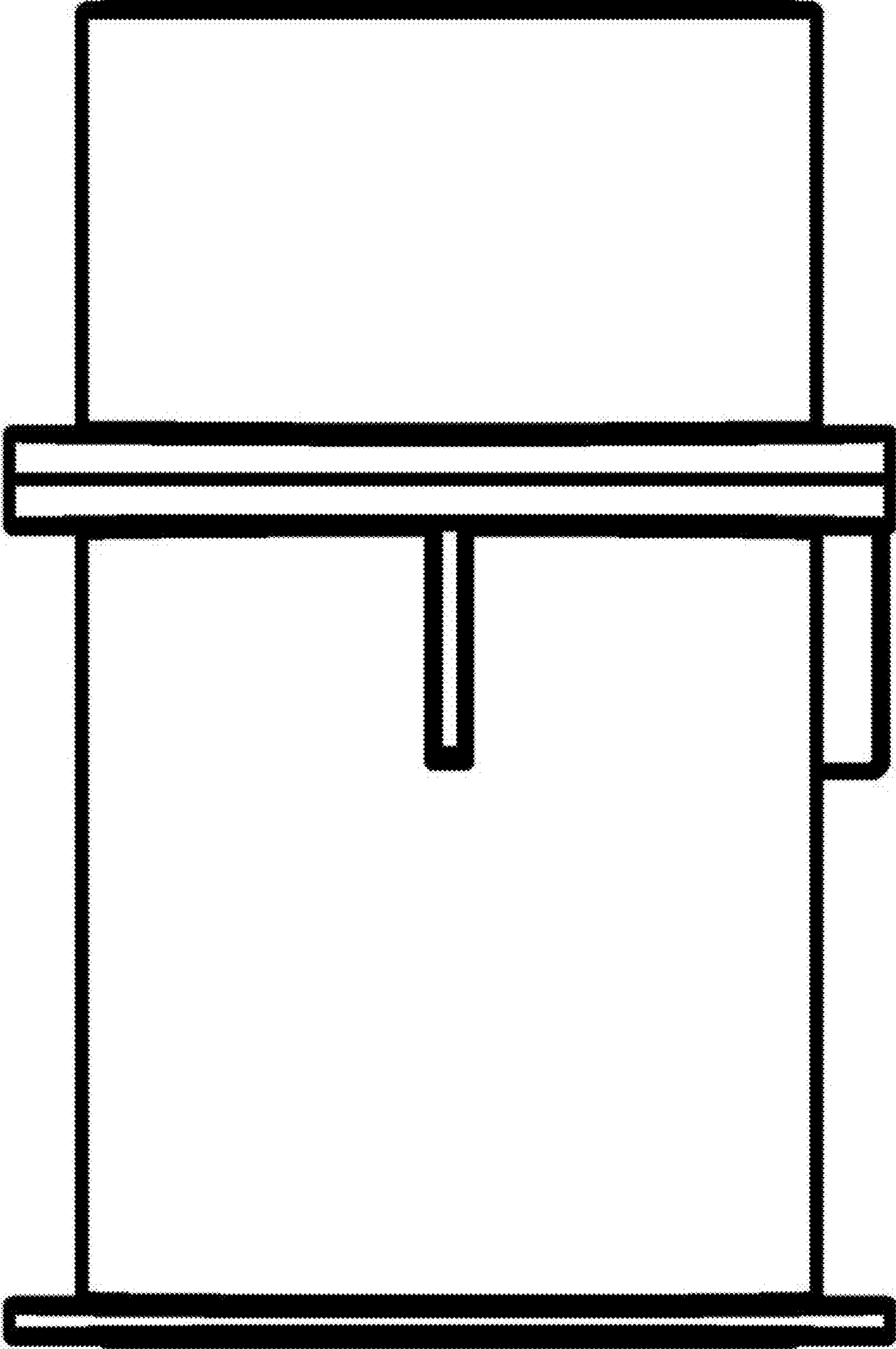
1.3



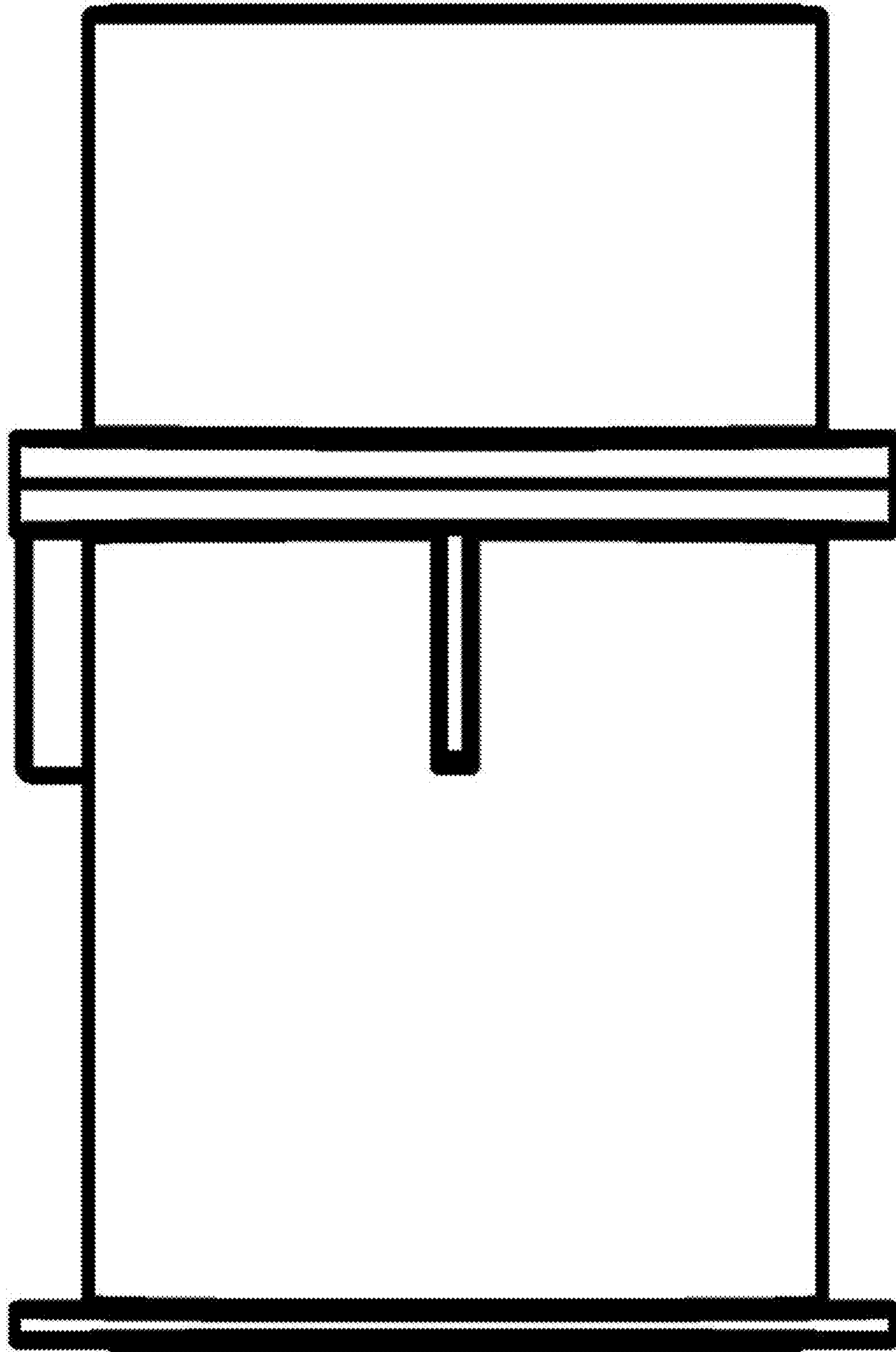
1.4



1.5



1.6



1.7

