



US00D856139S

(12) **United States Design Patent** (10) **Patent No.:** **US D856,139 S**
Sarna, II et al. (45) **Date of Patent:** **** Aug. 13, 2019**

(54) **SPRAY NOZZLE**
(71) Applicants: **Peter Christopher Sarna, II**, Concord, CA (US); **Gary Dimondana**, San Ramon, CA (US)
(72) Inventors: **Peter Christopher Sarna, II**, Concord, CA (US); **Gary Dimondana**, San Ramon, CA (US)

D588,454 S * 3/2009 Sweeton D9/448
D632,175 S * 2/2011 Tu D9/448
D636,668 S * 4/2011 Maddy D9/434
D653,947 S * 2/2012 Arminak D9/448
D655,163 S * 3/2012 Keny D9/448
D662,816 S * 7/2012 Notarianni D9/448
D685,268 S * 7/2013 Gill D9/448
D715,648 S * 10/2014 Kistler D9/448
2016/0228899 A1 * 8/2016 Gonzalez B05B 11/3084

(**) Term: **15 Years**

(21) Appl. No.: **29/619,400**

(22) Filed: **Sep. 28, 2017**

(51) **LOC (12) Cl.** **09-07**

(52) **U.S. Cl.**
USPC **D9/448**

(58) **Field of Classification Search**
USPC D6/515, 530, 542-545; D7/387, 392, D7/392.1, 397, 398, 401.1, 589, 590; D8/14.1; D9/434-436, 439, 440, 443, D9/447-450, 454, 499, 682, 685-691, D9/694; D21/720; D23/208, 213, 252, D23/255, 321; D28/76, 91.1
CPC ... B05B 11/3059; B05B 11/3001; B05B 7/32; F04B 9/14; F04B 23/023; F23D 11/24
See application file for complete search history.

(56) **References Cited**

U.S. PATENT DOCUMENTS

D314,507 S * 2/1991 Brabeck D9/553
D321,315 S * 11/1991 Halm D9/685
5,062,549 A * 11/1991 Smith B05B 11/0059
222/377
D400,102 S * 10/1998 Tada D9/448
D409,915 S * 5/1999 Durliat D9/448
D523,337 S * 6/2006 Yang D9/448
D532,299 S * 11/2006 Kuo D9/448
D578,886 S * 10/2008 Sokol D9/448

OTHER PUBLICATIONS

Walmart. Impact 32 oz. Clear Trigger Spray Bottle. 2018 [earliest online date], [site visited May 24, 2018]. Available from Internet, <URL:https://www.walmart.com/ip/IMPACT-32-oz-Clear-Trigger-Spray-Bottle-5032WG-7906DZ-91/47056656>. (Year: 2018).*

* cited by examiner

Primary Examiner — George D. Kirschbaum
Assistant Examiner — Darcey E Gottschalk
(74) *Attorney, Agent, or Firm* — Herbert T. Patty, Esq.

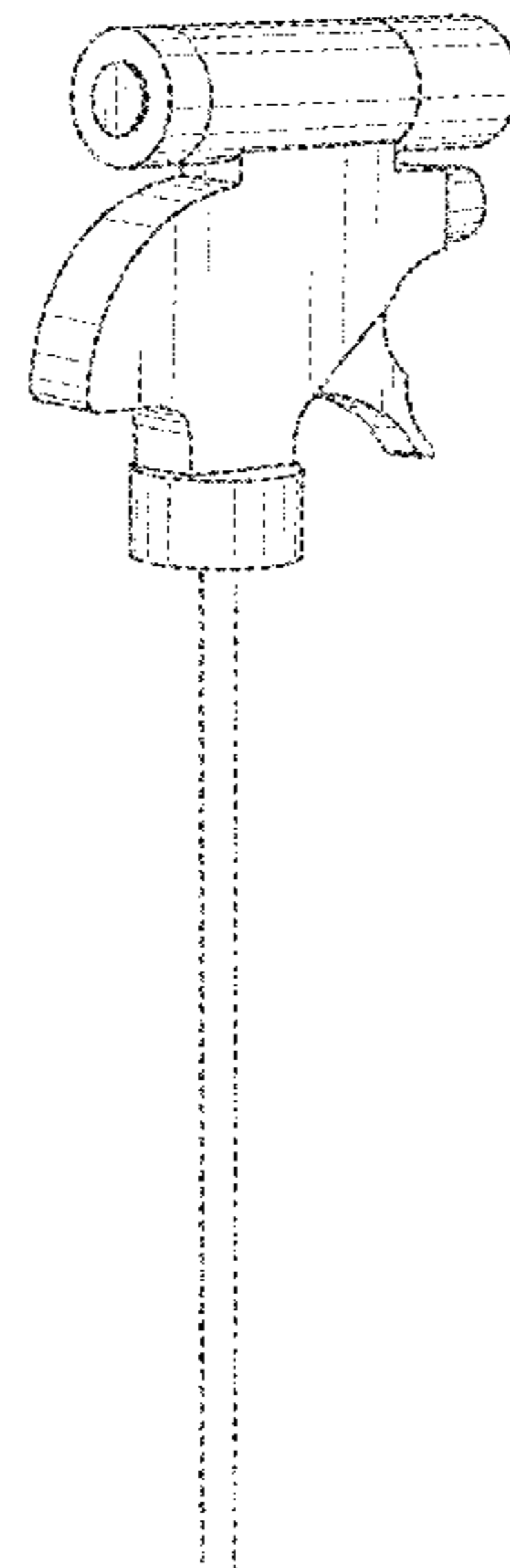
(57) **CLAIM**

The ornamental design for a spray nozzle, as shown and described.

DESCRIPTION

FIG. 1 is a perspective view of a spray nozzle in accordance with the present design;
FIG. 2 is a front view thereof;
FIG. 3 is a back view thereof;
FIG. 4 is a right side view thereof;
FIG. 5 is a left side view thereof;
FIG. 6 is a top view thereof; and,
FIG. 7 is a bottom view thereof.
The broken lines in the drawings depict environmental subject matter only and form no part of the claimed design.

1 Claim, 7 Drawing Sheets



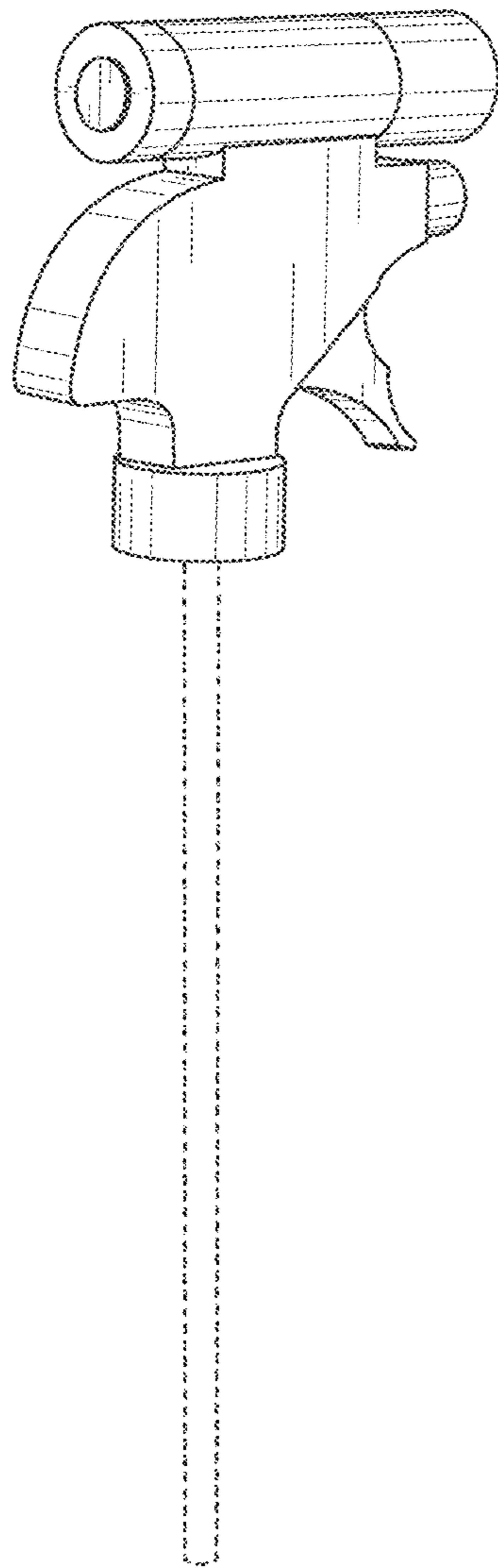


FIG. 1

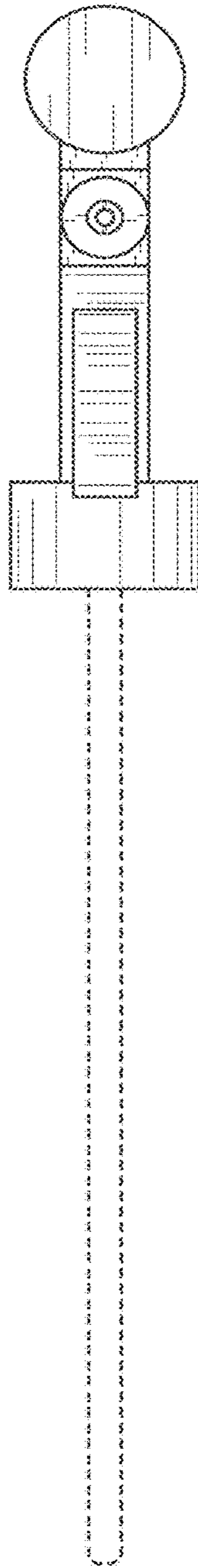


FIG. 2

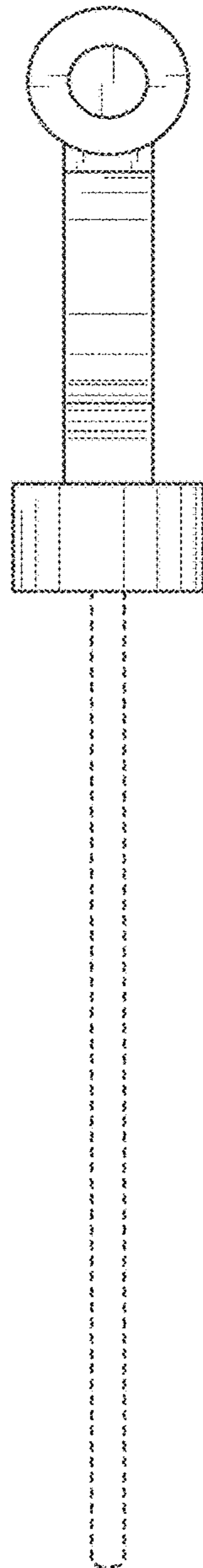


FIG. 3

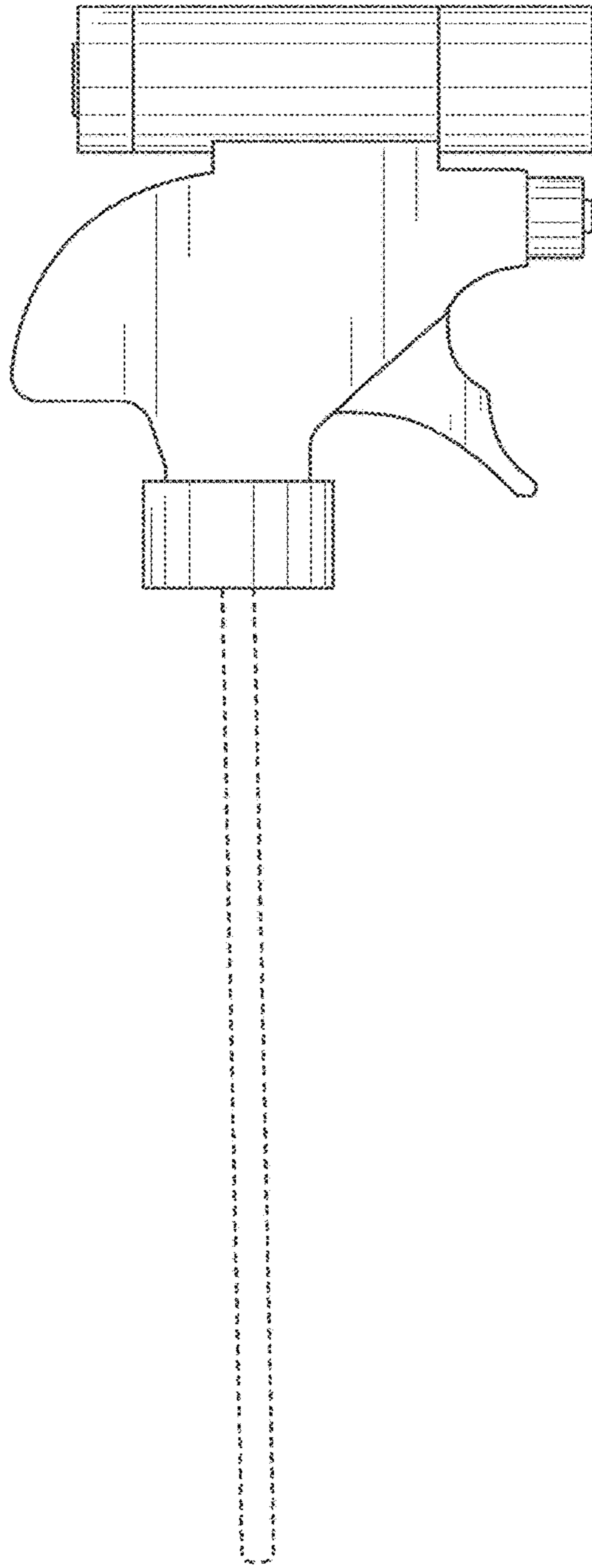


FIG. 4

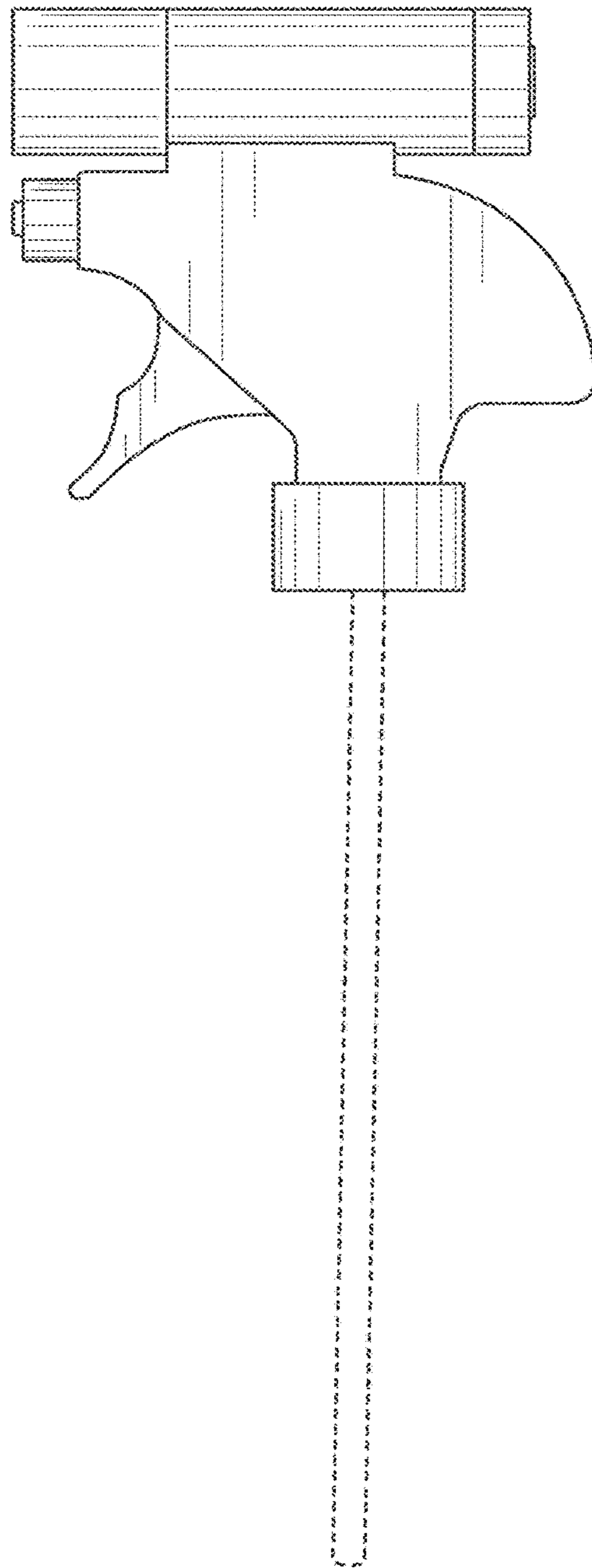


FIG. 5

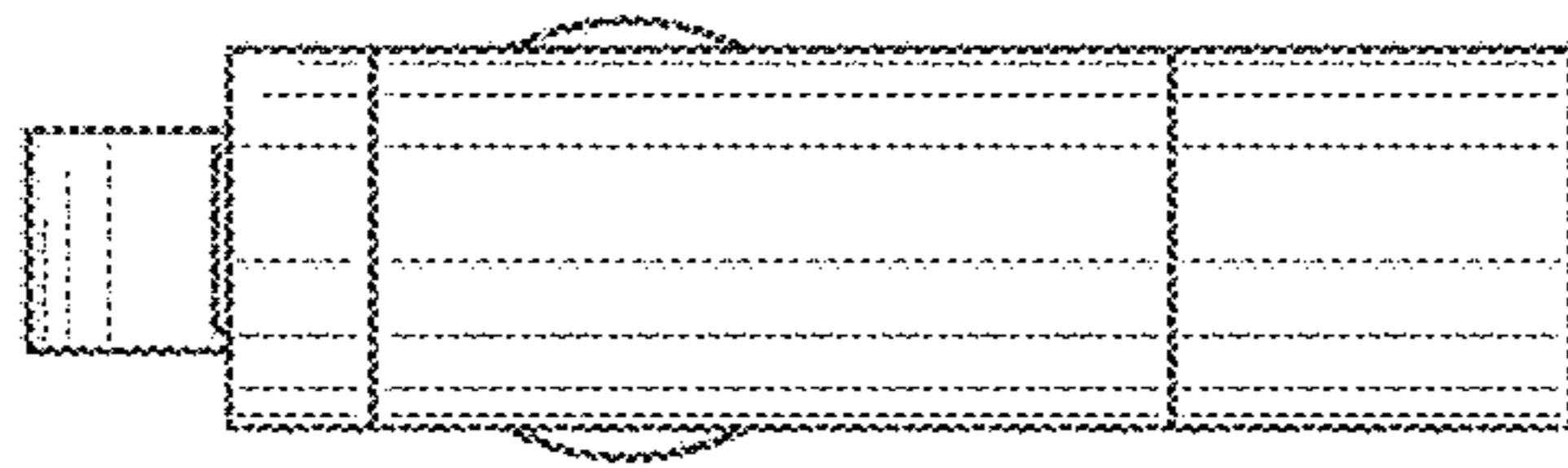


FIG. 6

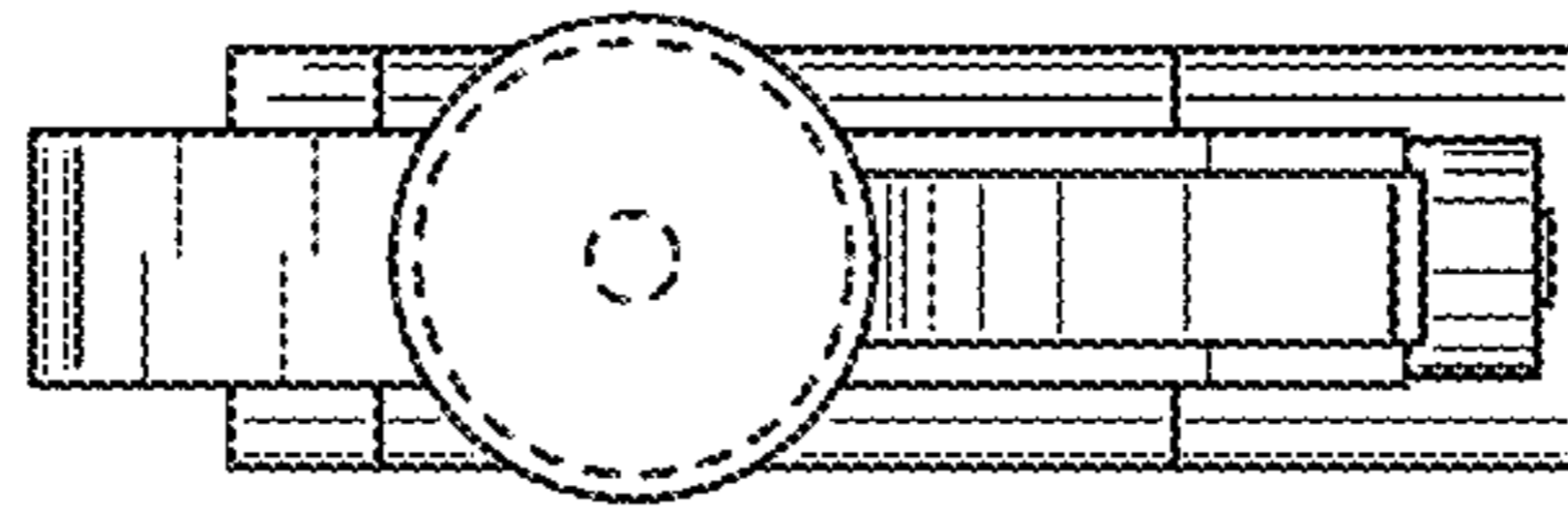


FIG. 7