



US00D856138S

(12) **United States Design Patent** (10) **Patent No.:** **US D856,138 S**  
**Biesecker, II et al.** (45) **Date of Patent:** **\*\* Aug. 13, 2019**

(54) **CAP**  
(71) Applicant: **Drug Plastics & Glass Company, Inc.**,  
Boyertown, PA (US)  
(72) Inventors: **Frederick N. Biesecker, II**, Boyertown,  
PA (US); **Nathaniel Koller**, Boyertown,  
PA (US); **Bruce T. Cleevly**,  
Boyertown, PA (US); **Douglas S.**  
**Camomile**, Boyertown, PA (US)  
(73) Assignee: **Drug Plastics & Glass Company, Inc.**,  
Boyertown, PA (US)  
(\*\*) Term: **15 Years**  
(21) Appl. No.: **29/632,651**  
(22) Filed: **Jan. 9, 2018**  
(51) **LOC (12) Cl.** ..... **09-07**  
(52) **U.S. Cl.**  
USPC ..... **D9/443**  
(58) **Field of Classification Search**  
USPC ..... D9/414, 416, 425, 434, 435, 436, 438,  
D9/439, 440, 442, 443, 446-450,  
D9/452-457, 499, 503-505, 682, 685,  
D9/686; D7/387, 391, 392, 392.1, 393,  
D7/394, 396.1-396.4, 401.1, 503-505,  
D7/509-511, 538, 900; D3/201, 202,  
D3/203.2, 318; D28/91, 91.1  
CPC .. A61J 1/00; A61J 1/1412; B65D 1/00; B65D  
1/02; B65D 1/10; B65D 1/46; B65D  
2585/56; B65D 2585/545; B65D 41/00;  
B65D 41/38; B65D 41/56; B65D 41/62;  
B65D 47/00; B65D 47/06; B65D 47/08;  
B65D 2543/00046; B65D 2543/00092;  
B65D 2543/00296; B65D 5/46; B65D  
2251/00  
See application file for complete search history.

(56) **References Cited**

U.S. PATENT DOCUMENTS

D310,786 S *	9/1990	Lay .....	D9/435
D399,743 S *	10/1998	Coon .....	D9/443
5,941,404 A *	8/1999	Charrette .....	B65D 41/04 215/305
D473,466 S	4/2003	Biesecker	
D476,563 S *	7/2003	Brozell .....	D9/435
D481,640 S	11/2003	Biesecker	
D481,948 S *	11/2003	Brozell .....	D9/443
D495,599 S	9/2004	Biesecker	
D503,886 S	4/2005	Biesecker	
D586,213 S *	2/2009	Wells .....	D9/453
D597,840 S	8/2009	Biesecker et al.	
D611,346 S	3/2010	Camomile	
D618,099 S	6/2010	Biesecker et al.	
D621,705 S *	8/2010	Breckan .....	D9/443
D621,706 S *	8/2010	Breckan .....	D9/443
D621,707 S *	8/2010	Breckan .....	D9/443
D622,591 S	8/2010	Biesecker et al.	

(Continued)

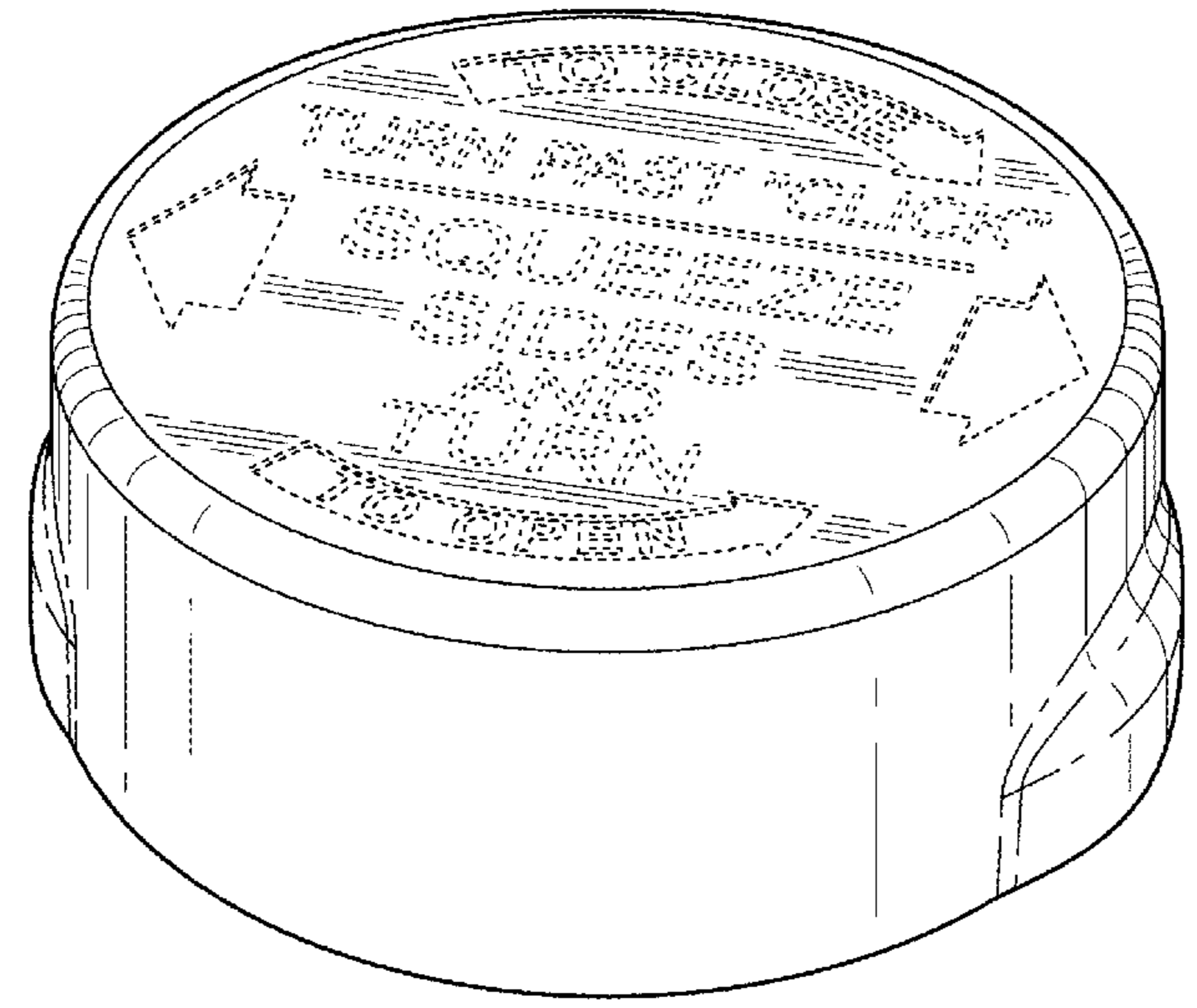
*Primary Examiner* — Michael A. Pratt  
*Assistant Examiner* — Wendy L Arminio  
(74) *Attorney, Agent, or Firm* — Panitch Schwarze  
Belisario & Nadel LLP

(57) **CLAIM**  
The ornamental design for a cap, as shown and described.

**DESCRIPTION**

FIG. 1 is a top perspective view of a cap in accordance with our new design;  
FIG. 2 is a top plan view thereof;  
FIG. 3 is a front elevational view thereof, a rear elevational view being a mirror image thereof;  
FIG. 4 is a right-side elevational view thereof, a left-side elevational view being a mirror image thereof; and,  
FIG. 5 is a bottom plan view thereof.  
The broken lines depict portions of the cap that form no part of the claimed design.

**1 Claim, 3 Drawing Sheets**



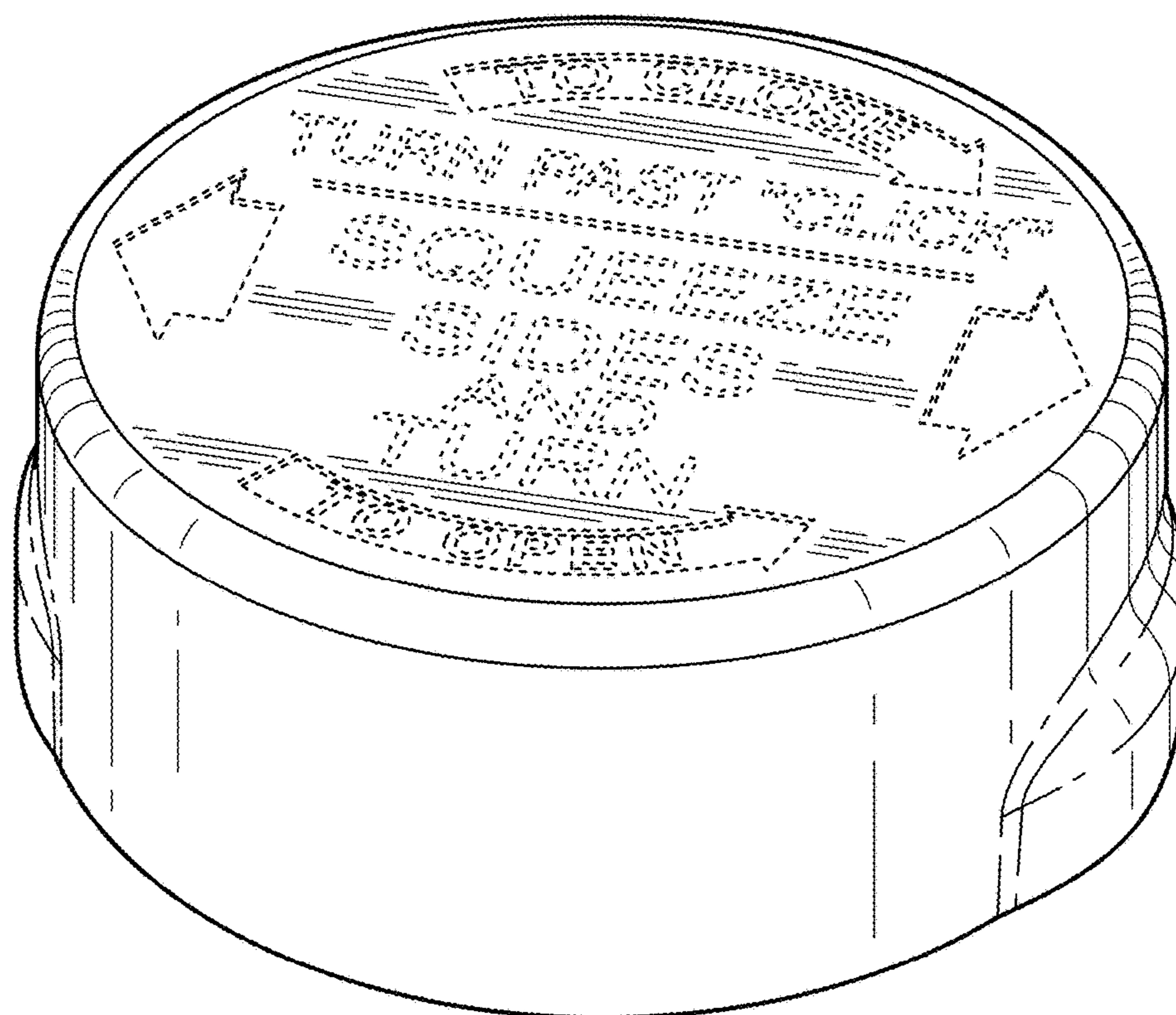
(56)

**References Cited**

U.S. PATENT DOCUMENTS

D623,518	S	9/2010	Camomile	
D657,673	S	4/2012	Biesecker	
D657,674	S	4/2012	Biesecker	
D666,495	S	9/2012	Biesecker et al.	
D674,697	S	1/2013	Biesecker et al.	
8,777,032	B2	7/2014	Biesecker et al.	
9,187,220	B2	11/2015	Biesecker et al.	
D779,324	S *	2/2017	Martini .....	D9/443
D783,402	S *	4/2017	Martini .....	D9/434
D829,098	S *	9/2018	Gallagher .....	D9/443
2012/0325768	A1	12/2012	Biesecker et al.	
2013/0097973	A1 *	4/2013	McCoy .....	B65D 1/02 53/467

\* cited by examiner



**FIG. 1**

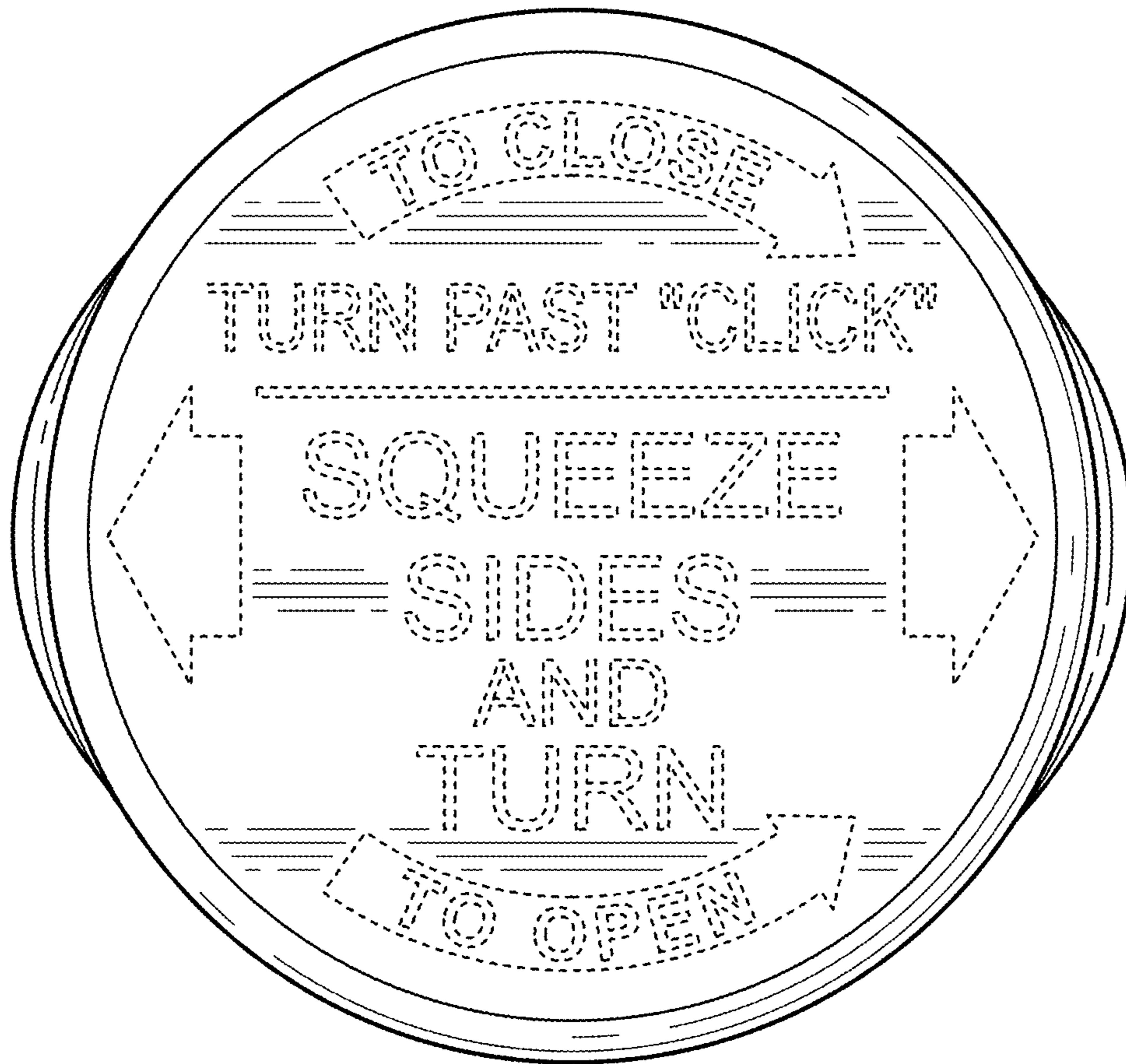


FIG. 2

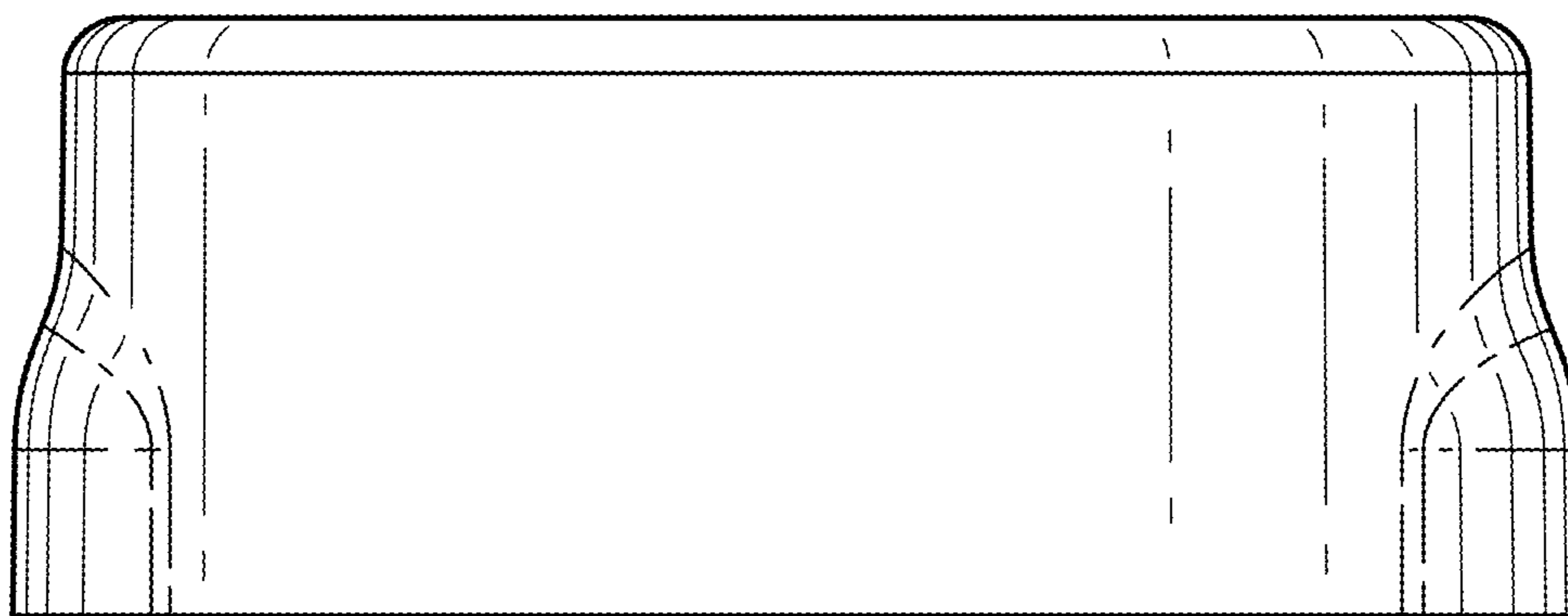
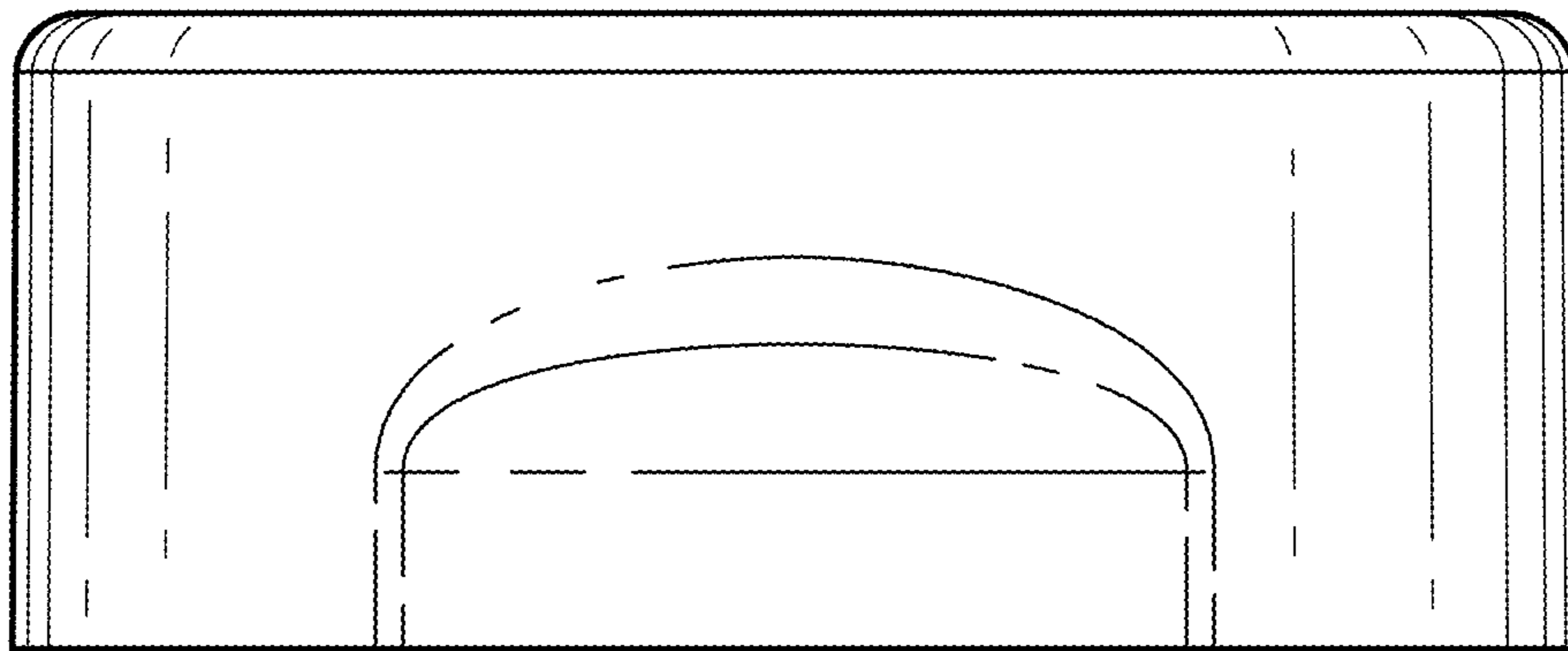
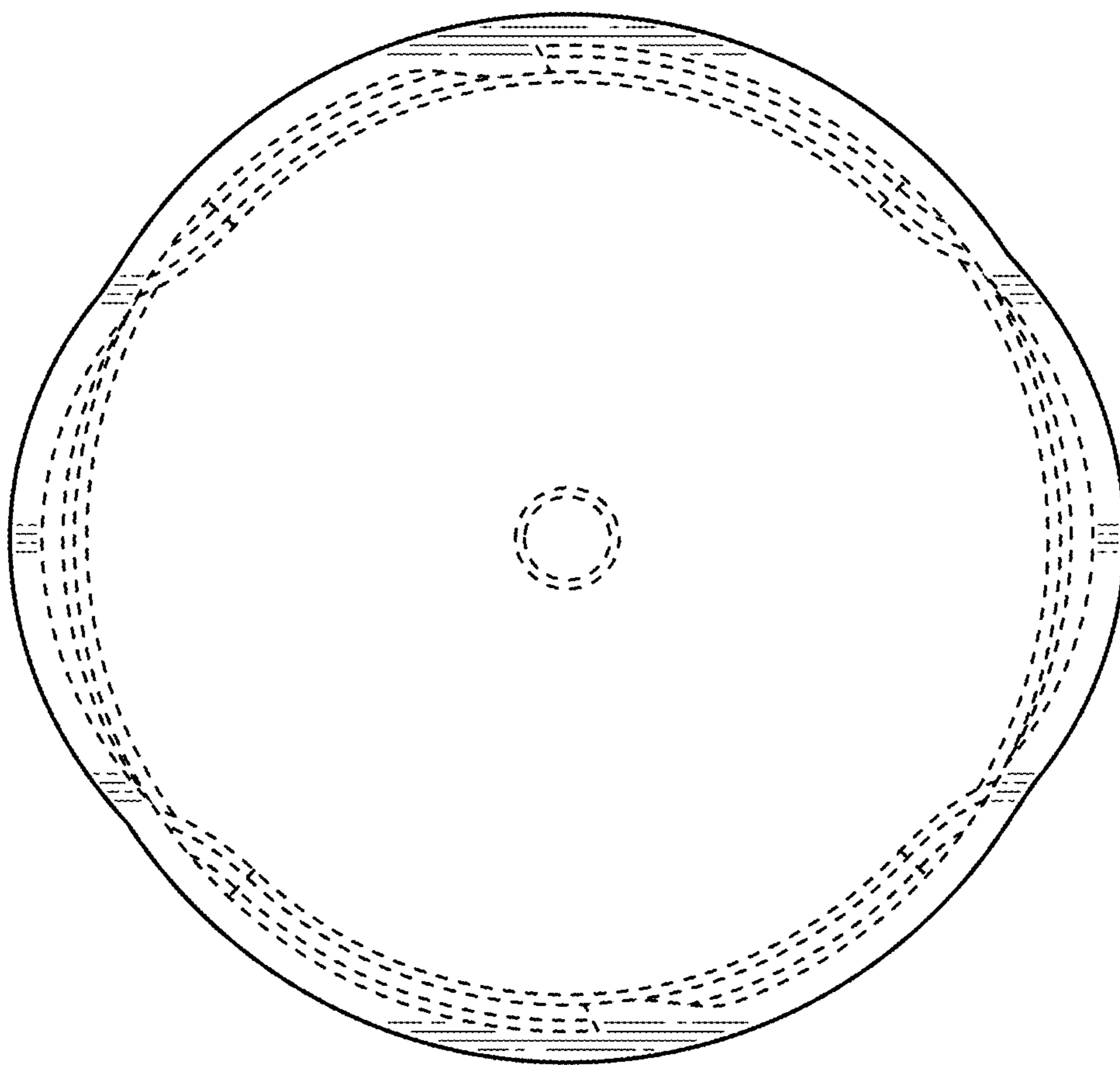


FIG. 3



**FIG. 4**



**FIG. 5**