



US00D856130S

(12) **United States Design Patent** (10) **Patent No.:** **US D856,130 S**  
**Wang** (45) **Date of Patent:** **\*\* Aug. 13, 2019**

(54) **PACKING CASE**  
(71) Applicants: **MASTERPIECE HARDWARE INDUSTRIAL CO., LTD.**, Lugang Township, Changhua County (TW); **Rick Wang**, Lugang Township, Changhua County (TW)

(72) Inventor: **Rick Wang**, Lugang Township, Changhua County (TW)

(73) Assignees: **MASTERPIECE HARDWARE INDUSTRIAL CO., LTD.**, Changhua County (TW); **Rick Wang**, Changhua County (TW)

D281,580 S \* 12/1985 Stevens ..... D9/415  
D305,000 S \* 12/1989 Hernandez ..... D9/415  
D338,619 S \* 8/1993 Mylander ..... D9/415  
D383,386 S \* 9/1997 Loubach ..... D9/415  
D422,412 S \* 4/2000 Greene ..... D3/201  
D446,014 S \* 8/2001 Adkins ..... D3/302  
D495,246 S \* 8/2004 Tomassetti ..... D9/415  
D503,334 S \* 3/2005 Keating ..... D9/415  
D531,798 S \* 11/2006 Ringo ..... D3/273  
D584,607 S \* 1/2009 Ajootian ..... D9/415  
D615,858 S \* 5/2010 Prevost ..... D9/415  
D632,955 S \* 2/2011 Smith, III ..... D9/415  
D800,545 S \* 10/2017 Burton ..... A45D 40/26  
D801,169 S \* 10/2017 Mack ..... D9/415  
D821,749 S \* 7/2018 Nilsson ..... D3/302

\* cited by examiner

(\*\*) Term: **15 Years**

*Primary Examiner* — Jennifer Rivard  
*Assistant Examiner* — April Rivas

(21) Appl. No.: **29/625,513**

(22) Filed: **Nov. 9, 2017**

(51) **LOC (12) Cl.** ..... **09-03**

(52) **U.S. Cl.**  
USPC ..... **D9/415; D3/905**

(58) **Field of Classification Search**  
USPC ..... D3/201, 203.6, 205, 203.1, 232, 259, D3/260, 273, 272, 276, 279, 282, 284, D3/302, 294, 900, 905, 904; D9/414, D9/418, 430, 432, 433, 415; D32/53  
CPC .... B25H 3/00; B25H 3/02; A45C 5/00; A45C 5/04; A45C 5/08; A45C 2011/007; A45C 11/00  
See application file for complete search history.

(56) **References Cited**

**U.S. PATENT DOCUMENTS**

D248,543 S \* 7/1978 Stelcheck ..... D9/415  
D266,742 S \* 11/1982 Claxton ..... D18/12

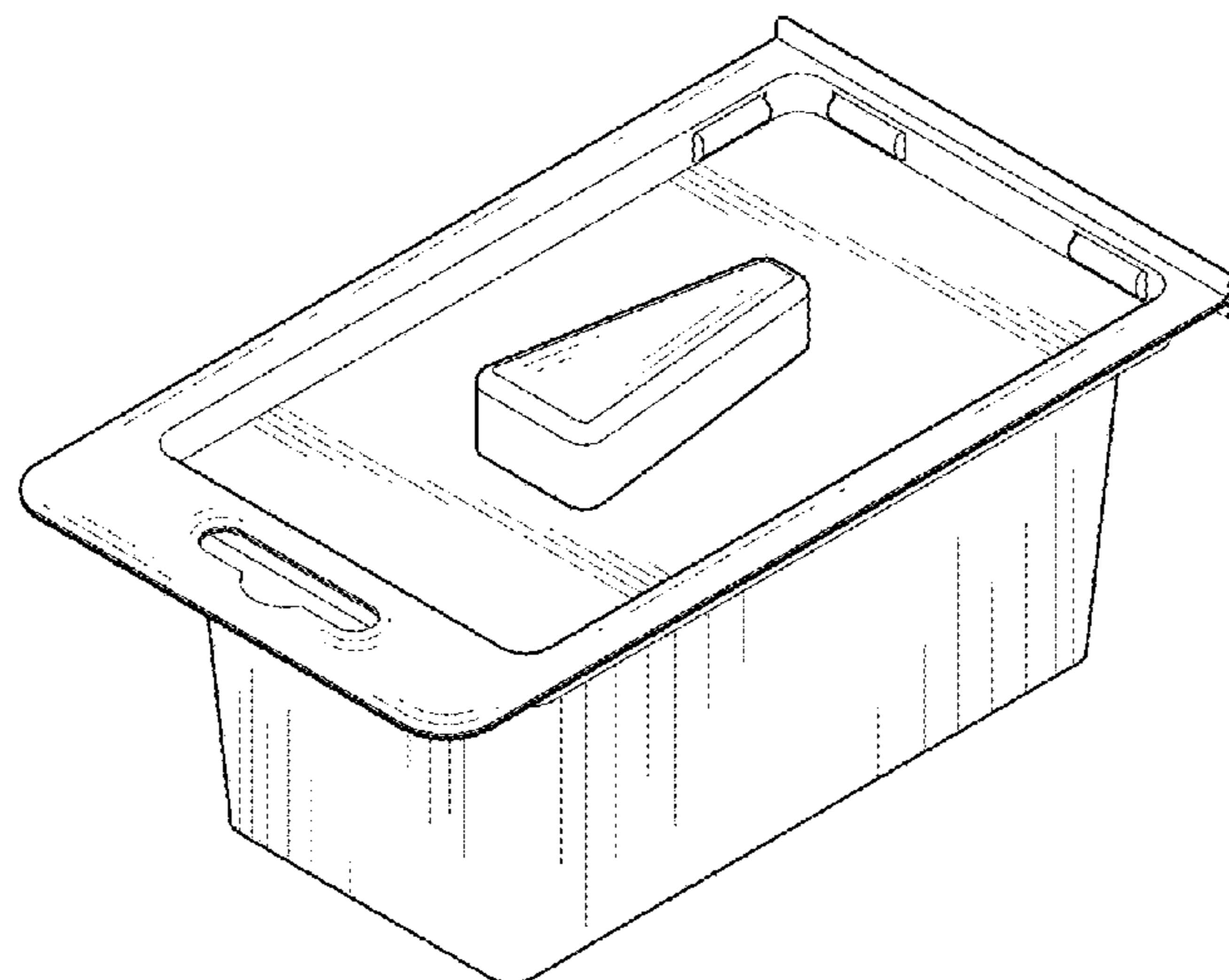
(57) **CLAIM**

The ornamental design for a packing case, as shown and described.

**DESCRIPTION**

FIG. 1 is a perspective view of a packing case showing my new design;  
FIG. 2 is a front elevational view thereof;  
FIG. 3 is a rear elevational view thereof;  
FIG. 4 is a left side elevational view thereof;  
FIG. 5 is a right side elevational view thereof;  
FIG. 6 is a top plan view thereof; and,  
FIG. 7 is a bottom plan view thereof.  
The broken lines illustrate portions of the packing case and form no part of the claimed design.

**1 Claim, 4 Drawing Sheets**



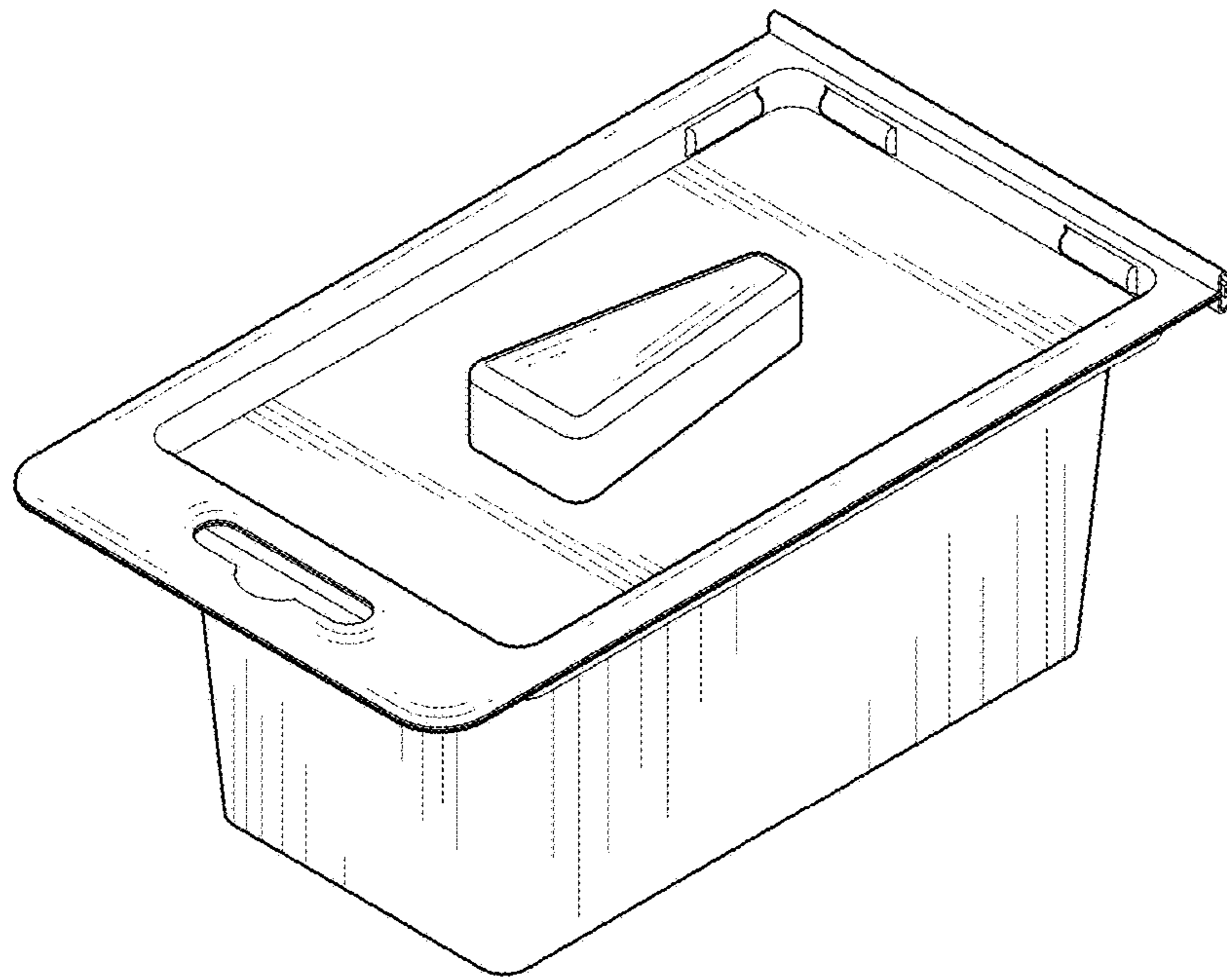


FIG.1

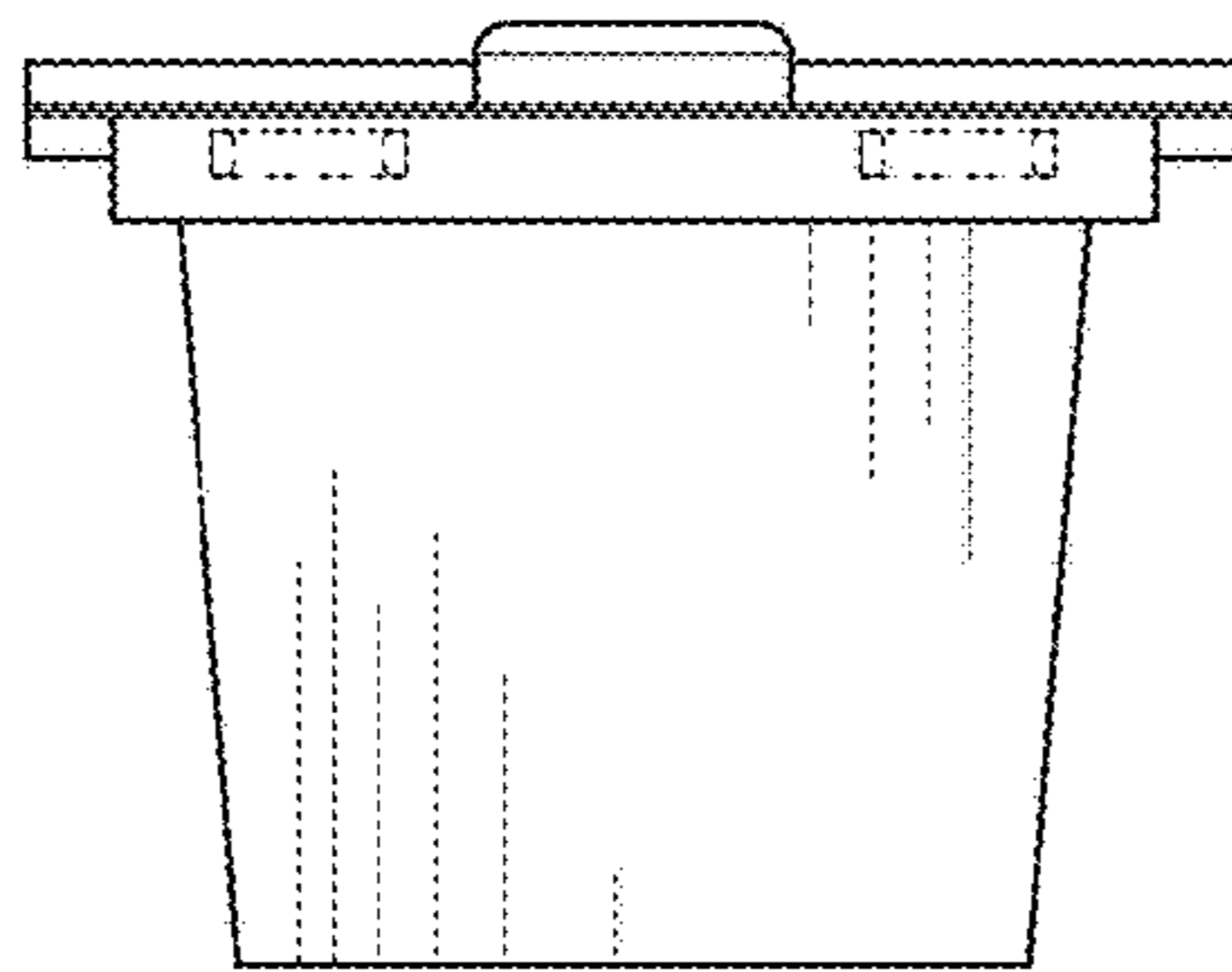


FIG.2

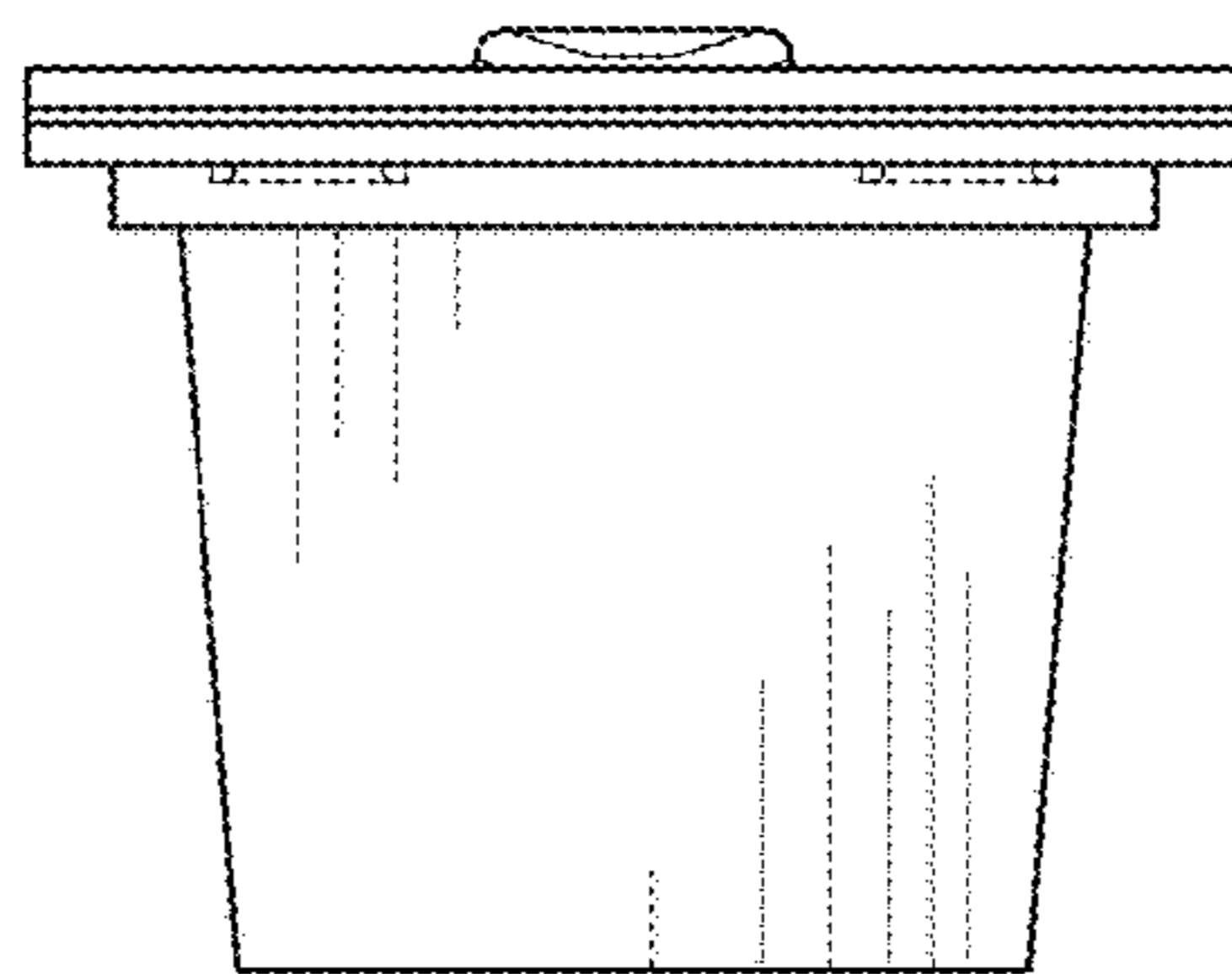


FIG.3

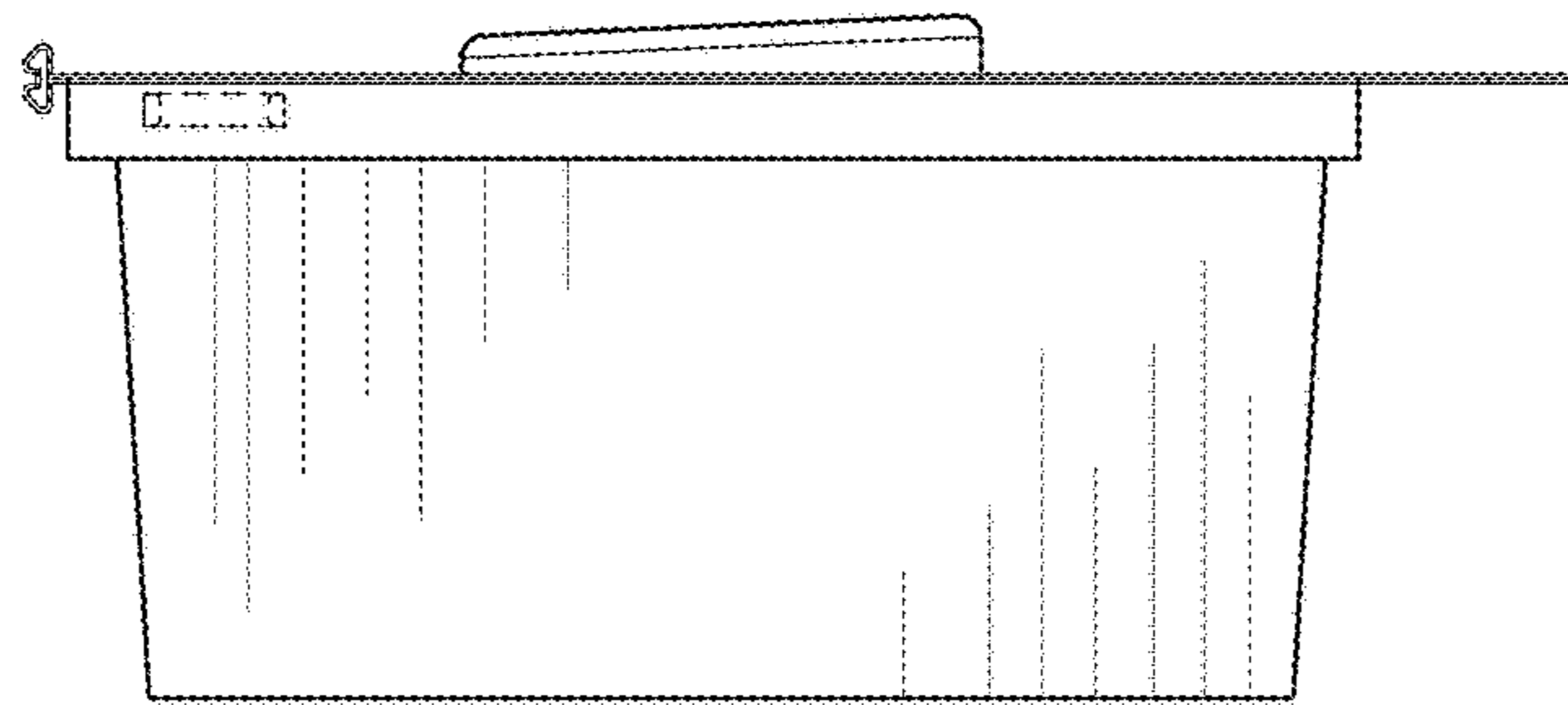


FIG.4

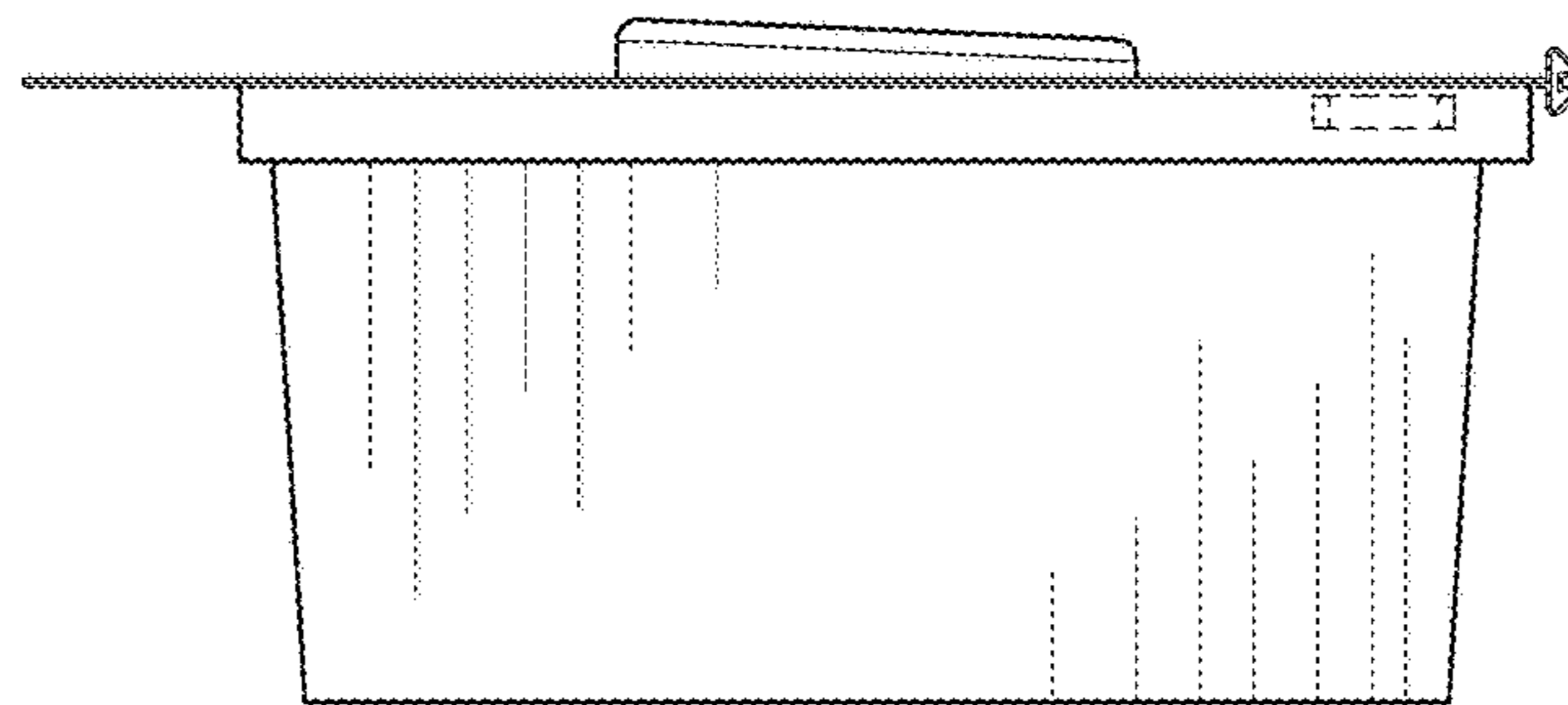


FIG.5

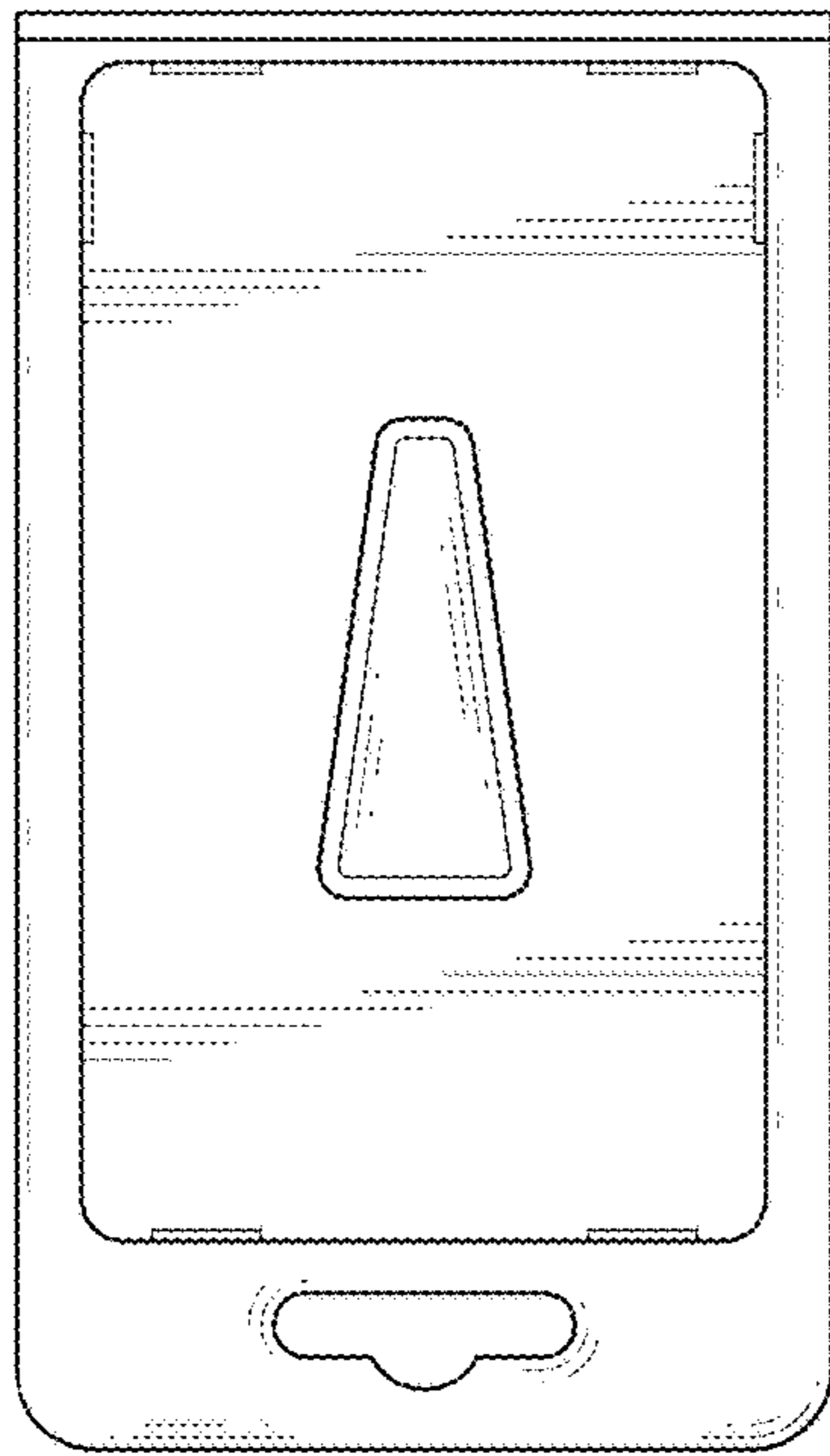


FIG. 6

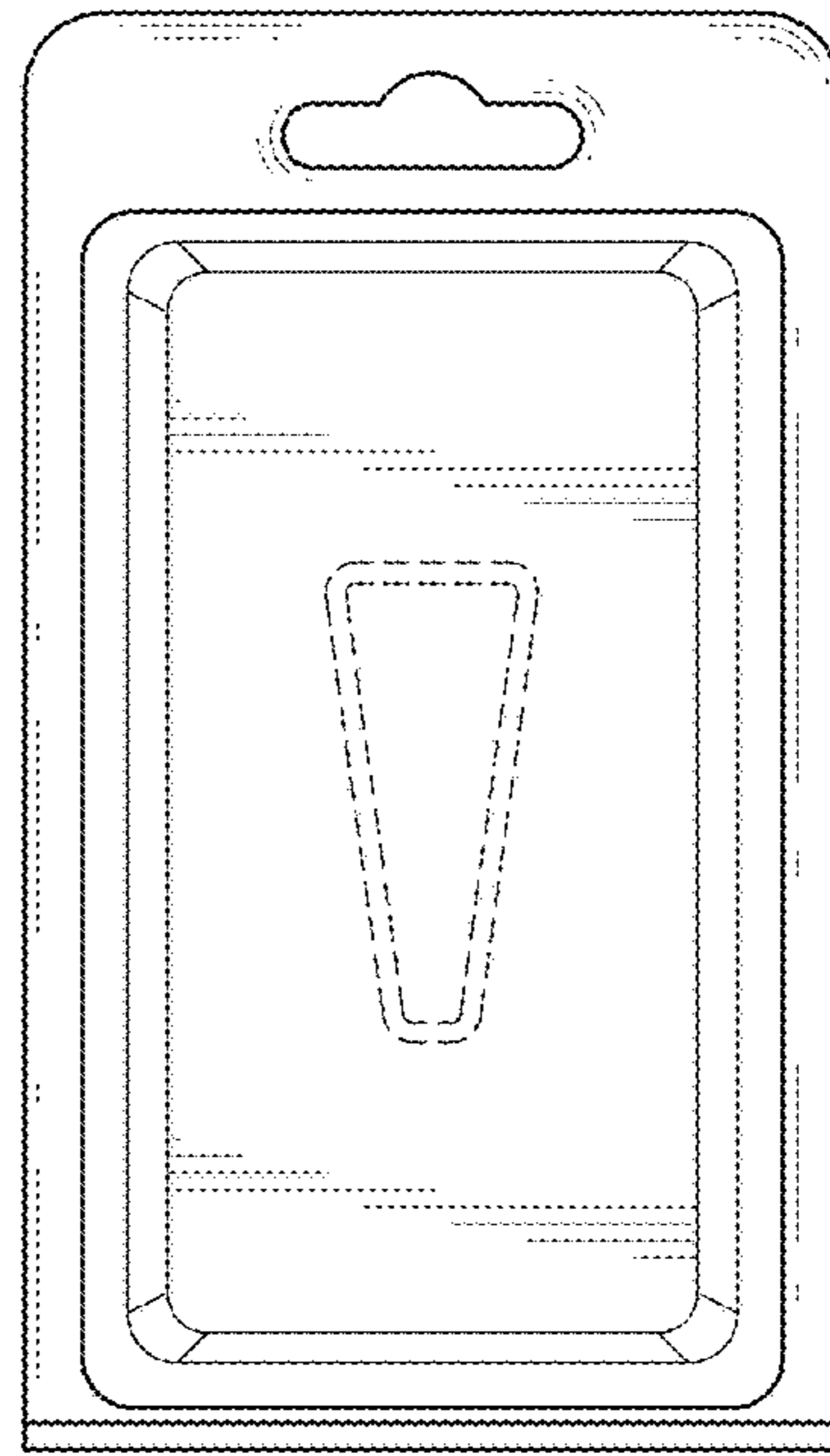


FIG. 7