

US00D856127S

(12) **United States Design Patent** (10) **Patent No.:** **US D856,127 S**  
**Pistone** (45) **Date of Patent:** **\*\* \*Aug. 13, 2019**

- (54) **HINGED DOOR STOP**
- (71) Applicant: **John C. Pistone**, Davie, FL (US)
- (72) Inventor: **John C. Pistone**, Davie, FL (US)
- (\*) Notice: This patent is subject to a terminal disclaimer.
- (\*\*) Term: **15 Years**
- (21) Appl. No.: **29/559,521**
- (22) Filed: **Mar. 29, 2016**
- (51) **LOC (12) Cl.** ..... **08-09**
- (52) **U.S. Cl.**  
USPC ..... **D8/402**
- (58) **Field of Classification Search**  
USPC ..... D8/349, 354, 355, 373, 380, 382, 383,  
D8/394, 396, 336, 402; D13/118, 149,  
D13/154; D32/72; 292/DIG. 15, 338  
CPC ..... E05C 17/443  
See application file for complete search history.

(56) **References Cited**

U.S. PATENT DOCUMENTS

2,497,697	A	2/1950	Smith	
2,964,780	A	12/1960	Blankenship	
3,137,026	A	6/1964	Flam	
3,244,443	A	4/1966	Rodgers	
D214,870	S *	8/1969	Malone	D8/336
3,484,891	A	12/1969	Borgen	
3,791,687	A	2/1974	Schroeder	
3,989,286	A	11/1976	Cleff	
D257,123	S	9/1980	Farmer, Jr.	
4,494,784	A *	1/1985	Haynes	E05C 17/443 16/82
4,641,869	A *	2/1987	Johnson	E05C 19/004 292/339
D303,625	S *	9/1989	Ryser	D8/336
5,241,790	A	9/1993	Schimpf	
5,282,658	A *	2/1994	Reeves, Jr.	E05C 17/443 292/338

5,590,918	A	1/1997	Kambalov	
5,944,368	A	8/1999	Hastings	
6,707,360	B2	3/2004	Underwood et al.	
7,012,495	B2	3/2006	Underwood et al.	
D533,447	S *	12/2006	Irie	D8/402

(Continued)

OTHER PUBLICATIONS

Home Depot, Drop Down 4-home Chrome Plated Heavy Duty Diecast Door Stop, Dec. 29, 2015, p. 1, www.homedepot.com.

*Primary Examiner* — Janice Hallmark  
*Assistant Examiner* — Harold E Blackwell, II  
(74) *Attorney, Agent, or Firm* — Robert C. Kain, Jr.

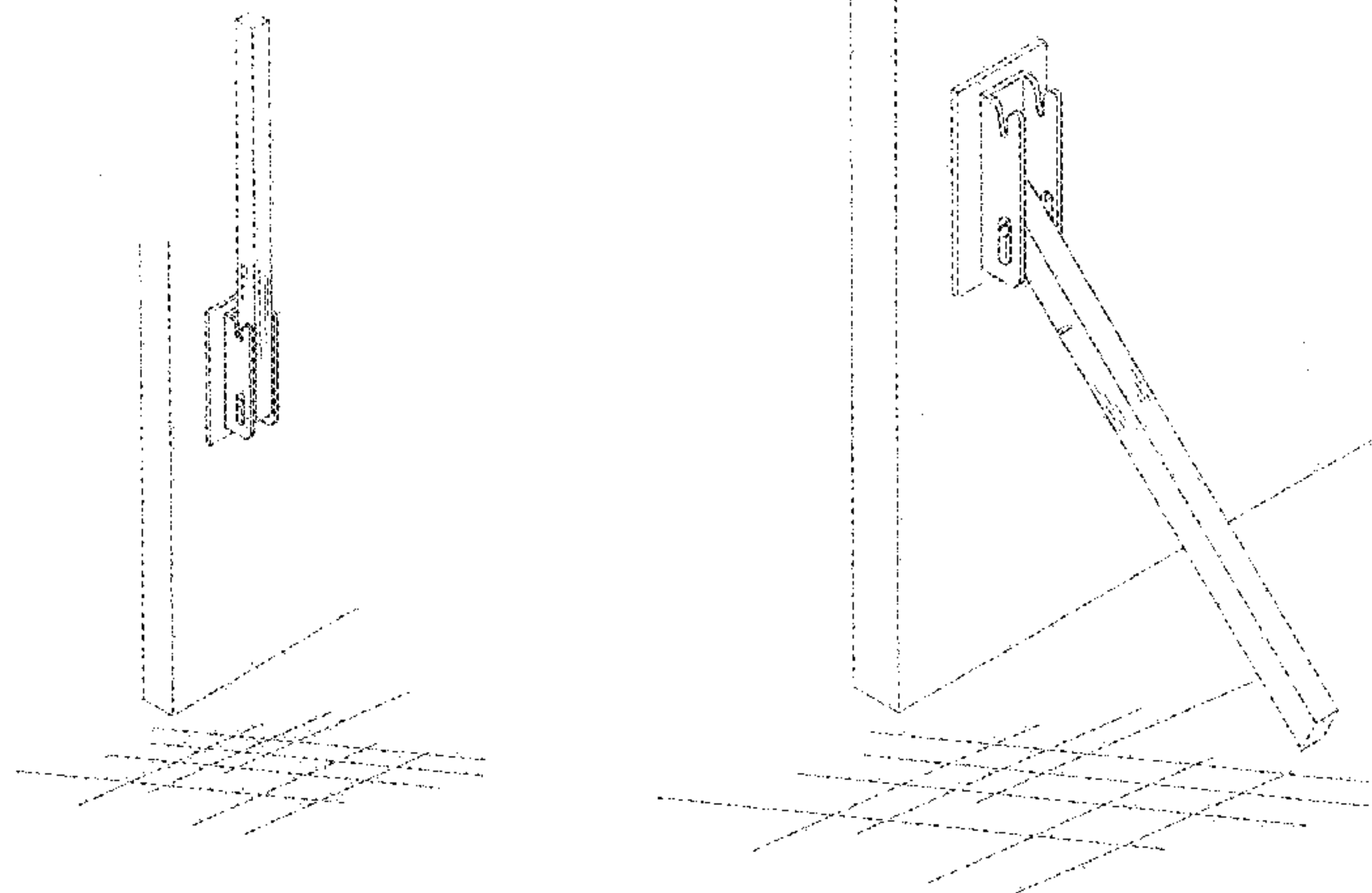
(57) **CLAIM**

I claim the ornamental design for a hinged door stop, as shown and described.

**DESCRIPTION**

FIG. 1 is a perspective view of the hinged door stop. FIG. 2 is a right side view of the hinged door stop shown in FIG. 1. The left side view of the hinged door stop is a mirror image of the right side view. FIG. 3 is a front view of the hinged door stop shown in FIG. 1. FIG. 4 is a rear view of the hinged door stop shown in FIG. 1. FIG. 5 is a top view of the hinged door stop shown in FIG. 1. FIG. 6 is a bottom view of the hinged door stop shown in FIG. 1; and, FIG. 7 is a perspective view of the hinged door stop of FIG. 1 shown in a state of use. The broken lines immediately adjacent shaded and solid line disclosure depict portions of the hinged door stop that form no part of the claimed design. The broken lines depicting parts of a door and flooring illustrate environmental subject matter that forms no part of the claimed design.

**1 Claim, 5 Drawing Sheets**



(56)

**References Cited**

U.S. PATENT DOCUMENTS

D600,109 S *	9/2009	Bravo .....	D8/402
7,690,080 B1	4/2010	Coffman, II	
8,814,230 B2	8/2014	Mullenbach	
8,893,351 B2	11/2014	Payson	
2016/0215538 A1 *	7/2016	Pistone .....	E05C 17/443

\* cited by examiner

FIG. 1

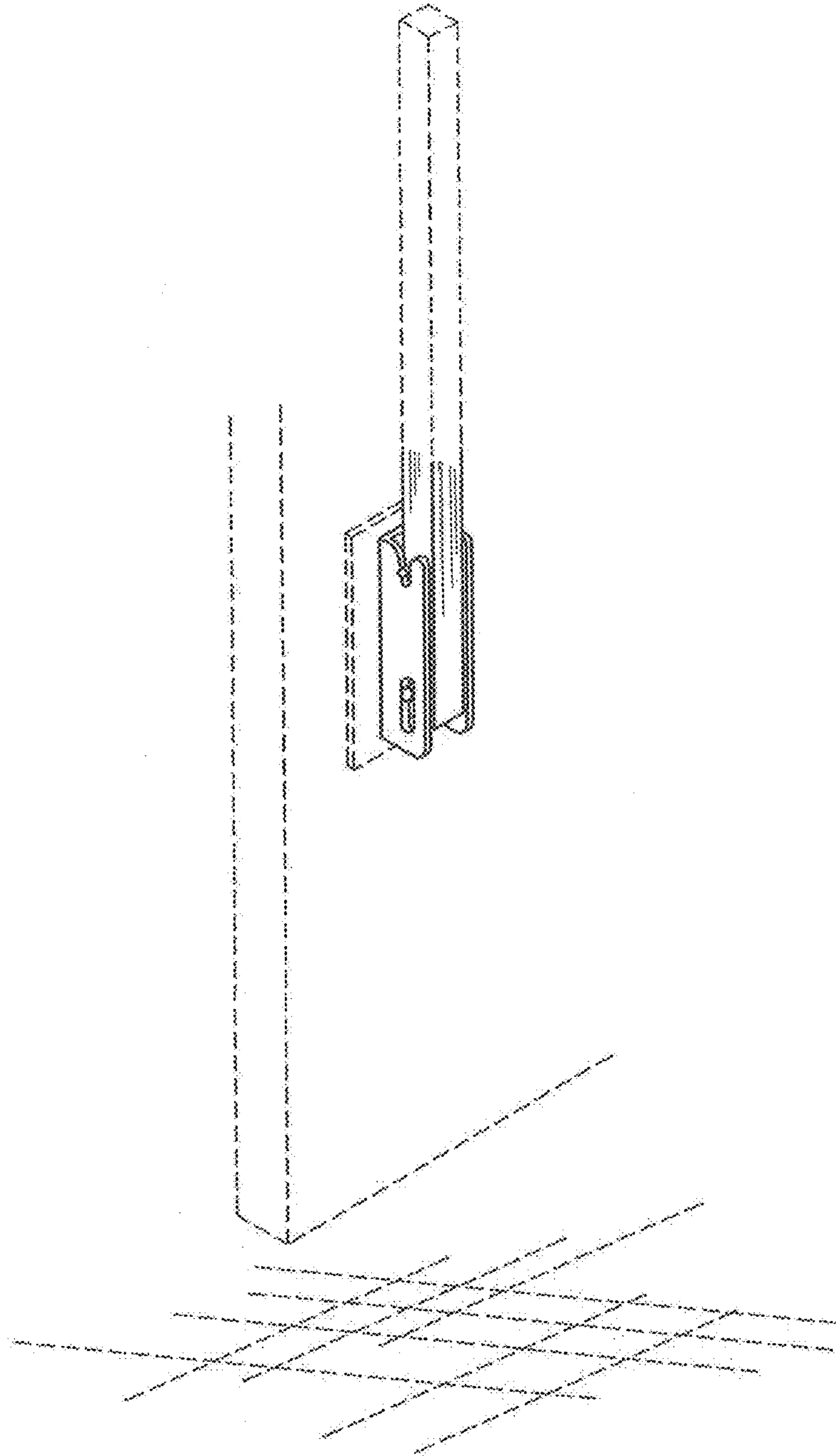
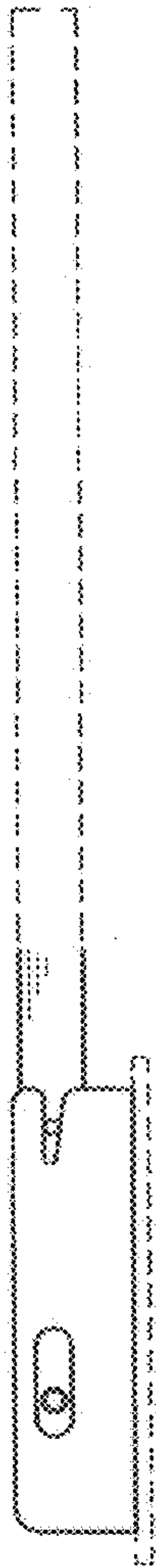
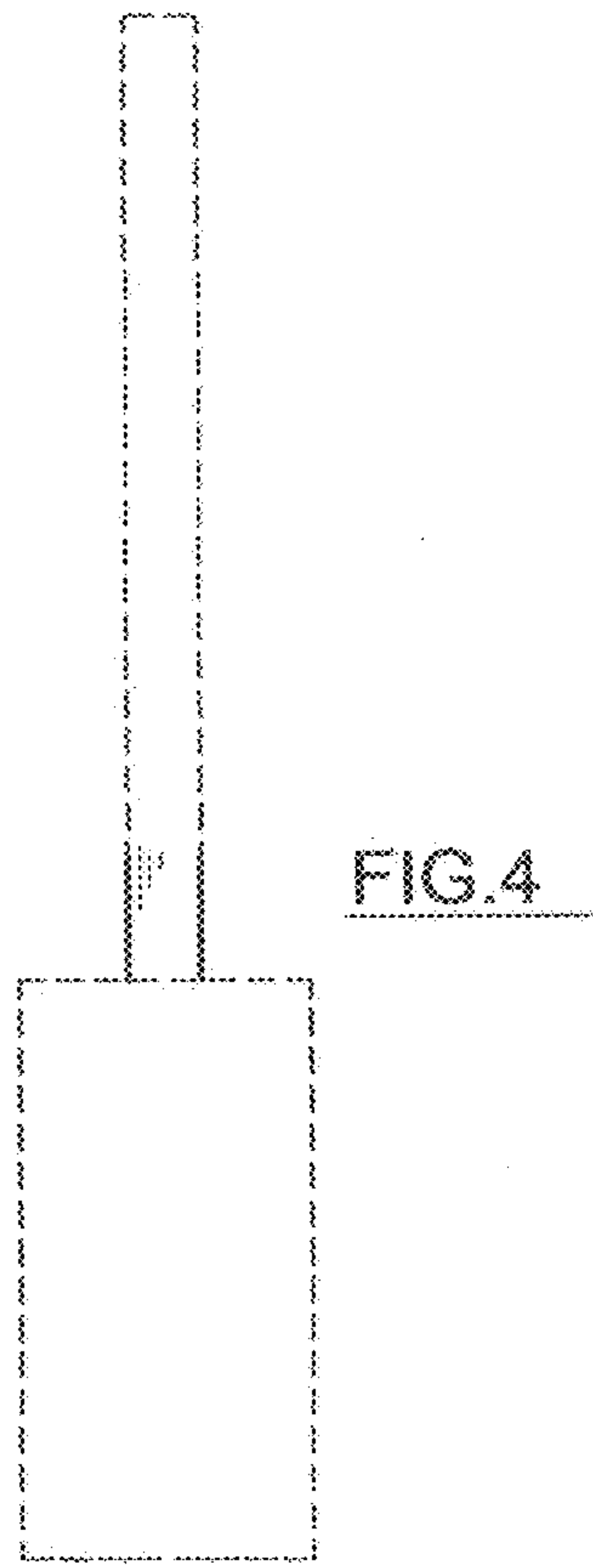
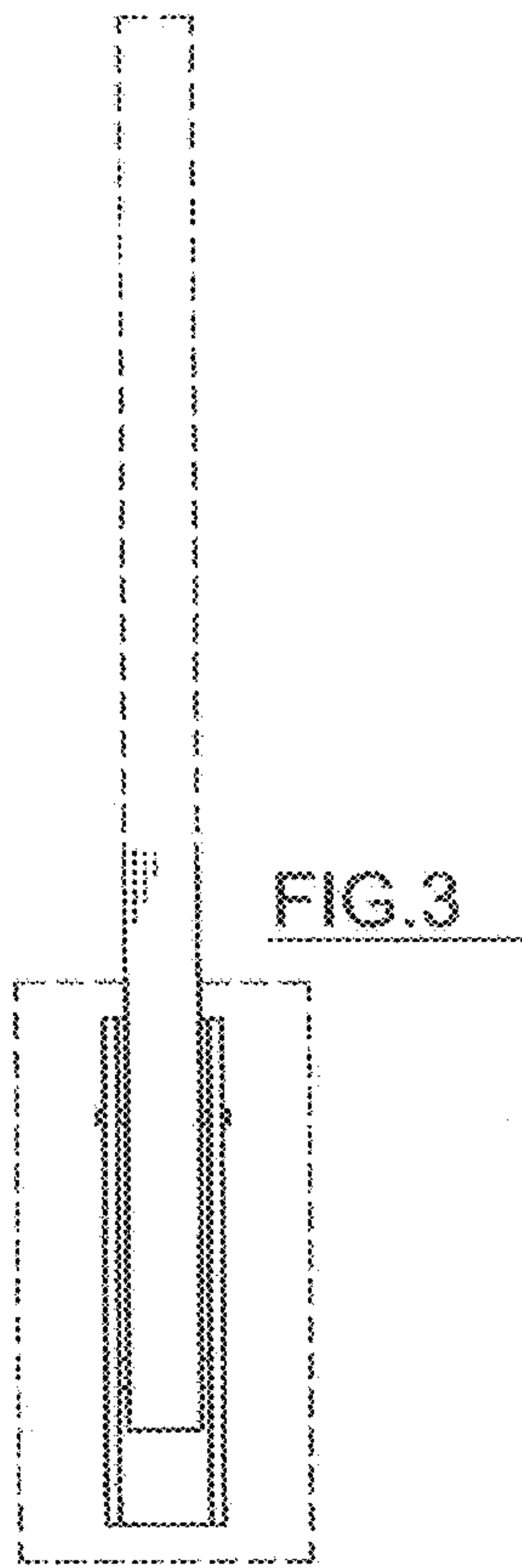


FIG.2





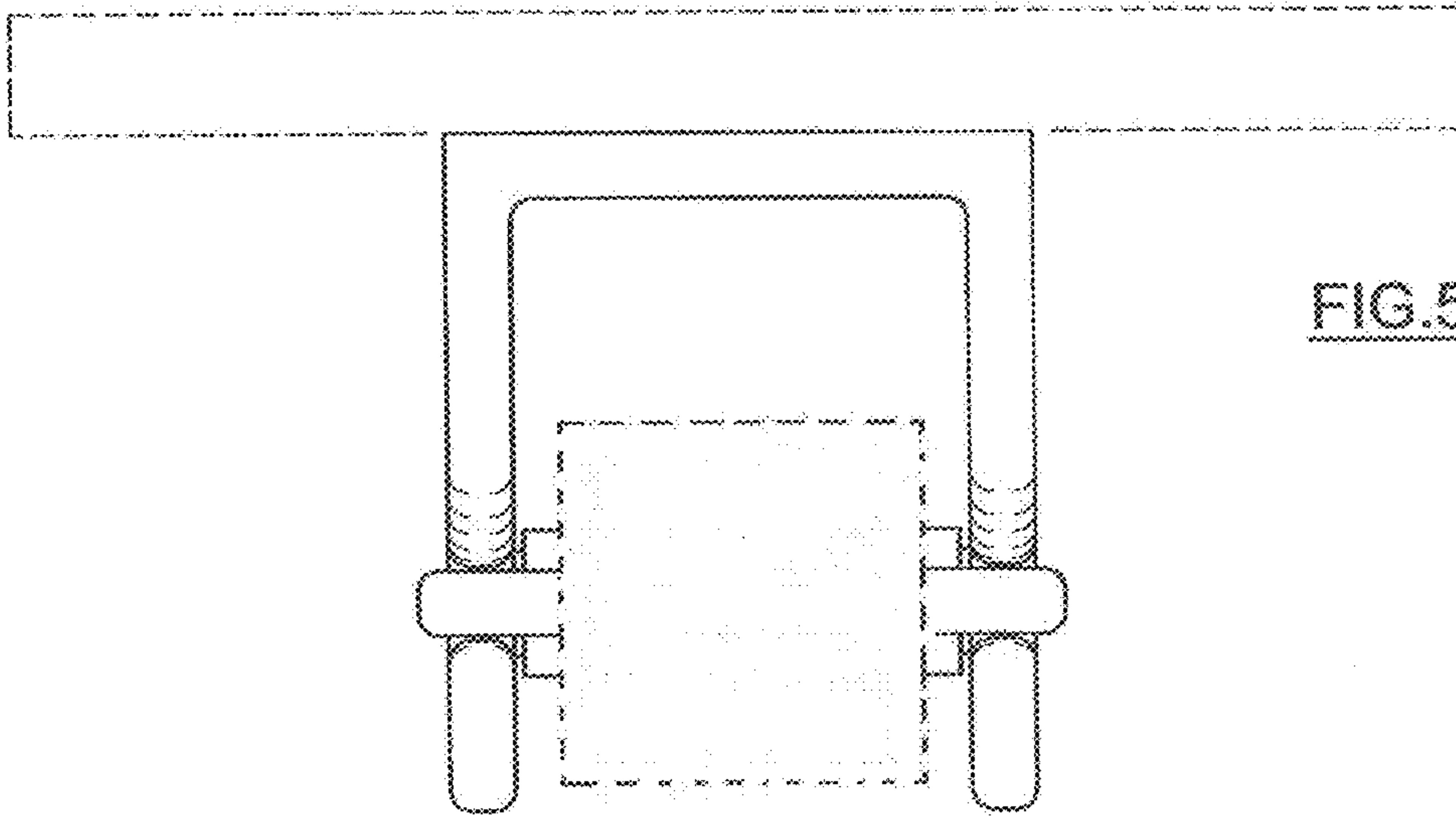


FIG.5

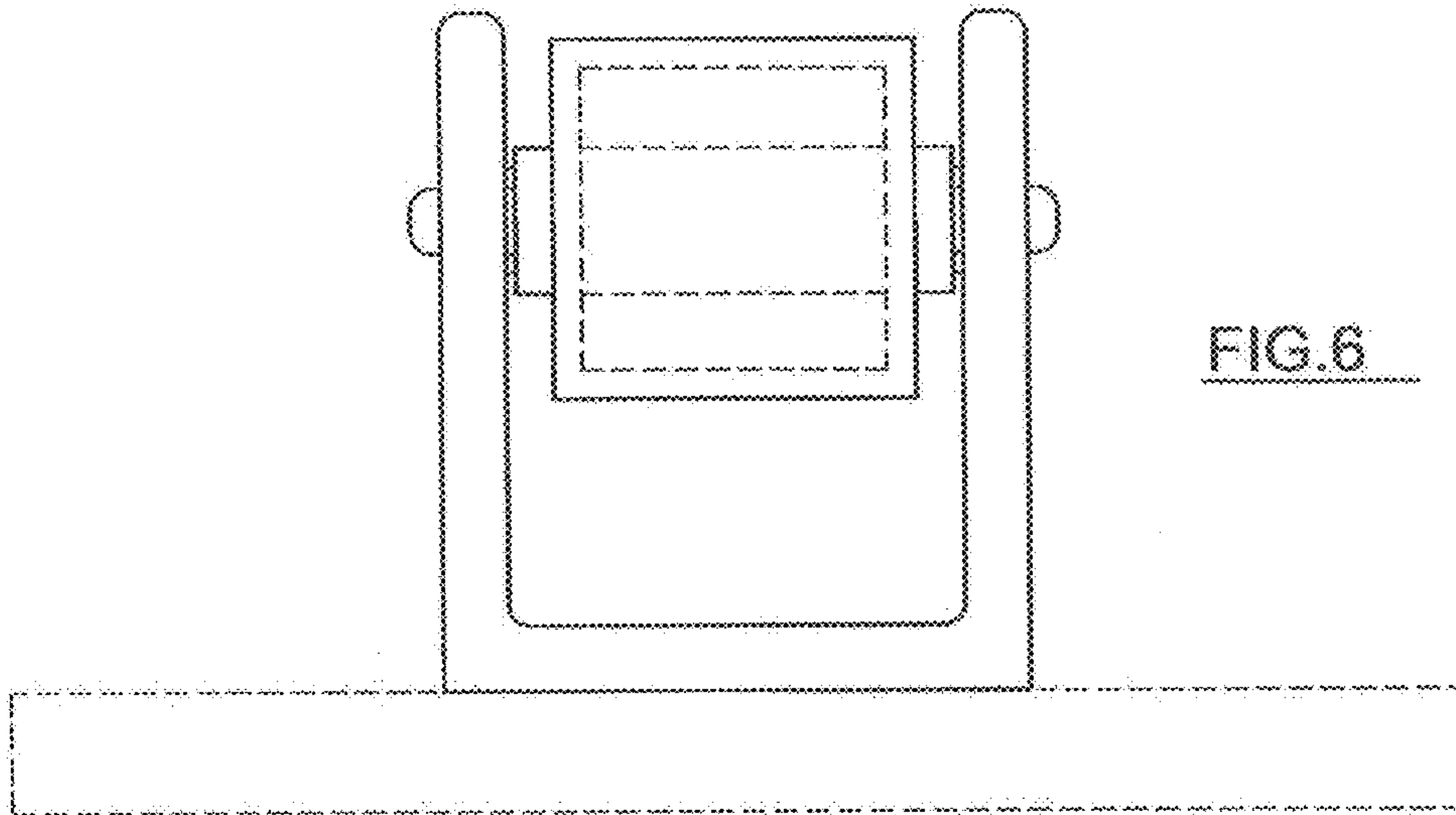


FIG.6



FIG. 7

