



US00D856124S

(12) **United States Design Patent**  
**Jefferson**

(10) **Patent No.:** **US D856,124 S**

(45) **Date of Patent:** **\*\* Aug. 13, 2019**

- (54) **TOOL**
- (71) Applicant: **Bryan Albert Jefferson**, Herne Hill (AU)
- (72) Inventor: **Bryan Albert Jefferson**, Herne Hill (AU)
- (\*\*) Term: **15 Years**
- (21) Appl. No.: **29/614,807**
- (22) Filed: **Aug. 23, 2017**

- 5,943,922 A \* 8/1999 Rolfe ..... B25B 13/5091  
81/124.2
- D426,438 S \* 6/2000 Ciok ..... D8/29
- 6,122,997 A \* 9/2000 Altura ..... B25B 13/48  
81/119
- 6,314,845 B1 \* 11/2001 Wu ..... B23P 19/006  
81/454
- 6,487,942 B1 \* 12/2002 Carter ..... A62C 31/28  
81/367
- D471,085 S \* 3/2003 Markarian ..... D8/400
- 6,626,068 B2 \* 9/2003 McKivigan ..... B25B 13/5091  
81/124.2
- D485,480 S \* 1/2004 Rushe ..... D8/71
- 6,725,747 B2 \* 4/2004 Erwin ..... B25B 13/06  
81/124.2
- D511,293 S \* 11/2005 Anderson ..... D8/354
- D573,453 S \* 7/2008 Buckley ..... D8/382
- D574,203 S \* 8/2008 Quorning ..... D8/29
- D583,224 S \* 12/2008 Holdsworth ..... D8/382

**Related U.S. Application Data**

- (63) Continuation of application No. 14/757,436, filed on Dec. 23, 2015, now Pat. No. 9,770,812, which is a continuation-in-part of application No. PCT/AU2015/000115, filed on Feb. 27, 2015.

- (51) **LOC (12) Cl.** ..... **08-08**
- (52) **U.S. Cl.**  
USPC ..... **D8/396**
- (58) **Field of Classification Search**  
USPC ..... D8/24, 29, 71, 349, 394, 396, 397, 399  
CPC ..... B25B 13/5033; B25B 13/5091; B25B  
13/481; B25B 13/02; B25B 13/06; B25B  
13/48

See application file for complete search history.

(56) **References Cited**

**U.S. PATENT DOCUMENTS**

- 3,837,244 A \* 9/1974 Schera, Jr. .... B25B 13/06  
81/64
- D297,501 S \* 9/1988 Bayer ..... D8/29
- D329,577 S \* 9/1992 Massey ..... D8/29
- 5,455,997 A \* 10/1995 Nasiell ..... B25B 13/481  
29/456
- D379,420 S \* 5/1997 Standlee ..... D8/70
- 5,697,268 A \* 12/1997 Makovsky ..... B25B 13/5091  
81/124.2

(Continued)

*Primary Examiner* — John Windmuller

*Assistant Examiner* — Steven J Czyz

(74) *Attorney, Agent, or Firm* — Rothwell, Figg, Ernst & Manbeck, P.C.

(57) **CLAIM**

The ornamental design for a tool, as shown and described.

**DESCRIPTION**

FIG. 1 is a top perspective view of a tool showing my new design;

FIG. 2 is a bottom perspective view of the design shown in FIG. 1;

FIG. 3 is a left side view of the design shown in FIG. 1

FIG. 4 is a right side view of the design shown in FIG. 1;

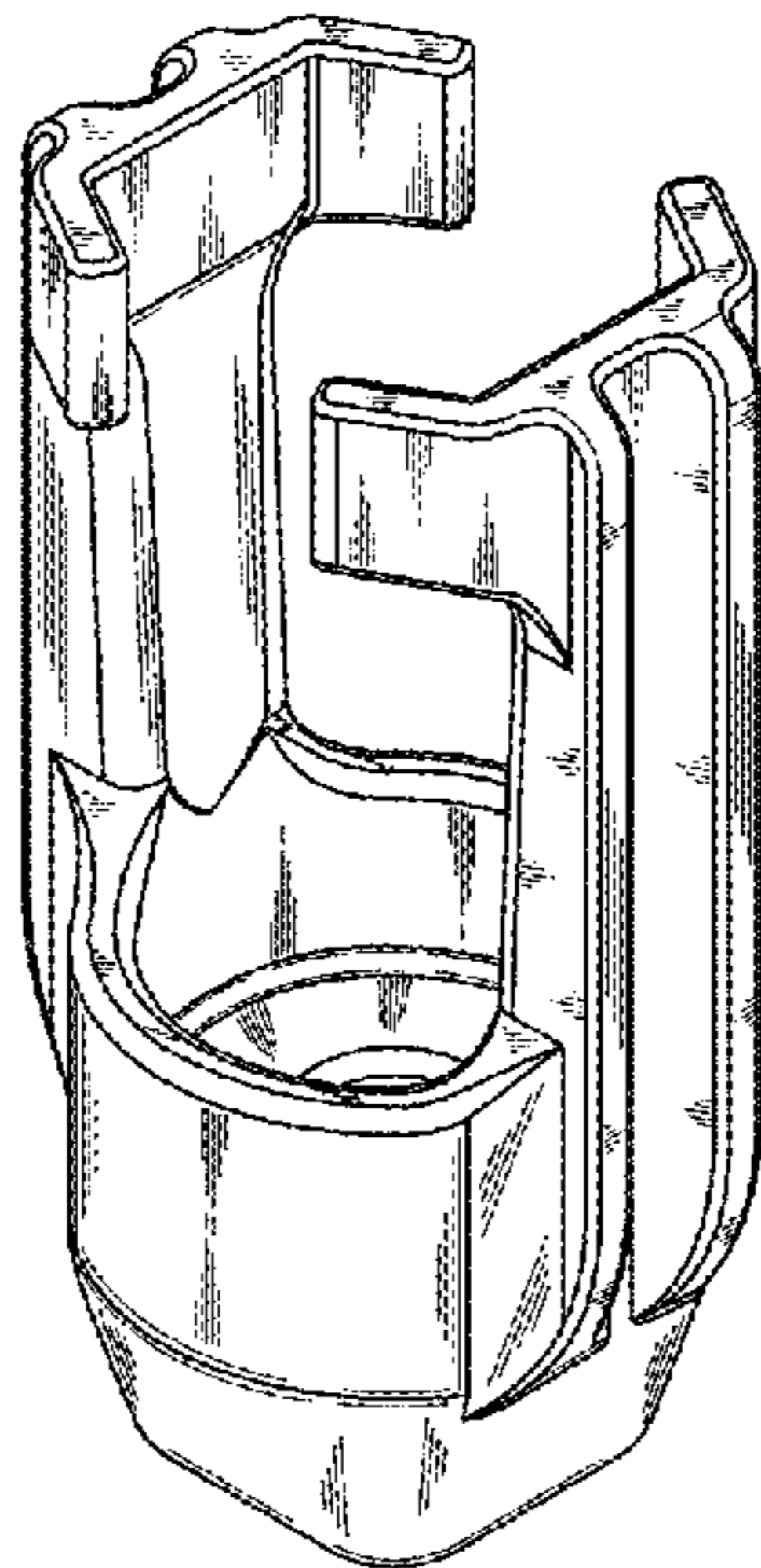
FIG. 5 is a front view of the design shown in FIG. 1;

FIG. 6 is a rear view of the design shown in FIG. 1;

FIG. 7 is a top view of the design shown in FIG. 1; and,

FIG. 8 is a bottom view of the design shown in FIG. 1.

**1 Claim, 2 Drawing Sheets**



(56)

**References Cited**

U.S. PATENT DOCUMENTS

7,802,499	B2 *	9/2010	Stephens .....	B25B 13/5091 81/124.2
D629,820	S *	12/2010	Van Ryswyk .....	D15/139
D633,782	S *	3/2011	Tompkins .....	D8/382
D743,246	S *	11/2015	Levey .....	D8/397
9,770,812	B2 *	9/2017	Jefferson .....	B25B 13/02
D823,082	S *	7/2018	McCutchen .....	D8/21
D832,094	S *	10/2018	Omori .....	D8/397
2016/0114468	A1 *	4/2016	Jefferson .....	B25B 13/02 81/124.2

\* cited by examiner

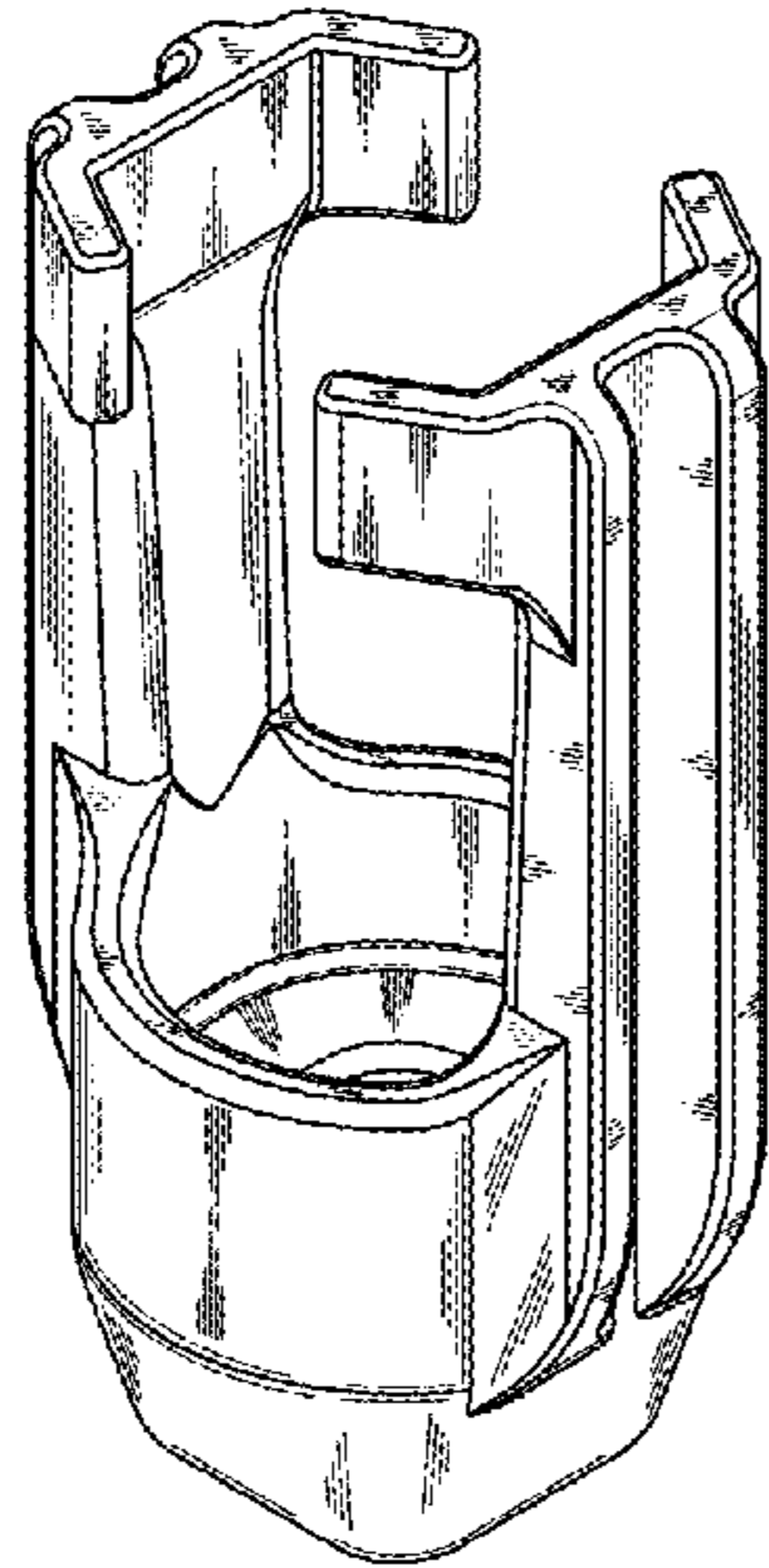


Figure 1



Figure 2

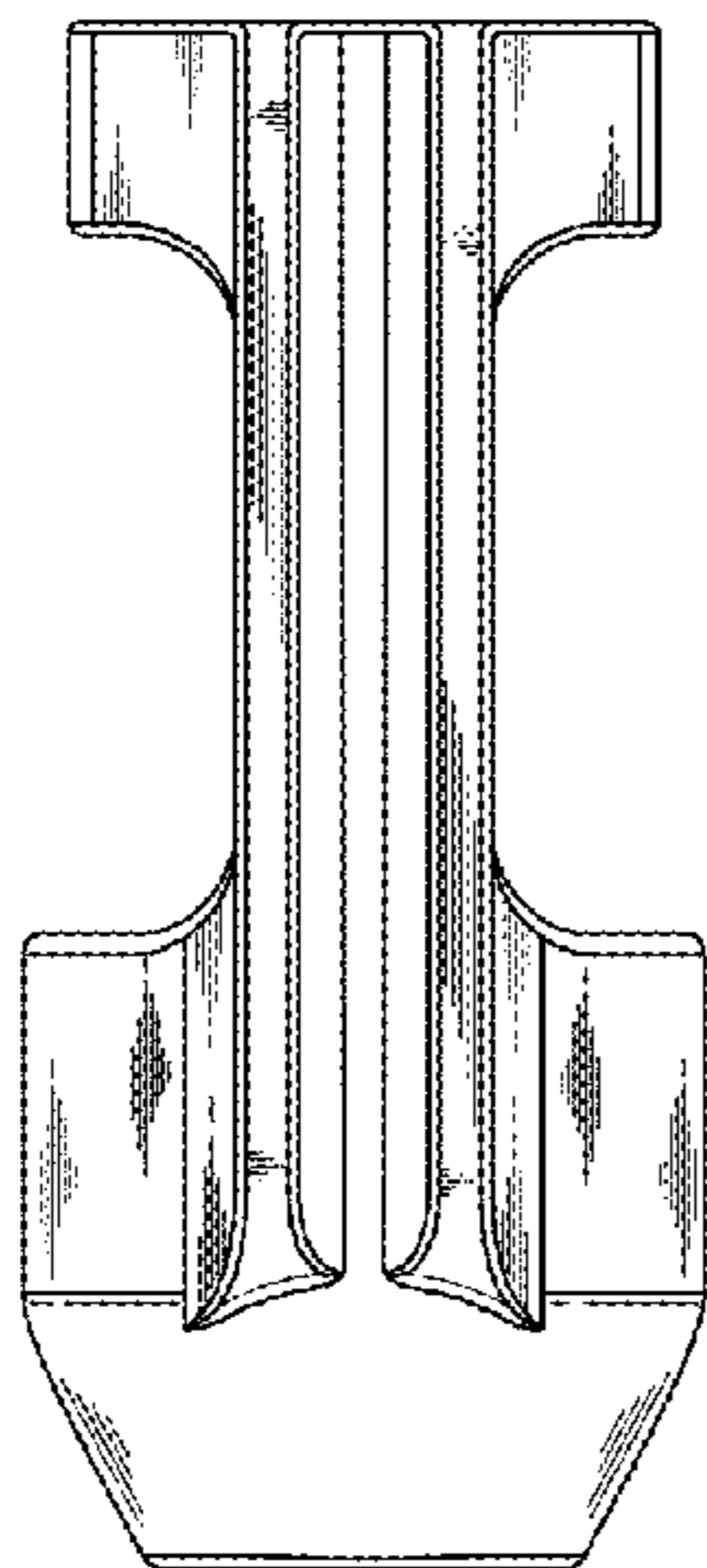


Figure 3

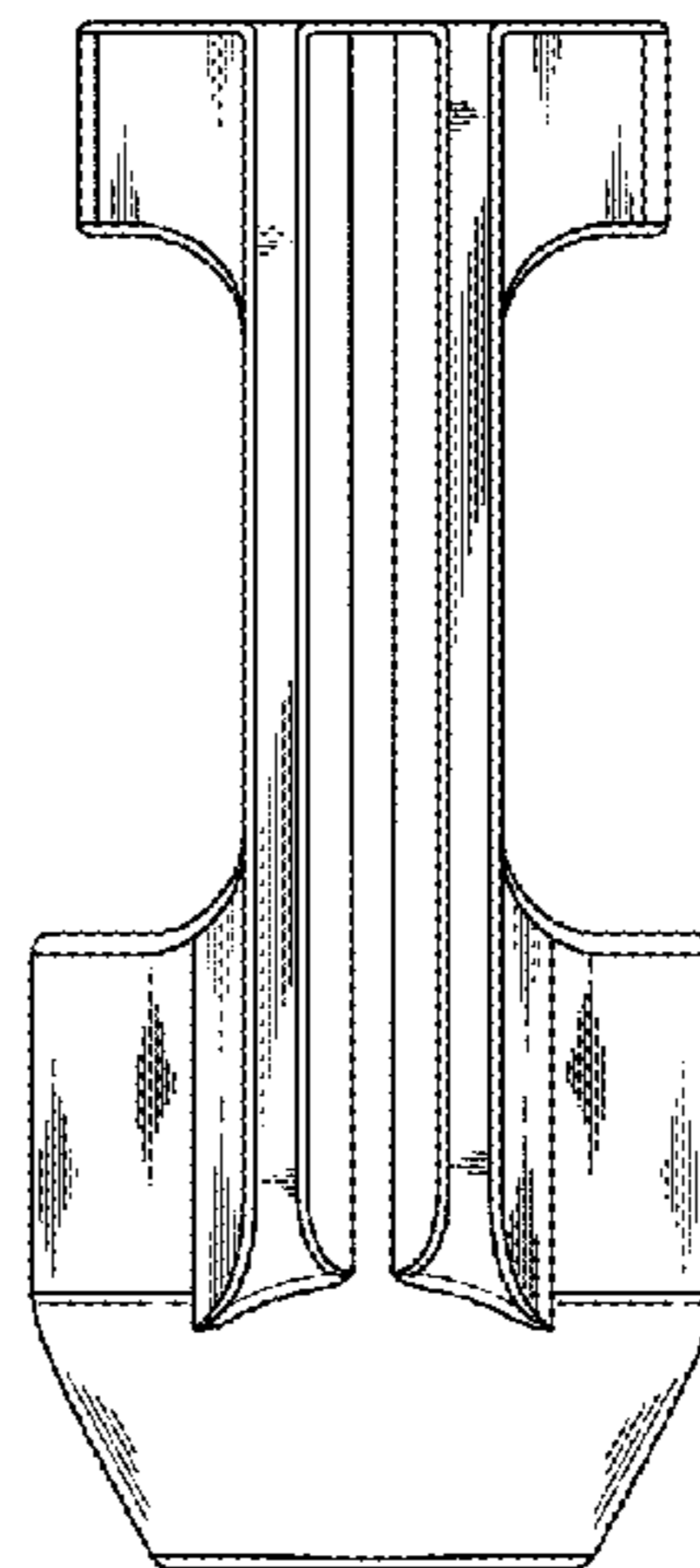


Figure 4

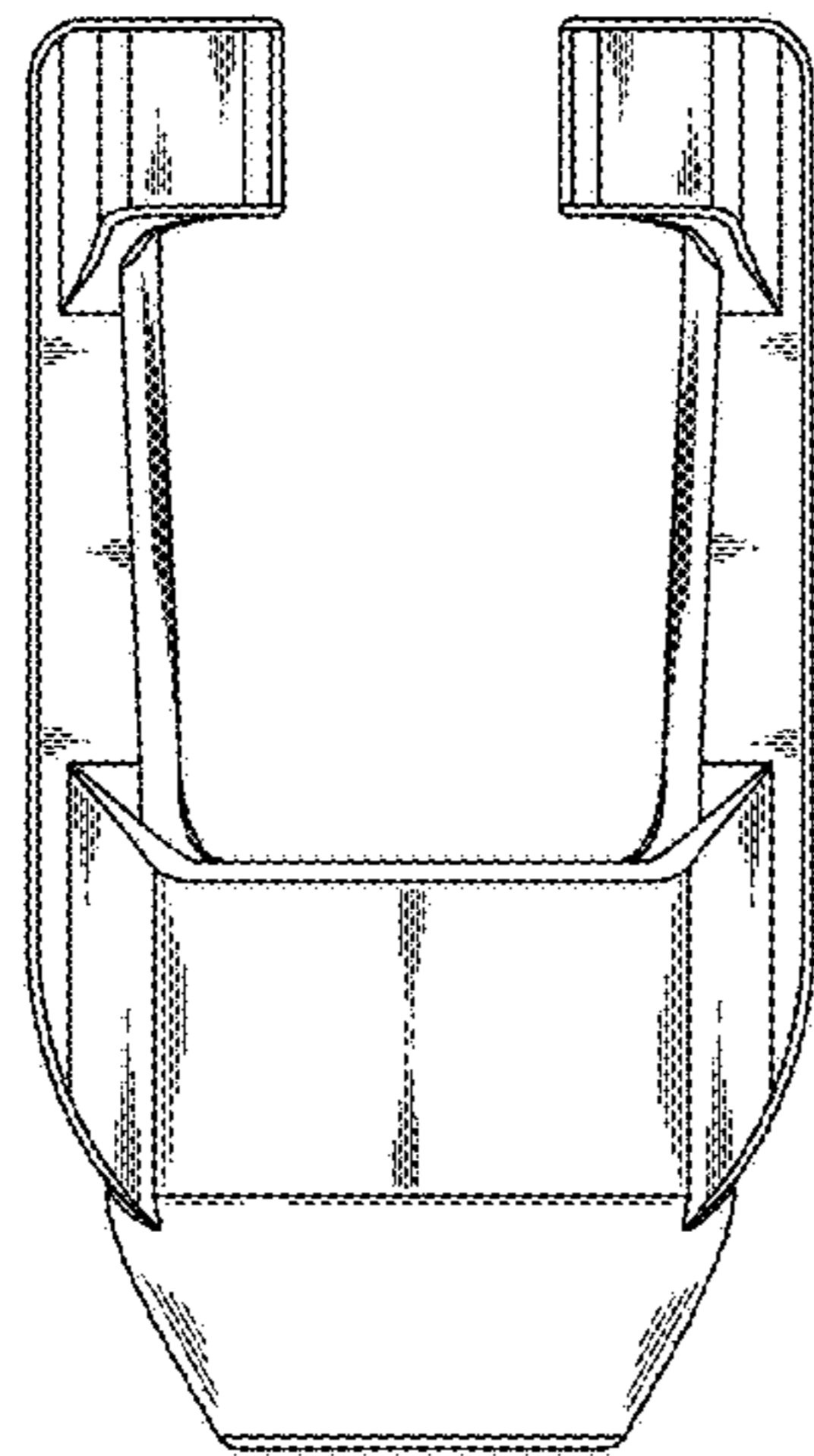


Figure 5

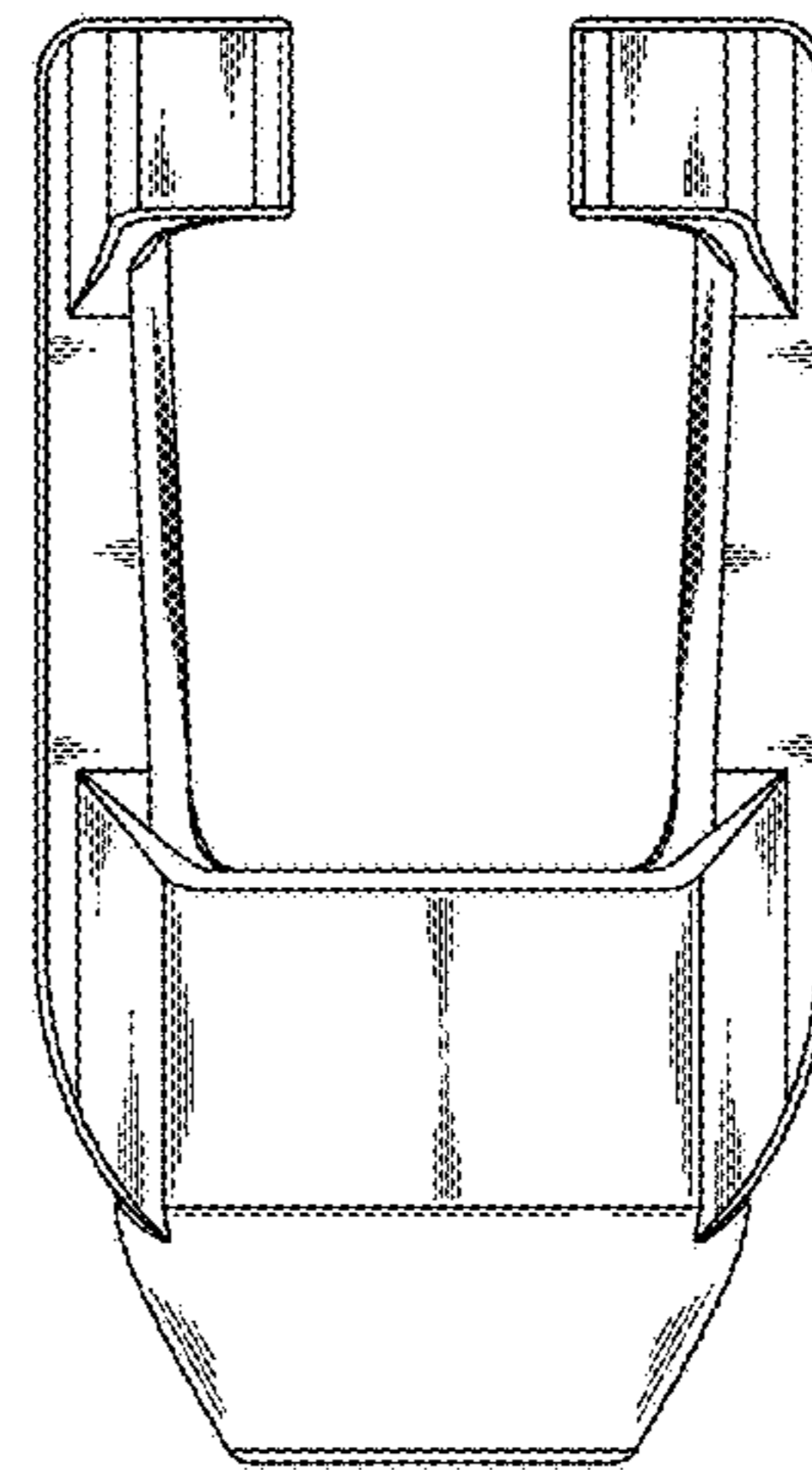


Figure 6

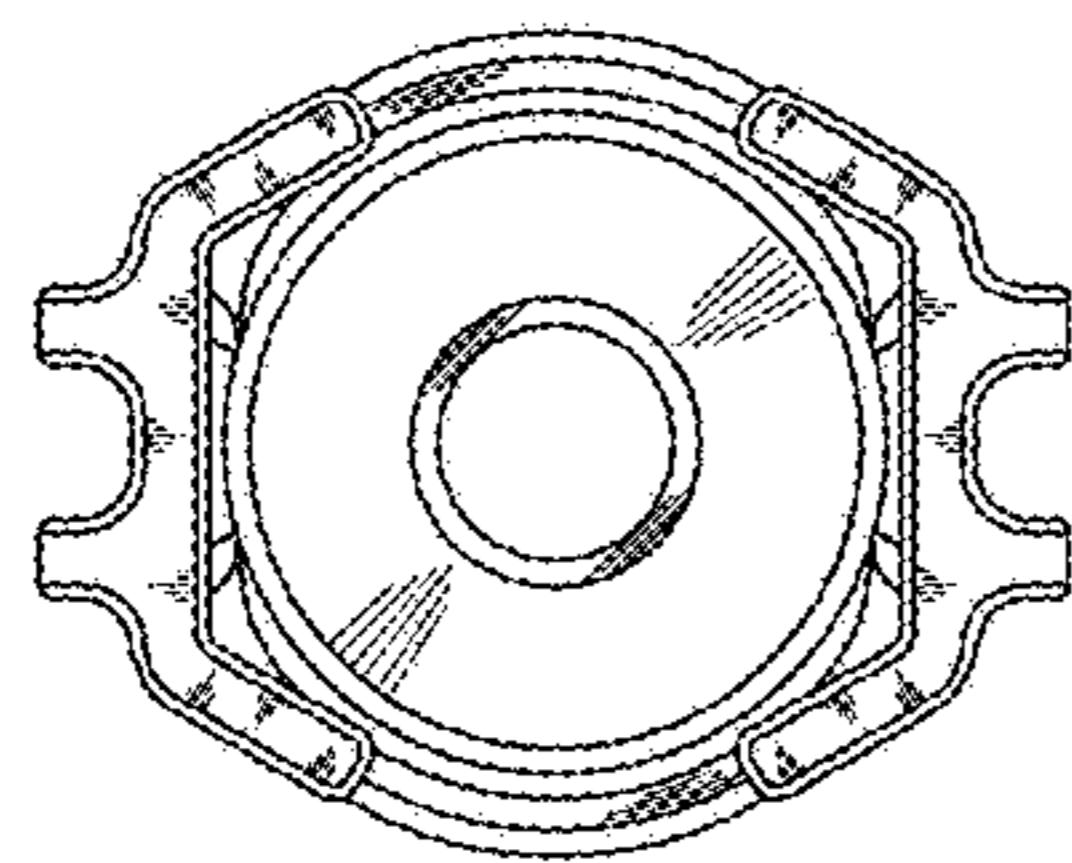


Figure 7

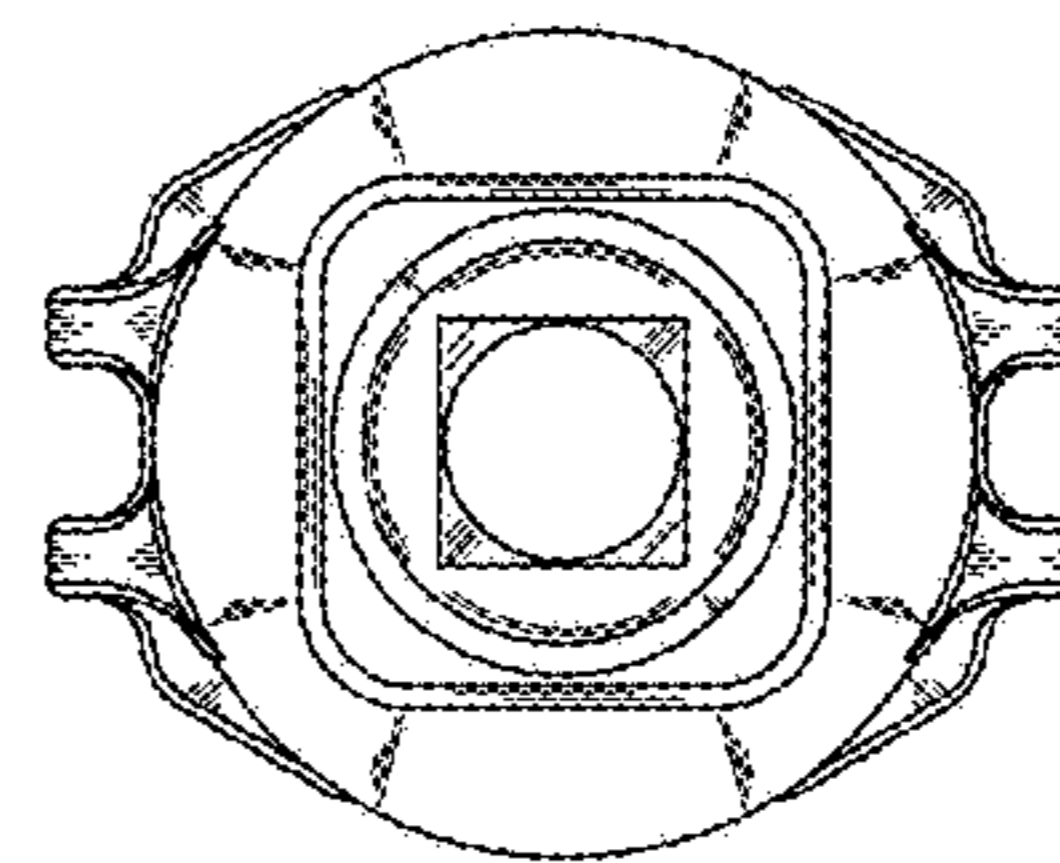


Figure 8