



US00D856123S

(12) **United States Design Patent**
Bancroft et al.

(10) **Patent No.:** **US D856,123 S**

(45) **Date of Patent:** **** Aug. 13, 2019**

- (54) **COUPLING**
- (71) Applicant: **Victaulic Company**, Easton, PA (US)
- (72) Inventors: **Philip W. Bancroft**, Belvidere, NJ (US); **Daniel Wake**, Bethlehem, PA (US); **Ahmed Saleh**, Nazareth, PA (US); **Matthew A. Bowman**, Palmer, PA (US); **Craig Haney**, Nazareth, PA (US)
- (73) Assignee: **Victaulic Company**, Easton, PA (US)
- (**) Term: **15 Years**
- (21) Appl. No.: **29/613,169**
- (22) Filed: **Aug. 8, 2017**
- (51) **LOC (12) Cl.** **08-08**
- (52) **U.S. Cl.**
USPC **D8/395**; D8/396
- (58) **Field of Classification Search**
USPC D8/349, 382, 394, 395, 396
CPC . F16L 17/00; F16L 17/04; F16L 21/06; F16L 21/08; F16L 23/08; F16L 23/00; F16L 23/036; F16L 3/13; F16L 33/04; F16L 33/06; F16L 33/08
See application file for complete search history.

(56) **References Cited**

U.S. PATENT DOCUMENTS

- 4,186,947 A * 2/1980 Nixon F16L 17/04
285/112
- D309,094 S * 7/1990 Donis D23/265
- D318,123 S * 7/1991 Yokoyama D24/129
- 5,359,866 A * 11/1994 Boddy F16B 2/10
24/270
- 5,620,210 A * 4/1997 Eyster F16L 21/06
24/625
- D414,405 S * 9/1999 Tompkins D8/396
- 6,170,884 B1 * 1/2001 McLennan F16L 17/04
285/112

- 6,227,577 B1 * 5/2001 Ikeda F16L 17/04
285/112
- D494,847 S * 8/2004 Maniezzo D8/382
- D570,458 S * 6/2008 Gibb D23/262
- D574,228 S * 8/2008 Johansson D8/396
- D577,423 S * 9/2008 Dole D23/265
- D583,444 S * 12/2008 Nagle D23/262
- D583,916 S * 12/2008 Madara D23/265
- D584,604 S * 1/2009 Baldwin D8/396
- D587,349 S * 2/2009 Madara D23/265
- D595,814 S * 7/2009 Pierce D23/262
- D597,635 S * 8/2009 Dole D23/262
- D598,076 S * 8/2009 Dole D23/262

(Continued)

Primary Examiner — John Windmuller

Assistant Examiner — Steven J Czyz

(74) *Attorney, Agent, or Firm* — Ballard Spahr LLP

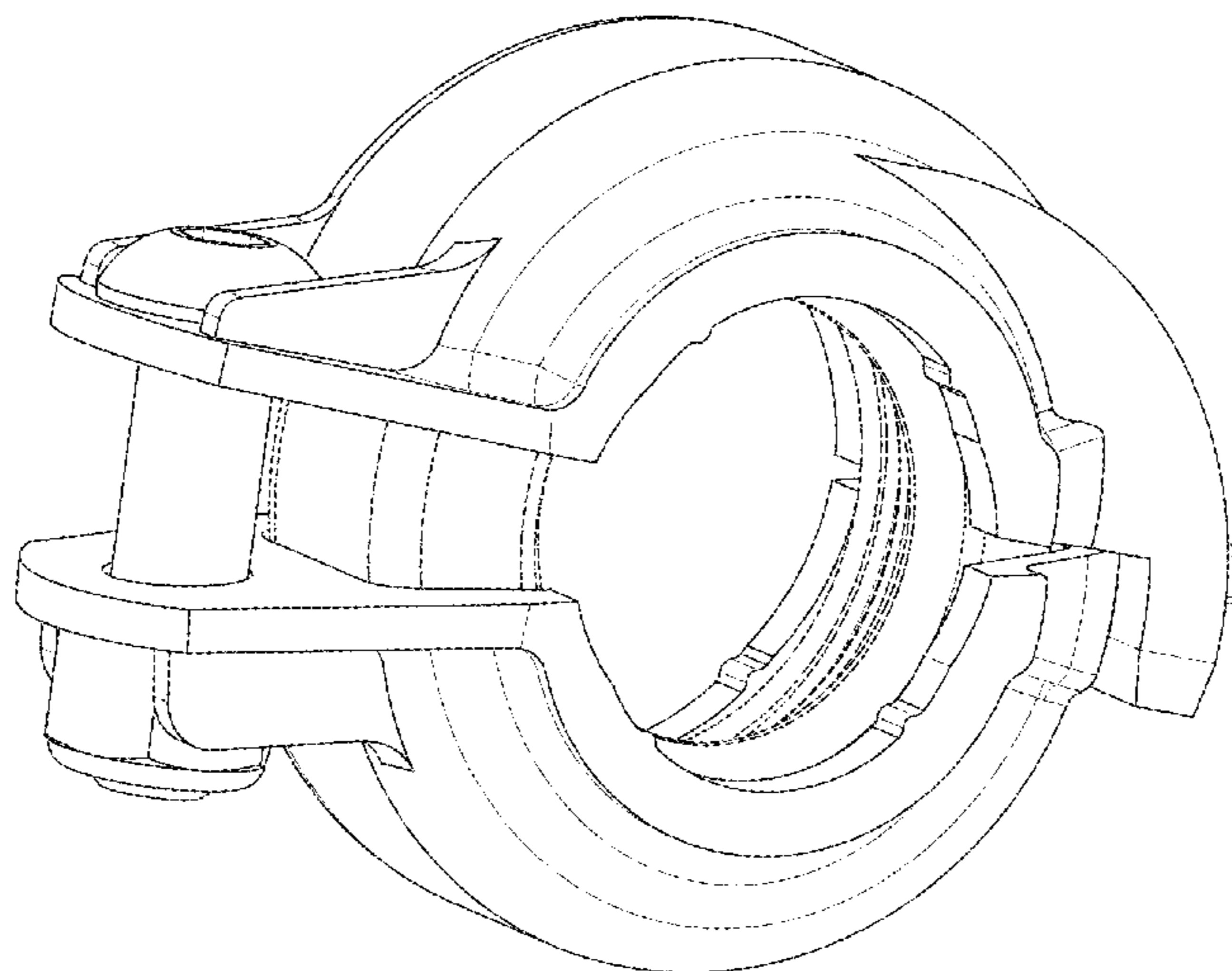
(57) **CLAIM**

We claim the ornamental design for a coupling, as shown and described.

DESCRIPTION

FIG. 1 is an isometric view of an embodiment of my design for a coupling;
 FIG. 2 is a front view of the design of the coupling shown in FIG. 1;
 FIG. 3 is a rear view of the design of the coupling shown in FIG. 1;
 FIG. 4 is a left side view of the design of the coupling shown in FIG. 1;
 FIG. 5 is a right side view of the design of the coupling shown in FIG. 1;
 FIG. 6 is a bottom view of the design of the coupling shown in FIG. 1; and,
 FIG. 7 is a top view of the design of the coupling shown in FIG. 1.
 The broken lines depict portions of the coupling that form no part of the claimed design.

1 Claim, 7 Drawing Sheets



(56)

References Cited

U.S. PATENT DOCUMENTS

D598,077 S *	8/2009	Gibb	D23/265	D629,496 S *	12/2010	Madara	D23/262
D600,325 S *	9/2009	Porter	D23/262	D674,059 S *	1/2013	Cuvo	D23/262
D600,326 S *	9/2009	Gibb	D23/265	D674,063 S *	1/2013	Wilk, Jr.	D23/262
D602,127 S *	10/2009	Shah	D23/262	D674,064 S *	1/2013	Dole	D23/262
D608,868 S *	1/2010	Porter	D23/262	D700,835 S *	3/2014	Langlois	D8/396
D608,869 S *	1/2010	Porter	D23/262	D735,025 S *	7/2015	Mathien	D8/396
D608,872 S *	1/2010	Porter	D23/262	9,074,715 B2 *	7/2015	Weger	F16L 55/02
D609,312 S *	2/2010	Porter	D23/262	D770,886 S *	11/2016	Whitaker	D8/394
D616,532 S *	5/2010	Madara	D23/262	9,518,667 B2 *	12/2016	Ramos	F16K 7/063
D618,312 S *	6/2010	Madara	D23/262	9,580,281 B2 *	2/2017	Foley	B66C 1/44
D618,314 S *	6/2010	Bowman	D23/262	D807,137 S *	1/2018	Whitaker	D8/72
D621,917 S *	8/2010	Madara	D23/262	D807,161 S *	1/2018	Whitaker	D8/394
D625,785 S *	10/2010	Madara	D23/262	D813,025 S *	3/2018	Yesavage	D8/395
D625,786 S *	10/2010	Bowman	D23/262	D813,657 S *	3/2018	Bowman	D8/395
D626,202 S *	10/2010	Porter	D23/262	D820,074 S *	6/2018	Huettemann	D8/394
D629,072 S *	12/2010	Madara	D23/262	D820,076 S *	6/2018	Ramirez	D8/396
D629,074 S *	12/2010	Shah	D23/262	10,074,913 B1 *	9/2018	Bussey	H01R 4/2412
D629,076 S *	12/2010	Madara	D23/262	2005/0242585 A1 *	11/2005	Dole	B21D 17/04 285/367
D629,078 S *	12/2010	Dole	D23/262	2009/0146417 A1 *	6/2009	Lippka	F16L 17/025 285/112
D629,080 S *	12/2010	Dole	D23/262	2010/0102549 A1 *	4/2010	Radzik	F16L 17/04 285/112
D629,082 S *	12/2010	Dole	D23/262					
D629,083 S *	12/2010	Dole	D23/262					

* cited by examiner

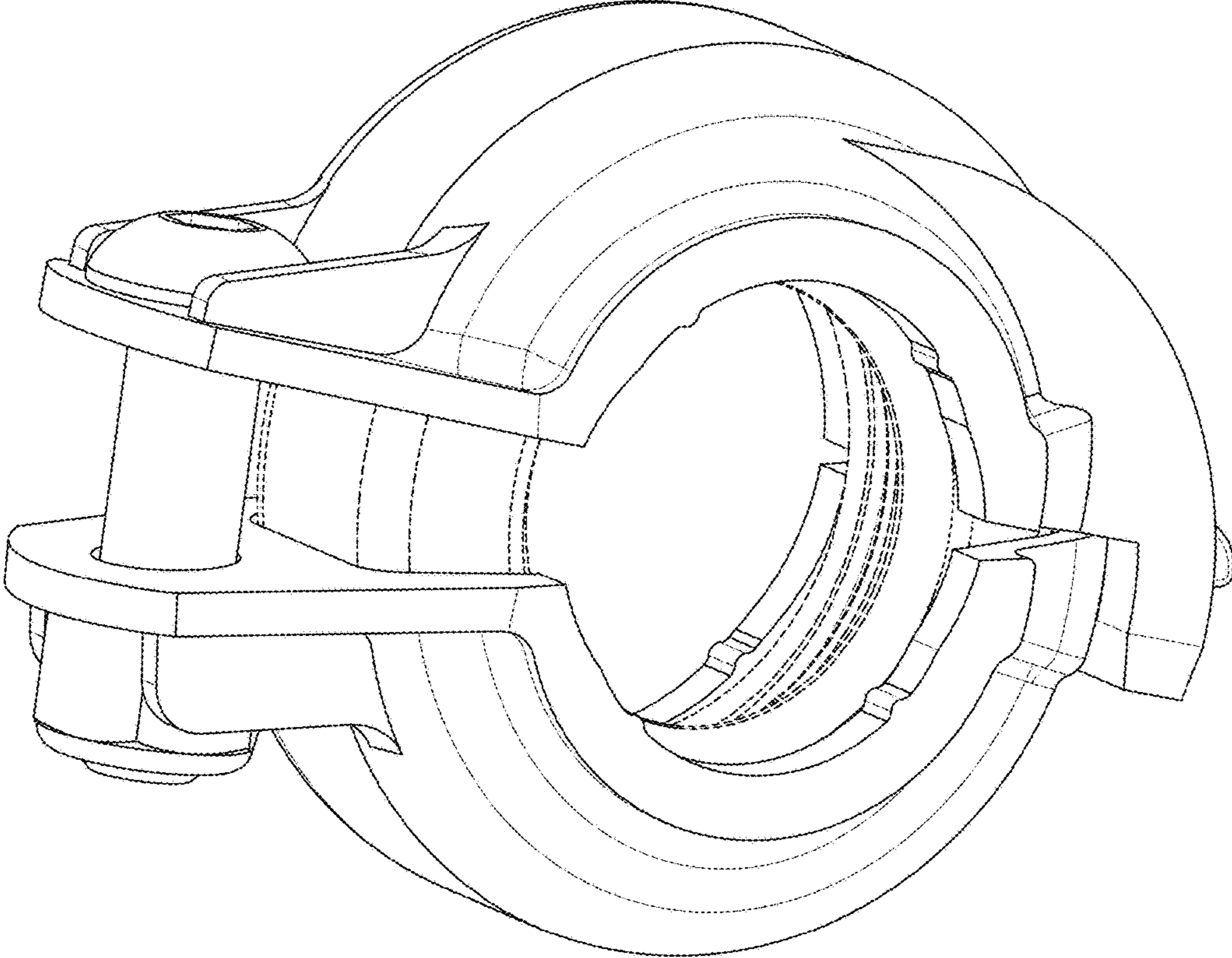


FIG.1

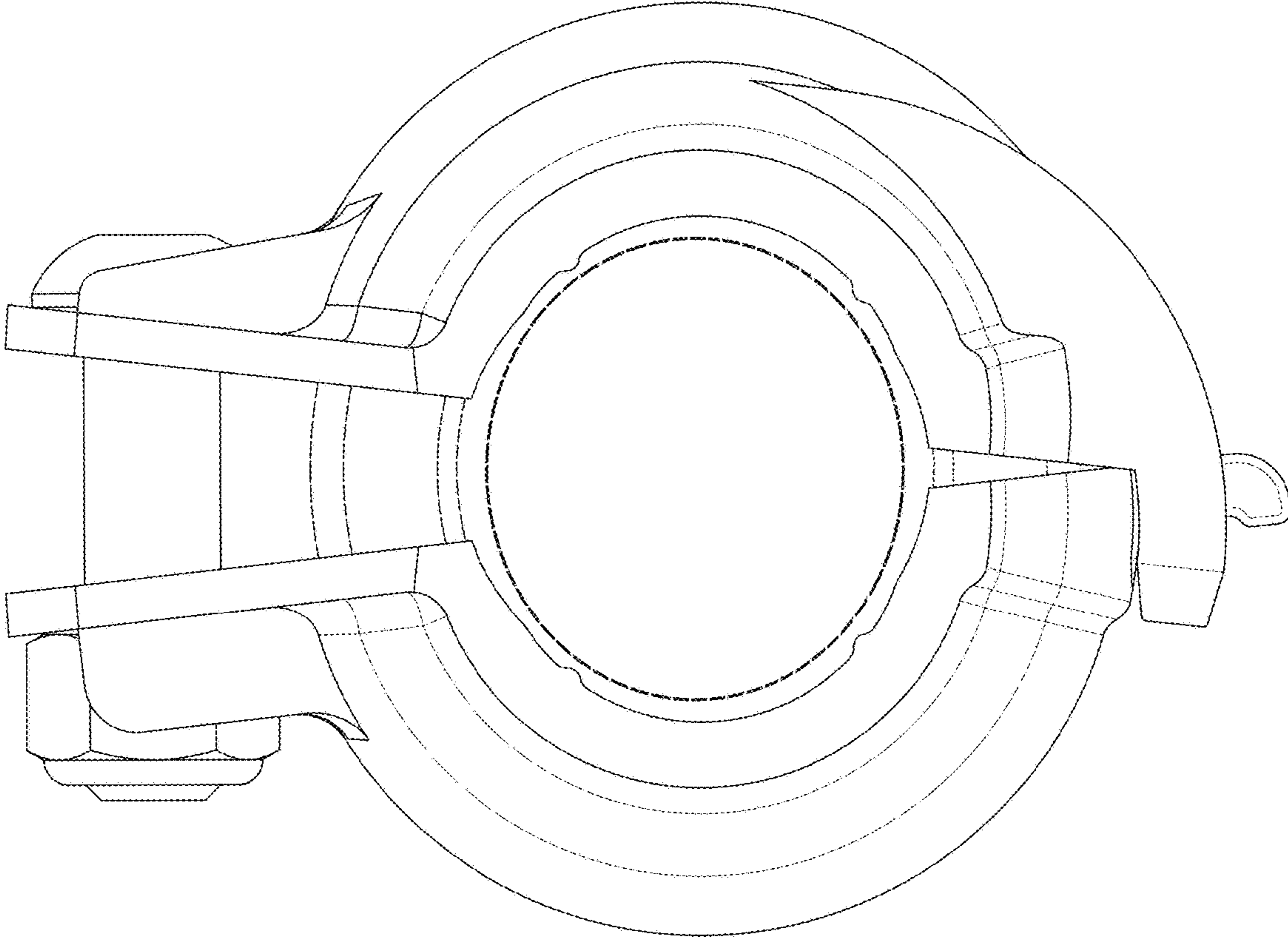


FIG.2

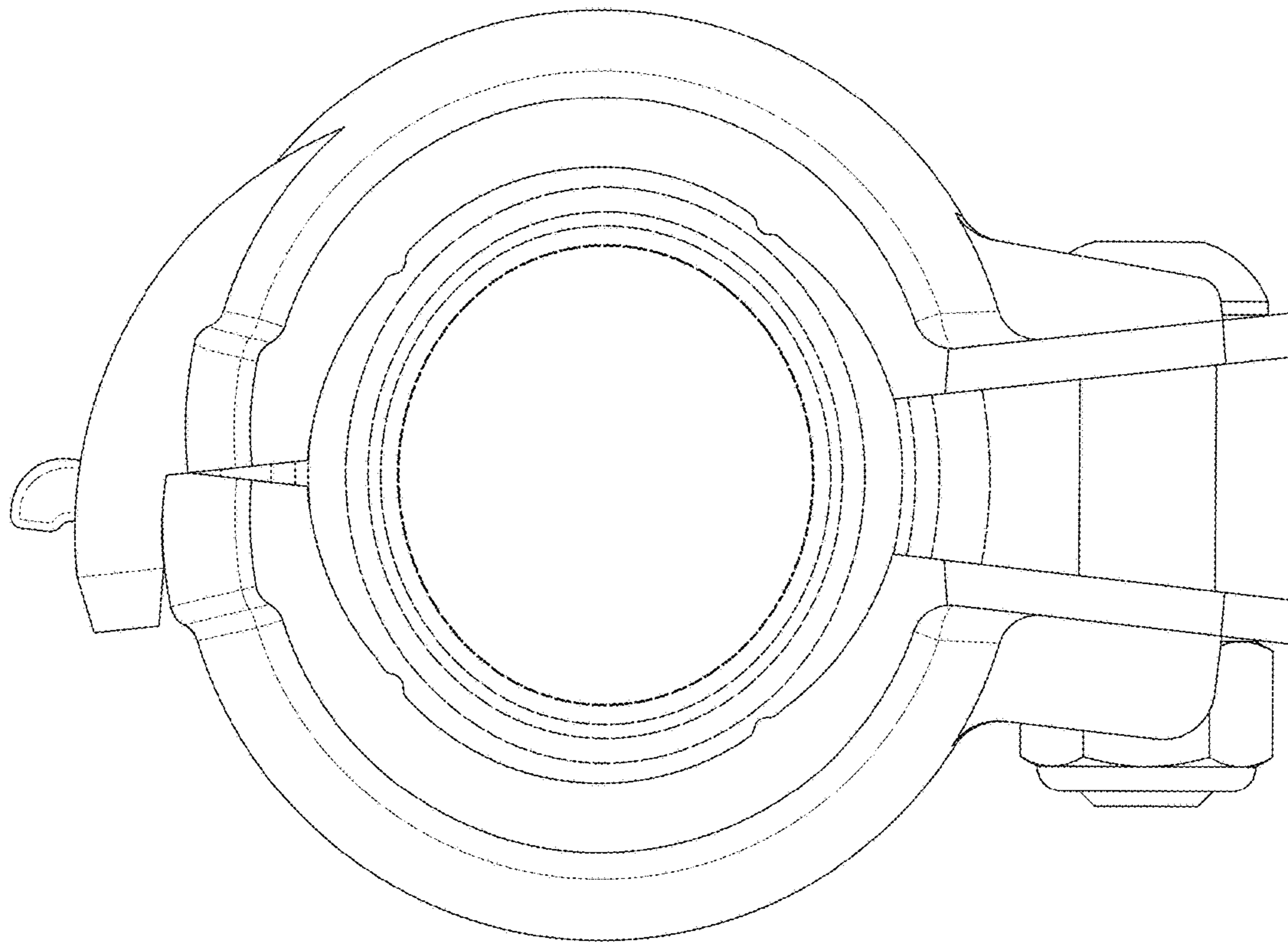


FIG.3

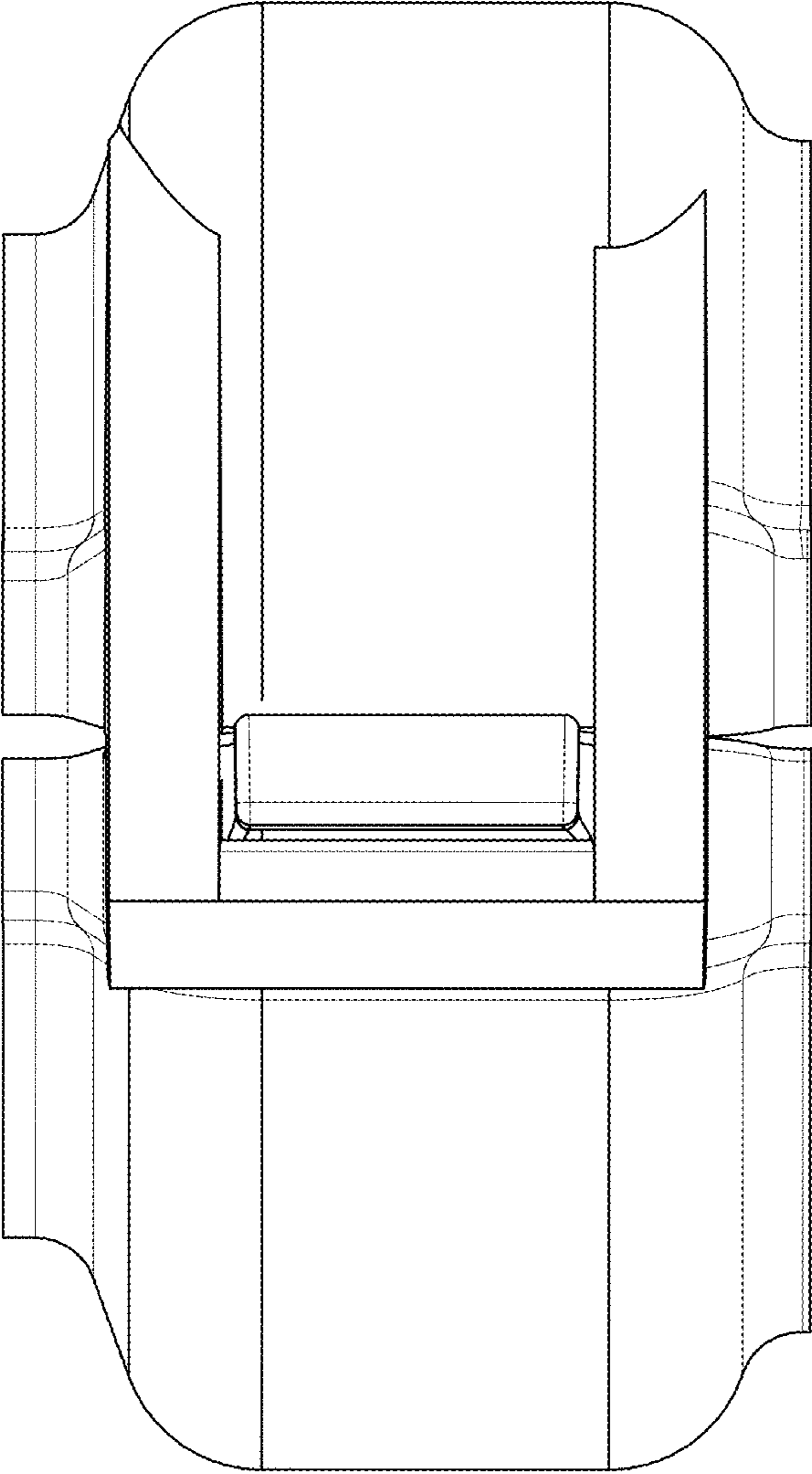


FIG.4

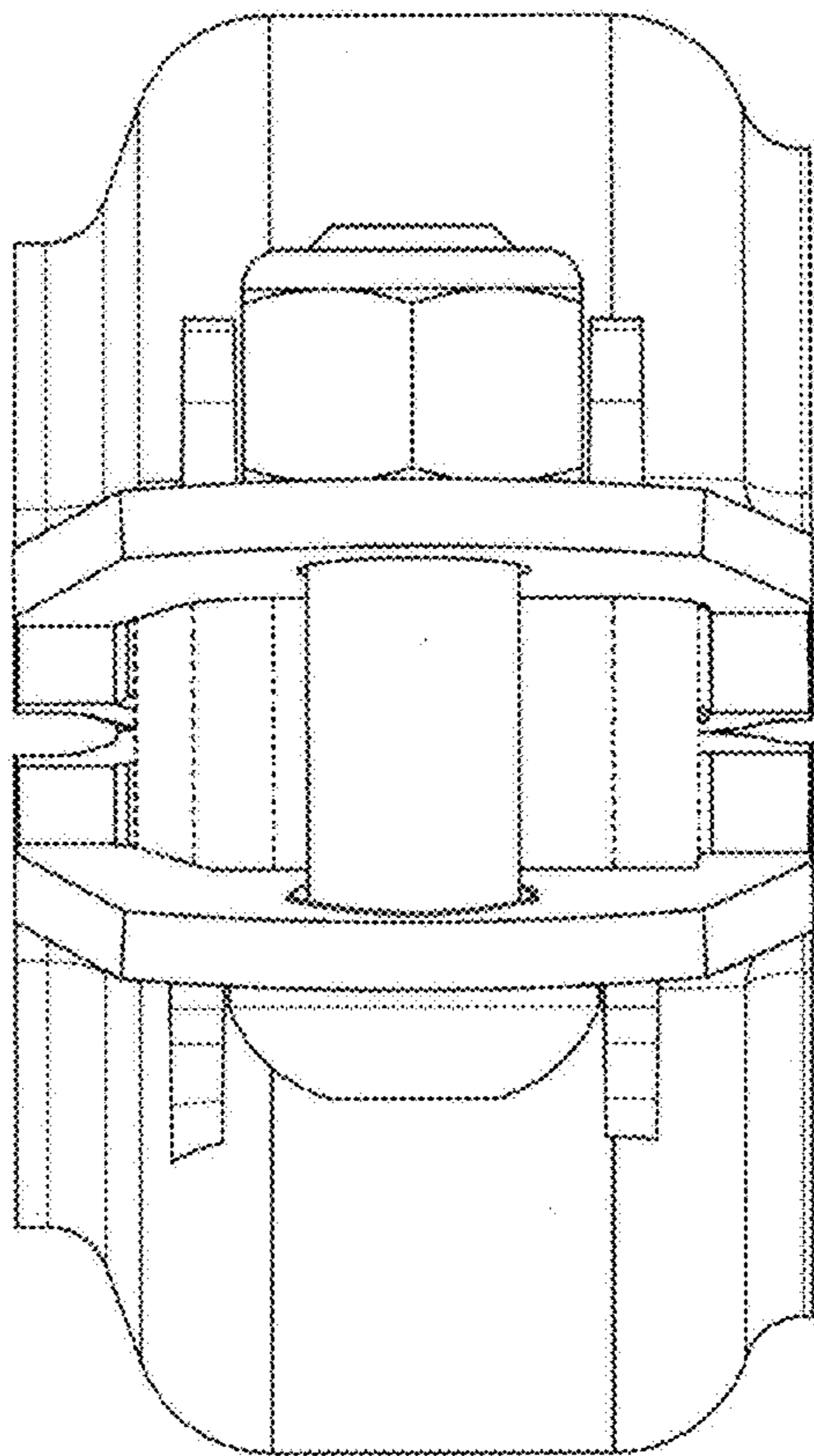


FIG. 5

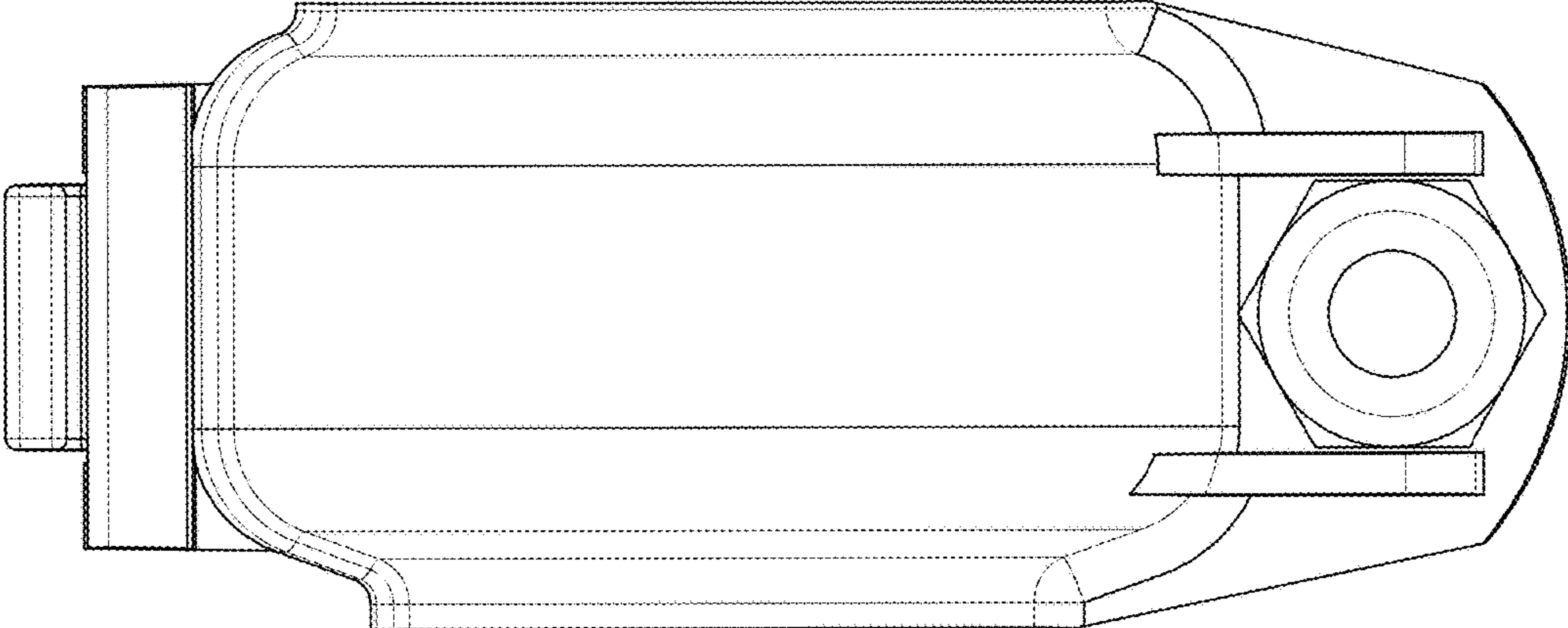


FIG.6

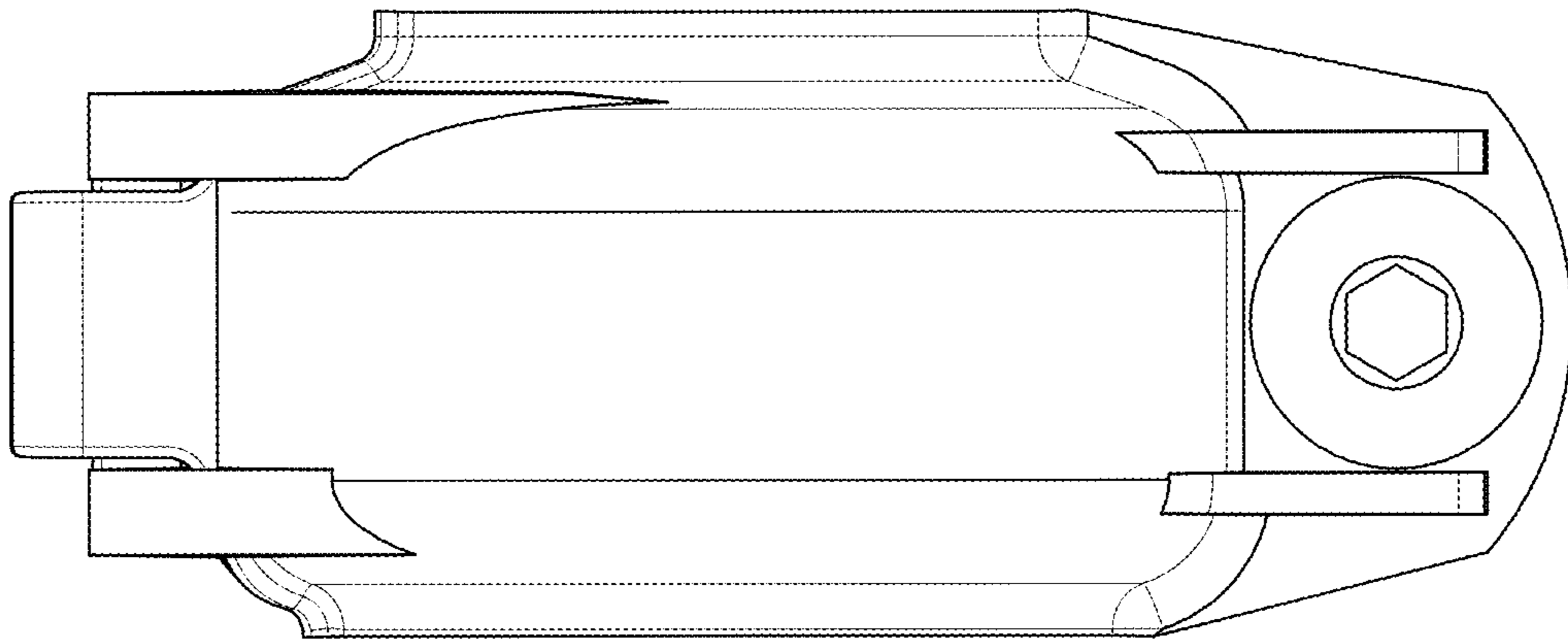


FIG. 7