



US00D856118S

(12) **United States Design Patent** (10) **Patent No.:** **US D856,118 S**
Adelman (45) **Date of Patent:** **** Aug. 13, 2019**

(54) **CLIP** 8,621,728 B2 * 1/2014 Christianson F16B 45/02
24/599.5
(71) Applicant: **Greyfin LLC**, Boulder, CO (US) D702,110 S * 4/2014 Gobbi D8/356
8,955,203 B2 * 2/2015 Tardif F16B 45/02
24/599.5
(72) Inventor: **Gregory Marc Adelman**, Boulder, CO D732,937 S * 6/2015 McEvelly D8/367
(US) D735,559 S * 8/2015 Liang D8/356
9,322,428 B2 * 4/2016 Perner F16B 45/02
(73) Assignee: **Greyfin LLC**, Boulder, CO (US) D773,911 S * 12/2016 Louis D8/34
D786,049 S * 5/2017 Austin D8/356
D786,655 S * 5/2017 Petzl D8/356
D788,572 S * 6/2017 Votel D8/356
(**) Term: **15 Years**
(21) Appl. No.: **29/645,972** (Continued)

(22) Filed: **Apr. 30, 2018**
(51) **LOC (12) Cl.** **09-06**
(52) **U.S. Cl.**
USPC **D8/356; D8/394**
(58) **Field of Classification Search**
USPC D8/349, 354, 356, 382, 383, 394, 395;
D3/207, 215
CPC A45F 5/00; A45F 2005/006; A63B 29/02;
A63B 21/04; Y10T 24/4534; Y10T
24/45272; Y10T 24/45276; Y10T
24/45173; A62B 35/0037
See application file for complete search history.

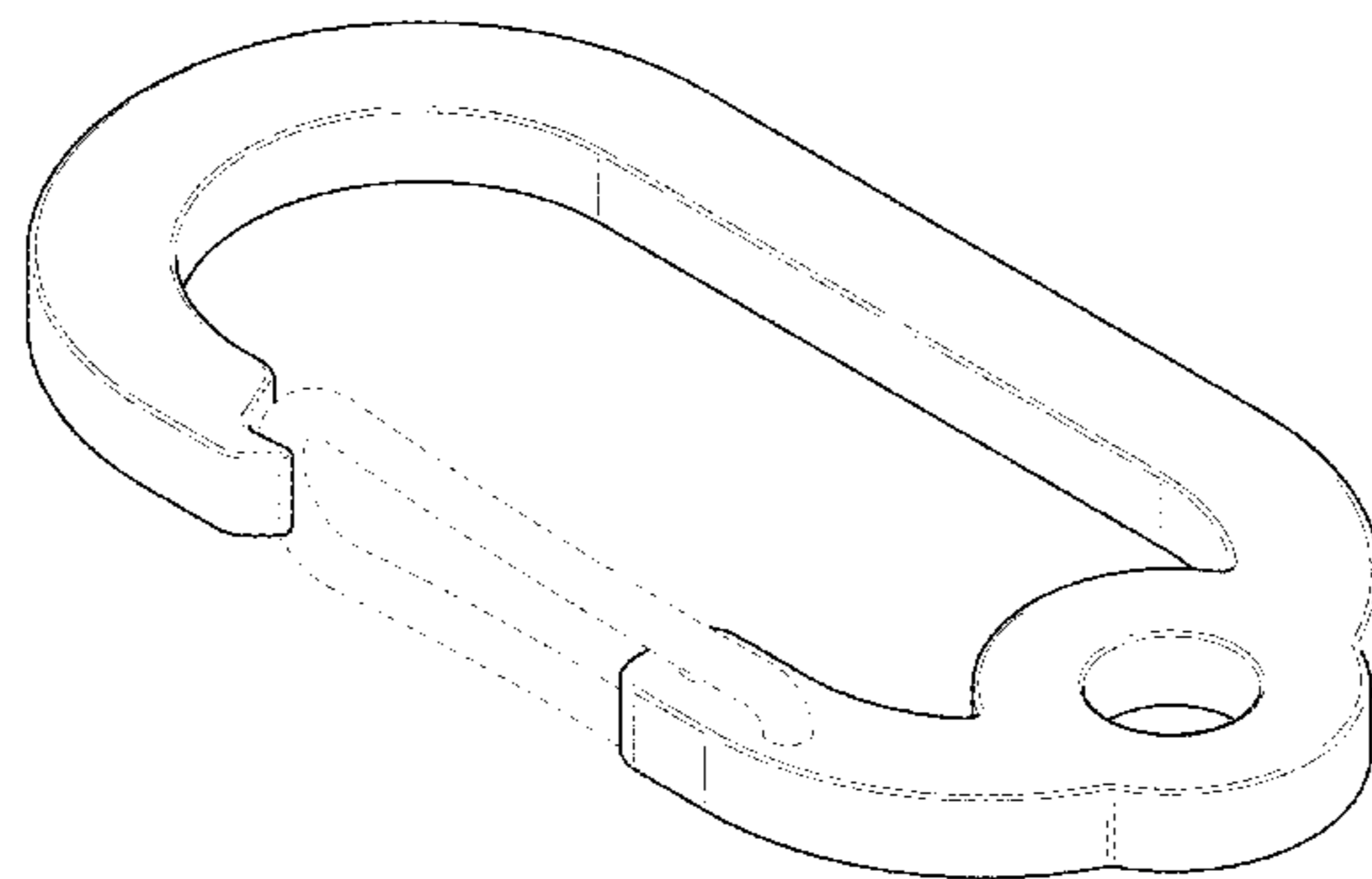
(56) **References Cited**
U.S. PATENT DOCUMENTS
D281,483 S * 11/1985 Faidide D8/367
D470,393 S * 2/2003 Kelleghan D8/356
D475,605 S * 6/2003 Kelleghan D8/356
D520,345 S * 5/2006 Kelleghan D8/356
D598,732 S * 8/2009 Bizzell D8/356
D602,766 S * 10/2009 Kelleghan D8/356
D614,936 S * 5/2010 Petzl D8/356
D614,937 S * 5/2010 Kelleghan D8/356
D626,393 S * 11/2010 Ormsbee D8/18
D646,556 S * 10/2011 Kelleghan D8/356
D655,999 S * 3/2012 Kelleghan D8/356
D657,660 S * 4/2012 Petty D8/355
D684,452 S * 6/2013 Petzl D8/356
D693,207 S * 11/2013 Petzl D8/356

OTHER PUBLICATIONS
Kickstarter, "Binary Titanium Key Carabiner | Safety Gate | Bottle Opener," (<https://www.kickstarter.com/projects/1258952665/binary-titanium-key-carabiner-safety-gate-bottle-o>), published Jan. 14, 2016, retrieved Jul. 23, 2018, 32 Pages.
Primary Examiner — John Windmuller
Assistant Examiner — Steven J Czyz
(74) *Attorney, Agent, or Firm* — Sterne, Kessler, Goldstein & Fox P.L.L.C.

(57) **CLAIM**
The ornamental design for a clip, as shown and described.

DESCRIPTION
FIG. 1 is a bottom front perspective view of a clip showing the claimed design;
FIG. 2 is a front view thereof;
FIG. 3 is a rear view thereof;
FIG. 4 is a left side view thereof;
FIG. 5 is a right side view thereof;
FIG. 6 is a top view thereof; and,
FIG. 7 is a bottom view thereof.
The broken lines in the figures show portions of the clip that form no part of the claimed design.

1 Claim, 5 Drawing Sheets



(56)

References Cited

U.S. PATENT DOCUMENTS

9,719,552 B2 *	8/2017	Moine	A62B 35/0037
D809,370 S *	2/2018	Tang	D8/356
D821,090 S *	6/2018	Case	D3/207
D827,418 S *	9/2018	Austin	D8/356
D833,855 S *	11/2018	Page	D8/356
D834,401 S *	11/2018	Penn	D8/356
D836,422 S *	12/2018	Gobbi	D8/356
D837,635 S *	1/2019	Petzl	D8/356

* cited by examiner

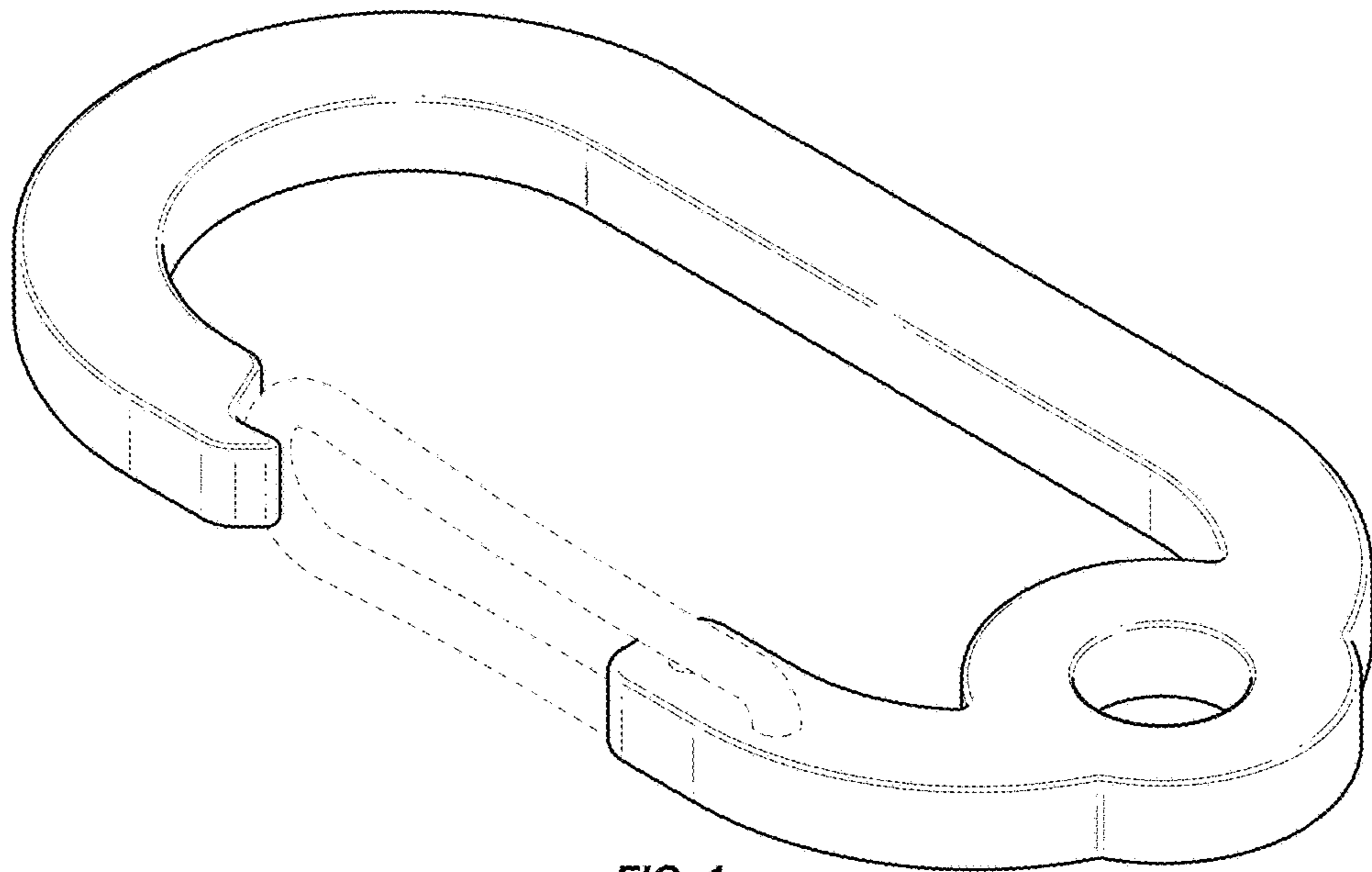


FIG. 1

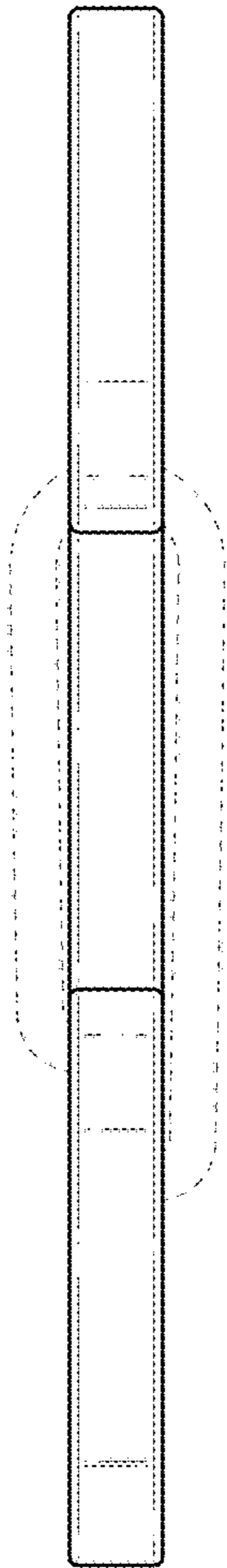


FIG. 2

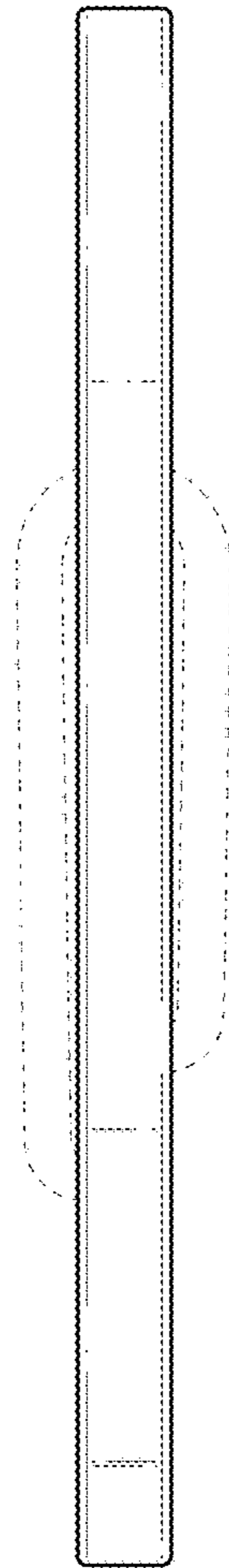


FIG. 3

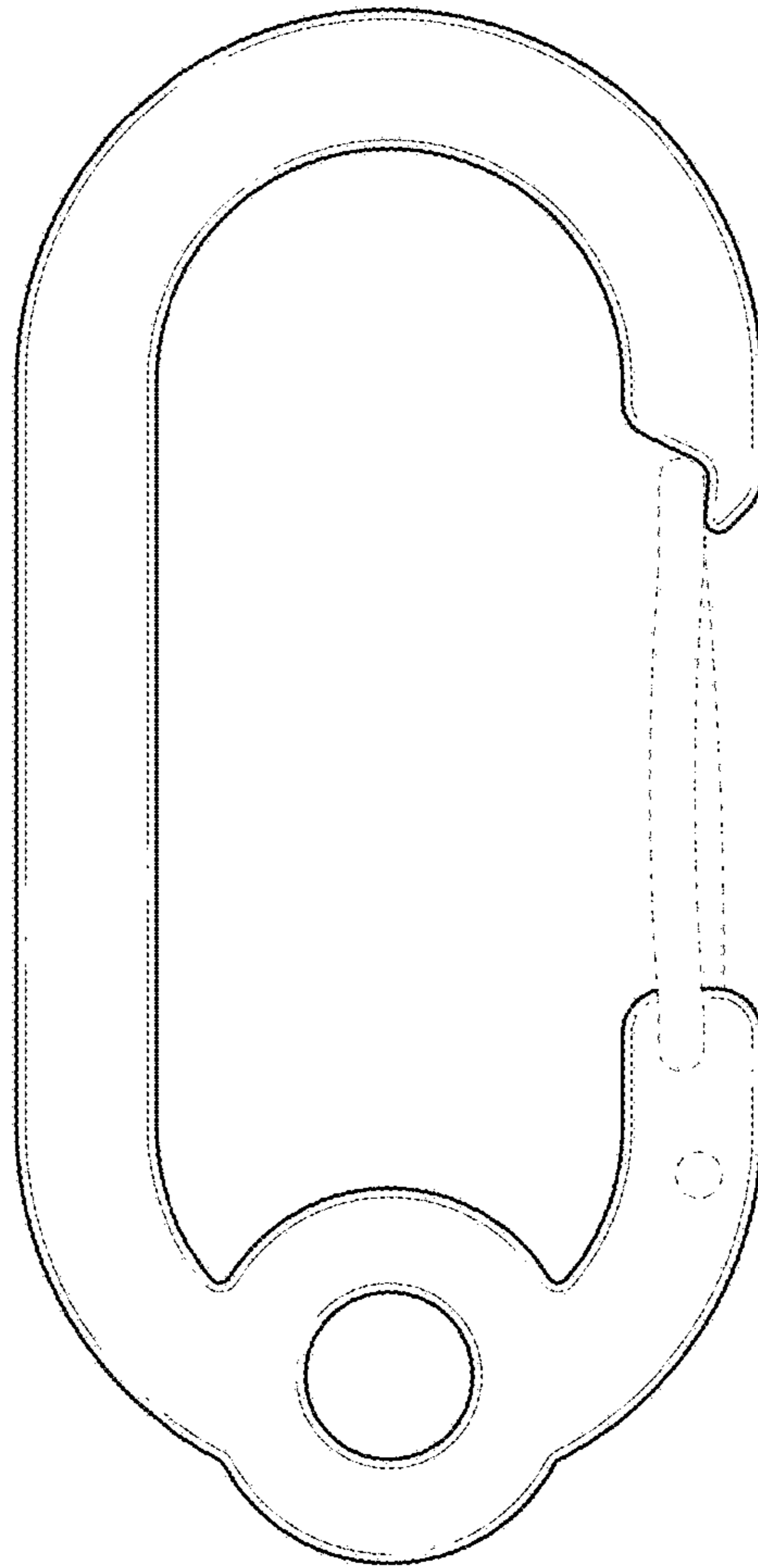


FIG. 4

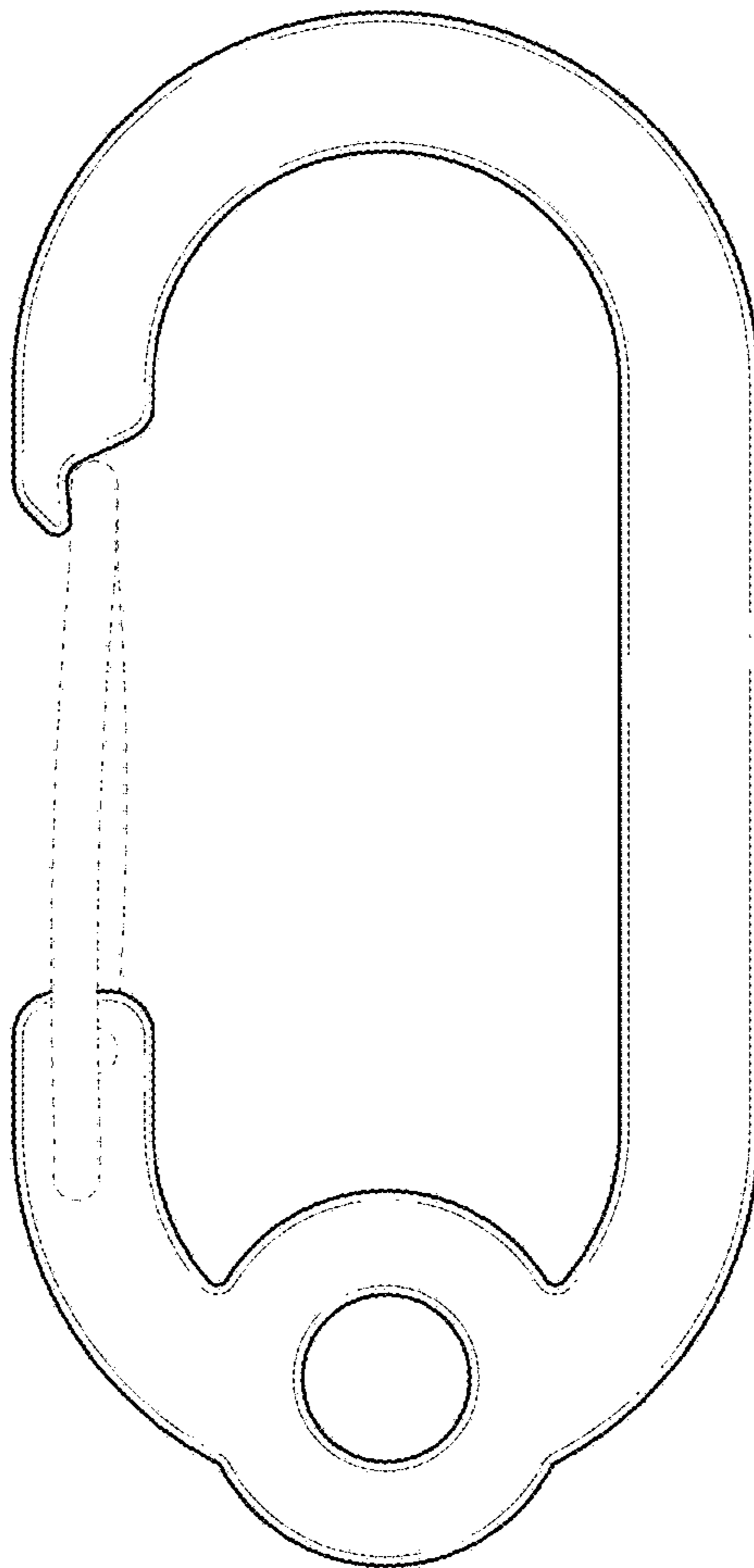


FIG. 5

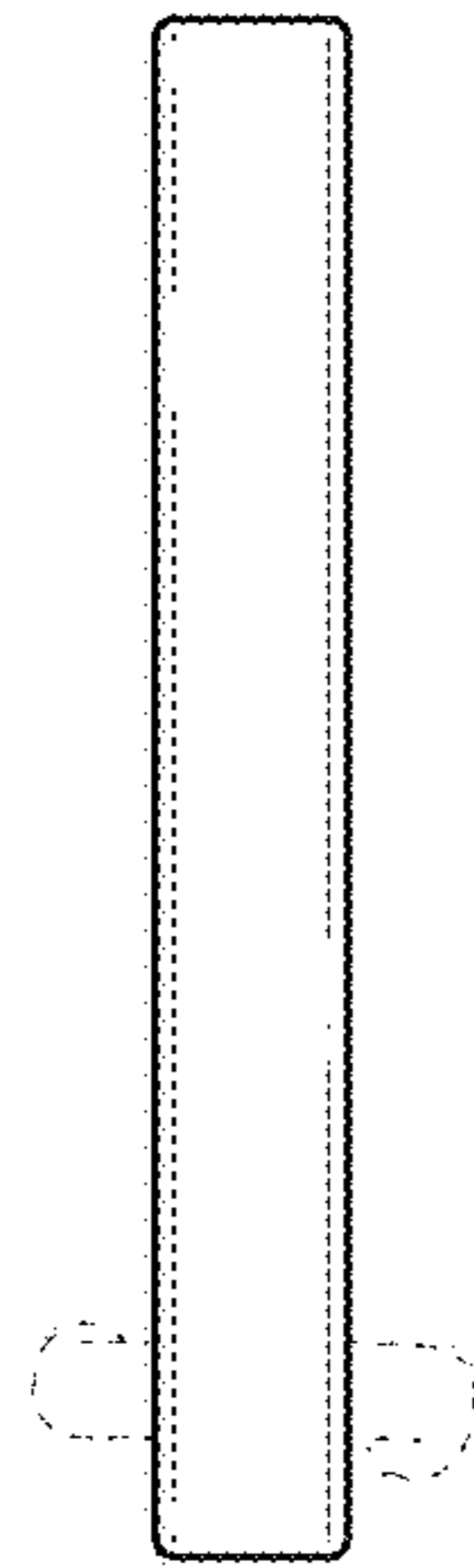


FIG. 6

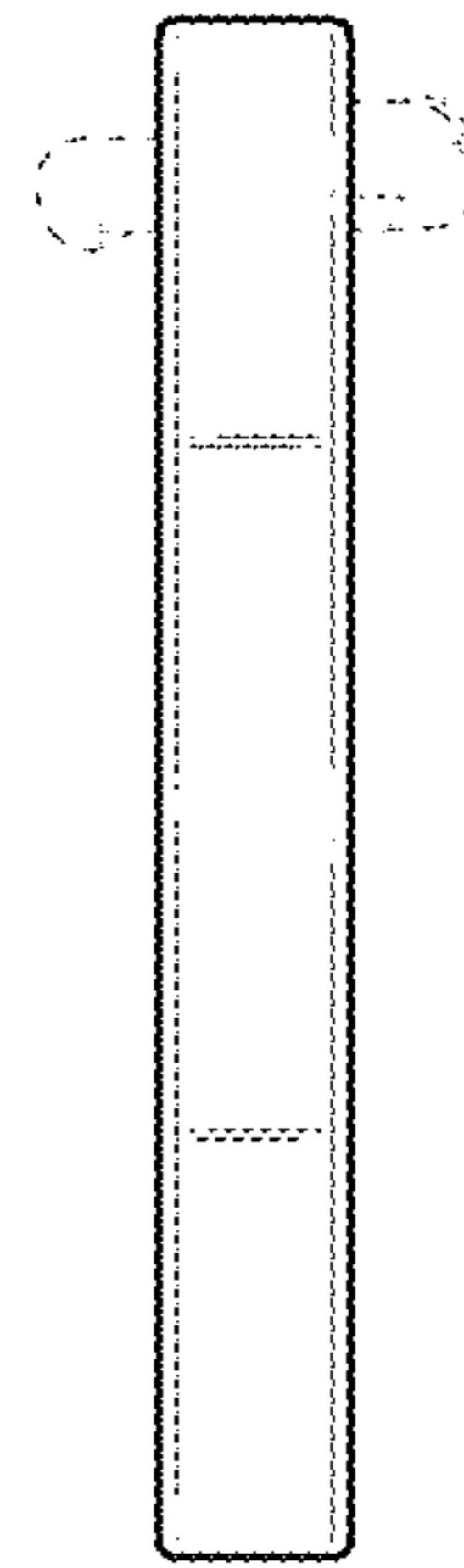


FIG. 7