



US00D856117S

(12) **United States Design Patent** (10) **Patent No.:** **US D856,117 S**
Homza et al. (45) **Date of Patent:** **** Aug. 13, 2019**

- (54) **SET OF BRACKETS**
- (71) Applicant: **Comcast Cable Communications, LLC**, Philadelphia, PA (US)
- (72) Inventors: **Henry Homza**, Philadelphia, PA (US);
Michael Jou, Philadelphia, PA (US);
Neil Epstein, Philadelphia, PA (US)
- (73) Assignee: **Comcast Cable Communications, LLC**, Philadelphia, PA (US)
- (**) Term: **15 Years**
- (21) Appl. No.: **29/642,434**
- (22) Filed: **Mar. 29, 2018**
- (51) **LOC (12) Cl.** **08-08**
- (52) **U.S. Cl.**
USPC **D8/349**
- (58) **Field of Classification Search**
USPC D6/672, 684, 680, 683.1, 703.5; D8/349,
D8/354, 355, 330, 331, 333, 380, 382;
D13/144, 154, 133, 129, 199; D22/125;
D25/119, 164, 199, 139, 141; D26/138,
D26/76, 78, 79, 80
CPC .. F16C 2314/72; F16C 29/0623; F16C 29/06;
F16C 29/0609; F16C 29/005; F16C
29/008; F16C 29/04; F16C 29/0657;
F16C 29/004; F16C 29/12; A47B 1/10;
A47B 88/493; A47B 88/423; A47B
2088/4235; B44C 5/02
See application file for complete search history.

(56) **References Cited**

U.S. PATENT DOCUMENTS

- D341,529 S * 11/1993 Jacobs D25/119
- D349,503 S 8/1994 Roy
- D352,505 S 11/1994 Pullman et al.
- D360,544 S * 7/1995 Gauthier D6/672

- D399,863 S 10/1998 LaCicero
- D425,492 S 5/2000 Johnston et al.
- D425,872 S 5/2000 Johnston et al.
- D436,837 S 1/2001 Beal et al.
- D460,963 S 7/2002 Mautz et al.
- D463,778 S 10/2002 Hsu et al.
- D465,782 S 11/2002 Johnsen et al.
- D466,111 S 11/2002 Johnsen
- D494,050 S * 8/2004 Klein D6/513
- D539,290 S 3/2007 Zhu et al.
- D559,081 S * 1/2008 Myers D8/354
- D672,904 S * 12/2012 Tang D26/93
- D673,321 S * 12/2012 Karkkainen D26/93
- D695,090 S * 12/2013 White D8/354
- D729,043 S * 5/2015 Poppell D8/354
- D736,062 S * 8/2015 Ertel D8/354
- D764,096 S * 8/2016 Bi D26/107

(Continued)

Primary Examiner — Mark A Goodwin

Assistant Examiner — Benjamin M Weeks

(74) *Attorney, Agent, or Firm* — Banner & Witcoff, Ltd.

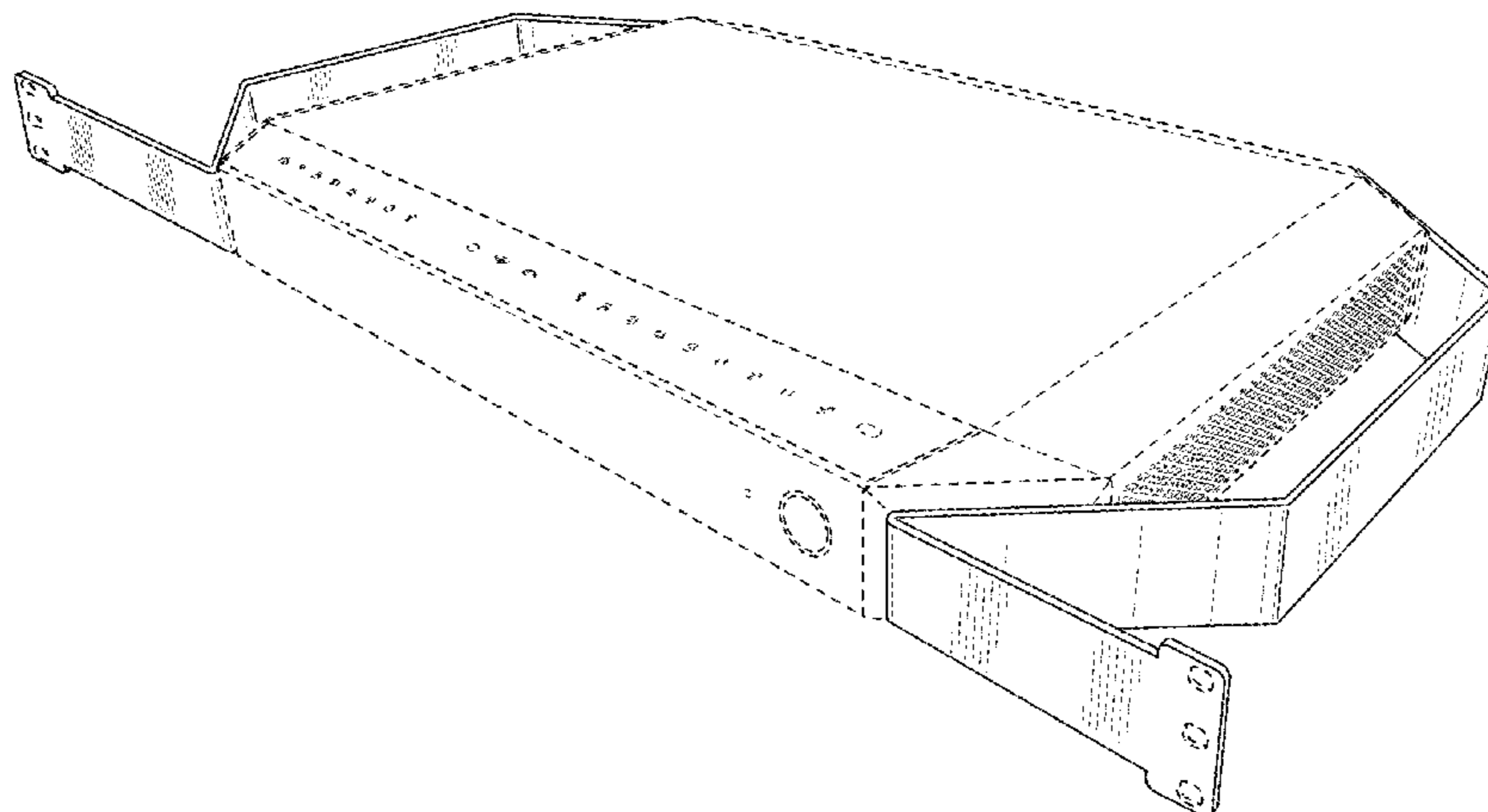
(57) **CLAIM**

The ornamental design for a set of brackets, as shown and described.

DESCRIPTION

FIG. 1 is a front perspective view of a set of brackets showing our new design;
 FIG. 2 is a front view thereof;
 FIG. 3 is a rear view thereof;
 FIG. 4 is a right side view thereof;
 FIG. 5 is a left side view thereof;
 FIG. 6 is a top view thereof;
 FIG. 7 is a bottom view thereof; and,
 FIG. 8 is a perspective view of the bracket shown in isolation.
 The broken line showing of the various unshaded elements of a set of brackets in FIGS. 1-7 represents unclaimed subject matter and forms no part of the claimed design.

1 Claim, 8 Drawing Sheets



(56)

References Cited

U.S. PATENT DOCUMENTS

D767,369 S * 9/2016 Davies D8/349
D800,535 S * 10/2017 Loughlin D8/333
D837,143 S * 1/2019 Sade D13/102

* cited by examiner

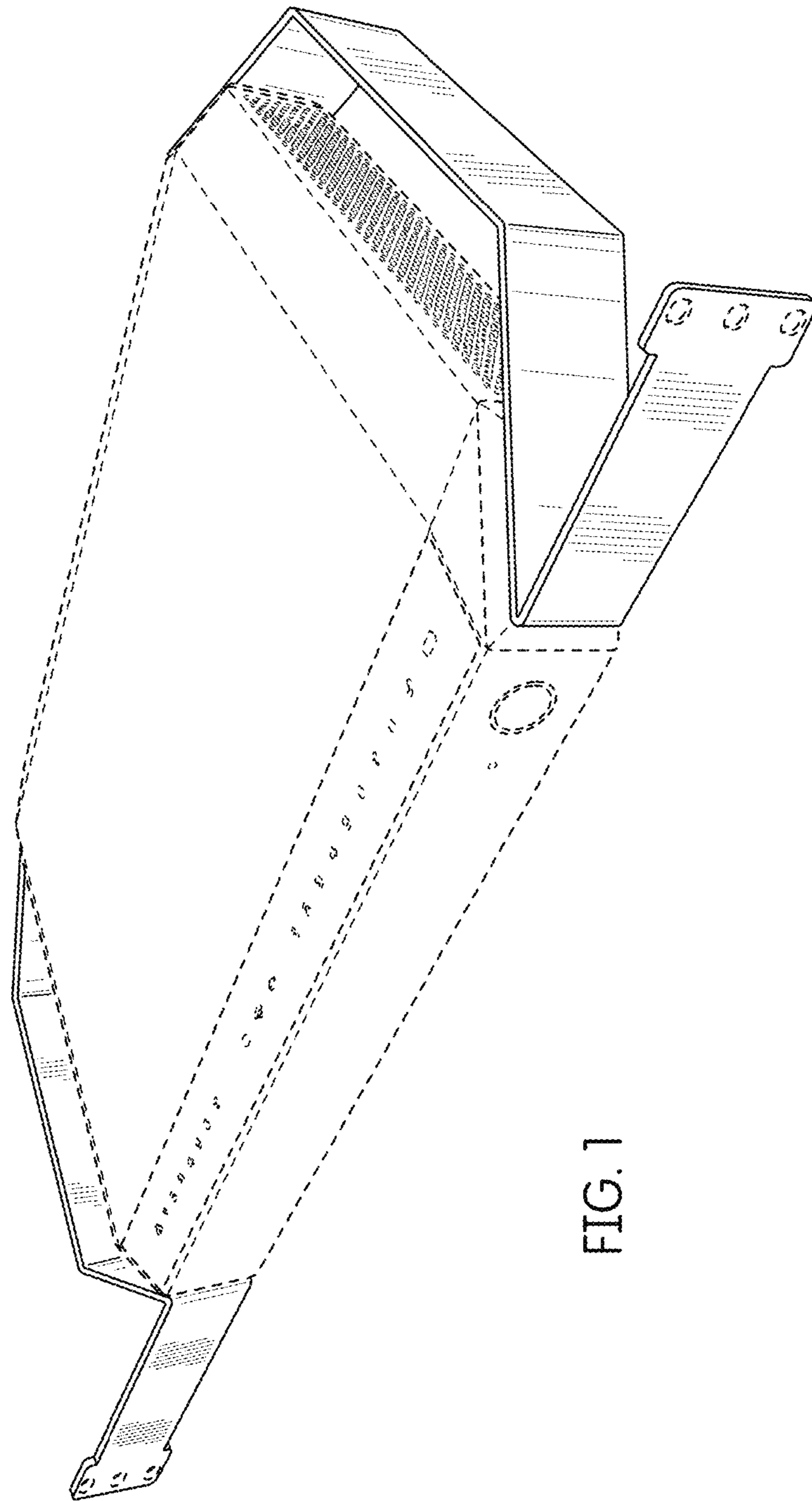


FIG. 1



FIG. 2

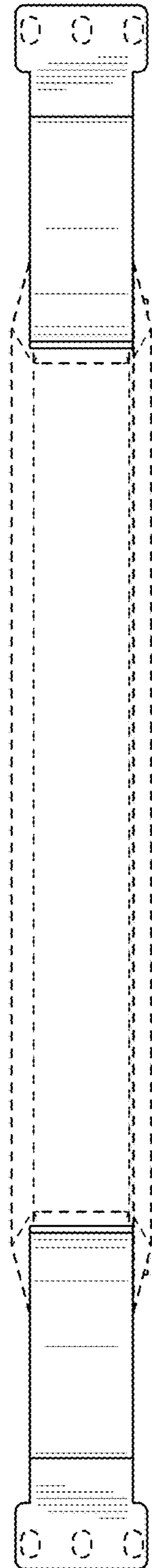


FIG. 3

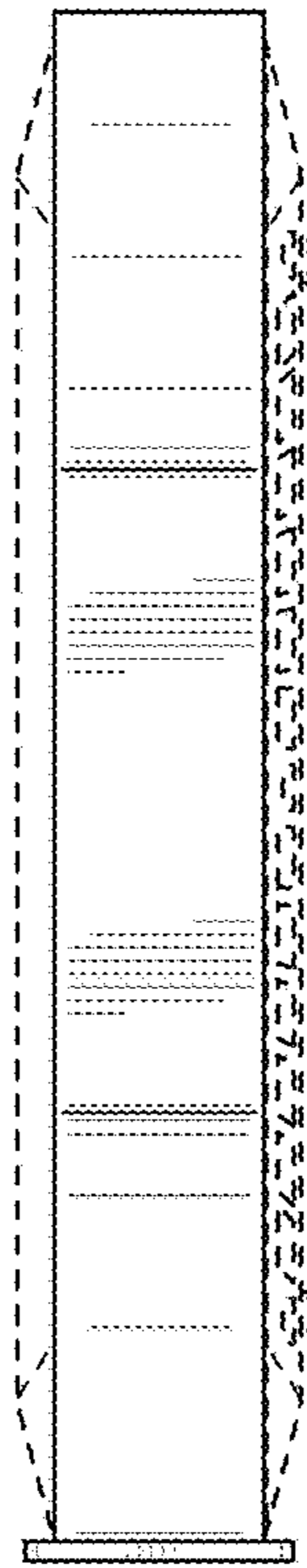


FIG. 4

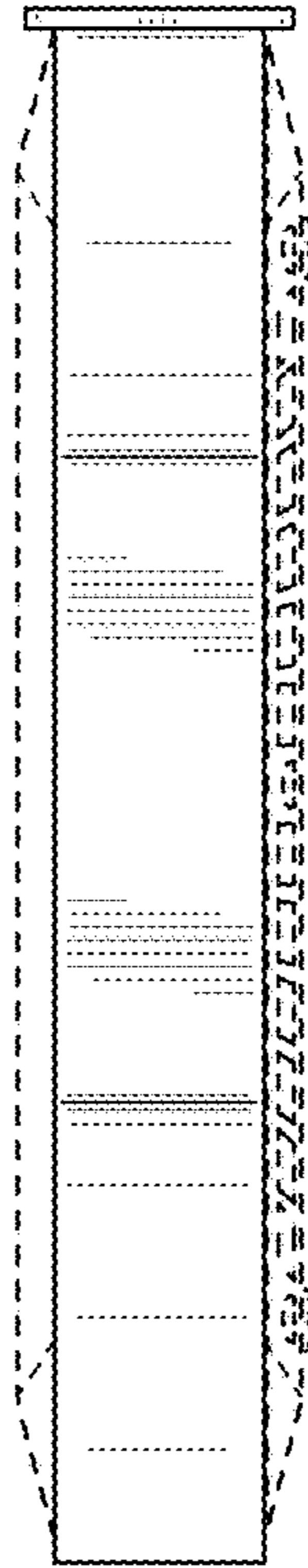


FIG. 5

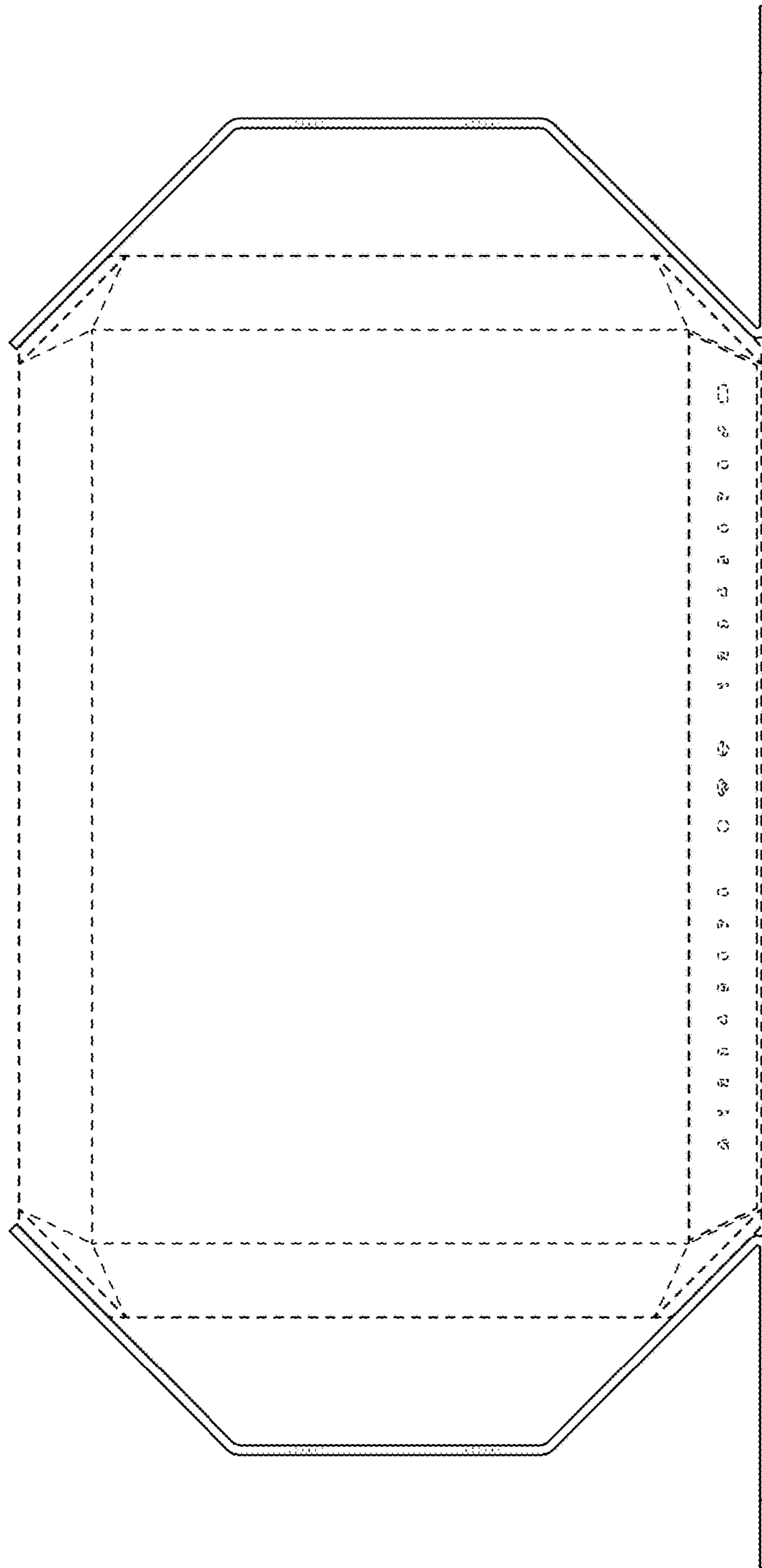


FIG. 6



FIG. 7

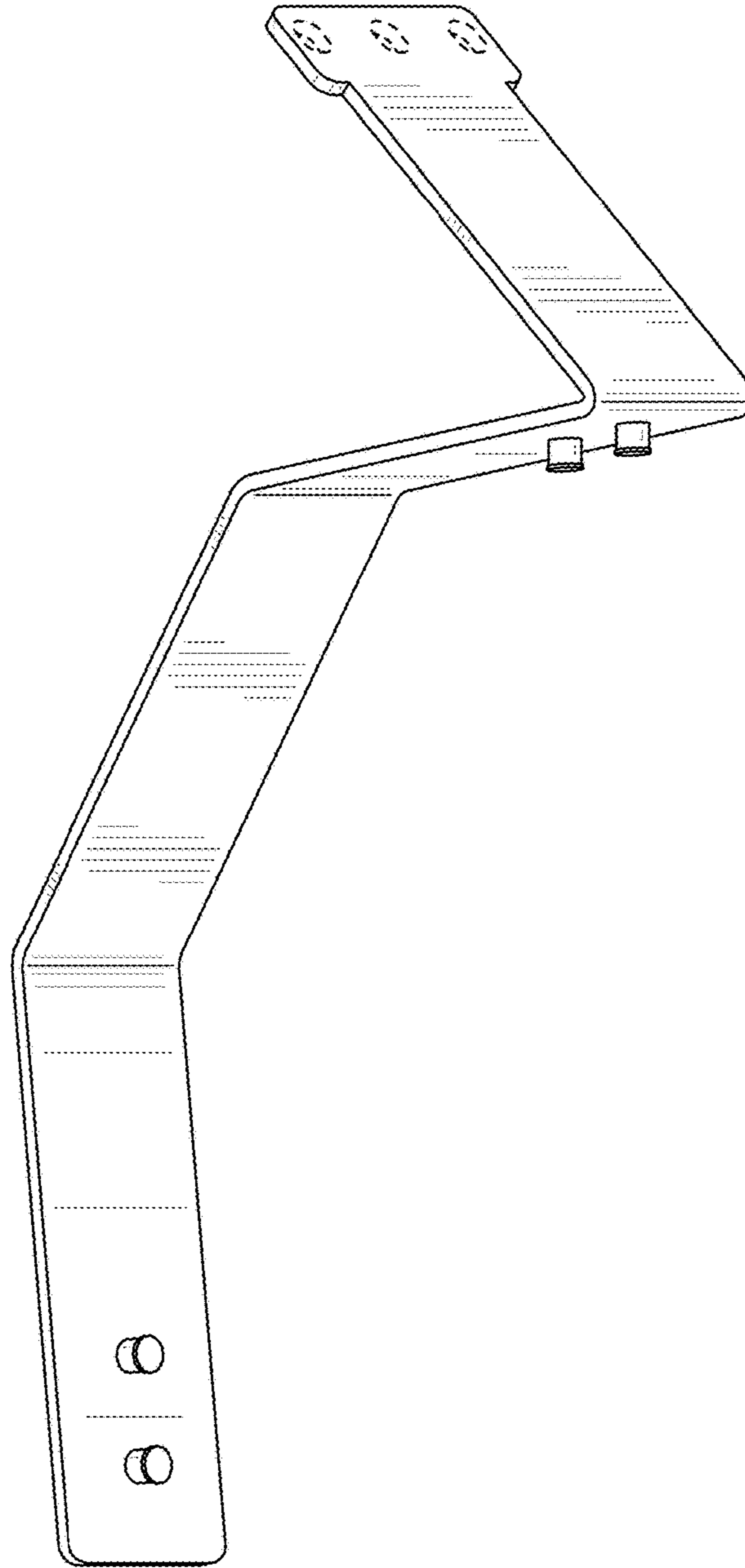


FIG. 8