



US00D856115S

(12) **United States Design Patent** (10) **Patent No.:** **US D856,115 S**
Herrera (45) **Date of Patent:** **** Aug. 13, 2019**

(54) **ELASTIC RING CLIP FOR HOLDING ARTICLES**

(71) Applicant: **Edgar R. Herrera**, Lake Elsinore, CA (US)

(72) Inventor: **Edgar R. Herrera**, Lake Elsinore, CA (US)

(**) Term: **15 Years**

(21) Appl. No.: **29/639,997**

(22) Filed: **Mar. 10, 2018**

(51) **LOC (12) Cl.** **08-08**

(52) **U.S. Cl.**
USPC **D8/349**

(58) **Field of Classification Search**
USPC D6/672, 684, 680, 683.1, 703.5; D8/349, D8/354, 355, 330, 331, 333, 380, 382; D13/154, 133, 129, 199; D22/125; D25/119, 164, 199, 139, 141; D26/138, D26/76, 78, 79, 80
CPC .. F16C 2314/72; F16C 29/0623; F16C 29/06; F16C 29/0609; F16C 29/005; F16C 29/008; F16C 29/04; F16C 29/0657; F16C 29/004; F16C 29/12; A47B 1/10; A47B 88/493; A47B 88/423; A47B 2088/4235; B44C 5/02
See application file for complete search history.

(56) **References Cited**

U.S. PATENT DOCUMENTS

D369,782 S * 5/1996 Hashizawa D13/146
D382,464 S * 8/1997 McCoy D8/373
D439,822 S * 4/2001 Webber D8/331
D471,876 S * 3/2003 Jaag D13/154

D487,013 S * 2/2004 Jenks D8/343
D605,497 S * 12/2009 Lulla D8/354
D663,605 S * 7/2012 Rohde D8/331
D695,090 S * 12/2013 White D8/354
D700,499 S * 3/2014 Tung D8/331
D709,350 S * 7/2014 Mason D8/331
D804,280 S * 12/2017 Atkinson, Jr. D8/331
2003/0122052 A1 * 7/2003 Huang A47B 96/061
248/441.1

* cited by examiner

Primary Examiner — Mark A Goodwin

Assistant Examiner — Benjamin M Weeks

(74) *Attorney, Agent, or Firm* — Inventech Patent Services, LLC

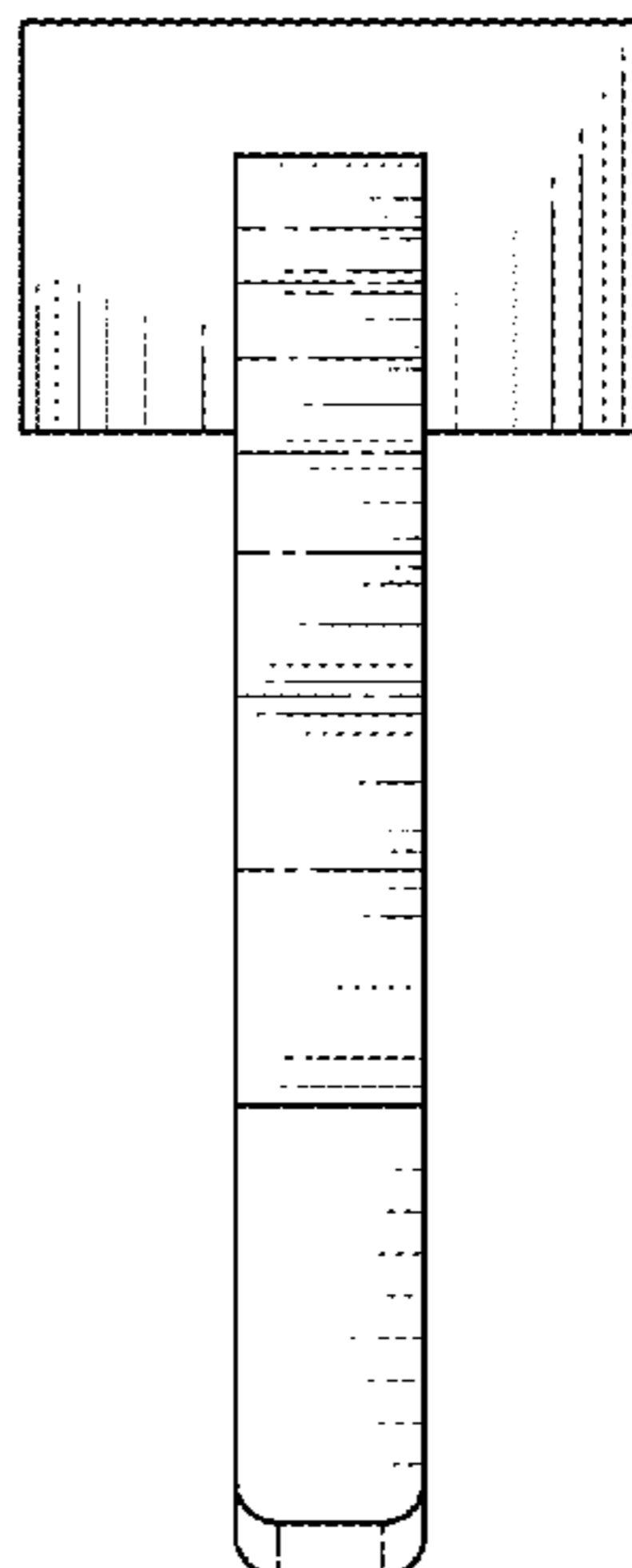
(57) **CLAIM**

I claim the ornamental design for an elastic ring clip for holding articles, as shown and described.

DESCRIPTION

FIG. 1 is a front elevational view of an elastic ring clip for holding articles, showing my new design;
FIG. 2 is a rear elevational view thereof;
FIG. 3 is a left-side elevational view thereof, a right-side elevational view being a mirror image thereof;
FIG. 4 is a top plan view thereof;
FIG. 5 is a bottom plan view thereof;
FIG. 6 is a rear, bottom and left perspective view thereof; and,
FIG. 7 is a rear and right perspective view thereof.
The broken lines showing portions of a paint brush and a container in FIG. 7 are included for the purpose of illustrating the invention in use, and form no part of the claimed design.

1 Claim, 4 Drawing Sheets



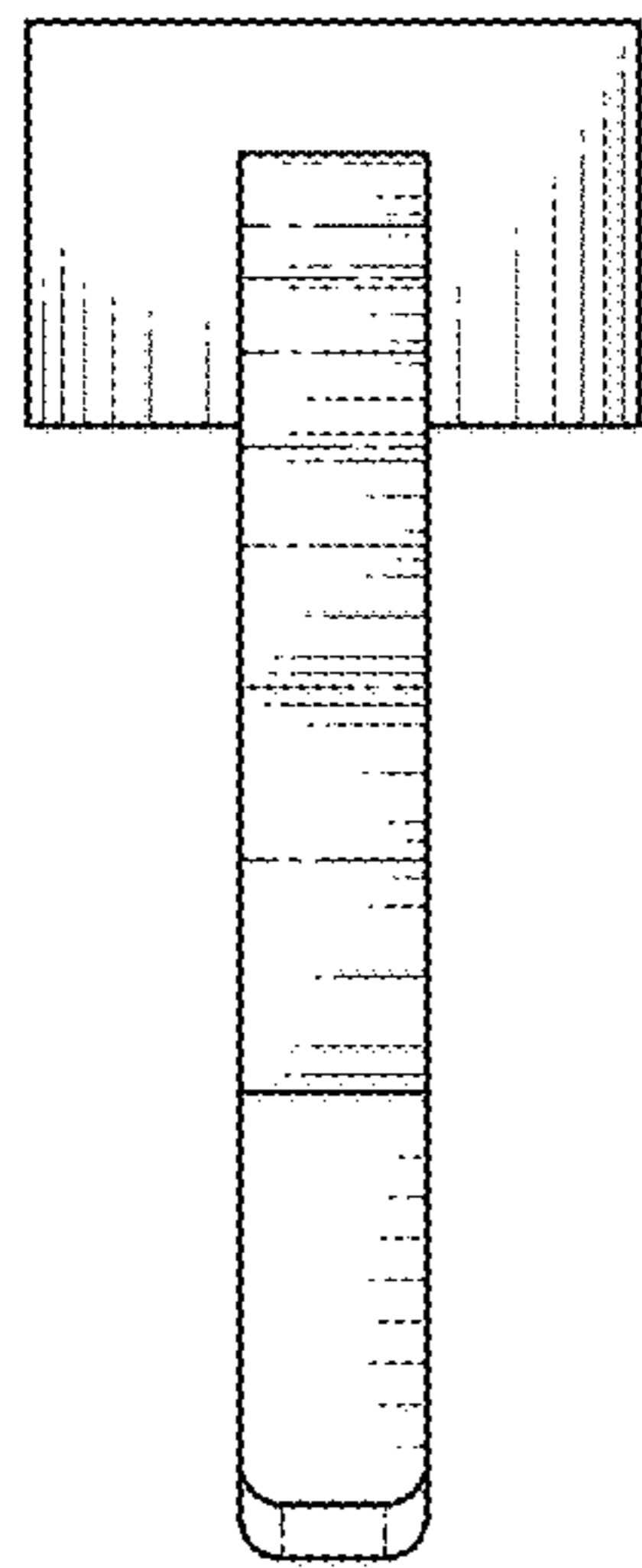


FIG. 1

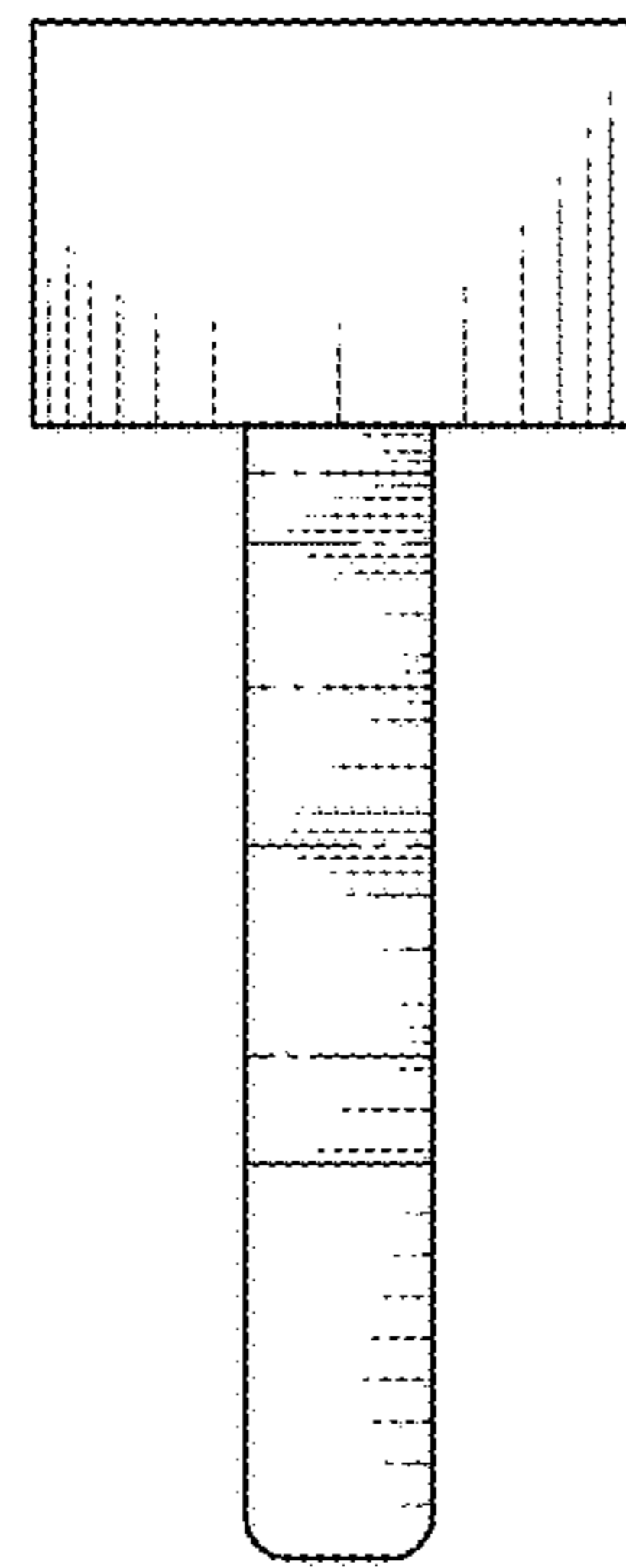


FIG. 2

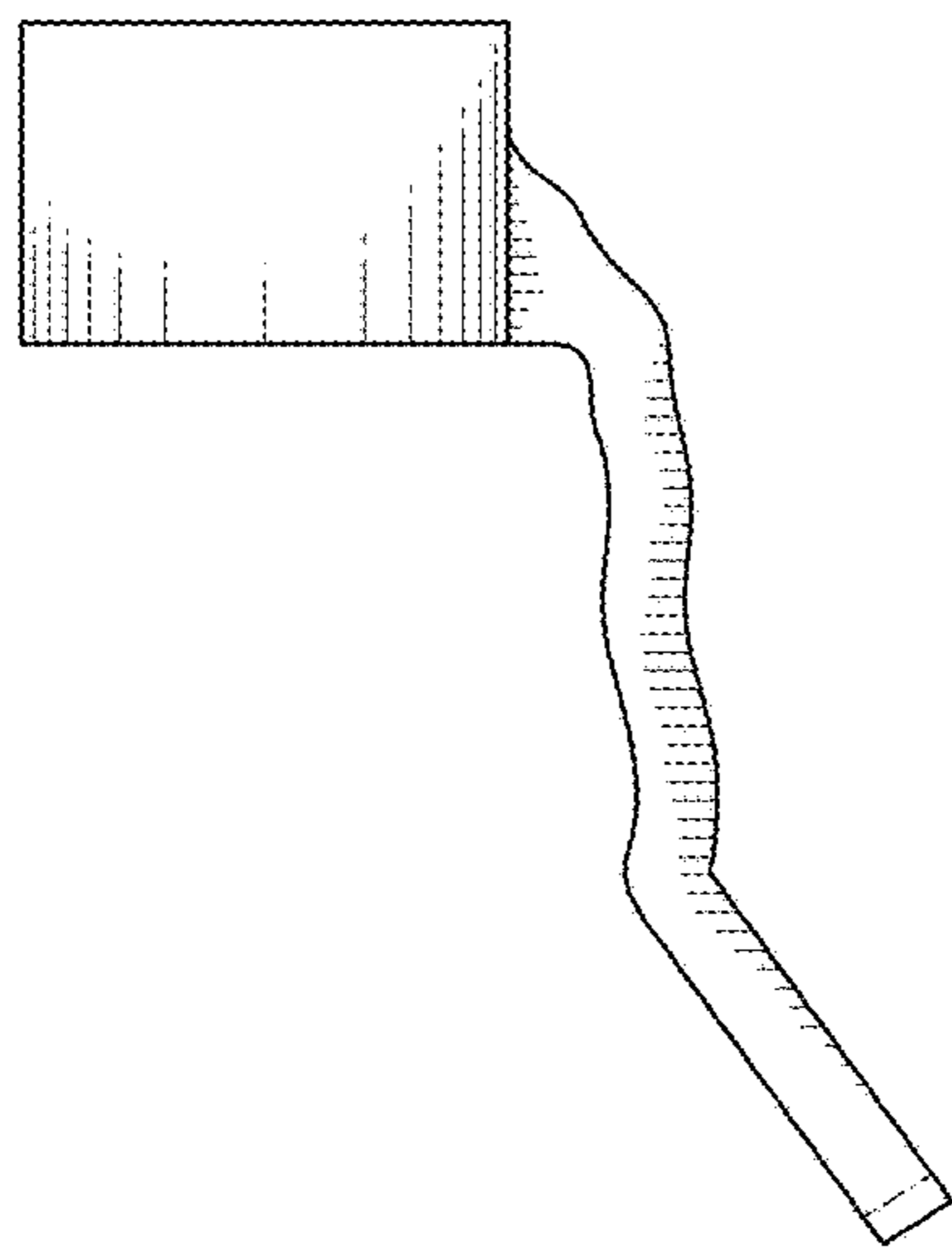


FIG. 3

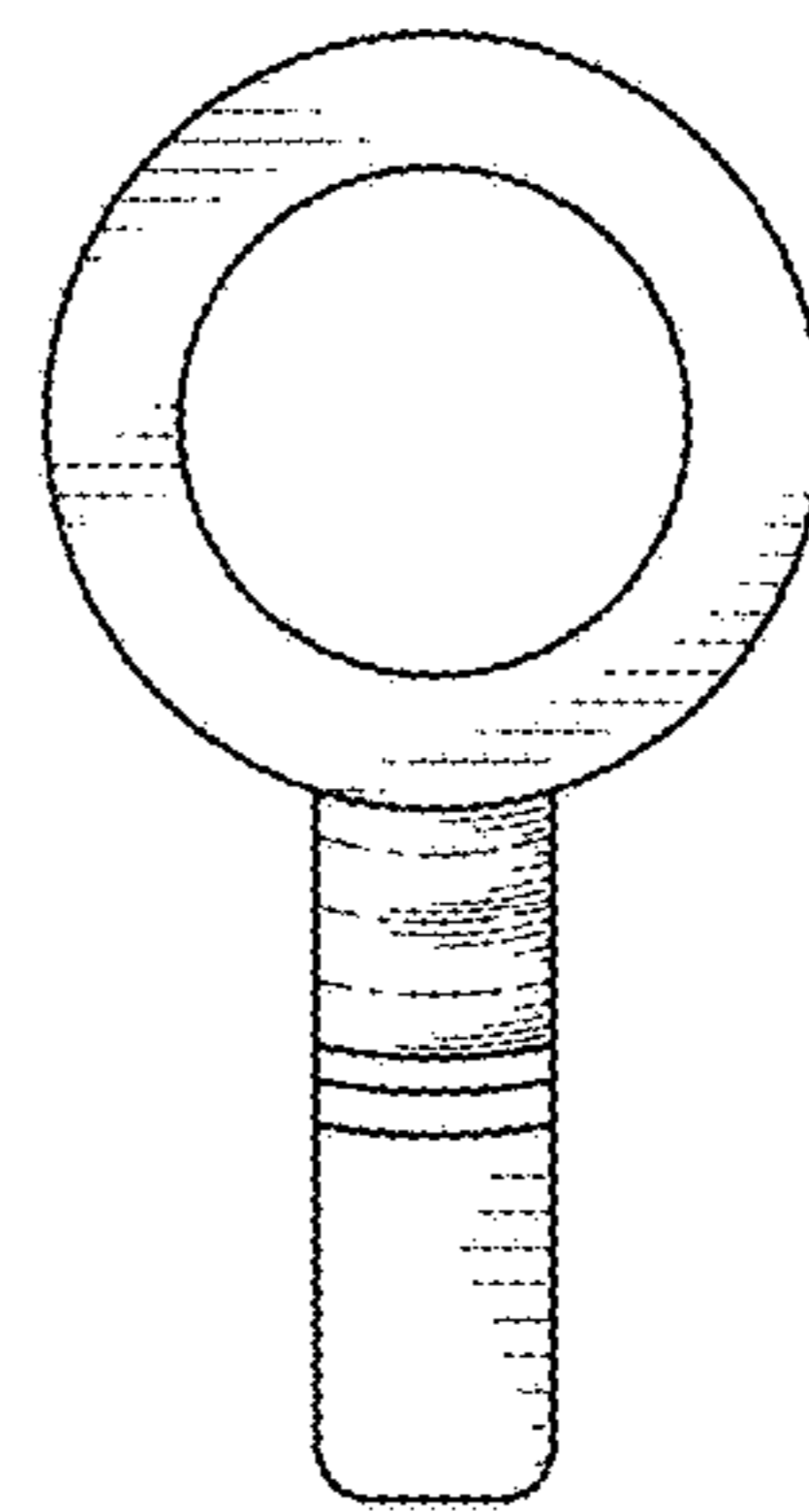


FIG. 4

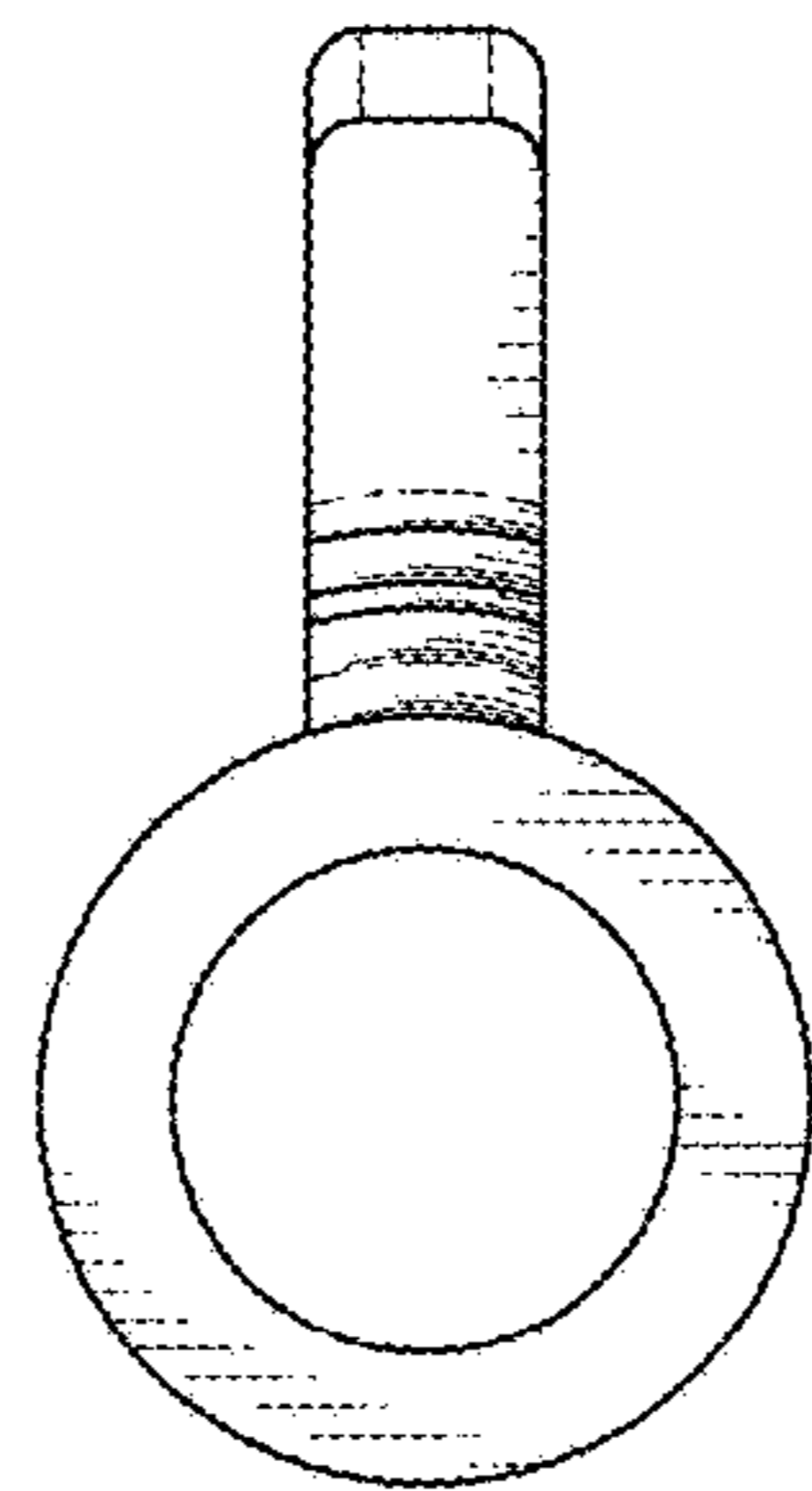


FIG. 5

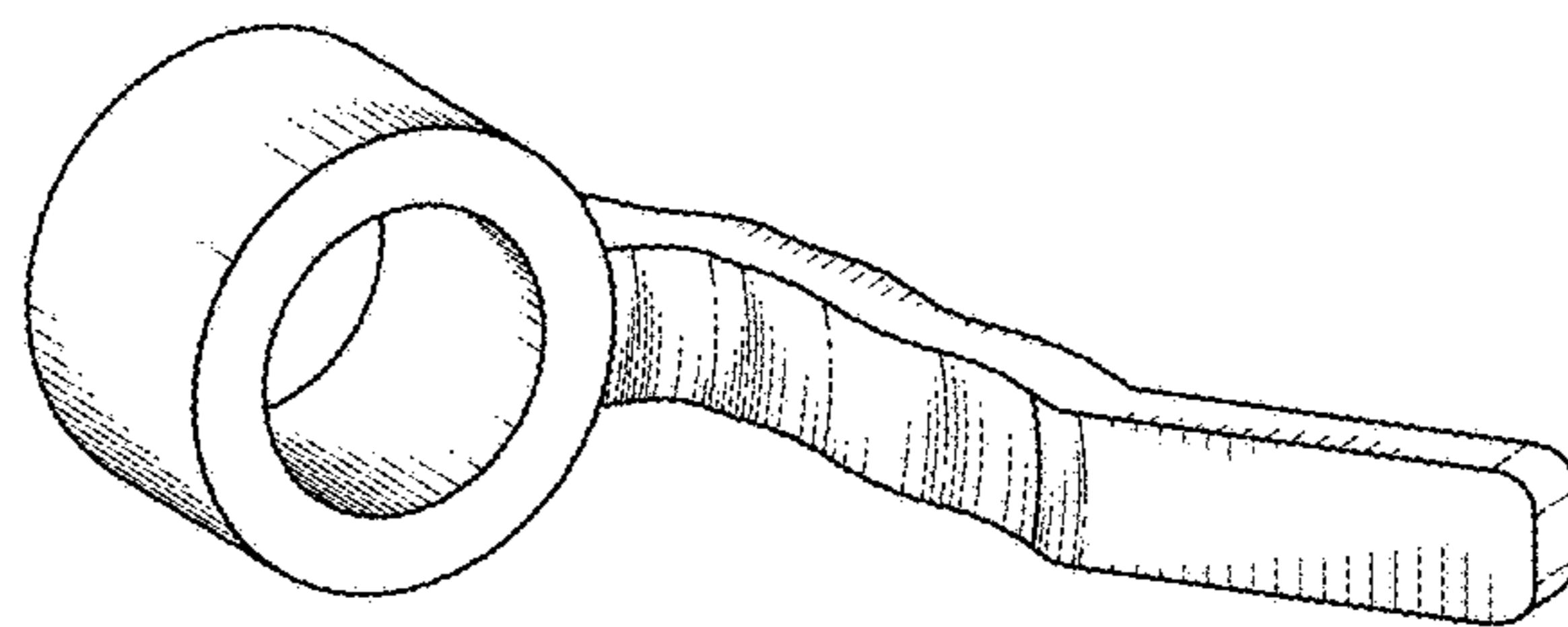


FIG. 6

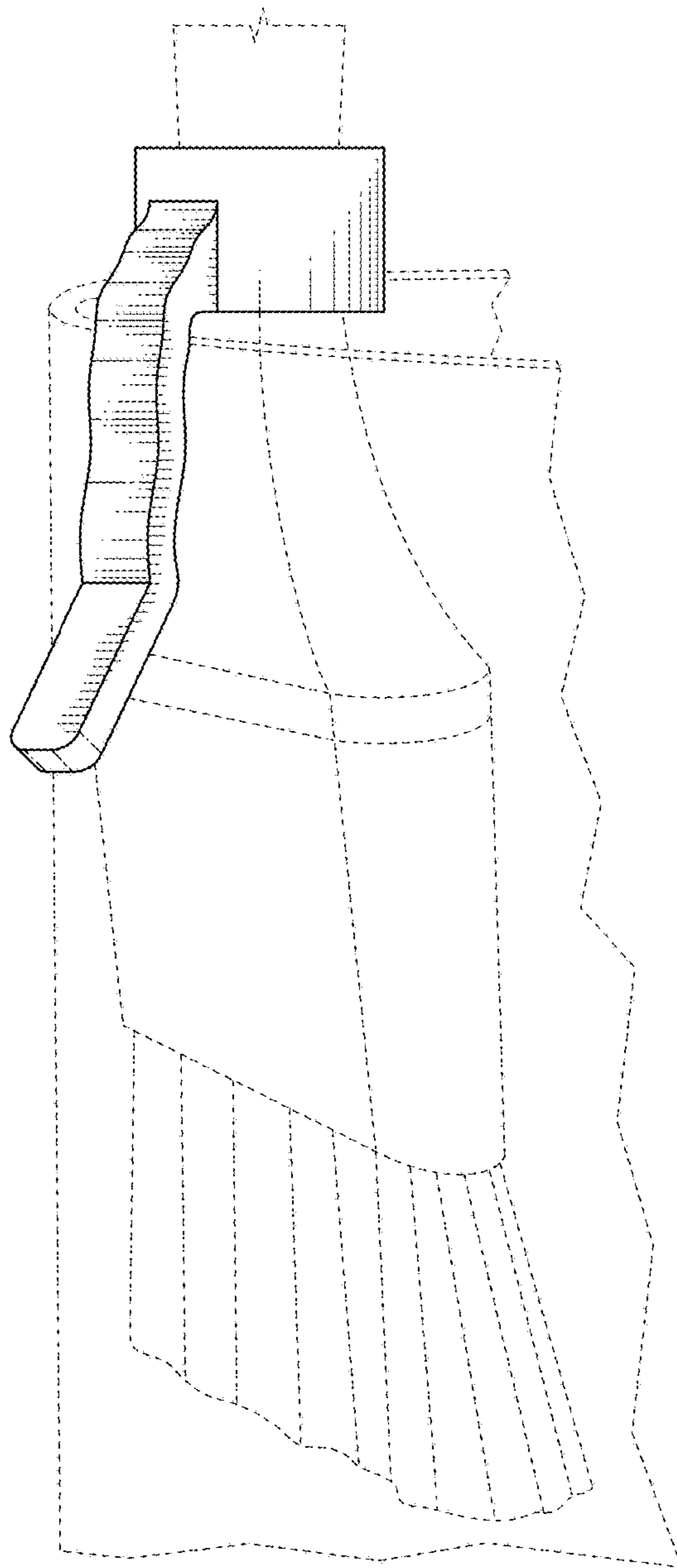


FIG. 7