



US00D856114S

(12) **United States Design Patent**
Poppell

(10) **Patent No.:** **US D856,114 S**

(45) **Date of Patent:** **** Aug. 13, 2019**

- (54) **BRACKET WITH GUSSET**
- (71) Applicant: **Braceall, LLC**, Vero Beach, FL (US)
- (72) Inventor: **Lanny Ralph Poppell**, Vero Beach, FL (US)
- (73) Assignee: **Braceall, LLC**, Vero Beach, FL (US)
- (**) Term: **15 Years**
- (21) Appl. No.: **29/632,218**
- (22) Filed: **Jan. 5, 2018**
- (51) **LOC (12) Cl.** **08-08**
- (52) **U.S. Cl.**
USPC **D8/349**
- (58) **Field of Classification Search**
USPC D6/672, 684, 680, 683.1, 703.5; D8/349, D8/354, 355, 330, 331, 333, 380, 382; D13/154, 133, 129, 199; D22/125; D25/119, 164, 199, 139, 141; D26/138, D26/76, 78, 79, 80
CPC .. F16C 2314/72; F16C 29/0623; F16C 29/06; F16C 29/0609; F16C 29/005; F16C 29/008; F16C 29/04; F16C 29/0657; F16C 29/004; F16C 29/12; A47B 1/10; A47B 88/493; A47B 88/423; A47B 2088/4235; B44C 5/02
See application file for complete search history.

(56) **References Cited**

U.S. PATENT DOCUMENTS

D265,285 S	7/1982	Englert, Jr.	
D306,964 S	4/1990	Zupancic	
D371,292 S *	7/1996	Baker	D8/333
D382,464 S	8/1997	McCoy et al.	
D410,052 S	5/1999	Davis et al.	
D491,054 S	6/2004	Caterinacci, Jr.	
D513,973 S *	1/2006	Cheung	D8/394
D520,322 S	5/2006	Orlando	

D523,736 S	6/2006	Lu	
D543,834 S	6/2007	Worthy	
D549,073 S *	8/2007	Gilbert	D8/330
D551,538 S	9/2007	Pearce	
D559,081 S	1/2008	Myers	
D571,640 S	6/2008	Misch	
D586,206 S	2/2009	Robbins et al.	
D599,193 S	9/2009	Meyer et al.	
D718,604 S *	12/2014	Boo	D7/402
D729,043 S *	5/2015	Poppell	D8/354
D736,779 S *	8/2015	Moon	D14/448
D747,281 S *	1/2016	Andresen	D13/199
D752,417 S *	3/2016	Witting	D8/354
D789,334 S *	6/2017	Han	D14/239
D798,698 S *	10/2017	Shih	D8/383
D804,088 S *	11/2017	Boorum	D26/138

(Continued)

Primary Examiner — Mark A Goodwin

Assistant Examiner — Benjamin M Weeks

(74) *Attorney, Agent, or Firm* — Oblon, McClelland, Maier & Neustadt, L.L.P.

(57) **CLAIM**

The ornamental design for a bracket with gusset, as shown and described.

DESCRIPTION

The present application is related to U.S. Design Pat. No. D729,043, filed Sep. 14, 2014, as U.S. application Ser. No. 29/432,424, the entire contents and disclosure of which are incorporated by reference herein.

FIG. 1 is a rear, bottom, and left side perspective view of a bracket with gusset;

FIG. 2 is a front, top, and right side perspective view of

FIG. 3 is a rear elevational view thereof;

FIG. 4 is a front elevational view thereof;

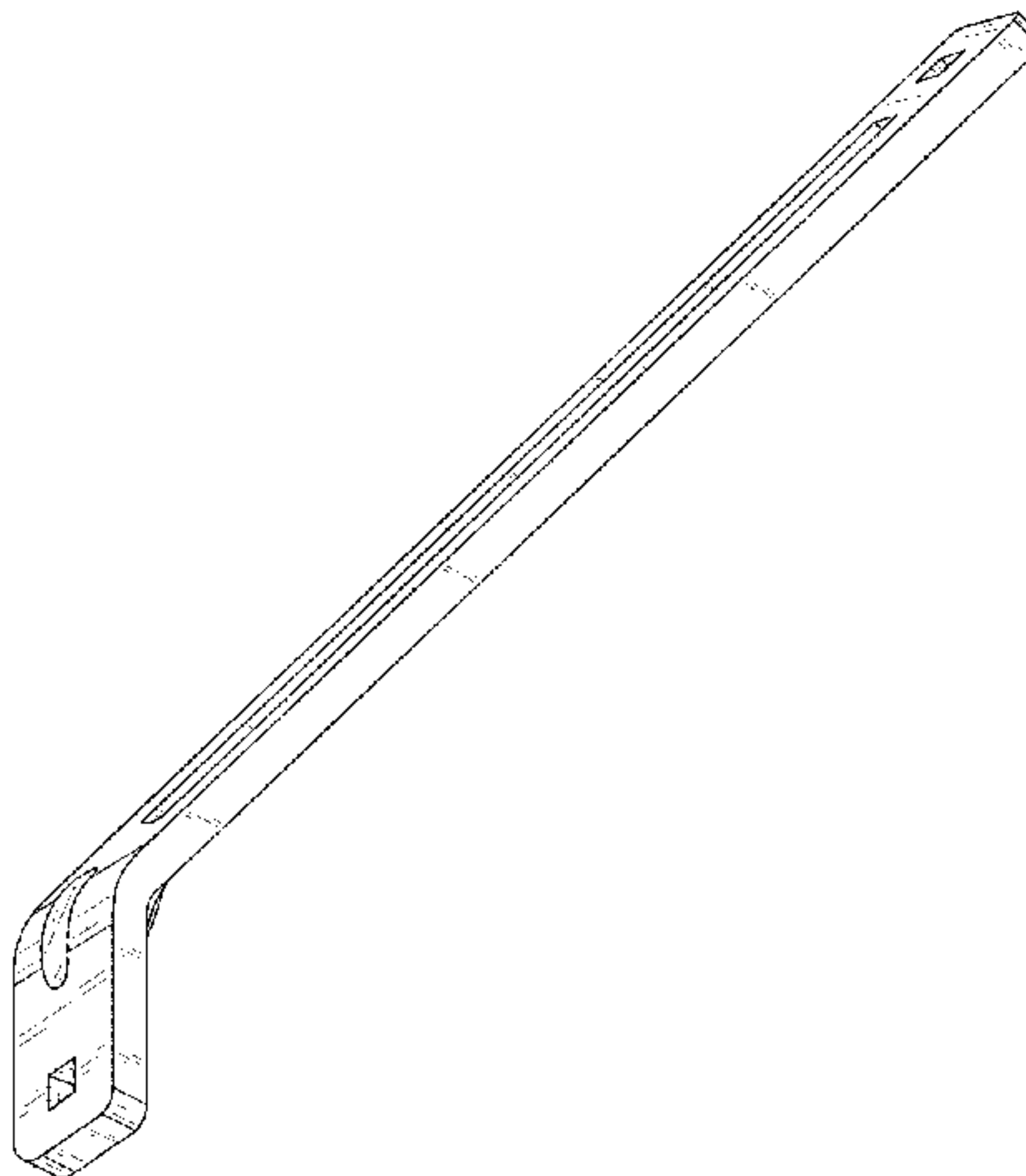
FIG. 5 is a right side elevational view thereof;

FIG. 6 is a left side elevational view thereof;

FIG. 7 is a top plan view thereof; and,

FIG. 8 is a bottom plan view thereof.

1 Claim, 5 Drawing Sheets



(56)

References Cited

U.S. PATENT DOCUMENTS

D814,906 S *	4/2018	Pine	D8/349
D840,787 S *	2/2019	Pine	D8/349
2013/0077900 A1 *	3/2013	Lowe	A47B 88/493 384/18
2015/0201752 A1 *	7/2015	Chen	F16C 29/004 384/18

* cited by examiner

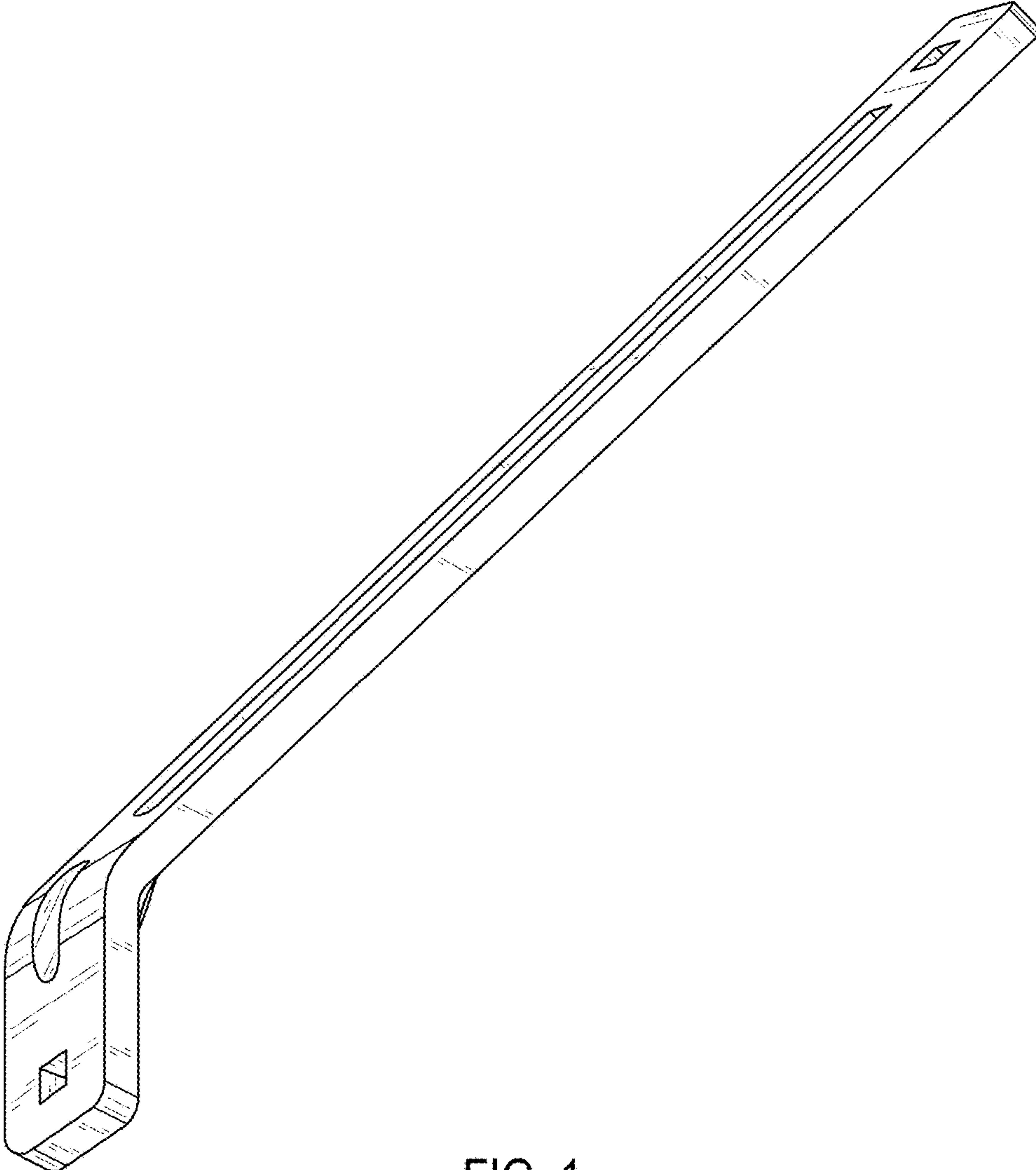


FIG. 1

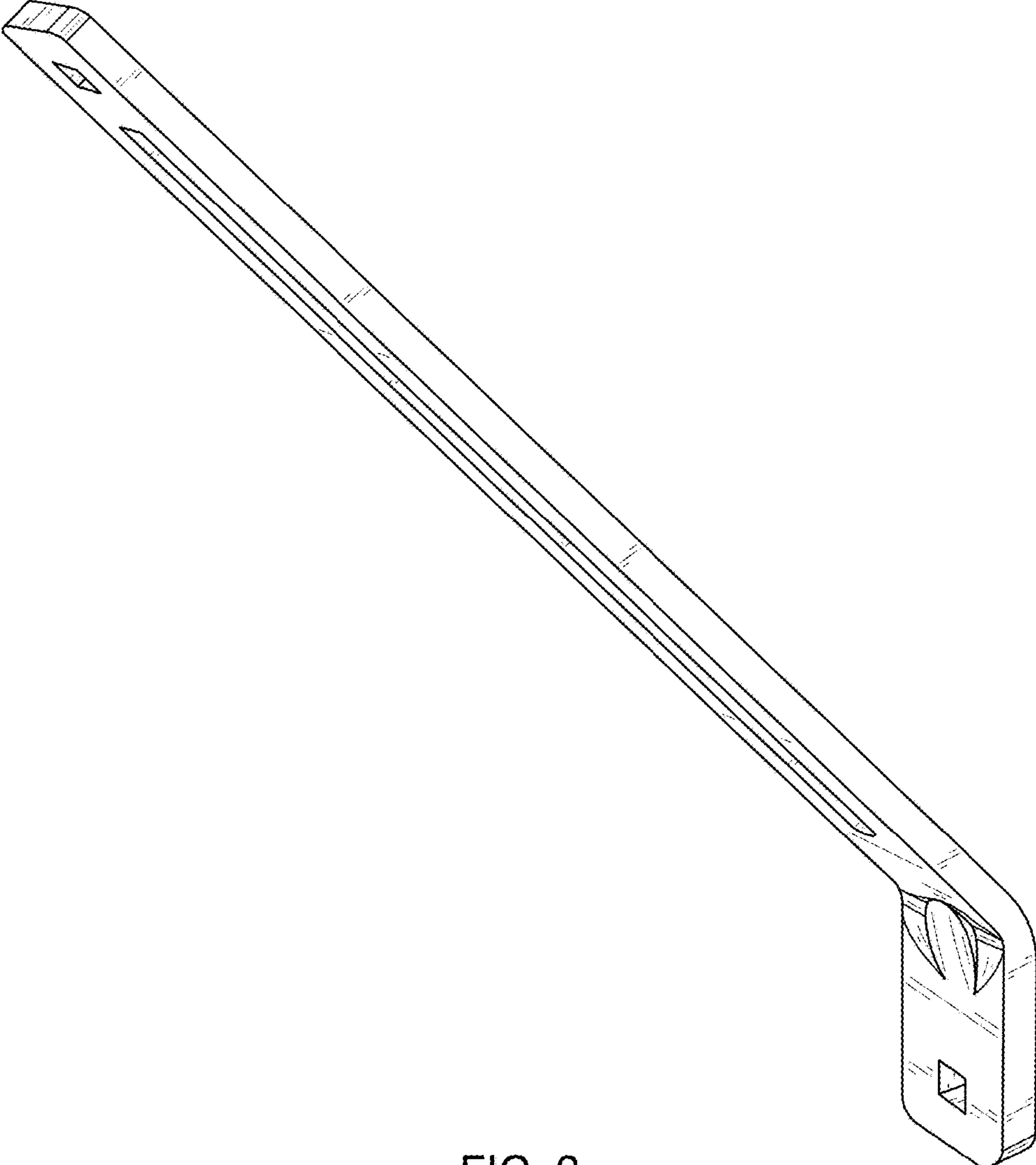


FIG. 2

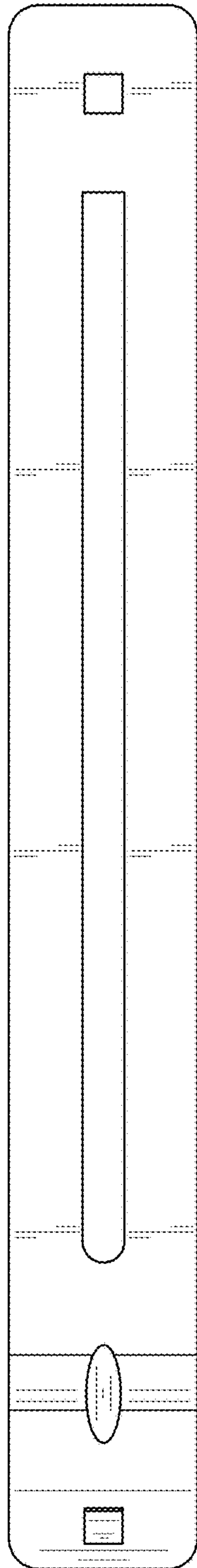


FIG. 3

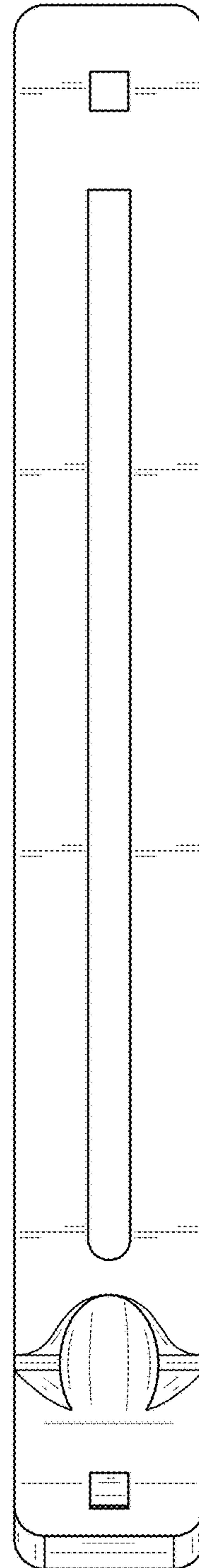


FIG. 4

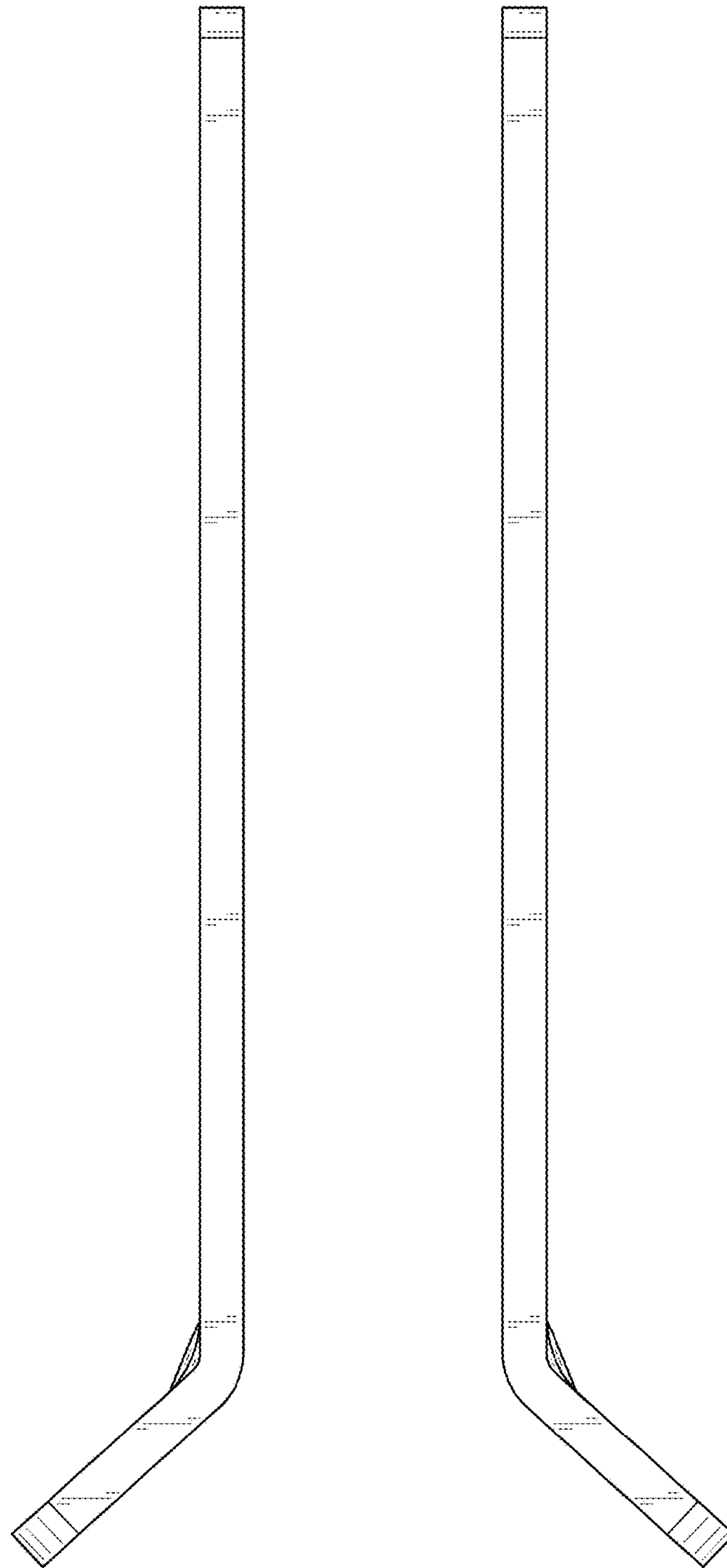


FIG. 5

FIG. 6

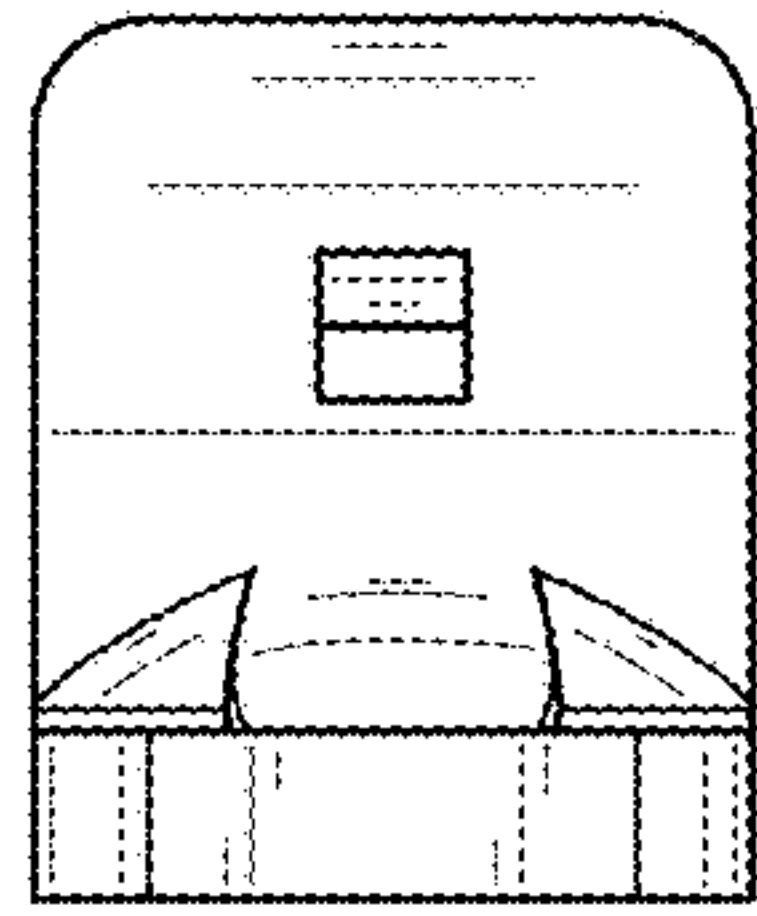


FIG. 7

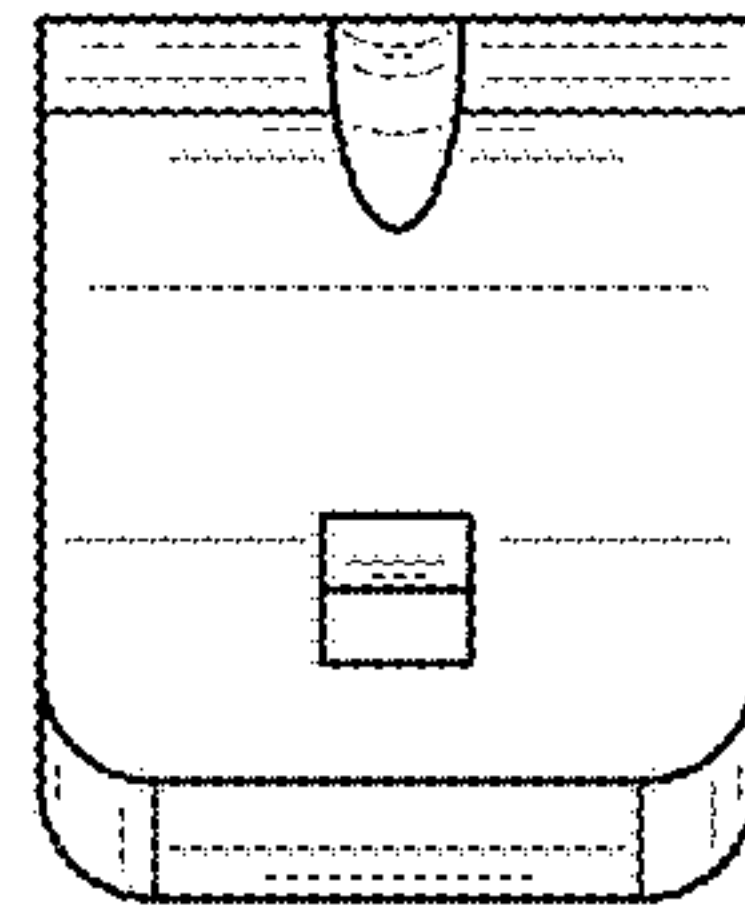


FIG. 8