



US00D856113S

(12) **United States Design Patent** (10) **Patent No.:** **US D856,113 S**  
**Lindo** (45) **Date of Patent:** **\*\* Aug. 13, 2019**

(54) **ACTUATOR KNOB FOR ROD AND TUBE ASSEMBLY**

(71) Applicant: **Southco, Inc.**, Concordville, PA (US)

(72) Inventor: **Benjamin Gerald Lindo**, Philadelphia, PA (US)

(73) Assignee: **Southco, Inc.**, Concordville, PA (US)

(\*\*) Term: **15 Years**

(21) Appl. No.: **29/681,823**

(22) Filed: **Feb. 28, 2019**

**Related U.S. Application Data**

(62) Division of application No. 29/555,911, filed on Feb. 25, 2016.

(51) **LOC (12) Cl.** ..... **08-06**

(52) **U.S. Cl.**  
USPC ..... **D8/303; D8/302**

(58) **Field of Classification Search**  
USPC ..... D8/107, 300, 302, 303, 307; D14/412, D14/415, 416; D15/10; D12/179  
CPC .... H01H 13/14; H01H 25/041; H01H 25/008; H01H 2221/012; H01H 2025/043; H01H 13/705; H01H 2025/046; H01H 2239/006; H01H 2215/006; H01H 2003/0293; H01H 3/12; H01H 13/84; H01H 2205/002; H01H 9/0214; H01H 9/0235; B62D 1/12; B62D 11/183; B62D 1/046; B62D 11/006; Y10T 74/20201; Y10T 74/20012; Y10T 74/20396; Y10T 74/20256; Y10T 74/20612; Y10T 74/20073; Y10T 137/87072; Y10T 74/20207; Y10T 74/2014; Y10T 74/2042; G05G 9/047; G05G 2009/04774

See application file for complete search history.

(56) **References Cited**

U.S. PATENT DOCUMENTS

D187,842 S \* 5/1960 Jeys ..... D3/16  
D188,534 S \* 8/1960 Howard ..... D12/179  
D393,583 S \* 4/1998 Nagano ..... D8/303  
D409,463 S \* 5/1999 McMullin ..... D8/21  
5,988,587 A \* 11/1999 Duchon ..... G05G 1/04  
251/129.04

(Continued)

OTHER PUBLICATIONS

Japanese Notice of Reasons for Rejection for Japanese Application No. 2016-018089, with translation, dated Sep. 6, 2016—2 pages.

(Continued)

*Primary Examiner* — Lauren R Calve

(74) *Attorney, Agent, or Firm* — RatnerPrestia

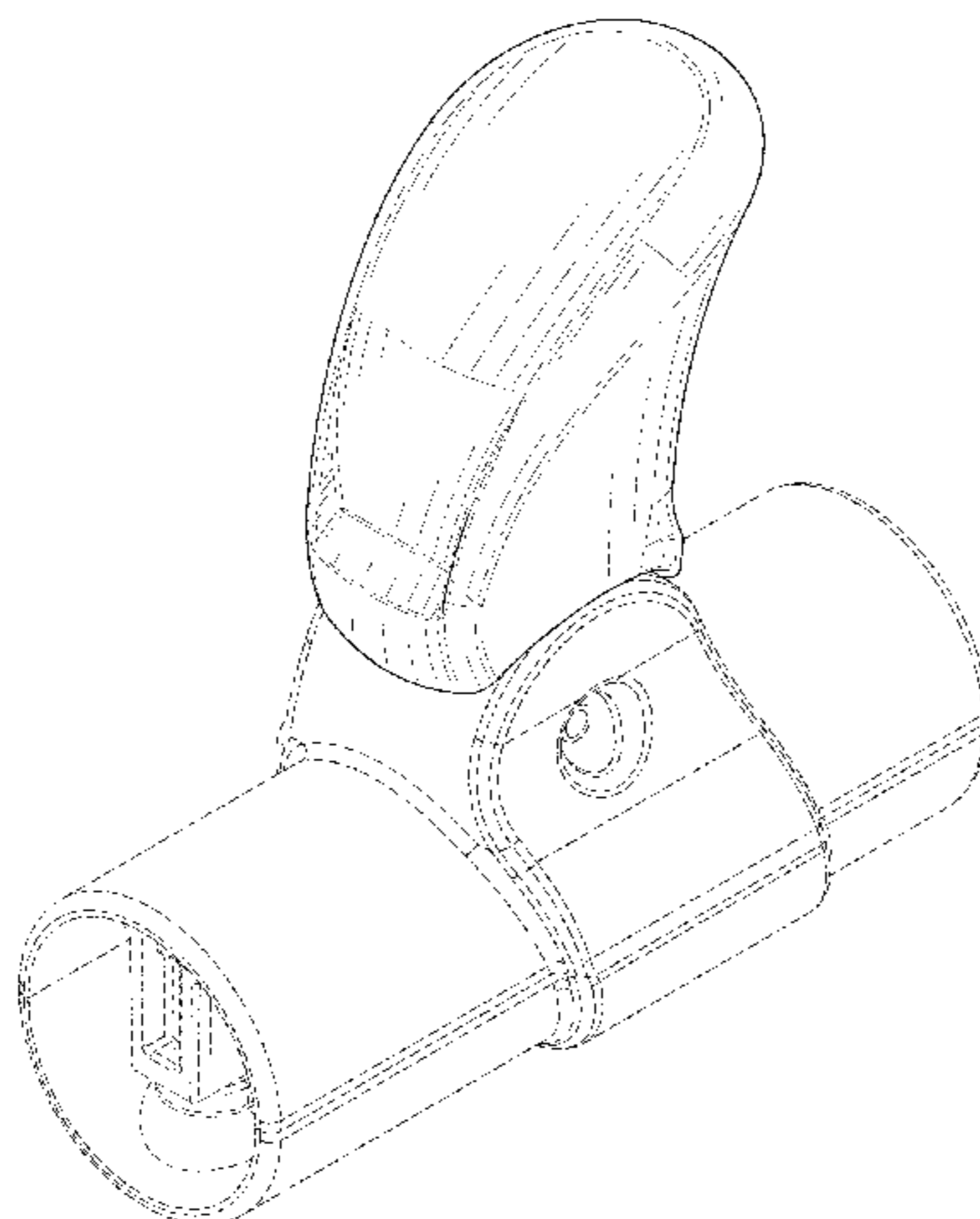
(57) **CLAIM**

The ornamental design for an actuator knob for rod and tube assembly, as shown and described.

**DESCRIPTION**

FIG. 1 is an isometric top view of an actuator knob for rod and tube assembly;  
FIG. 2 is an isometric bottom view thereof;  
FIG. 3 is a top view thereof;  
FIG. 4 is a bottom view thereof;  
FIG. 5 is a front view thereof;  
FIG. 6 is a rear view thereof;  
FIG. 7 is a right side view thereof;  
FIG. 8 is a left side view thereof; and,  
FIG. 9 is a right side view thereof shown in an alternate position.

(Continued)



The broken line showing of the actuator knob for rod and tube assembly is for the purpose of illustrating portions of the actuator knob for rod and tube assembly and forms no part of the claimed design.

**1 Claim, 7 Drawing Sheets**

(56)

**References Cited**

U.S. PATENT DOCUMENTS

D440,918	S	*	4/2001	Pfeiffer	.....	D12/179
D441,632	S	*	5/2001	Raab	.....	D8/107
D463,765	S	*	10/2002	Pfeiffer	.....	D12/179
D572,563	S	*	7/2008	McRoberts	.....	D8/107
D633,355	S	*	3/2011	McCray	.....	D8/107
8,042,427	B2	*	10/2011	Kawakami	.....	B62K 23/06 74/489
D655,147	S	*	3/2012	Zorovich	.....	D8/107
D672,544	S	*	12/2012	Muller	.....	D3/10
D721,308	S	*	1/2015	Kakinuma	.....	D12/179
D738,184	S	*	9/2015	Harvey	.....	D8/303
D743,238	S	*	11/2015	Badollet	.....	D8/303

D771,466	S	*	11/2016	Cote	.....	D8/107
D782,897	S	*	4/2017	Harvey	.....	D8/303
D850,235	S	*	6/2019	Lindo	.....	D8/303
2007/0062006	A1	*	3/2007	Wright, Jr.	.....	B25F 5/02 16/430
2012/0137821	A1	*	6/2012	Badollet	.....	B62K 21/26 74/551.9
2013/0263438	A1	*	10/2013	Burns	.....	A61B 8/44 29/592.1
2013/0276844	A1	*	10/2013	Moulton	.....	A61H 3/03 135/67
2014/0310917	A1	*	10/2014	Harvey	.....	B25G 1/01 16/421
2015/0362064	A1	*	12/2015	Nishijima	.....	G05G 1/06 74/473.3
2016/0023262	A1	*	1/2016	Chen	.....	B21D 43/003 72/393
2018/0004310	A1	*	1/2018	Drum	.....	G06F 3/0338

OTHER PUBLICATIONS

Entire patent prosecution history of U.S. Appl. No. 29/555,911, filed Feb. 25, 2016, entitled, "Actuator Knob for Rod and Tube Assembly."

\* cited by examiner

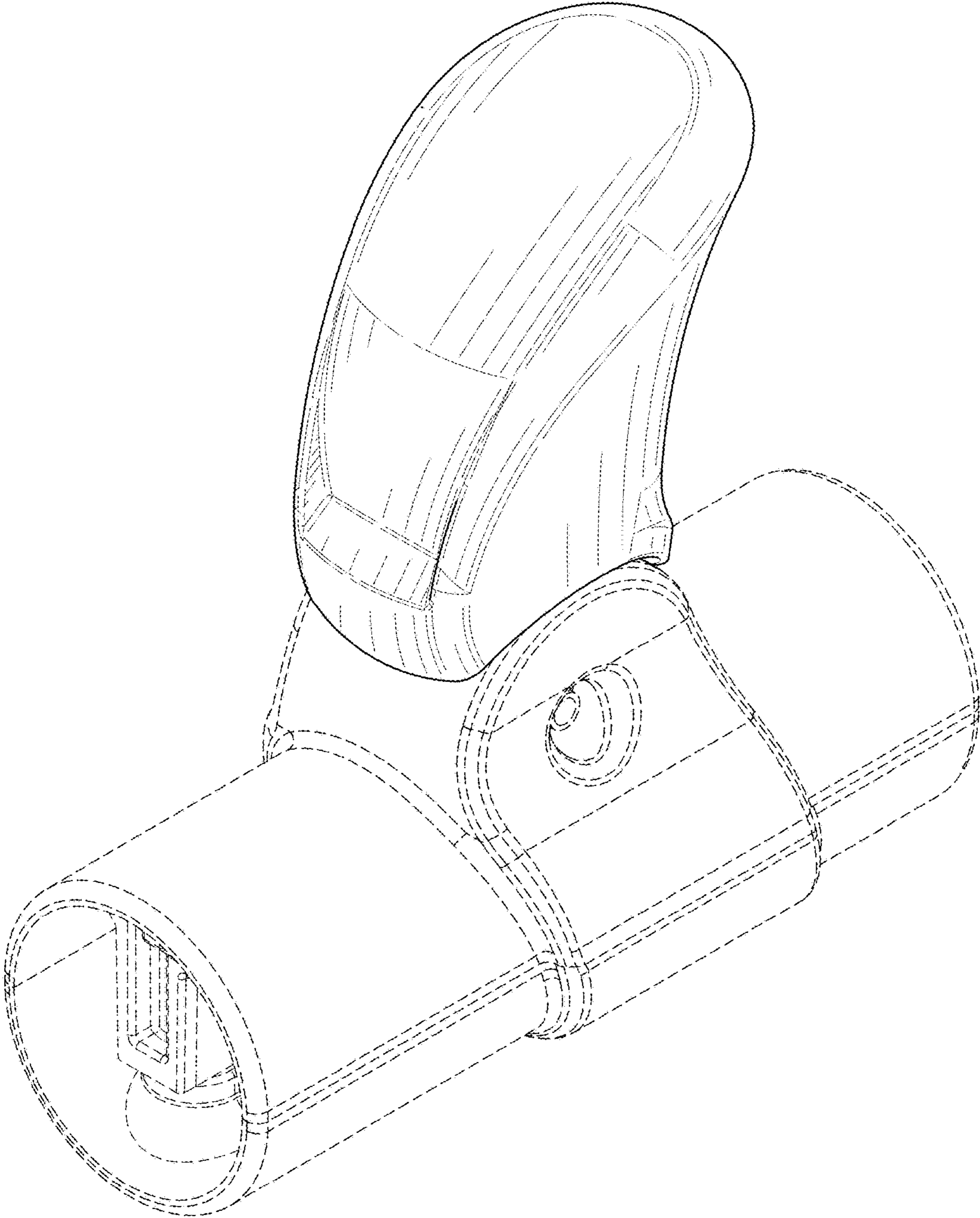


FIG 1

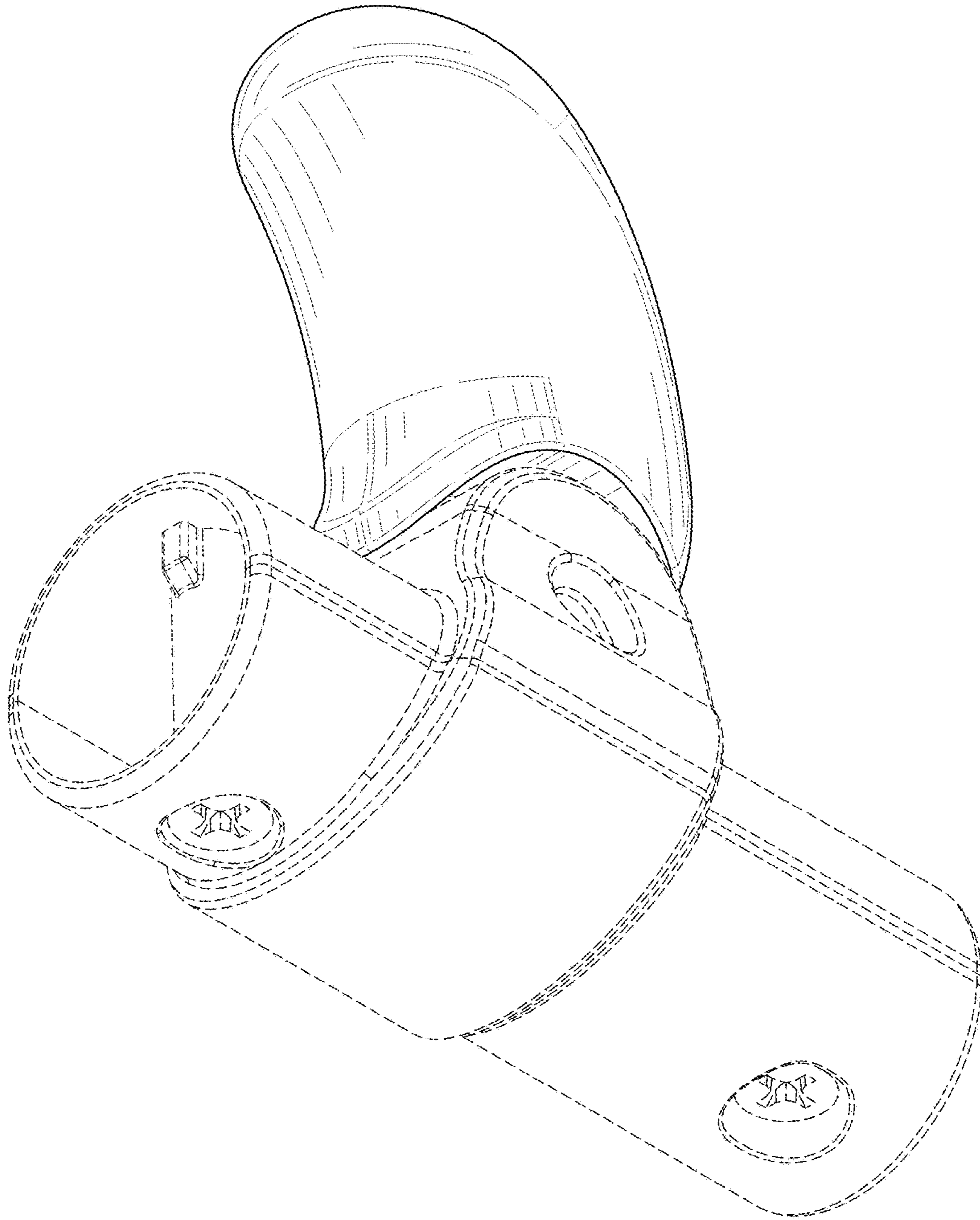


FIG 2

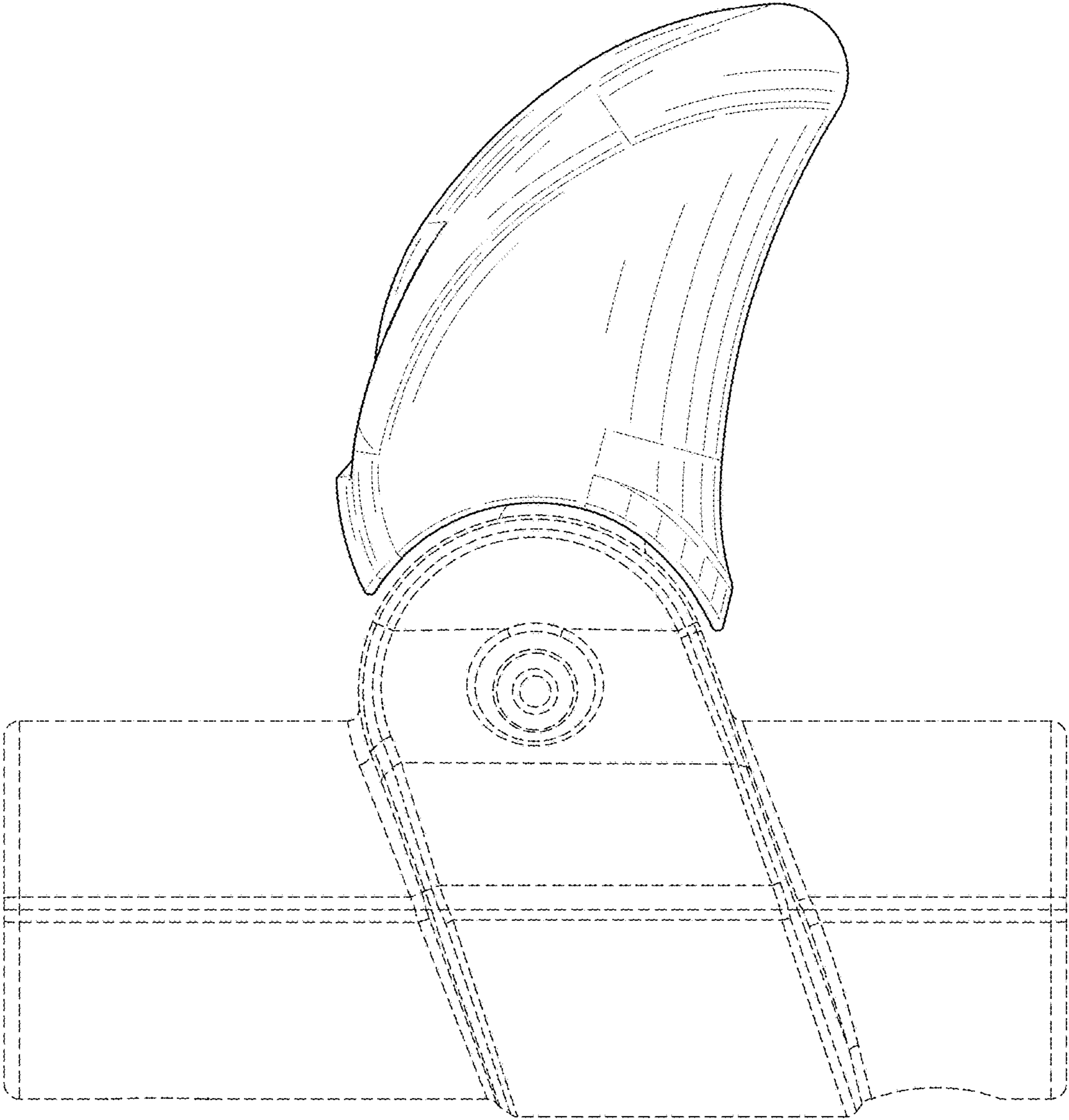


FIG 3

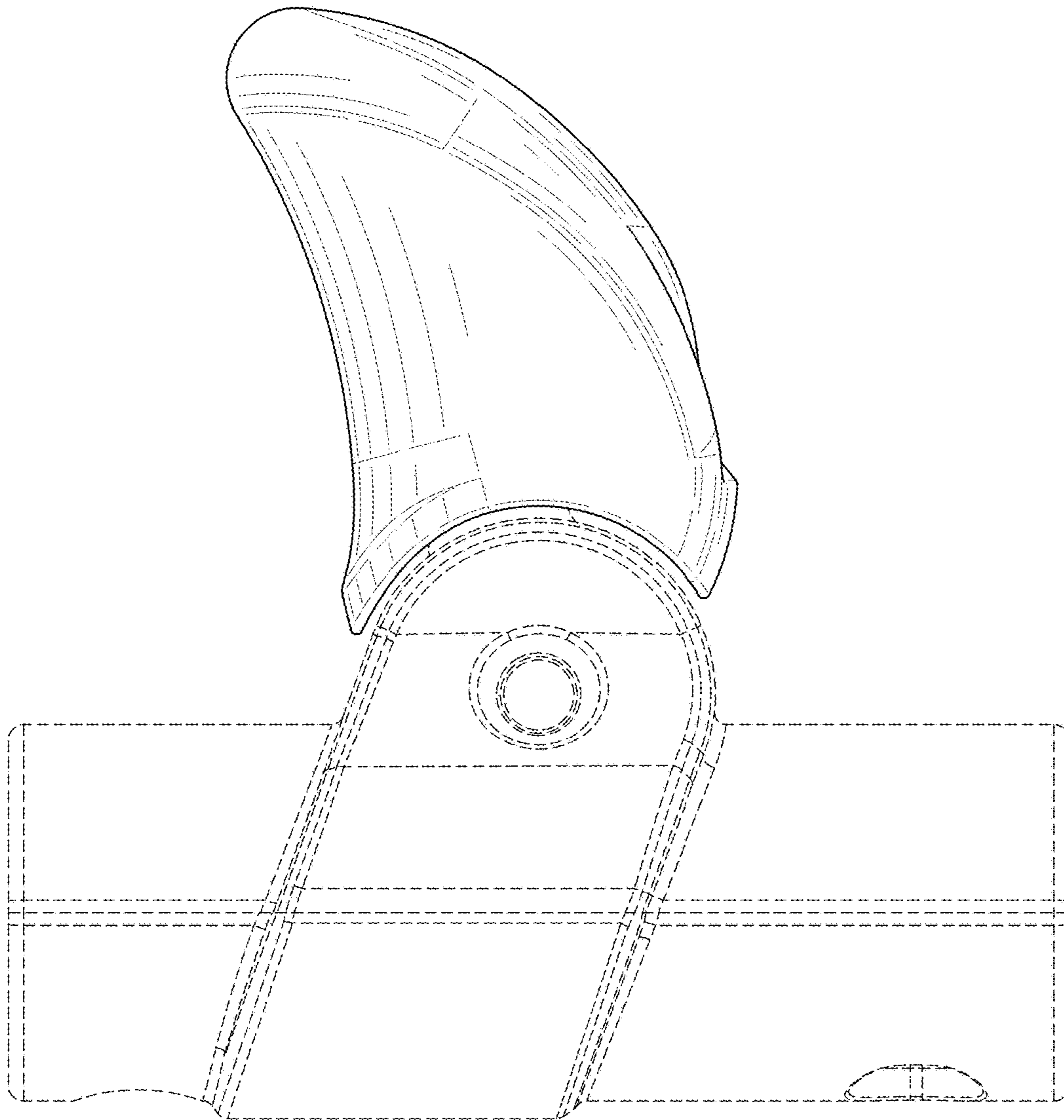


FIG 4

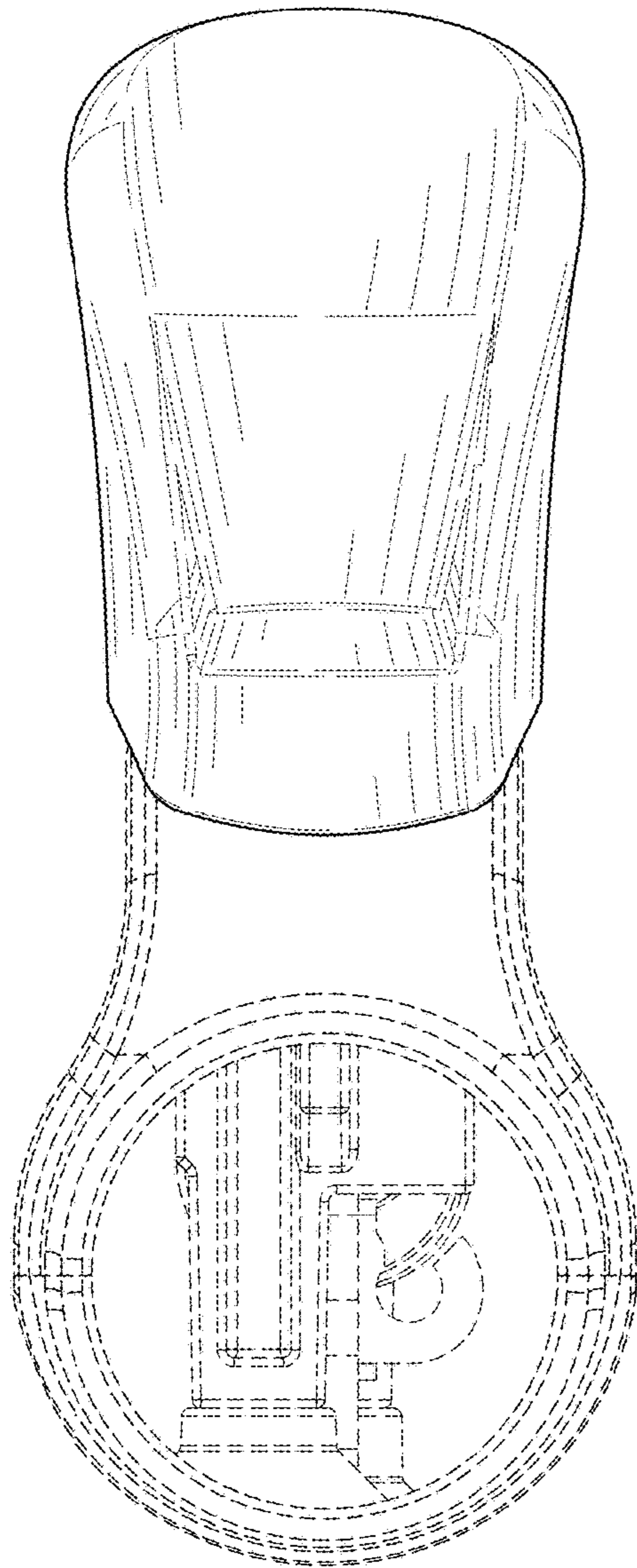


FIG 5

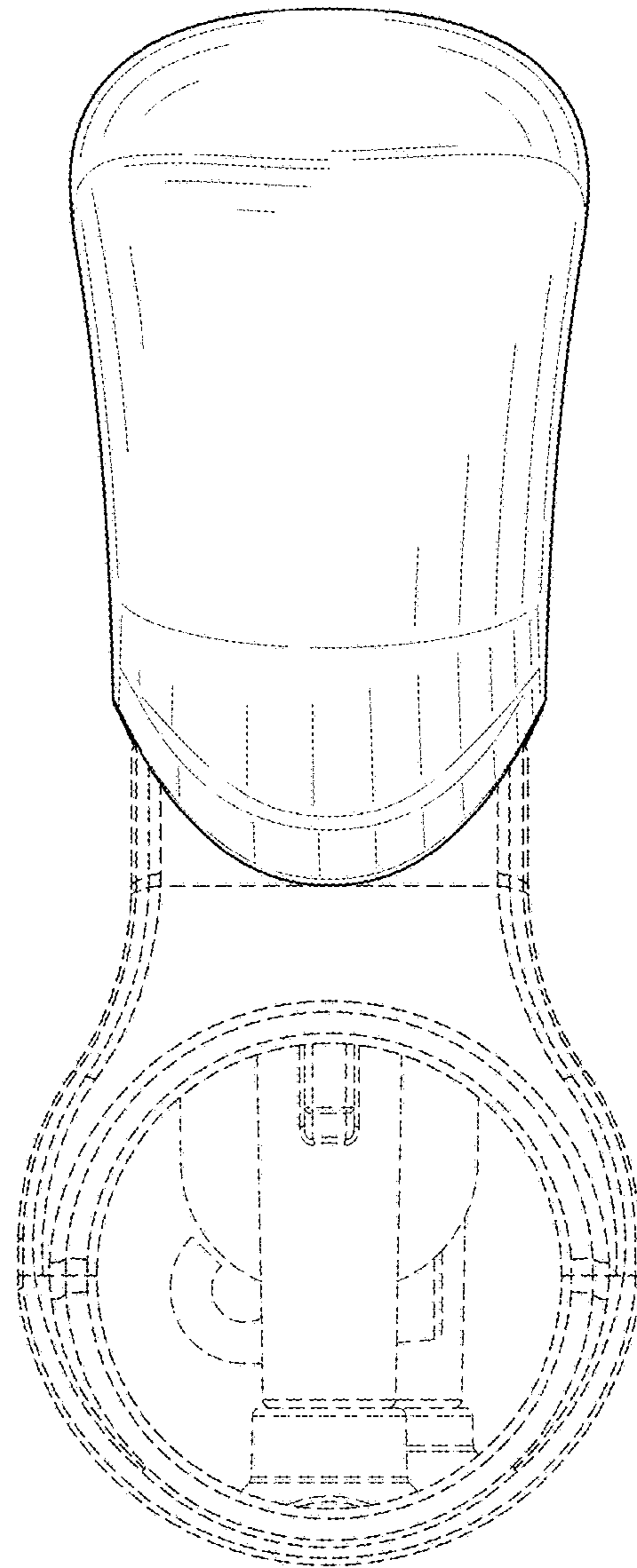


FIG 6

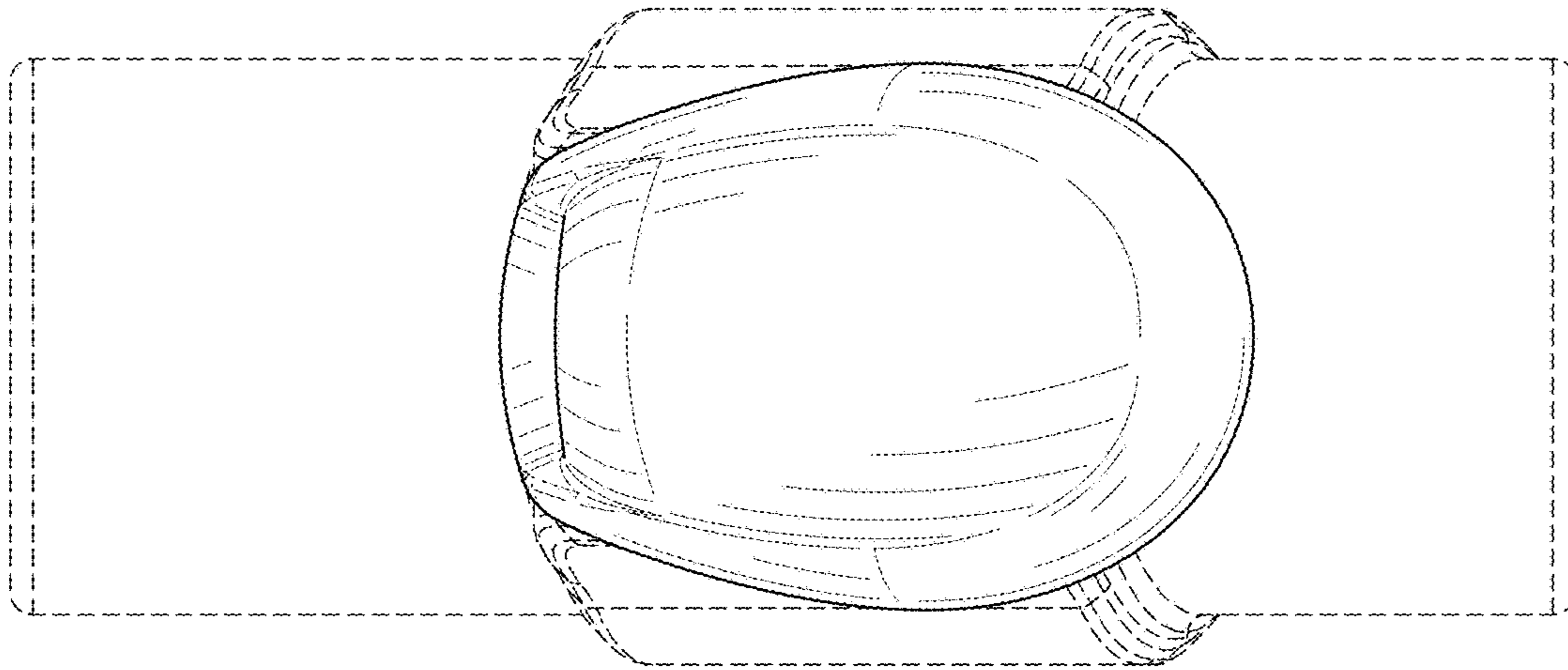


FIG 7

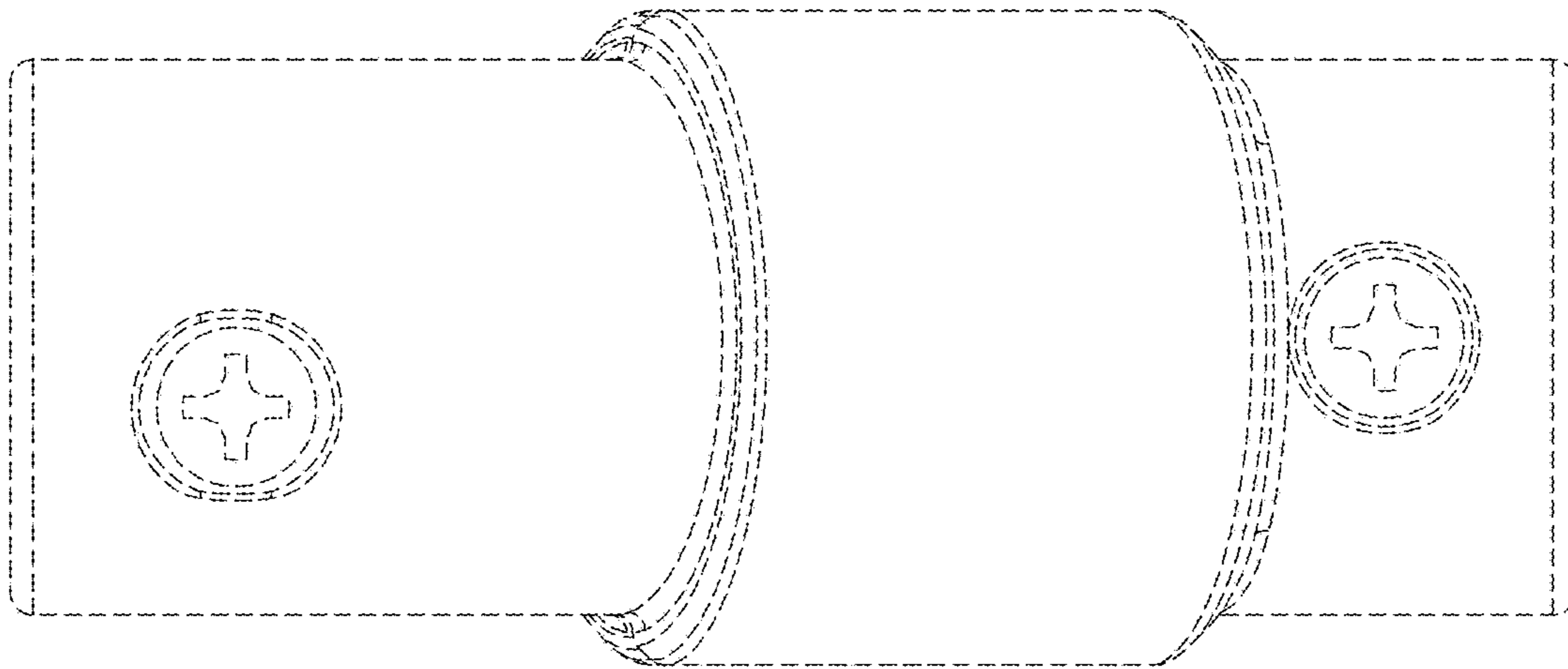


FIG 8



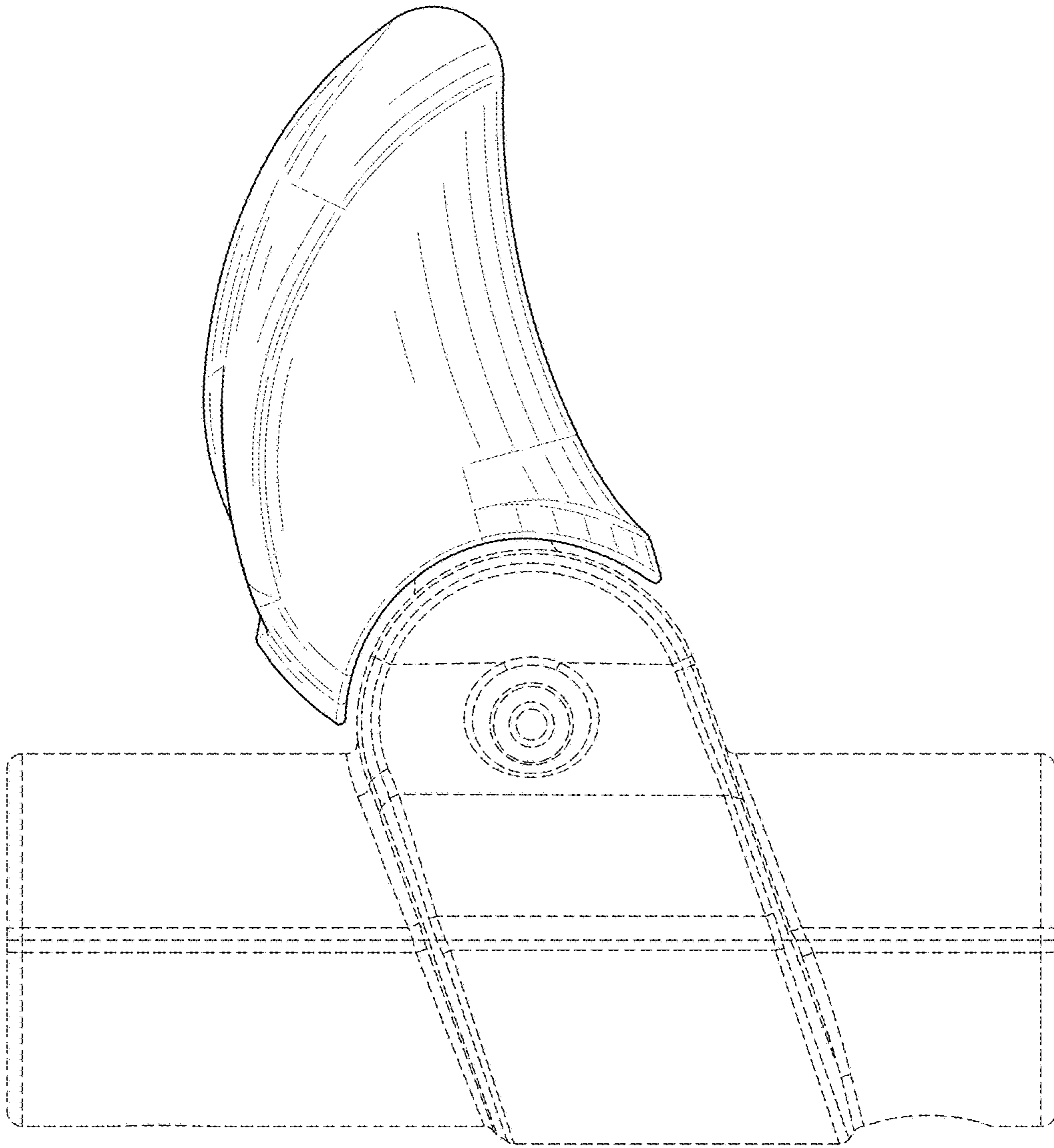


FIG 9