



US00D856112S

(12) **United States Design Patent**  
**Ferreira Sánchez**

(10) **Patent No.:** **US D856,112 S**

(45) **Date of Patent:** **\*\* Aug. 13, 2019**

(54) **DOOR KNOB**

(71) Applicant: **Salto Systems, S.L.**, Oiartzun (ES)

(72) Inventor: **Carlos Ferreira Sánchez**, Oiartzun (ES)

(73) Assignee: **Salto Systems, S.L.**, Oiartzun, Guipuzcoa (ES)

(\*\*) Term: **15 Years**

(21) Appl. No.: **29/613,988**

(22) Filed: **Aug. 15, 2017**

(30) **Foreign Application Priority Data**

Jul. 14, 2017 (EM) ..... 004104354-0001

(51) **LOC (12) Cl.** ..... **08-06**

(52) **U.S. Cl.**  
USPC ..... **D8/302; D8/307**

(58) **Field of Classification Search**

USPC ..... D8/107, 300, 301, 307, 310, 311, 312;  
D23/250, 421

CPC ... Y10T 292/57; Y10T 292/82; Y10T 16/469;  
Y10T 16/44; Y10T 16/476; Y10T 74/2084;  
Y10T 292/85; Y10T 74/2087; Y10T 16/4713;  
Y10T 16/506; Y10T 74/20876; Y10T 74/20612; Y10T 70/5765;  
Y10T 16/459; Y10T 74/2066; Y10T 16/487; Y10T 74/20822

See application file for complete search history.

(56) **References Cited**

**U.S. PATENT DOCUMENTS**

2,688,297 A \* 9/1954 Livermont ..... B21D 26/033  
16/414  
D225,393 S \* 12/1972 Giandomencio ..... D8/310

D291,824 S \* 9/1987 Lathrop ..... D23/254  
D297,662 S \* 9/1988 Jans ..... D23/254  
D318,217 S \* 7/1991 Weinerman ..... D8/302  
D326,899 S \* 6/1992 Haug ..... D23/250  
D327,834 S \* 7/1992 Reid ..... D23/250  
D337,373 S \* 7/1993 Gottwald ..... D23/250  
D360,345 S \* 7/1995 Swan ..... D8/308  
D418,390 S \* 1/2000 Marquis ..... D8/312  
D610,238 S \* 2/2010 Urquiola ..... D23/250  
8,756,963 B2 \* 6/2014 Le ..... E05C 1/14  
292/169  
9,577,487 B2 \* 2/2017 Lien ..... H02K 5/10

\* cited by examiner

*Primary Examiner* — Lauren R Calve

(74) *Attorney, Agent, or Firm* — The Webb Law Firm

(57) **CLAIM**

The ornamental design for a door knob, as shown and described.

**DESCRIPTION**

FIG. 1 is a right perspective view of a door knob showing my new design;

FIG. 2 is a front elevation view thereof;

FIG. 3 is a rear elevation view thereof;

FIG. 4 is a top plan view thereof;

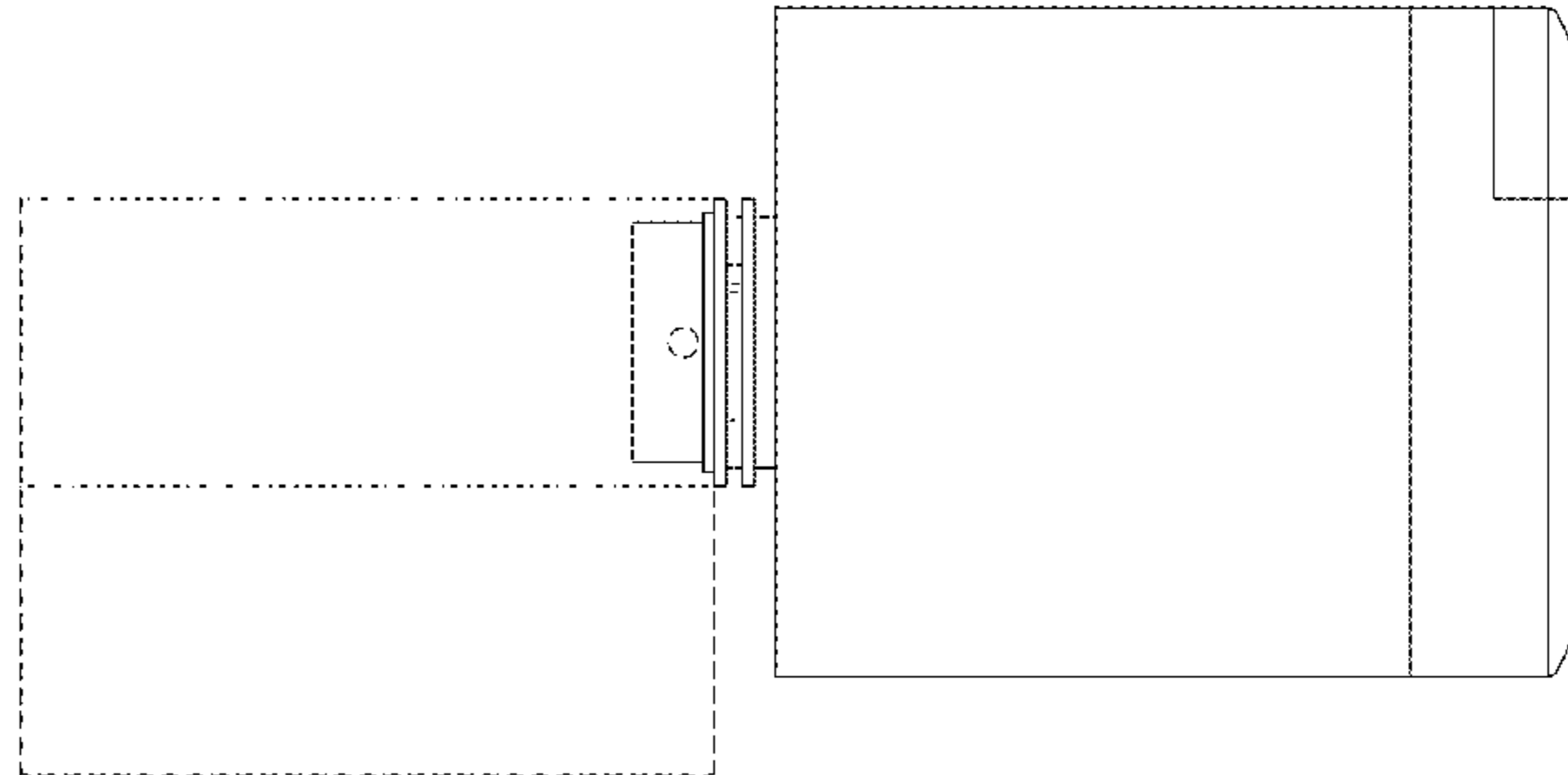
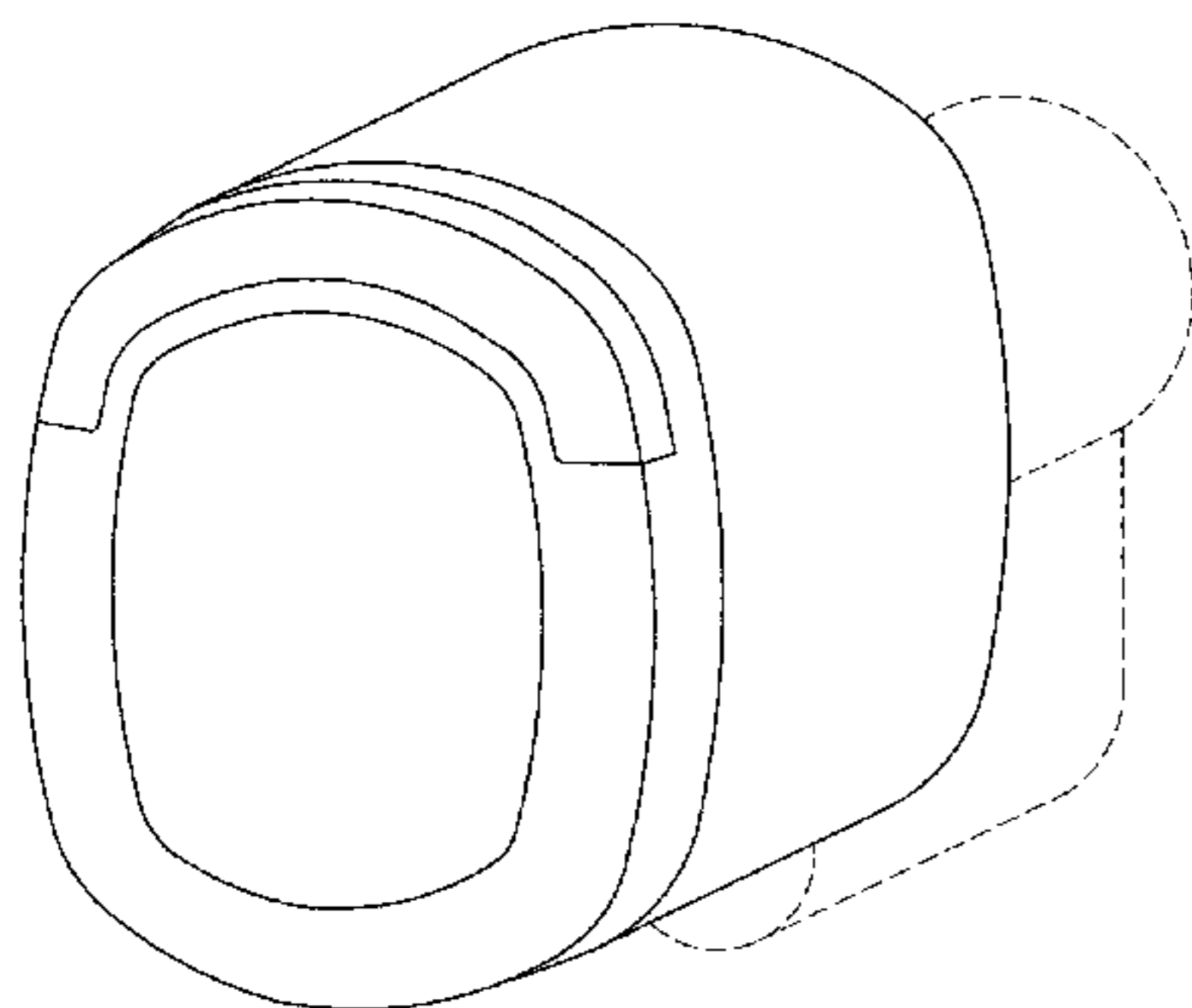
FIG. 5 is a bottom plan view thereof;

FIG. 6 is a left elevation view thereof; and,

FIG. 7 is right elevation view thereof.

The dashed lines in FIGS. 1-7 show rear portions of the door knob and a cylinder lock which are included for environmental purposes only and form no part of the claimed design.

**1 Claim, 6 Drawing Sheets**



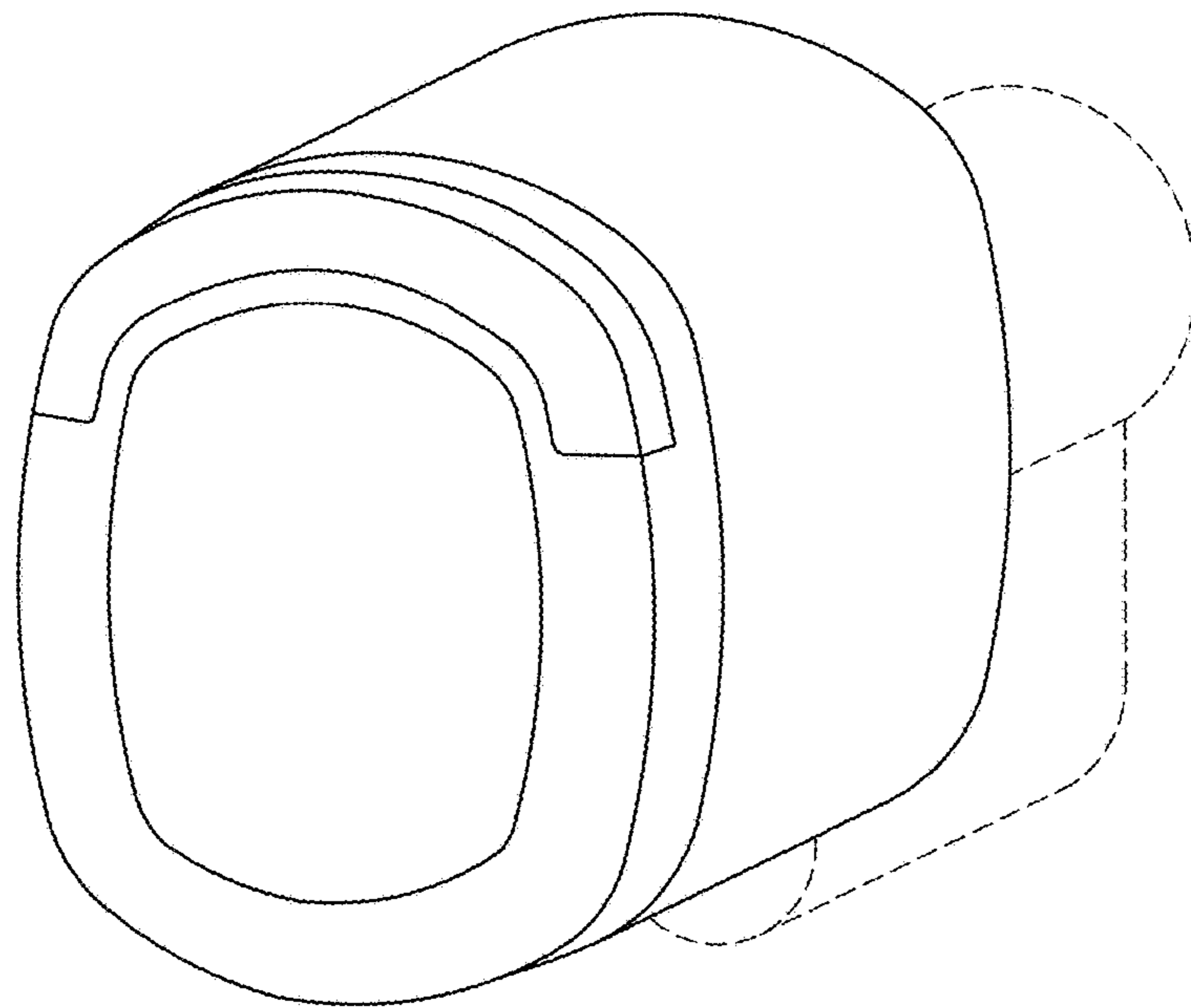


FIG. 1

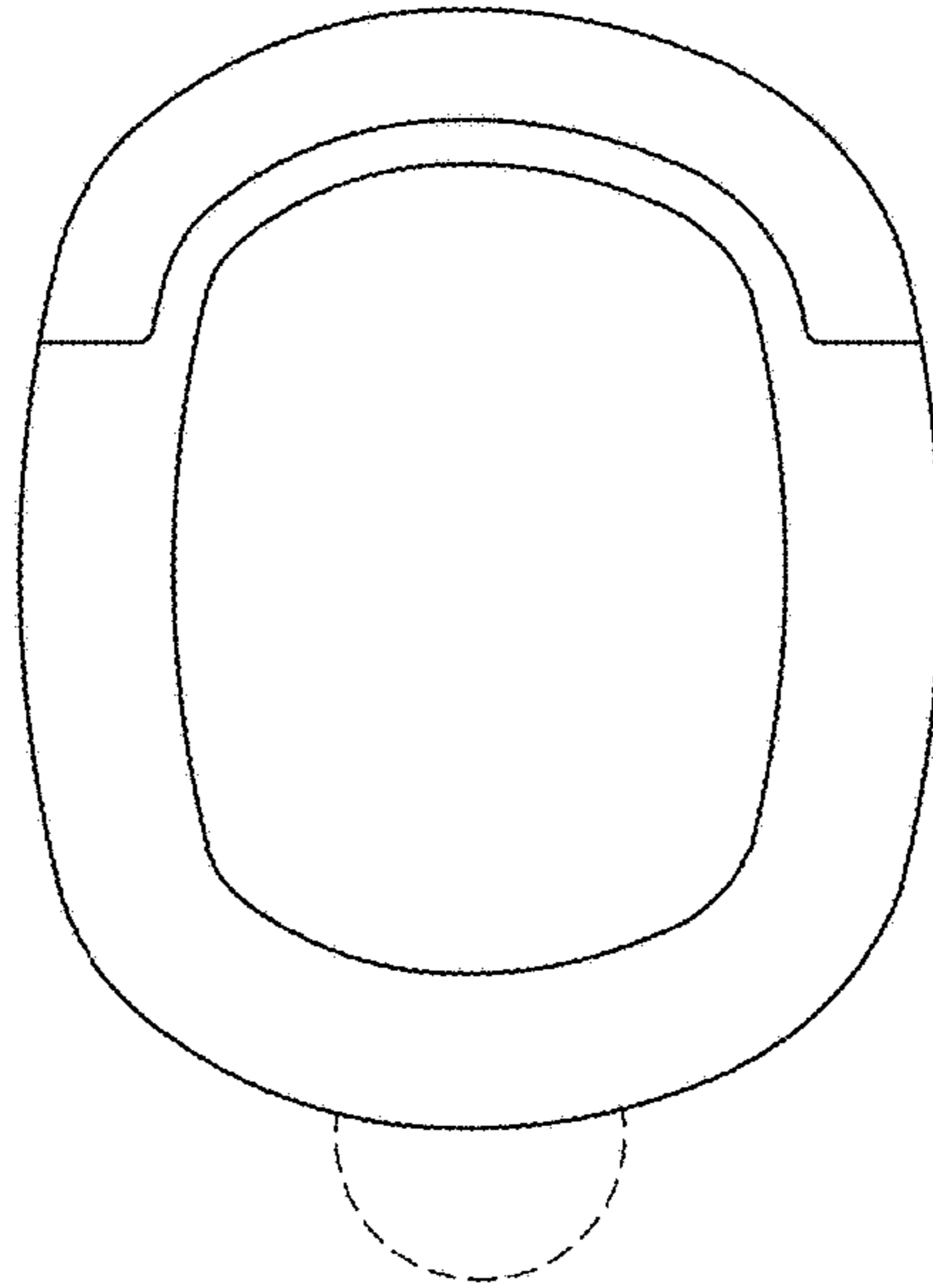


FIG.2

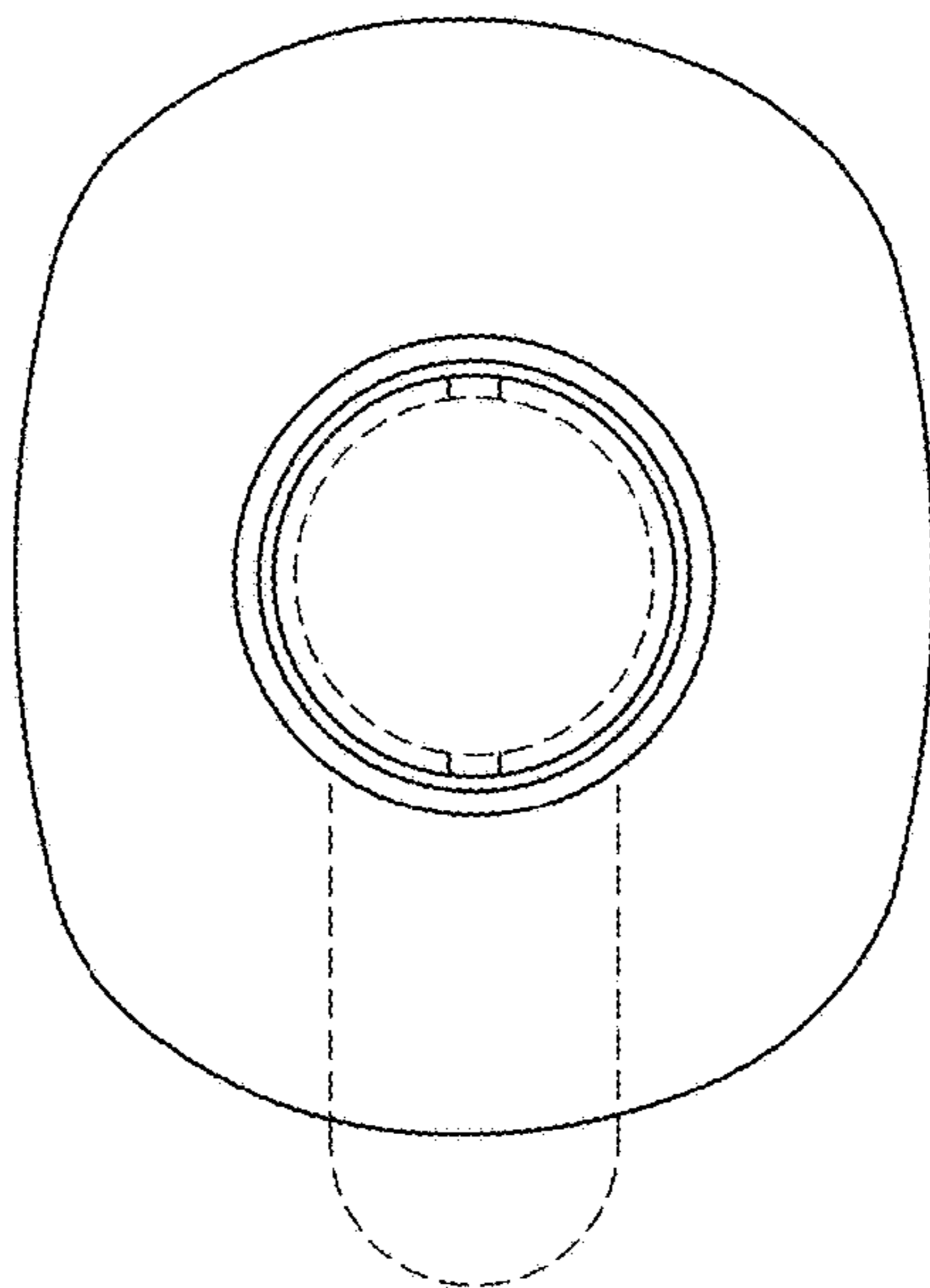


FIG.3

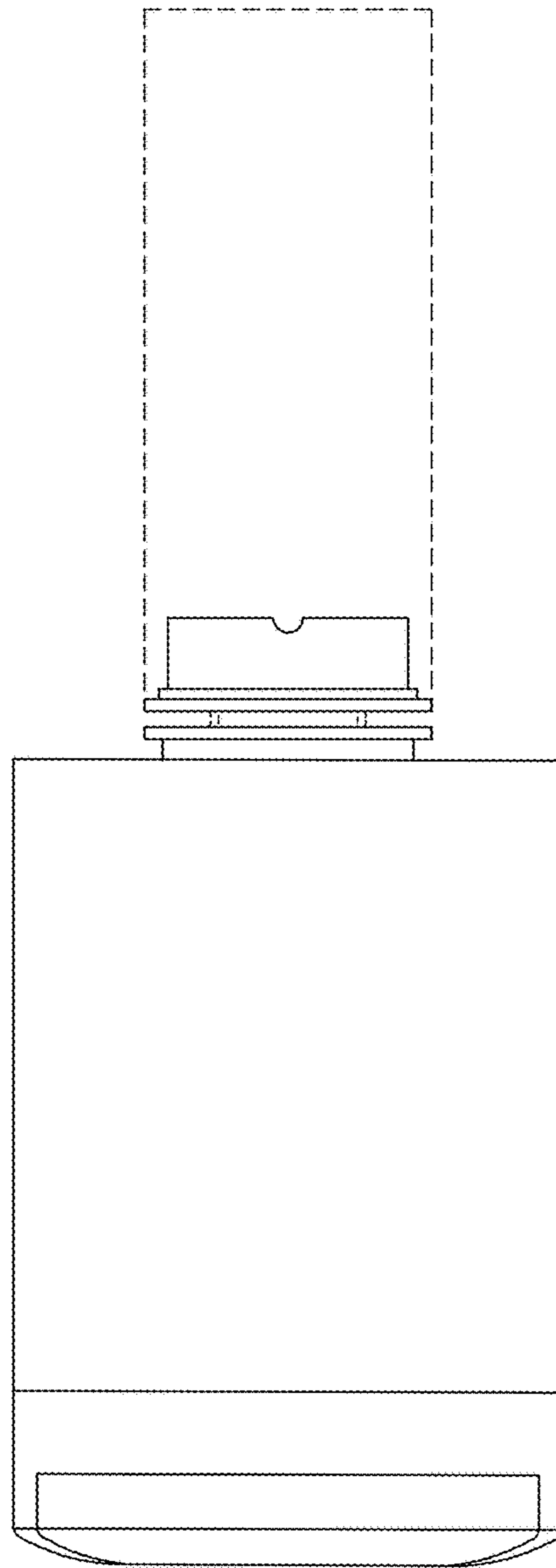


FIG.4

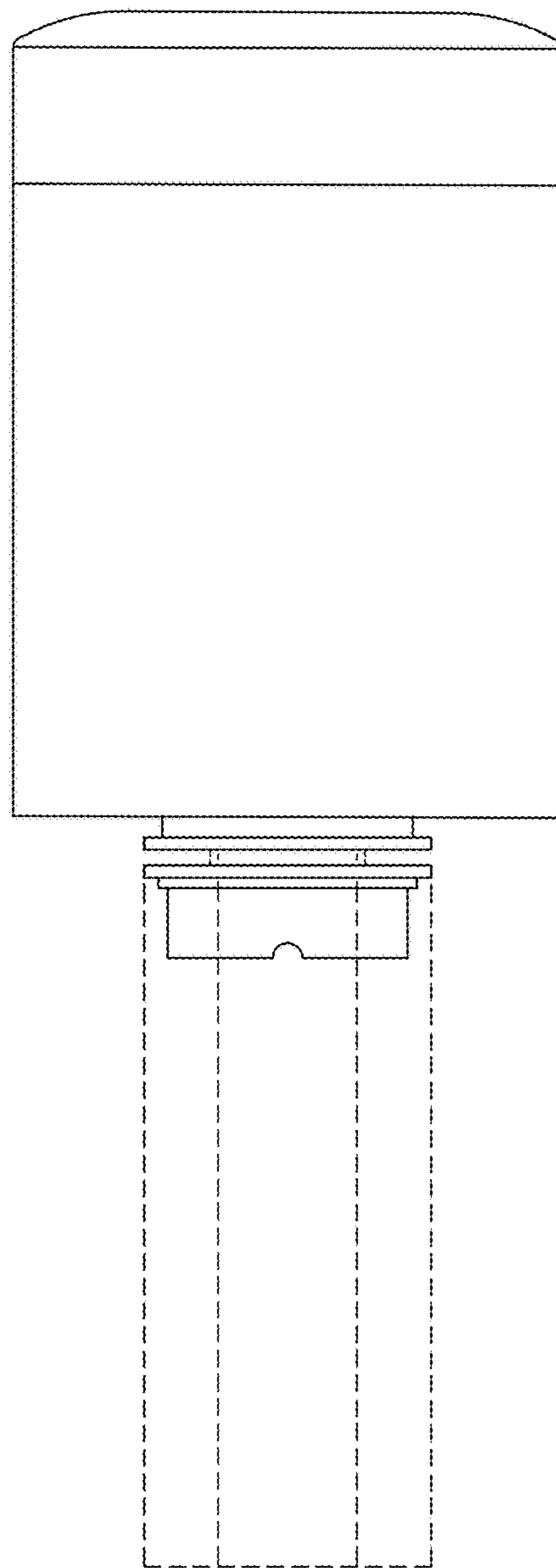


FIG.5

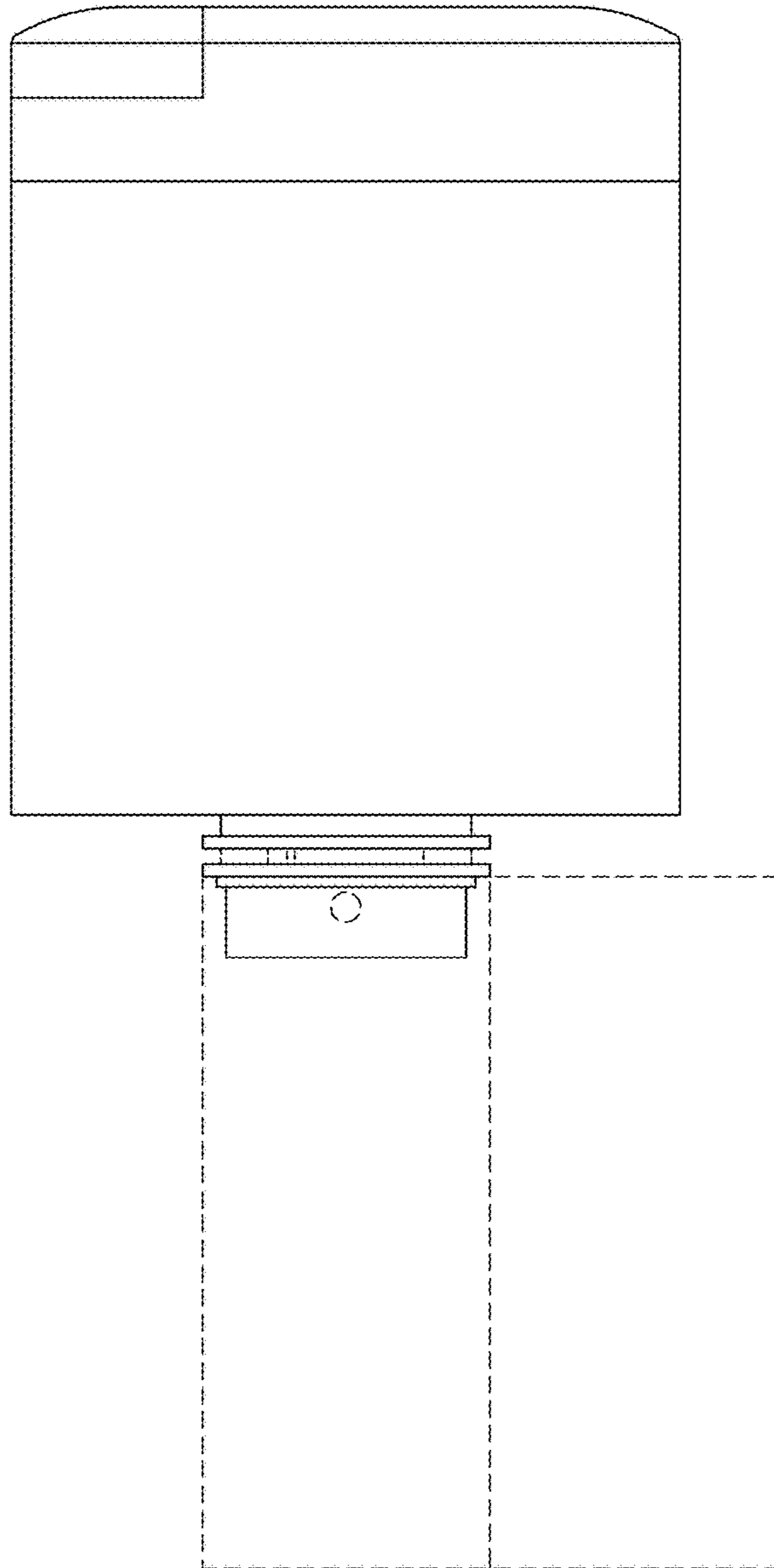


FIG.6

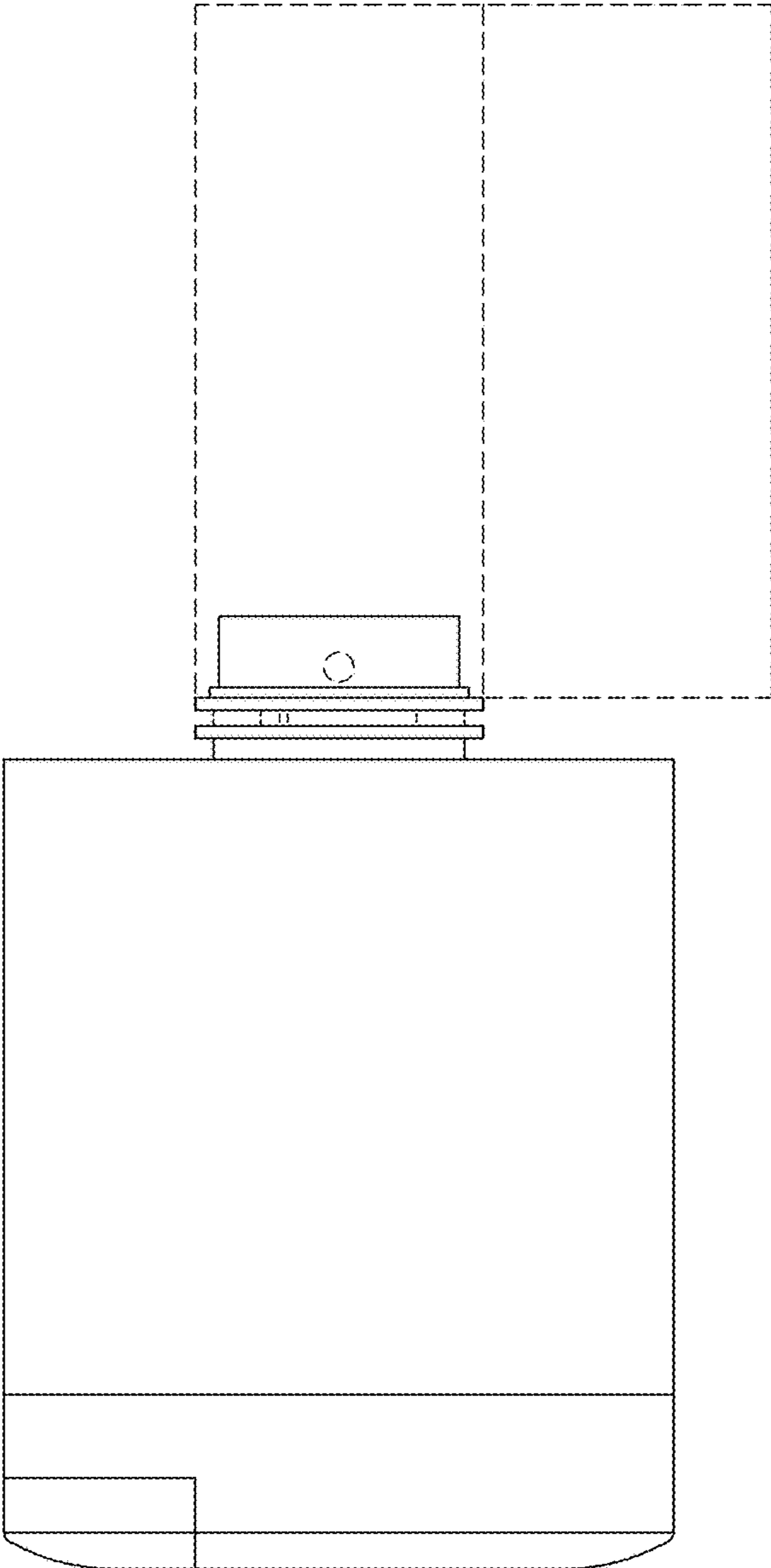


FIG.7