



US00D856110S

(12) **United States Design Patent**
Bloch

(10) **Patent No.:** **US D856,110 S**

(45) **Date of Patent:** **** Aug. 13, 2019**

(54) **FOLDING UTILITY KNIFE**
(71) Applicant: **Outdoor Edge Cutlery Corporation,**
Denver, CO (US)

(72) Inventor: **David R. Bloch,** Morrison, CO (US)

(73) Assignee: **OUTDOOR EDGE CUTLERY**
CORPORATION, Denver, CO (US)

(**) Term: **15 Years**

(21) Appl. No.: **29/634,367**

(22) Filed: **Jan. 21, 2018**

(51) **LOC (12) Cl.** **08-03**

(52) **U.S. Cl.**
USPC **D8/99**

(58) **Field of Classification Search**
USPC D8/98, 99, 100, 105, 107; D22/118
CPC B26B 5/001; B26B 5/003; B26B 11/00;
B26B 1/08; B26B 1/02; B26B 1/10;
B26B 1/04; B26B 1/046; B26B 1/048;
B26B 1/042

See application file for complete search history.

(56) **References Cited**

U.S. PATENT DOCUMENTS

6,688,003	B2 *	2/2004	Scarla	B26B 1/02	30/156
D494,437	S *	8/2004	Scarla	D8/99	
7,007,392	B2	3/2006	Ping		
D519,817	S *	5/2006	Wong	D8/99	
7,040,022	B2	5/2006	Ping		
D526,878	S *	8/2006	Ping	D8/99	
D546,158	S *	7/2007	Ping	D8/99	
D552,955	S *	10/2007	Ping	D8/99	
D568,137	S *	5/2008	Hernandez, Jr.	D8/99	
7,380,341	B2 *	6/2008	Ping	B26B 1/042	30/155
D578,858	S *	10/2008	Ping	D8/99	

D584,125	S *	1/2009	Ping	D8/99	
D591,135	S *	4/2009	Wu	D8/99	
D596,914	S *	7/2009	Huang	D8/99	
7,814,664	B2 *	10/2010	LeBlanc	B26B 5/00	30/156

(Continued)

Primary Examiner — Philip S Hyder

(74) *Attorney, Agent, or Firm* — Lewis Brisbois Bisgaard & Smith LLP

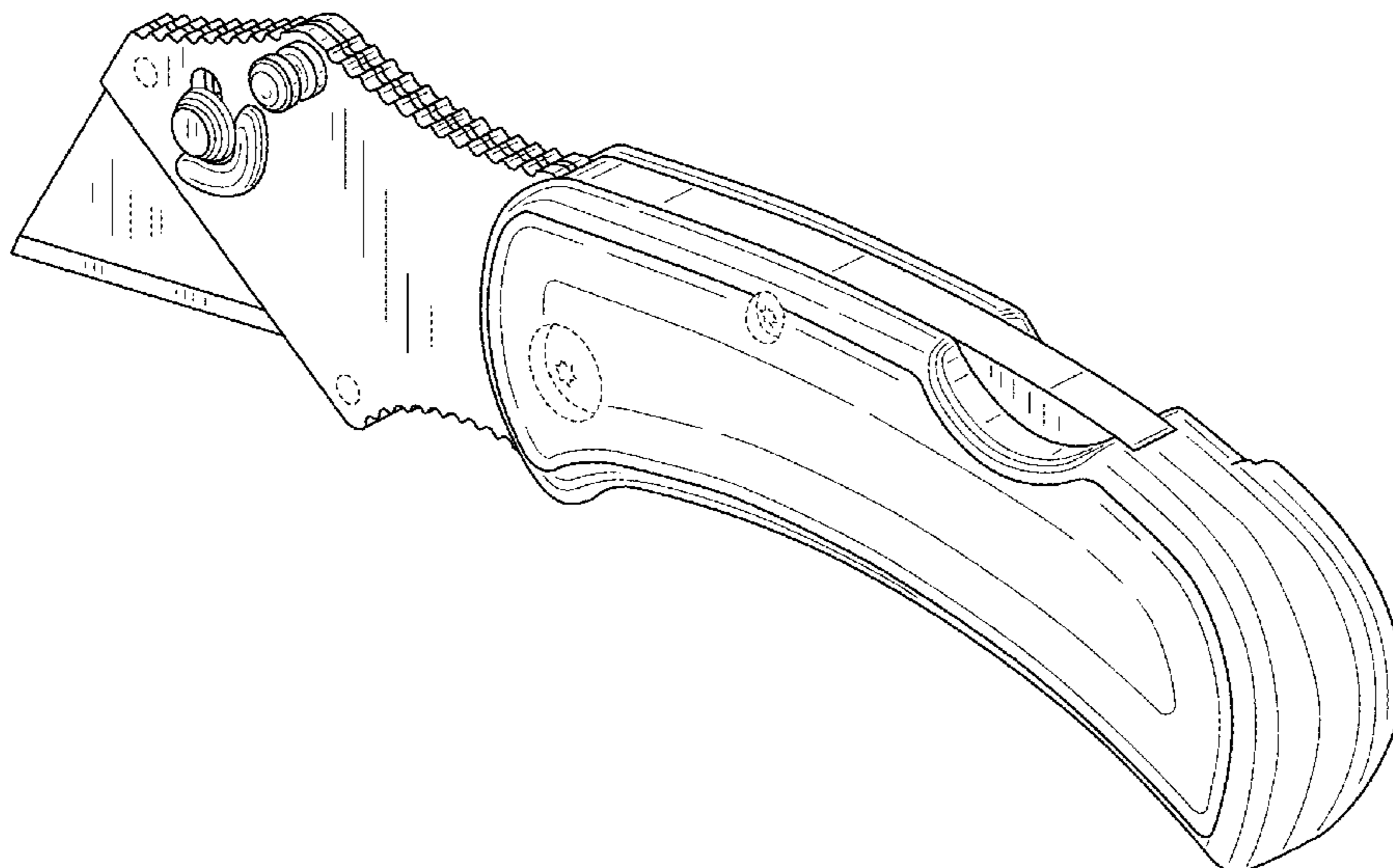
(57) **CLAIM**

The ornamental design for a folding utility knife, as shown and described.

DESCRIPTION

FIG. 1 is a front perspective view of the folding utility knife the new design;
 FIG. 2 is a front elevation view thereof;
 FIG. 3 is a rear elevation view thereof;
 FIG. 4 is a right elevation view thereof;
 FIG. 5 is a left elevation view thereof;
 FIG. 6 is a top plan view thereof;
 FIG. 7 is a bottom plan view thereof;
 FIG. 8 is a front perspective view of the folding utility knife in a folded configuration;
 FIG. 9 is a front perspective view thereof;
 FIG. 10 is a front elevation view thereof;
 FIG. 11 is a right elevation view thereof;
 FIG. 12 is a left elevation view thereof;
 FIG. 13 is a top plan view thereof;
 FIG. 14 is a bottom plan view thereof;
 FIG. 15 is a front perspective view of another embodiment of the folding utility knife;
 FIG. 16 is a front elevation view thereof;
 FIG. 17 is a rear elevation view thereof;
 FIG. 18 is a right elevation view thereof;
 FIG. 19 is a left elevation view thereof;
 FIG. 20 is a top plan view thereof; and,
 FIG. 21 is a bottom plan view thereof.

1 Claim, 14 Drawing Sheets



(56)

References Cited

U.S. PATENT DOCUMENTS

8,006,389 B2 * 8/2011 Jennings B26B 5/003
30/155
D645,719 S * 9/2011 Wu D8/99
8,938,883 B2 * 1/2015 Gringer B26B 1/048
30/155
D769,692 S * 10/2016 Squiers D8/99
D793,836 S * 8/2017 Kommer D8/99
D829,525 S * 10/2018 Wong D8/99
2010/0299935 A1 12/2010 Ping

* cited by examiner

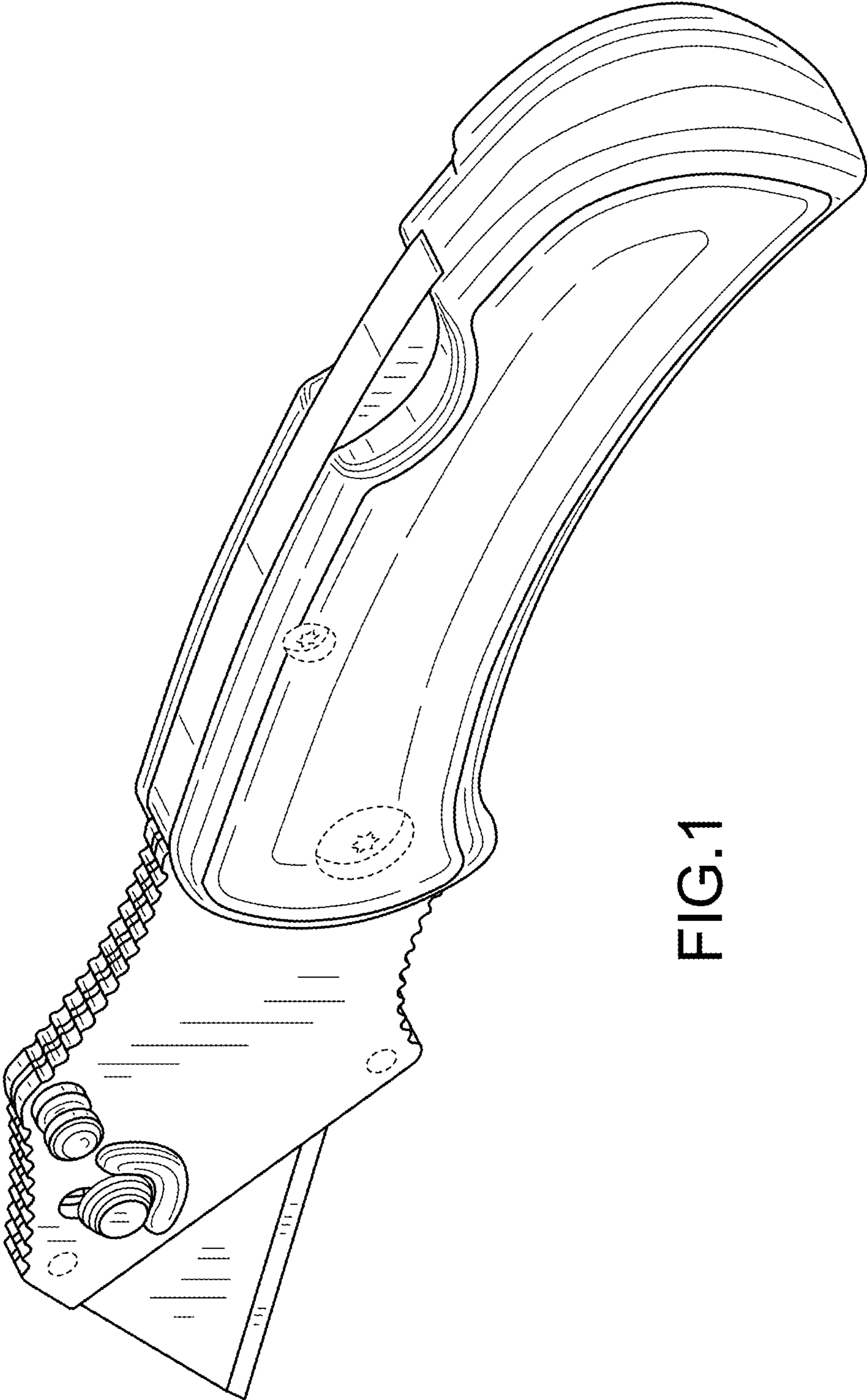


FIG.1

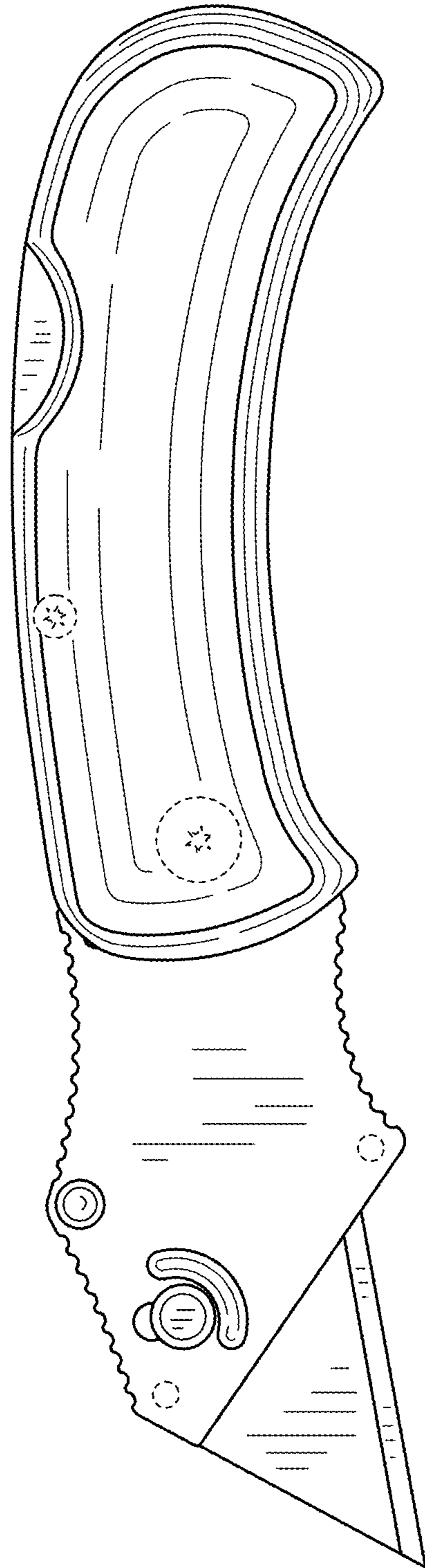


FIG.2

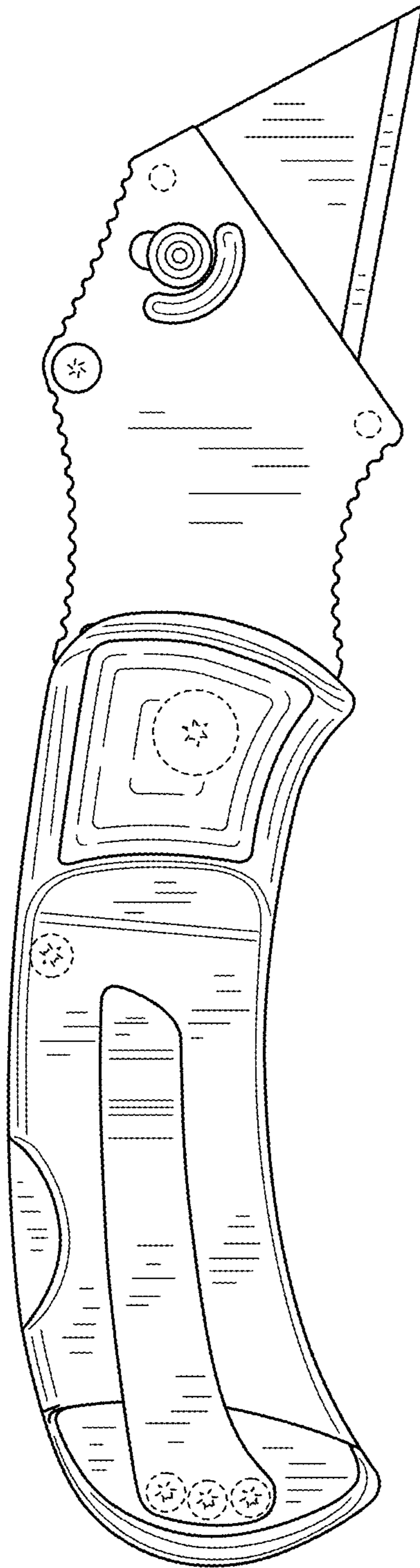


FIG.3

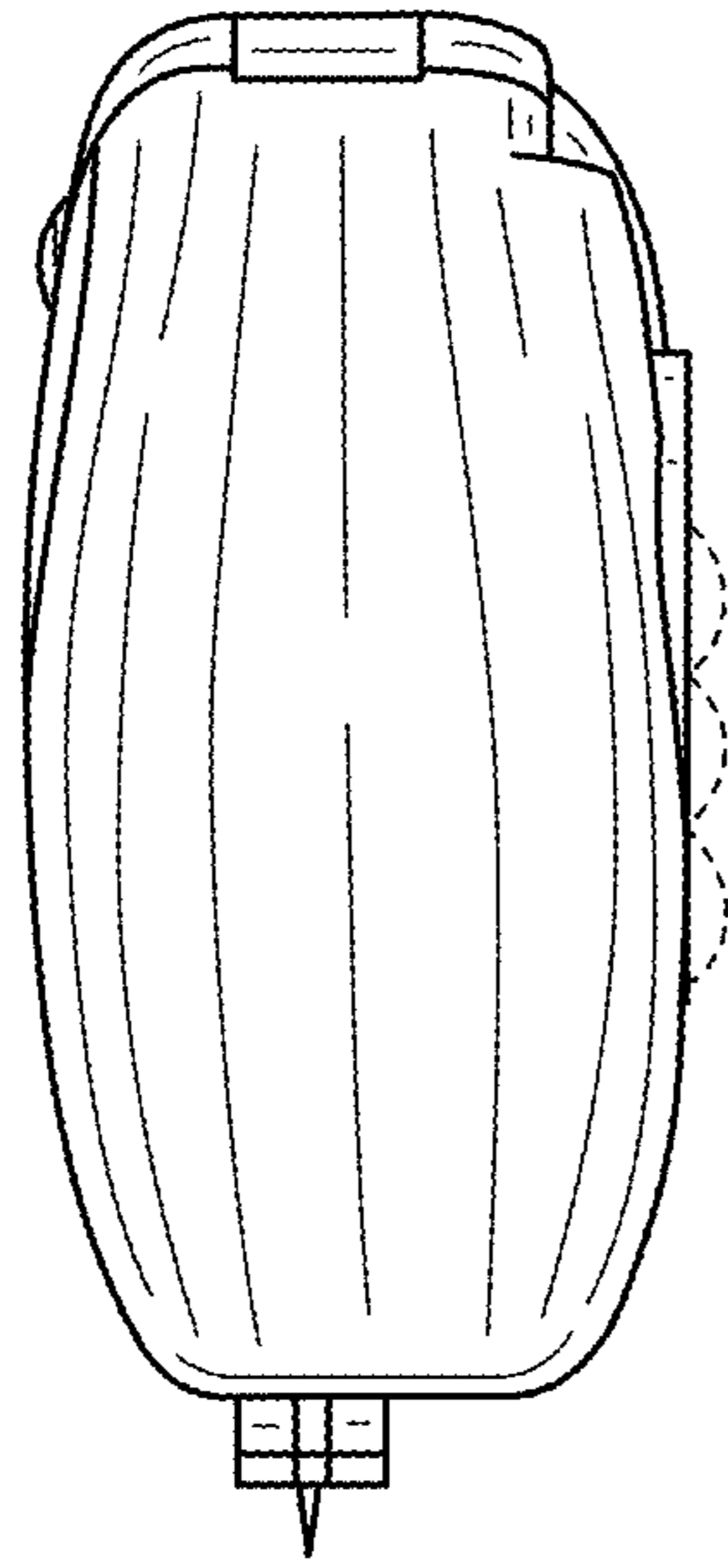


FIG. 4

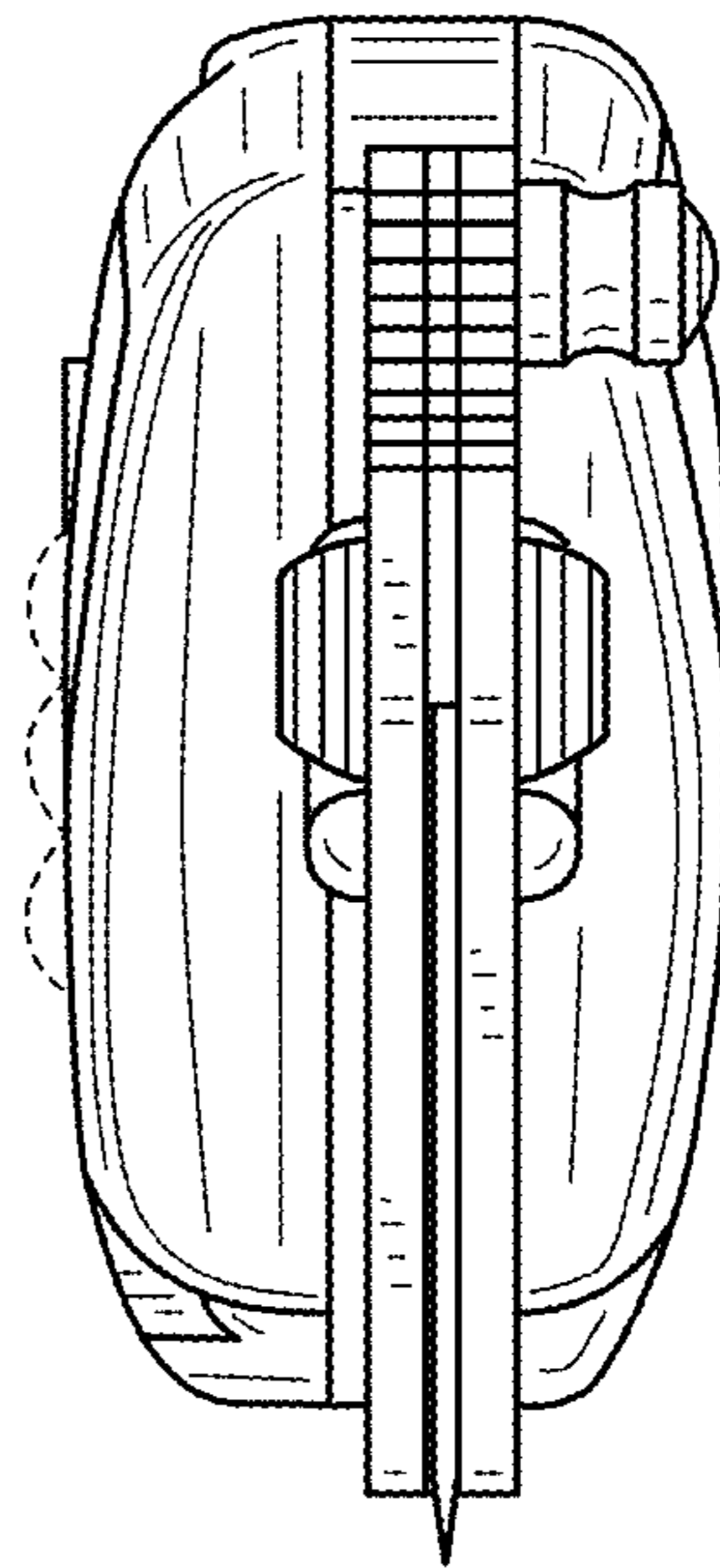


FIG. 5

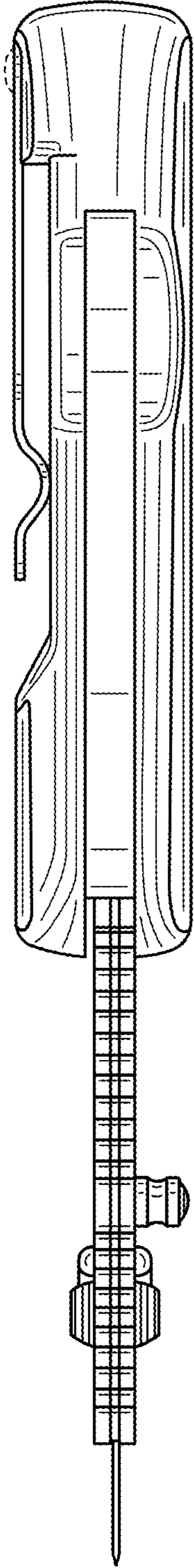


FIG. 6

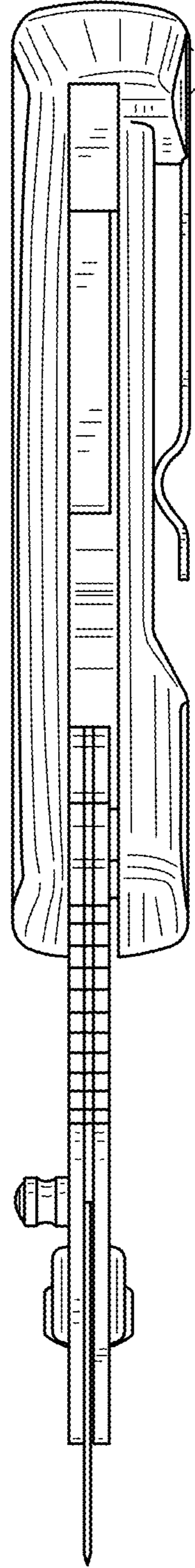


FIG. 7

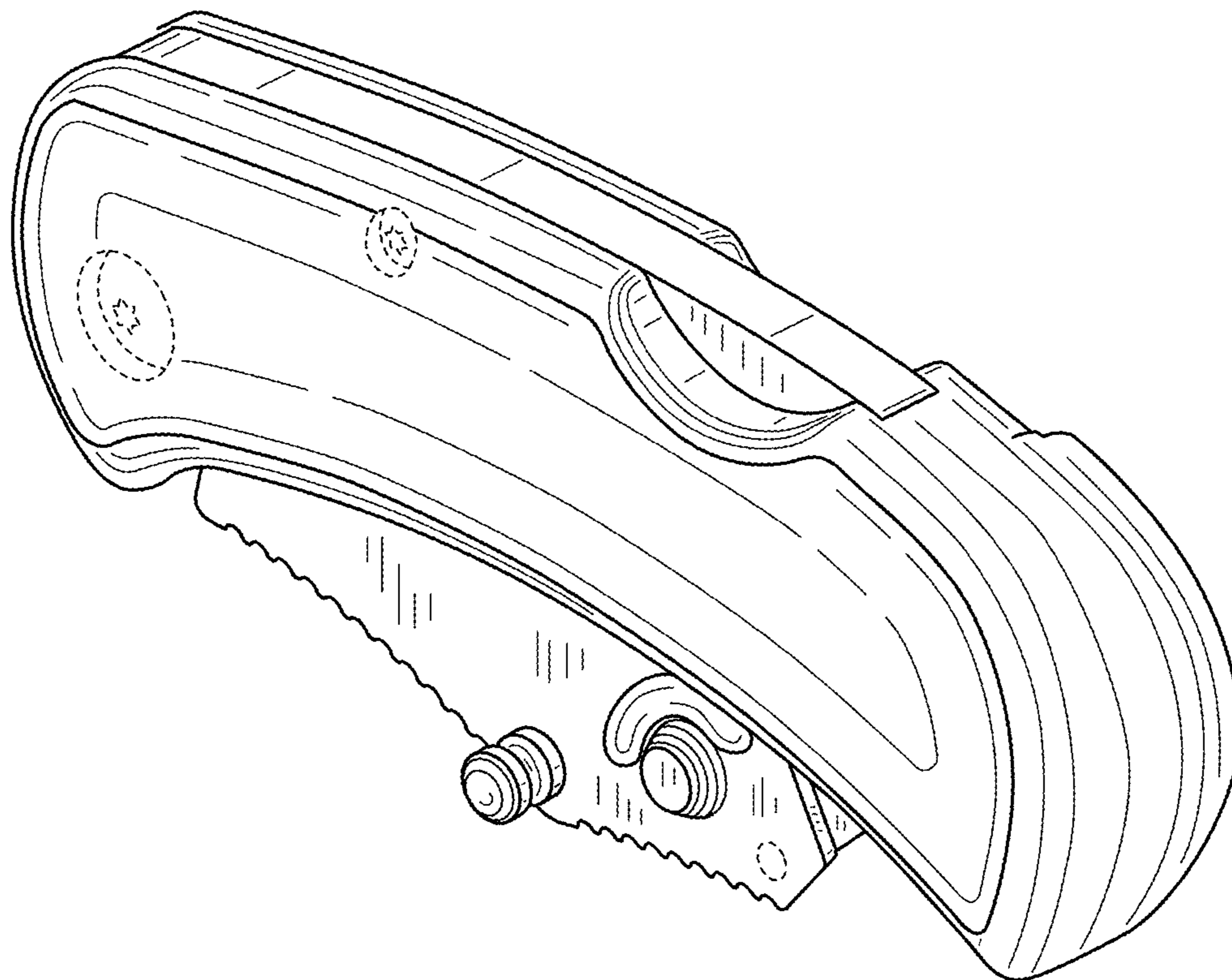


FIG.8

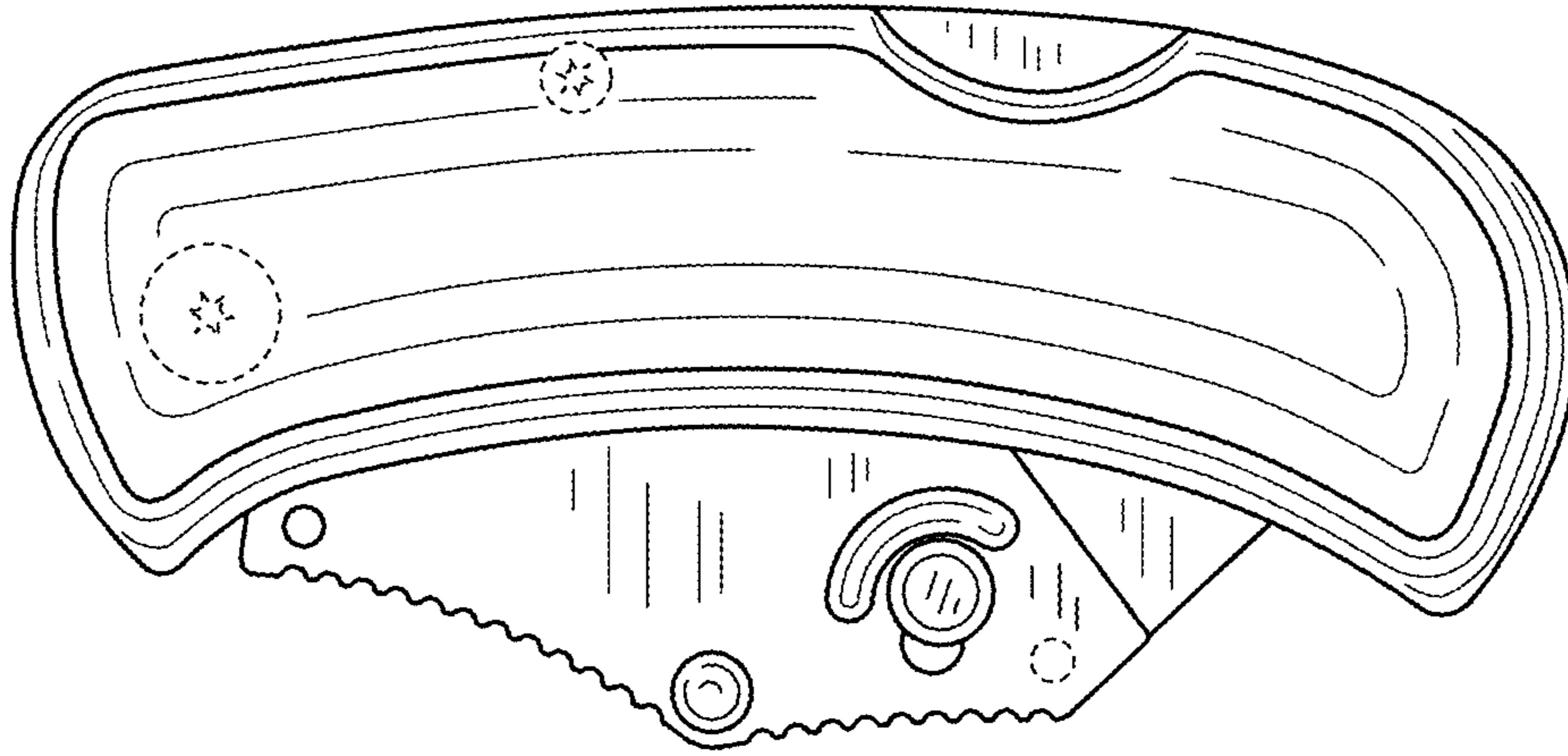


FIG. 9

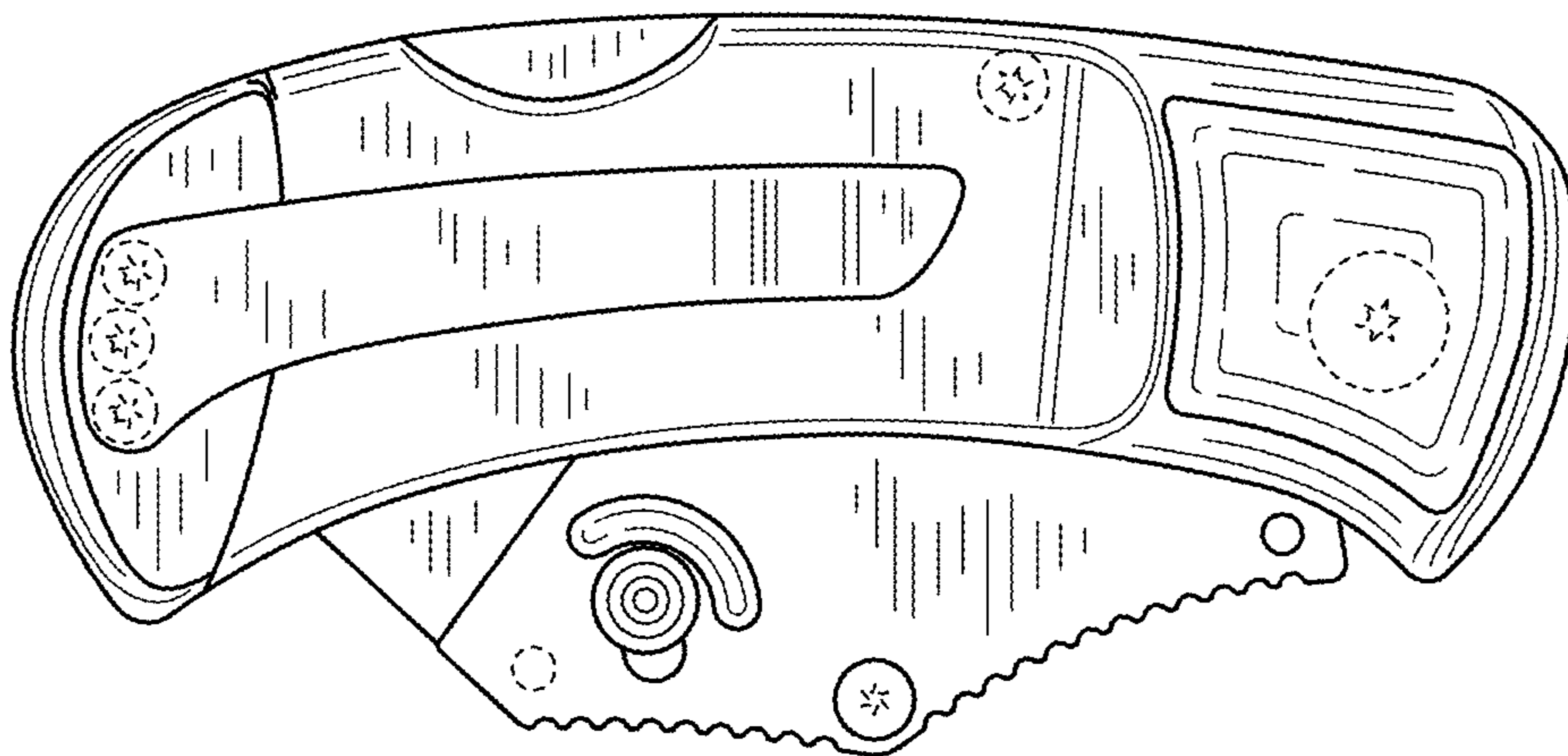


FIG. 10

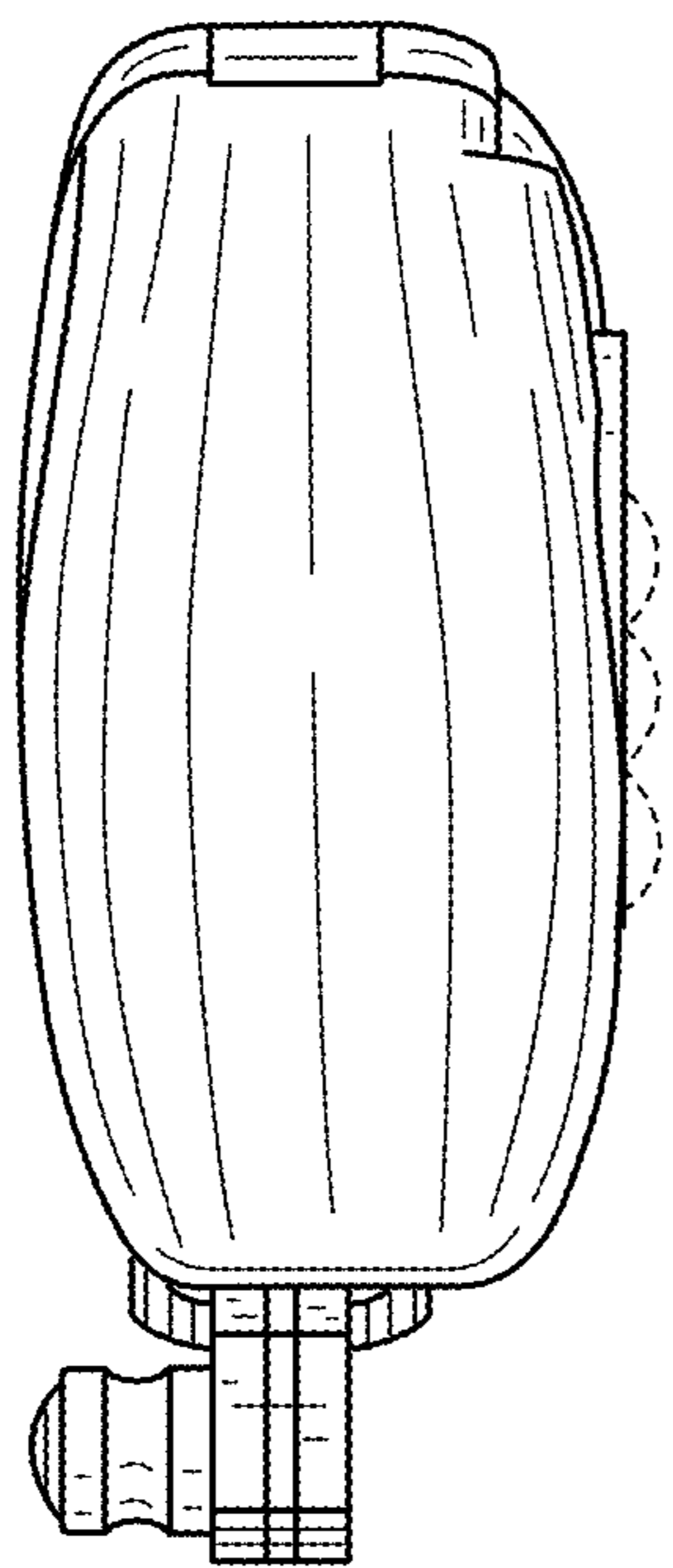


FIG. 11

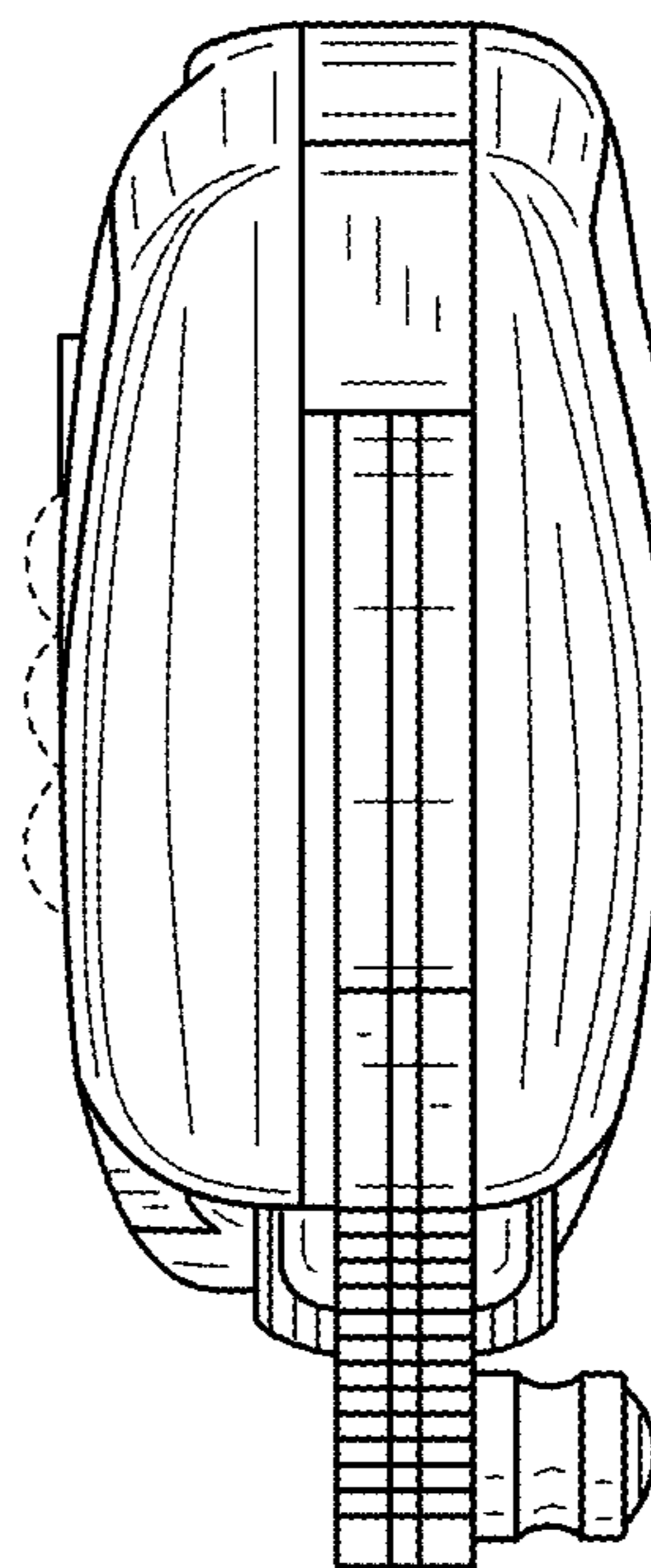


FIG. 12

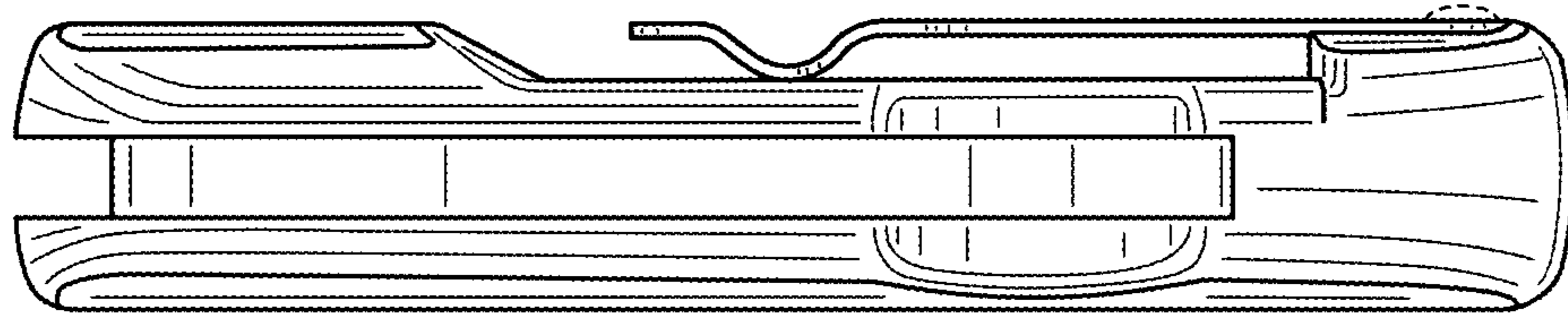


FIG.13

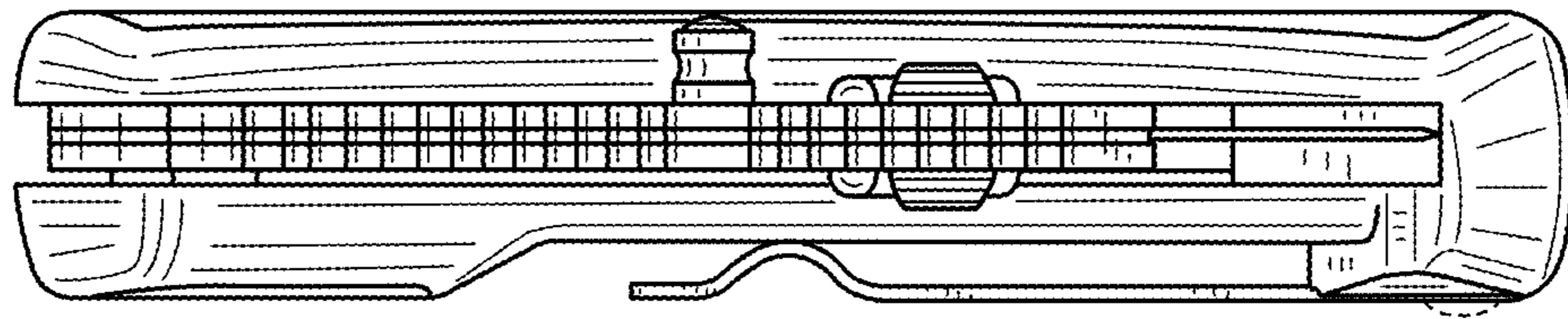


FIG.14

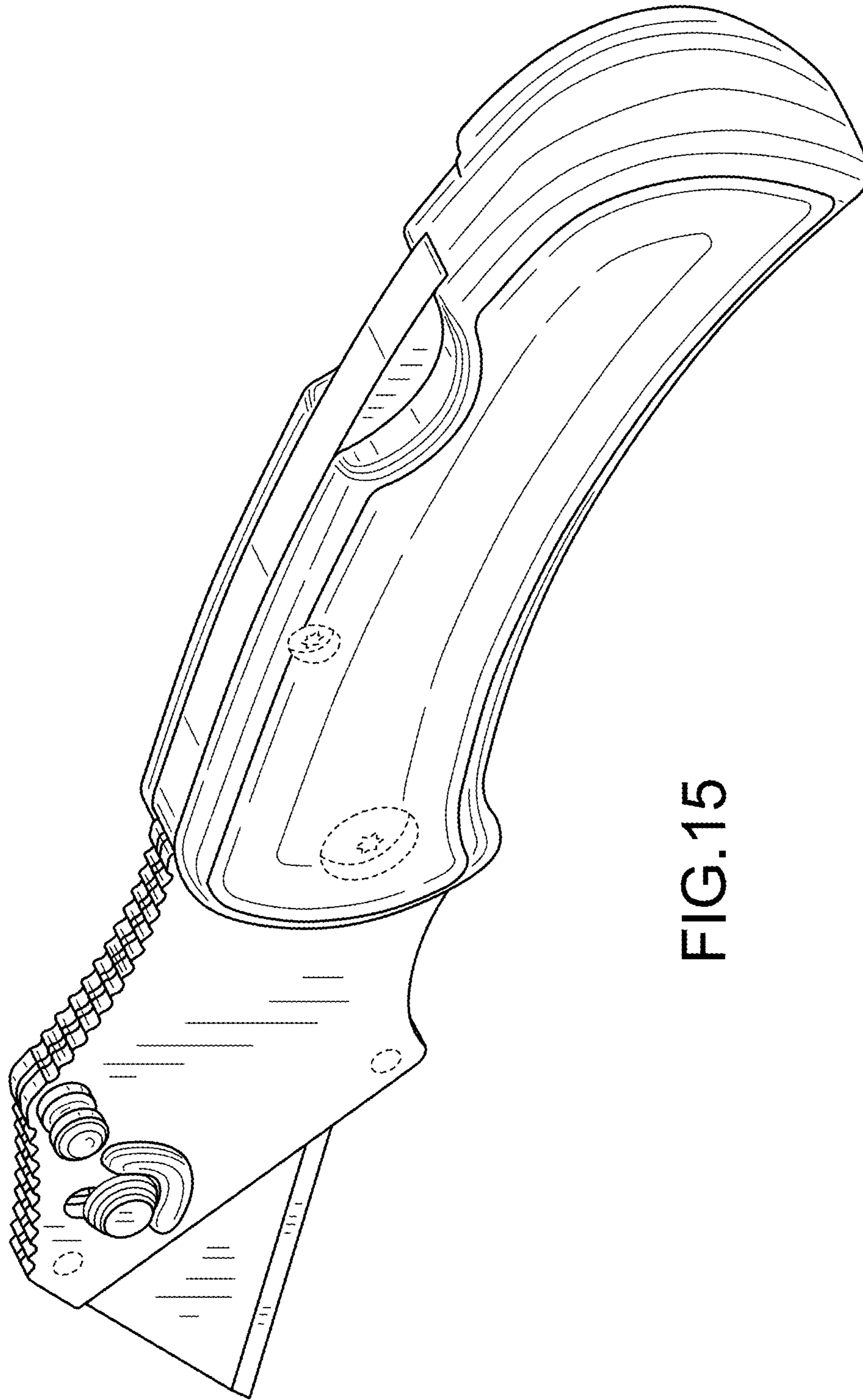


FIG.15

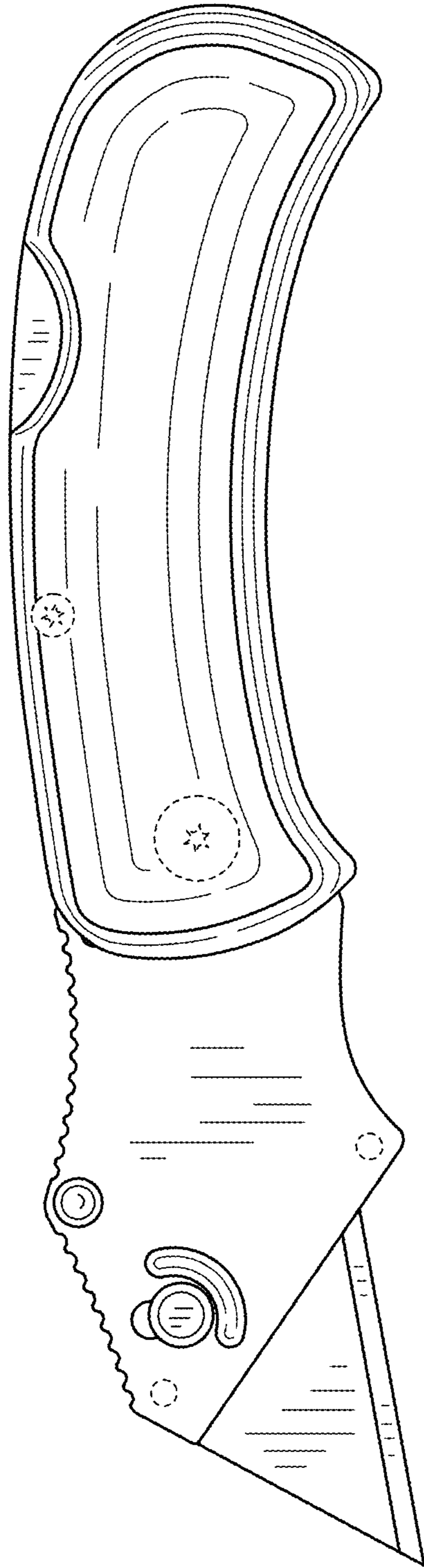


FIG.16

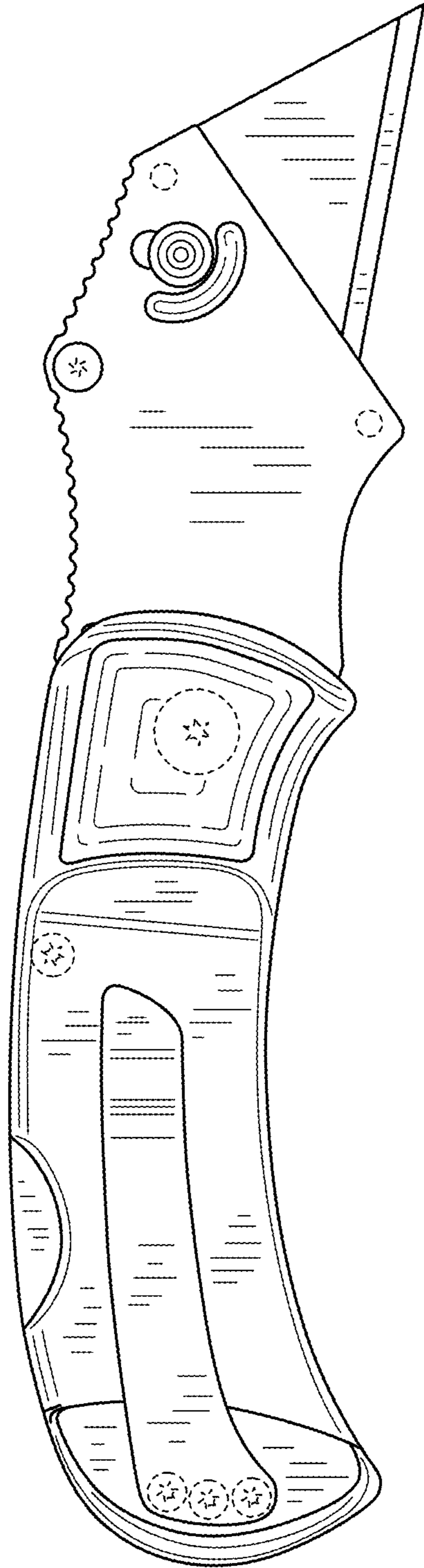


FIG.17

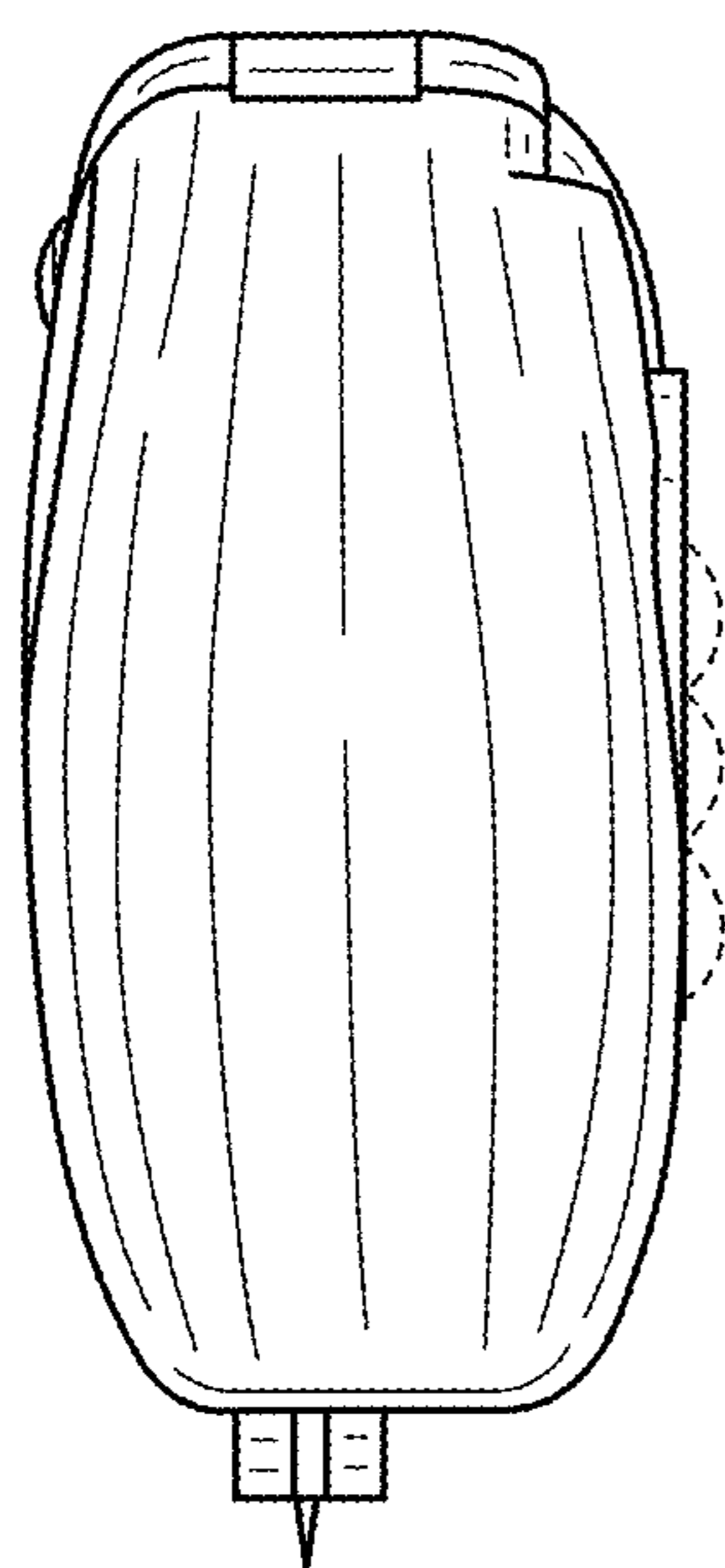


FIG.18

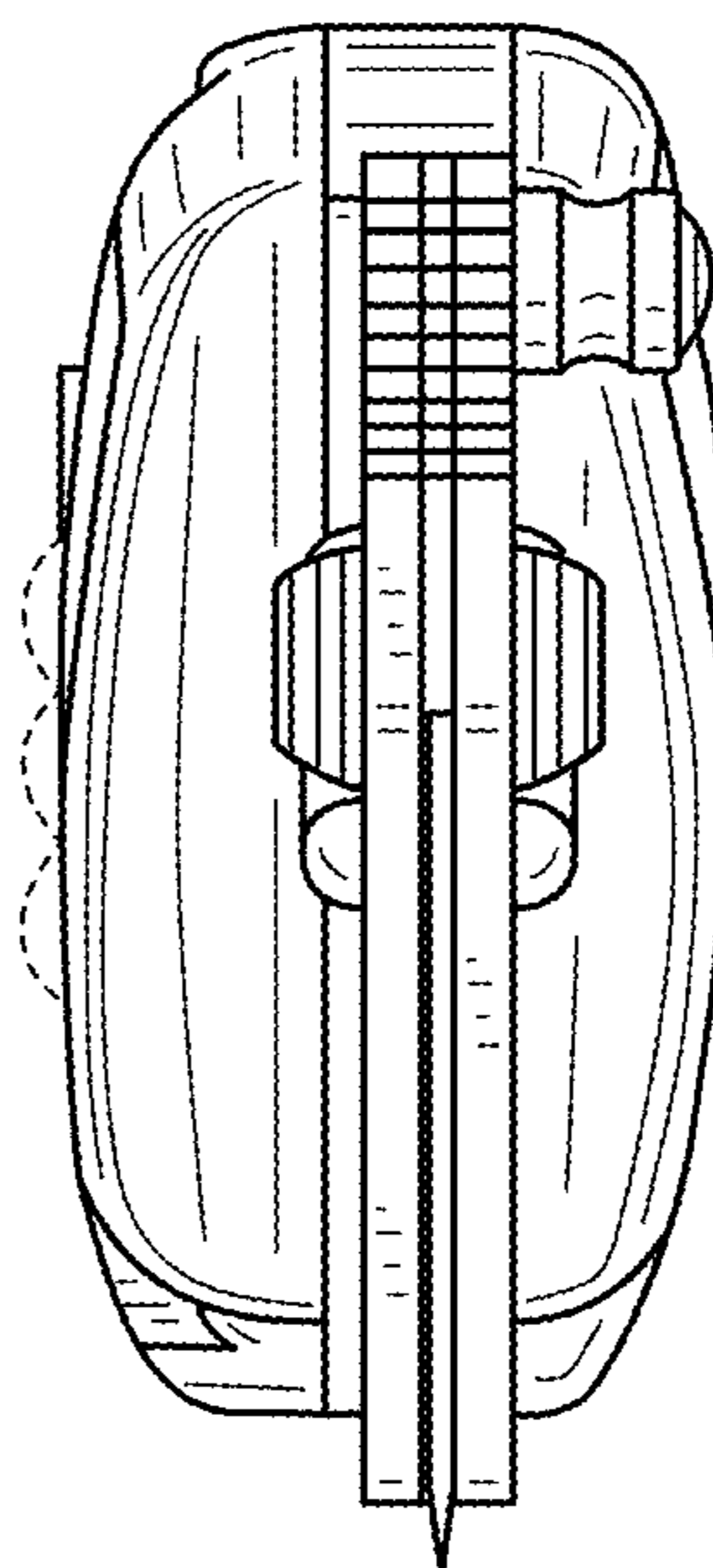


FIG.19

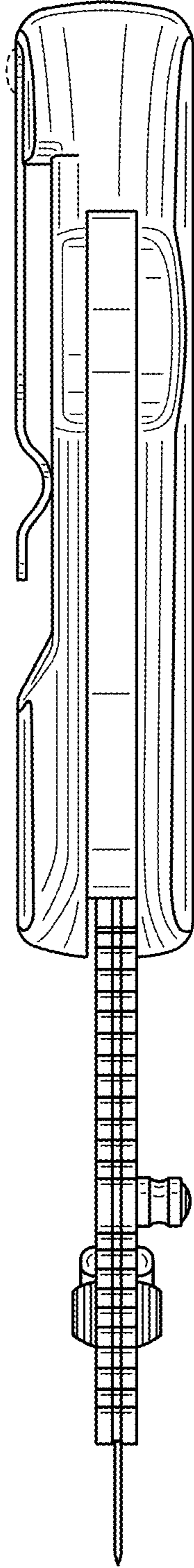


FIG. 20

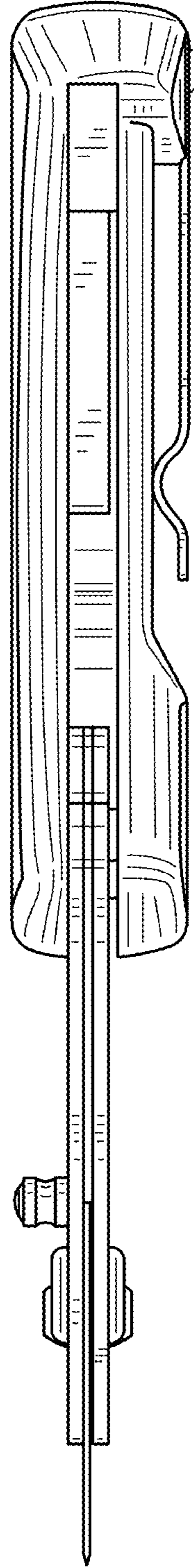


FIG. 21