

US00D856108S

(12) **United States Design Patent** (10) **Patent No.:** **US D856,108 S**  
Su (45) **Date of Patent:** **\*\* Aug. 13, 2019**

(54) **PRYING BAR**  
(71) Applicant: **Hong Ann Tool Industries Co., Ltd.,**  
Taichung (TW)  
(72) Inventor: **Cheng-Wei Su, Taichung (TW)**  
(73) Assignee: **Hong Ann Tool Industries Co., Ltd.,**  
Taichung (TW)  
(\*\*) Term: **15 Years**  
(21) Appl. No.: **29/617,098**  
(22) Filed: **Sep. 12, 2017**  
(51) **LOC (12) Cl.** ..... **08-05**  
(52) **U.S. Cl.**  
USPC ..... **D8/89**  
(58) **Field of Classification Search**  
USPC ..... D8/14, 81, 79, 88, 89, 105  
CPC .. B66F 15/00; B25G 1/06; B25G 1/00; B25G  
3/38; B25G 1/04  
See application file for complete search history.

8,763,225 B2 \* 7/2014 Bruce ..... B25B 27/02  
29/270  
D719,429 S \* 12/2014 Gillogly ..... D8/89  
D777,005 S \* 1/2017 Liou ..... D8/89  
D786,082 S \* 5/2017 Kachar ..... D30/121  
2012/0223279 A1 \* 9/2012 Liou ..... B25F 1/00  
254/130  
2012/0261628 A1 \* 10/2012 Su ..... B66F 15/00  
254/129  
2013/0175486 A1 \* 7/2013 Stawarski ..... B25G 1/06  
254/129  
2014/0145127 A1 \* 5/2014 Su ..... B25G 1/04  
254/129

\* cited by examiner

*Primary Examiner* — Philip S Hyder

(74) *Attorney, Agent, or Firm* — Alan D. Kamrath; Mayer & Williams PC

(57) **CLAIM**

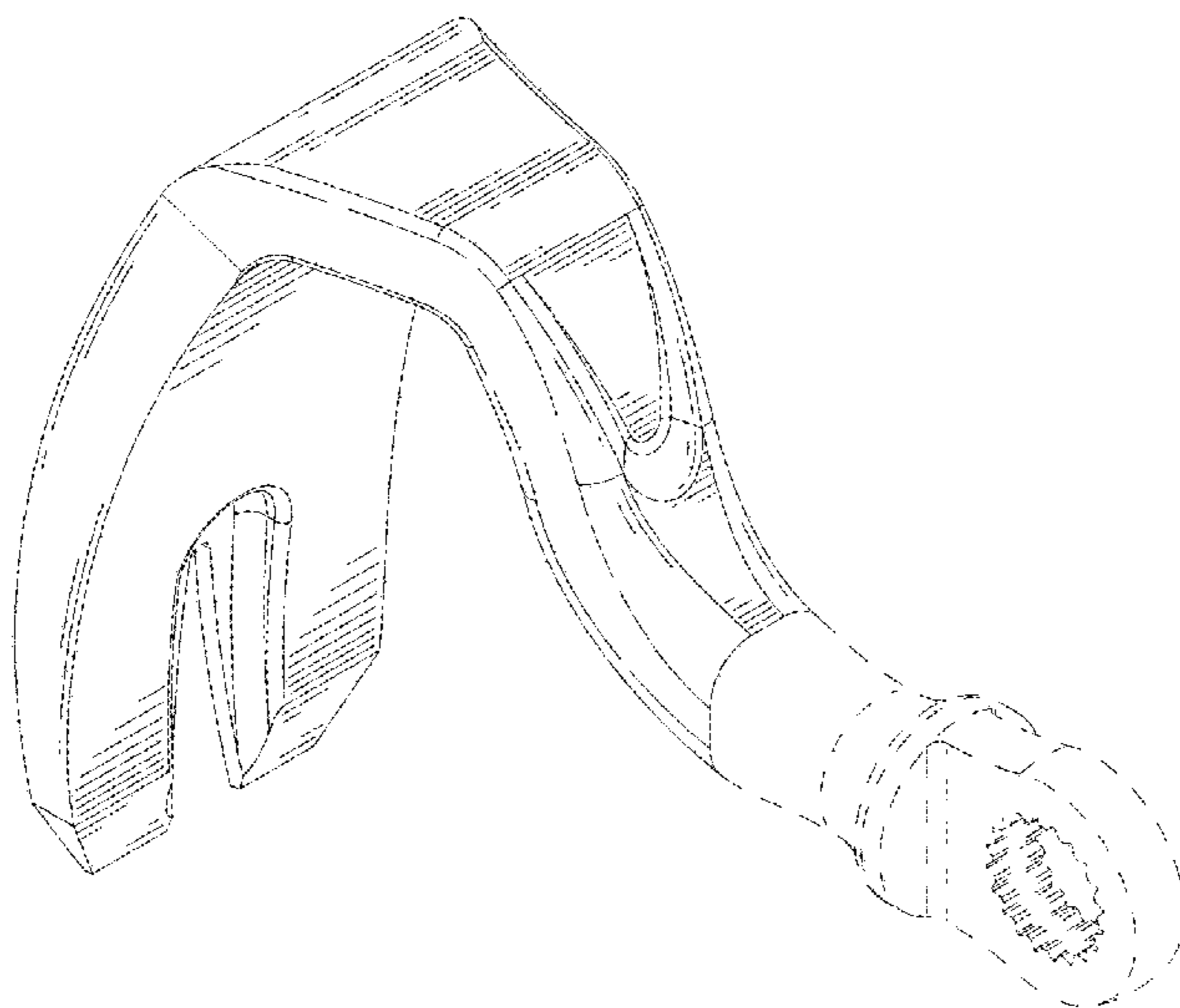
The ornamental design for a prying bar, as shown and described.

**DESCRIPTION**

FIG. 1 is a perspective view of a prying bar showing my new design;  
FIG. 2 is a front view thereof;  
FIG. 3 is a left view thereof;  
FIG. 4 is a right view thereof;  
FIG. 5 is a top view thereof;  
FIG. 6 is a bottom view thereof; and,  
FIG. 7 is a perspective view of the prying bar showing my new design and shows the prying bar connected to a handle. The broken lines depict portions of the prying bar in which the design is embodied that are not considered part of the claimed design.

**1 Claim, 7 Drawing Sheets**

(56) **References Cited**  
U.S. PATENT DOCUMENTS  
2,379,387 A \* 6/1945 Tessier ..... B25B 27/02  
254/131  
6,644,627 B1 \* 11/2003 Forrester ..... B66F 15/00  
254/131  
7,278,626 B1 \* 10/2007 Chang ..... B66F 15/00  
254/25  
7,628,382 B2 \* 12/2009 Cole ..... B25C 11/00  
254/131  
D624,384 S \* 9/2010 Su ..... D8/89  
D634,599 S \* 3/2011 Good ..... D8/89  
8,511,207 B2 \* 8/2013 Su ..... B25G 1/06  
254/25



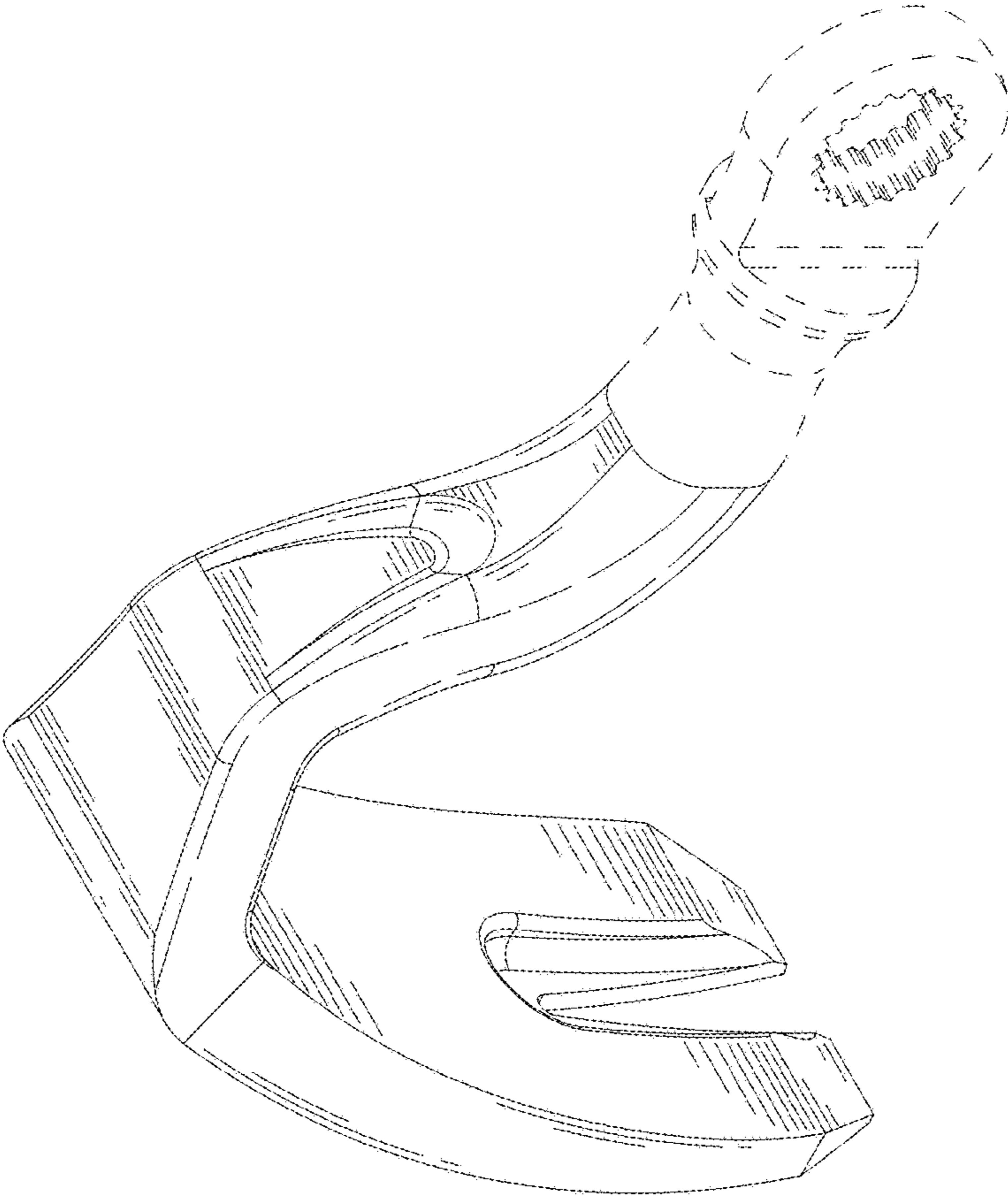


FIG. 1

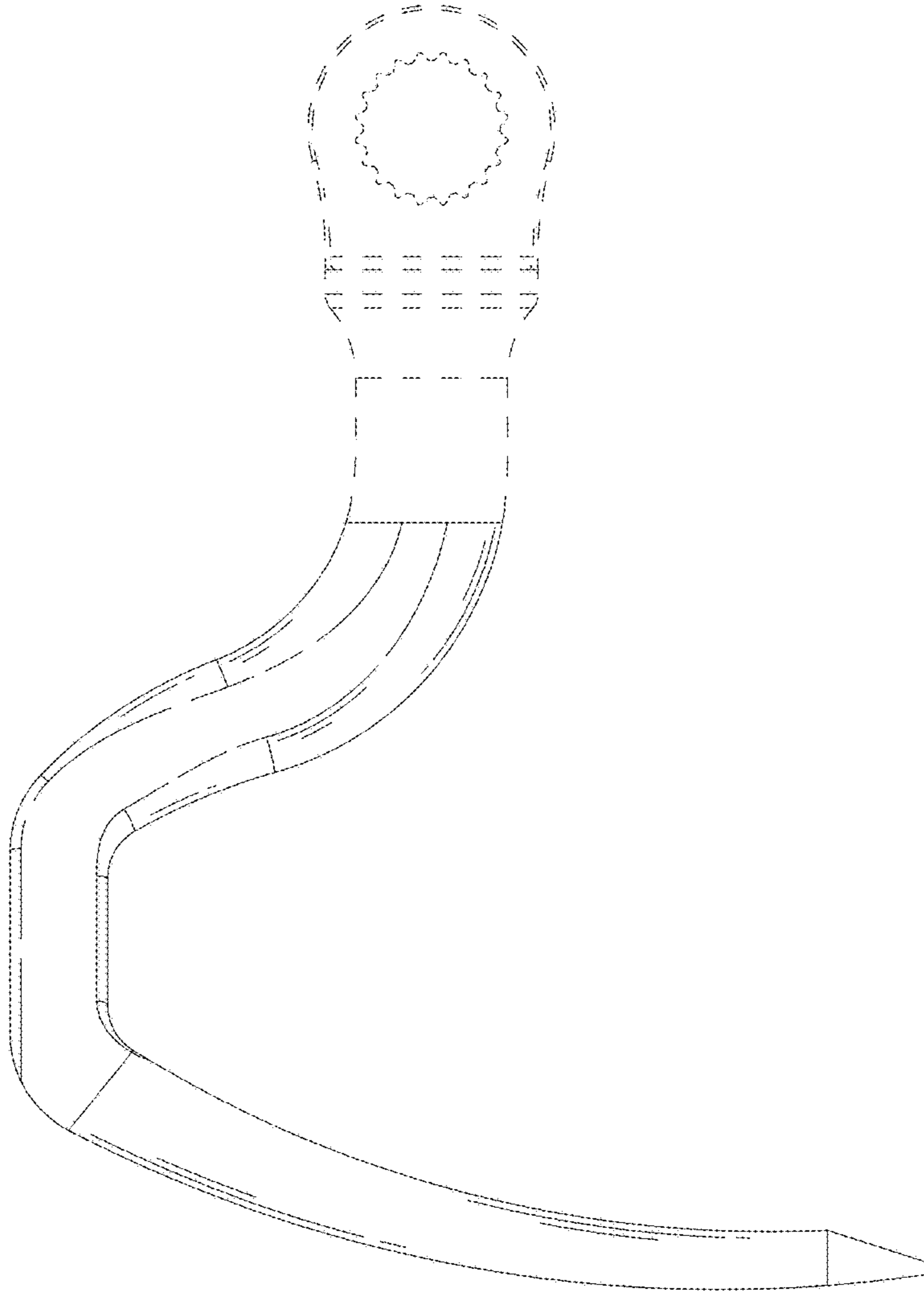


FIG. 2

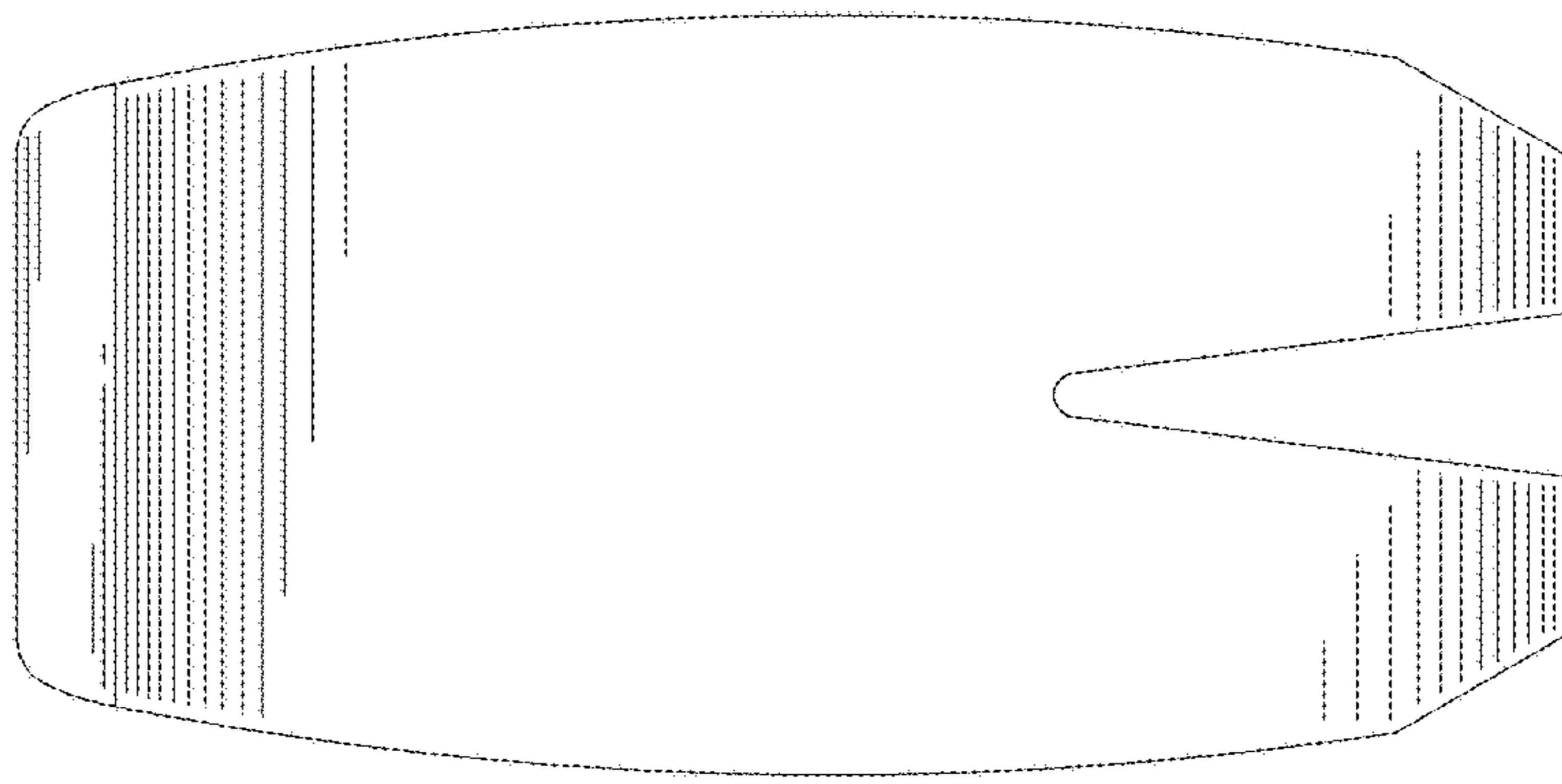


FIG. 3

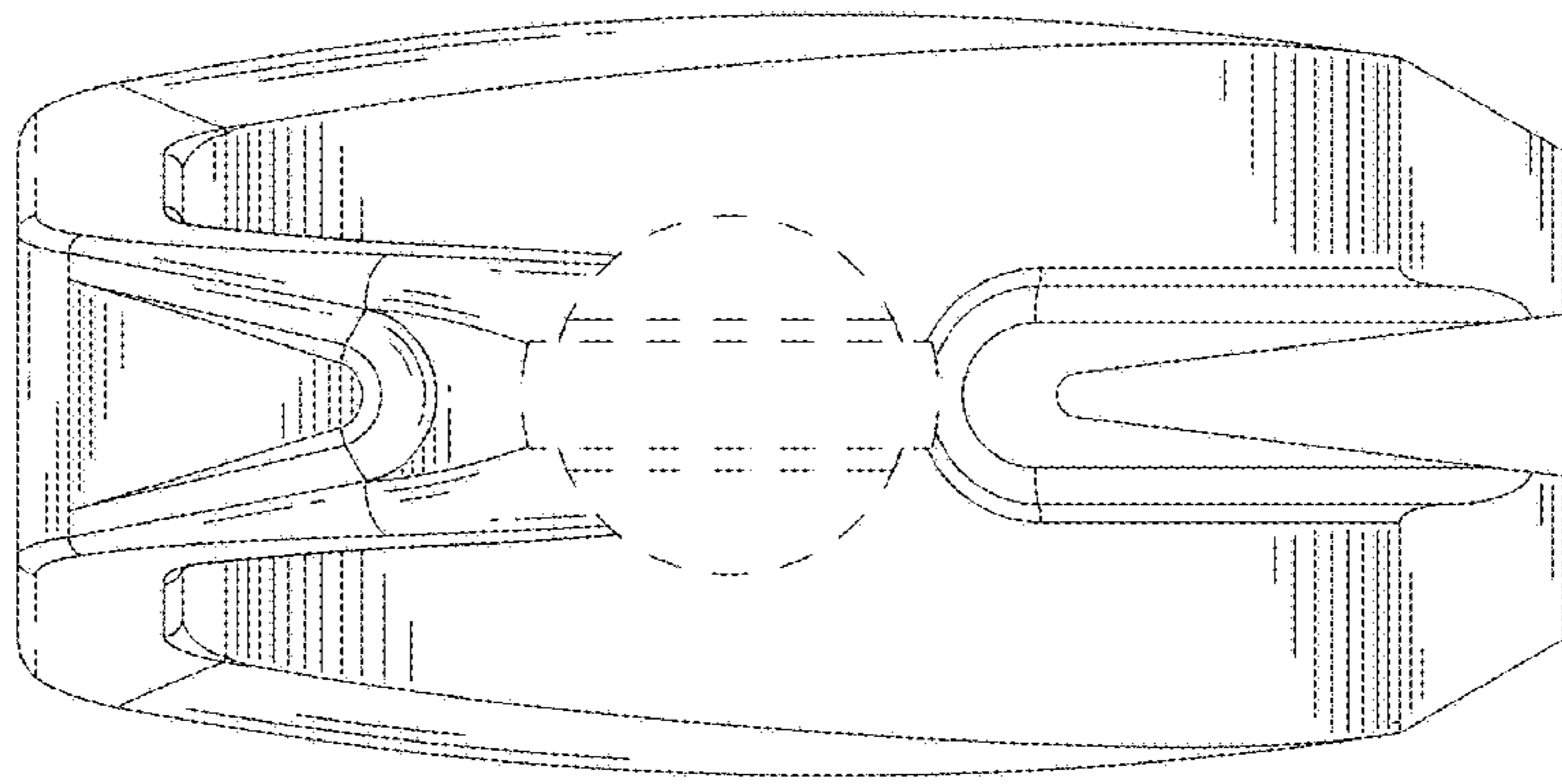


FIG. 4

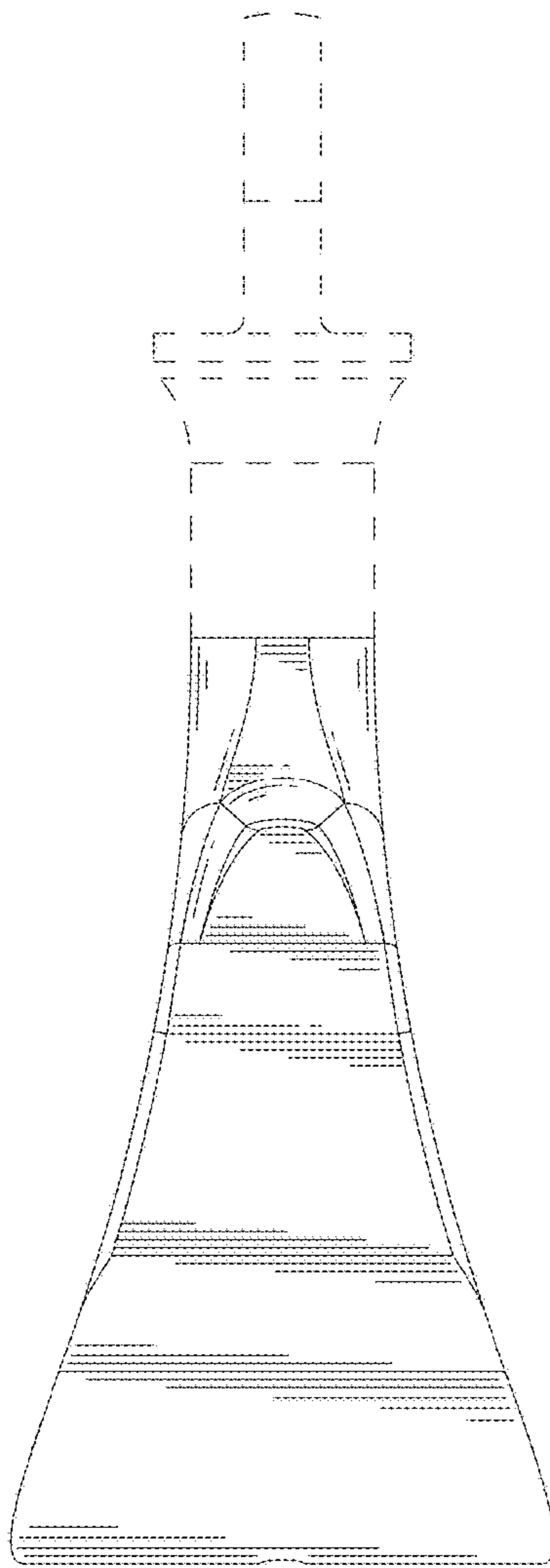


FIG. 5

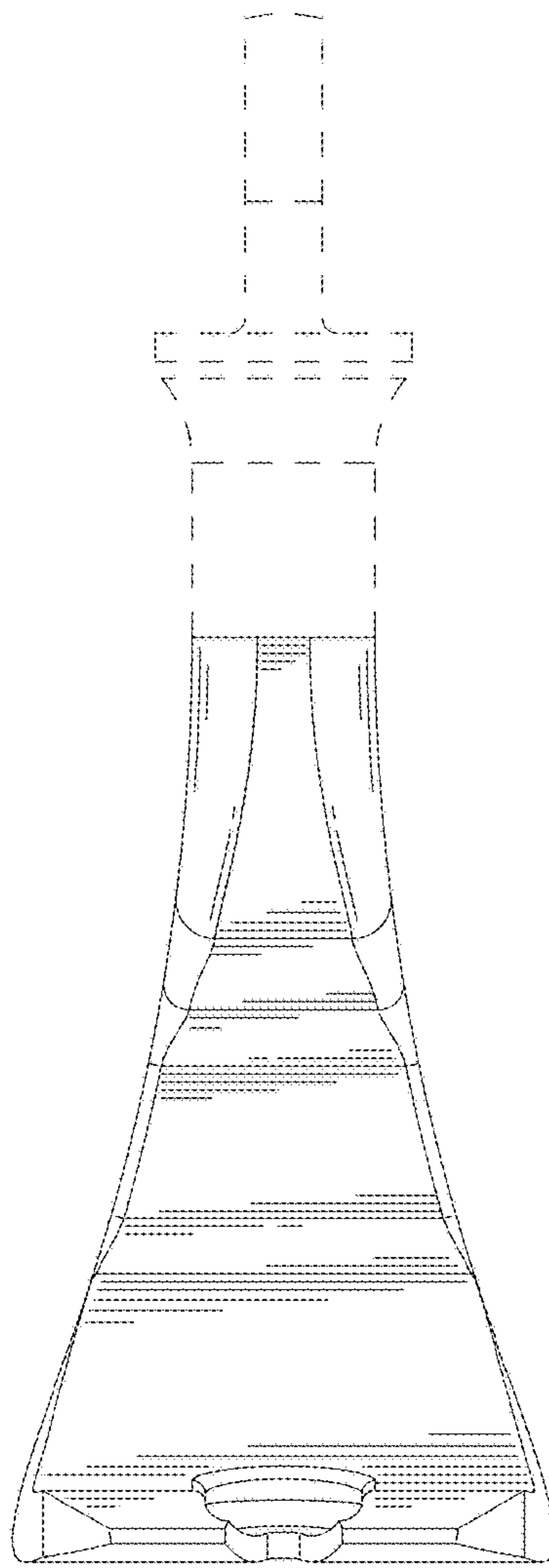


FIG. 6

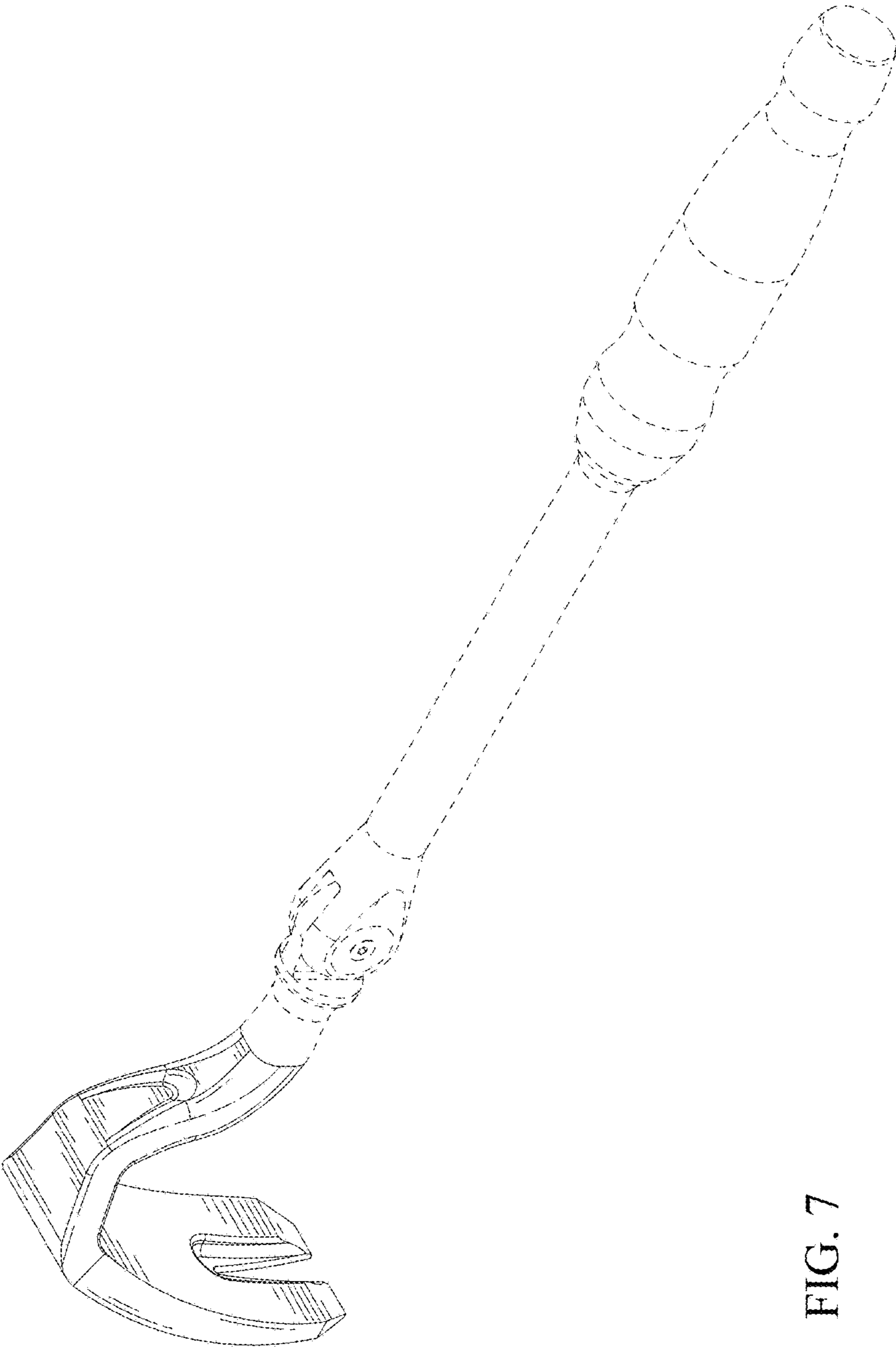


FIG. 7