



US00D856107S

(12) **United States Design Patent**  
**Dahill**

(10) **Patent No.:** **US D856,107 S**

(45) **Date of Patent:** **\*\* Aug. 13, 2019**

(54) **TOP MEMBER FOR TILE LEVELING DEVICE**

(71) Applicant: **TTI (MACAO COMMERCIAL OFFSHORE) LIMITED, Macau (MO)**

(72) Inventor: **Drew A. Dahill, Pendleton, SC (US)**

(73) Assignee: **TTI (MACAO COMMERCIAL OFFSHORE) LIMITED, Macau (MO)**

(\*\*) Term: **15 Years**

(21) Appl. No.: **29/636,499**

(22) Filed: **Feb. 8, 2018**

(51) **LOC (12) Cl.** ..... **08-05**

(52) **U.S. Cl.**  
USPC ..... **D8/71**

(58) **Field of Classification Search**  
USPC ..... D8/105, 307, 310, 313, 321, 354, 382,  
D8/387, 71  
CPC ..... E04F 19/06; E04F 21/18; E04F 21/0092;  
B28D 1/225; G09F 2017/0066; G09F  
17/00; G01B 3/30  
See application file for complete search history.

(56) **References Cited**

**U.S. PATENT DOCUMENTS**

4,397,125	A	8/1983	Gussler et al.
5,603,195	A	2/1997	Cosentino
7,257,926	B1	8/2007	Kirby
7,621,100	B2	11/2009	Kutner et al.
7,861,487	B2	1/2011	Kufner et al.
7,946,093	B1	5/2011	Sturino
7,954,300	B1	6/2011	Kufner et al.
7,992,354	B2	8/2011	Doda, Jr.
8,011,164	B2	9/2011	Kufner et al.
8,079,199	B1	12/2011	Kutner et al.
8,099,926	B2	1/2012	Kufner et al.
8,181,420	B2	5/2012	Torrents I Comas
8,336,279	B2	12/2012	Kufner et al.

D678,039	S *	3/2013	Psaila	.....	D8/354
8,429,878	B1	4/2013	Hoffman et al.		
8,429,879	B1	4/2013	Hoffman et al.		
8,561,370	B1	10/2013	Hoffman et al.		
8,572,927	B1	11/2013	Hoffman et al.		
8,607,530	B2	12/2013	Hoffman et al.		

(Continued)

**FOREIGN PATENT DOCUMENTS**

BR	102014010232-9	A2	2/2016
EP	2241702	A2	10/2010
WO	2016135354	A1	9/2016

*Primary Examiner* — Janice Hallmark

*Assistant Examiner* — Harold E Blackwell, II

(74) *Attorney, Agent, or Firm* — Michael Best & Friedrich LLP

(57) **CLAIM**

I claim the ornamental design for a top member for tile leveling device, as shown and described.

**DESCRIPTION**

FIG. 1 is a top-front perspective view of a top member for a tile leveling device according to an embodiment of the invention.

FIG. 2 is a top view of the top member of FIG. 1.

FIG. 3 is a bottom view of the top member of FIG. 1.

FIG. 4 is a front view of the top member of FIG. 1.

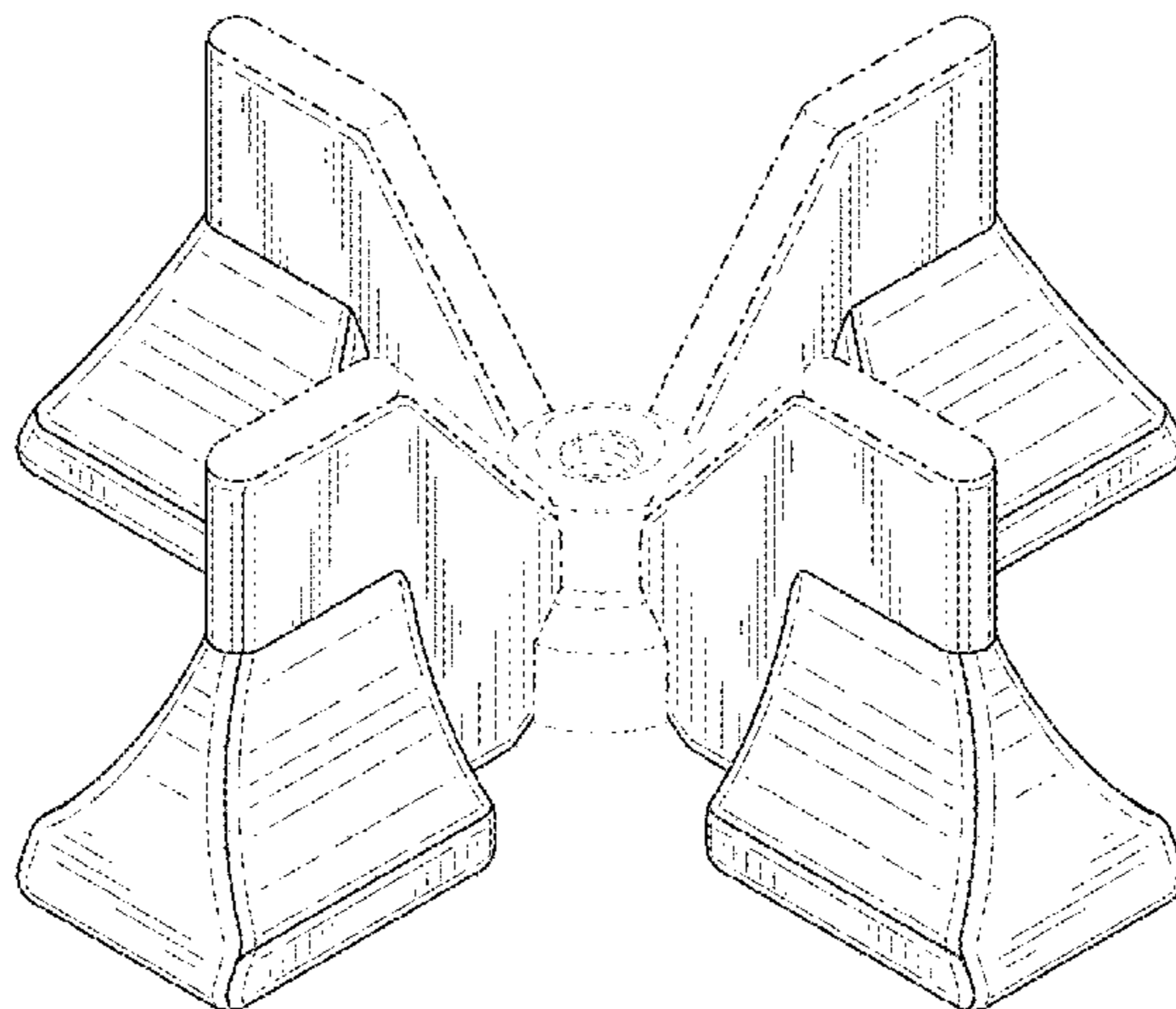
FIG. 5 is a rear view of the top member of FIG. 1.

FIG. 6 is a left view of the top member of FIG. 1; and,

FIG. 7 is a right view of the top member of FIG. 1.

The portions of the top member for tile leveling device shown in broken lines are included for the purpose of illustrating environment and form no part of the claimed design. The portions of the top member for tile leveling device shown in broken lines having unequal length segments illustrate the boundary of the claimed design and form no part of the claimed design.

**1 Claim, 5 Drawing Sheets**



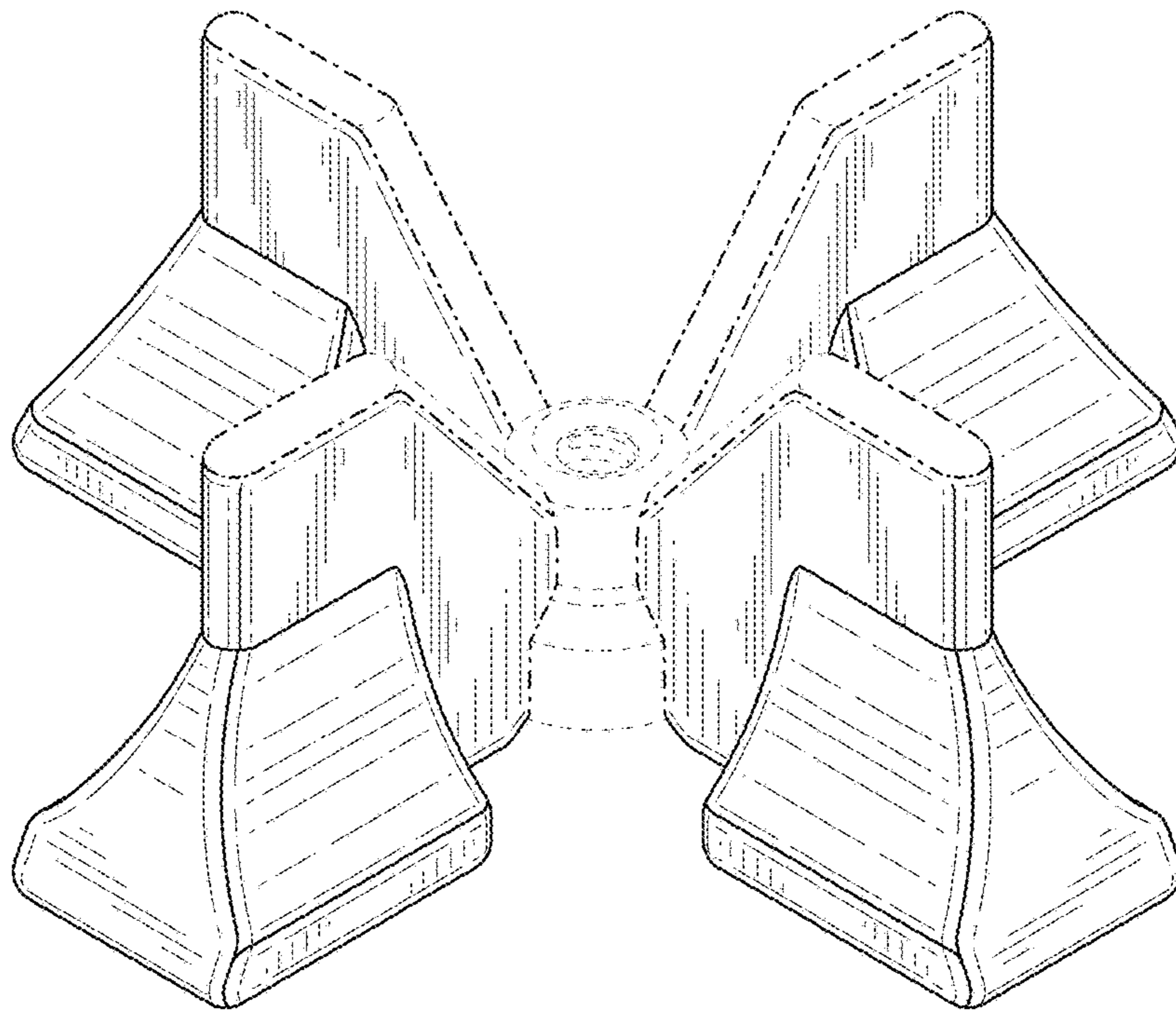
(56)

References Cited

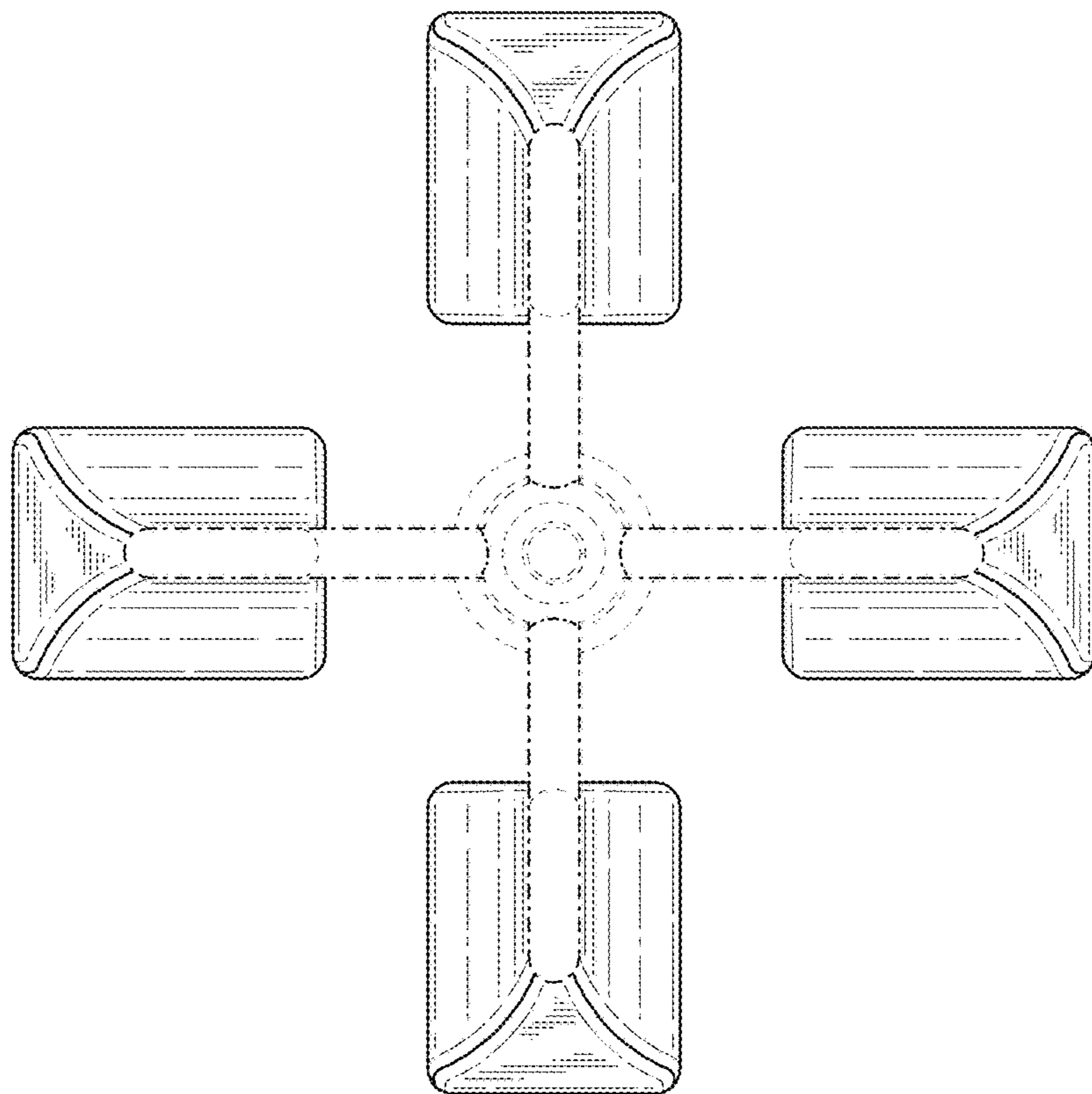
U.S. PATENT DOCUMENTS

8,635,815 B2	1/2014	Bordin	9,482,019 B2	11/2016	Fontana
8,671,628 B2	3/2014	Sighinolfi	9,487,959 B2	11/2016	Bunch et al.
8,689,521 B1	4/2014	Hoffman et al.	D775,935 S *	1/2017	Sarajian ..... D8/354
8,689,522 B2	4/2014	Hoffman et al.	D778,709 S	2/2017	Russo
8,800,246 B2	8/2014	Gorton	9,657,485 B2 *	5/2017	Meyers ..... E04F 21/1877
8,820,031 B2	9/2014	Kufner et al.	D792,250 S *	7/2017	Hill ..... D10/66
8,887,475 B2	11/2014	Ghelfi	D830,161 S *	10/2018	Russo ..... D8/399
8,966,835 B1	3/2015	Hoffman et al.	D831,459 S *	10/2018	Cartwright ..... D8/70
9,027,308 B2	3/2015	Kufner et al.	D834,922 S *	12/2018	Russo ..... D8/355
9,010,064 B1	4/2015	Farahmandpour	2006/0185269 A1	8/2006	Kufner et al.
9,045,911 B2	6/2015	Hoffman et al.	2009/0126213 A1 *	5/2009	Tavy ..... E04F 21/0092 33/527
9,097,026 B2	8/2015	Hoffman et al.	2010/0263304 A1	10/2010	Torrents I Comas
D742,719 S *	11/2015	Komura ..... D8/349	2010/0287868 A1	11/2010	Kutner et al.
9,228,363 B2	1/2016	Kufner et al.	2013/0067854 A1 *	3/2013	Bordin ..... E04F 21/0092 52/749.11
9,260,855 B2	2/2016	Farahmandpour	2013/0255182 A1	10/2013	Kufner et al.
9,260,872 B2	2/2016	Bunch	2014/0116001 A1	5/2014	Ghelfi
9,267,298 B2	2/2016	Kufner et al.	2014/0325936 A1	11/2014	Psaila et al.
9,279,259 B1	3/2016	Russo	2015/0211243 A1	7/2015	Irvine et al.
9,322,185 B1	4/2016	Russo	2015/0240504 A1	8/2015	Hoffman et al.
9,322,186 B1	4/2016	Chang	2015/0267420 A1	9/2015	Fontana
9,328,522 B2	5/2016	Bordin	2016/0108627 A1	4/2016	Kufner et al.
9,464,448 B2	10/2016	Hoffman et al.	2016/0186449 A1	6/2016	Lee
9,470,002 B2	10/2016	Irvine et al.	2016/0376795 A1	12/2016	Irvine et al.
9,470,003 B1	10/2016	Moon	2017/0009464 A1	1/2017	Hoffman et al.
9,482,018 B2	11/2016	Torrents I Comas	2017/0009465 A1	1/2017	Volponi

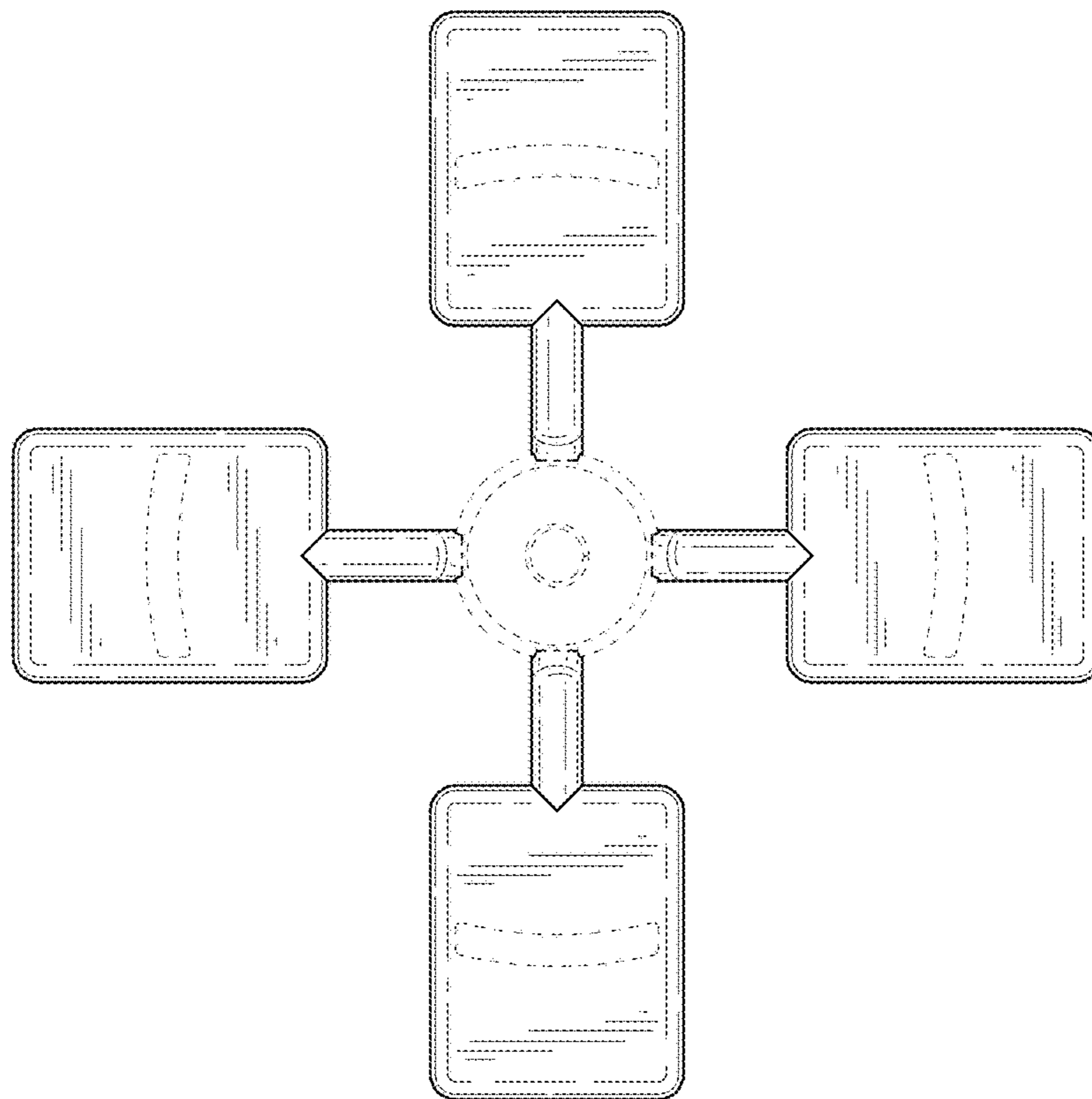
\* cited by examiner



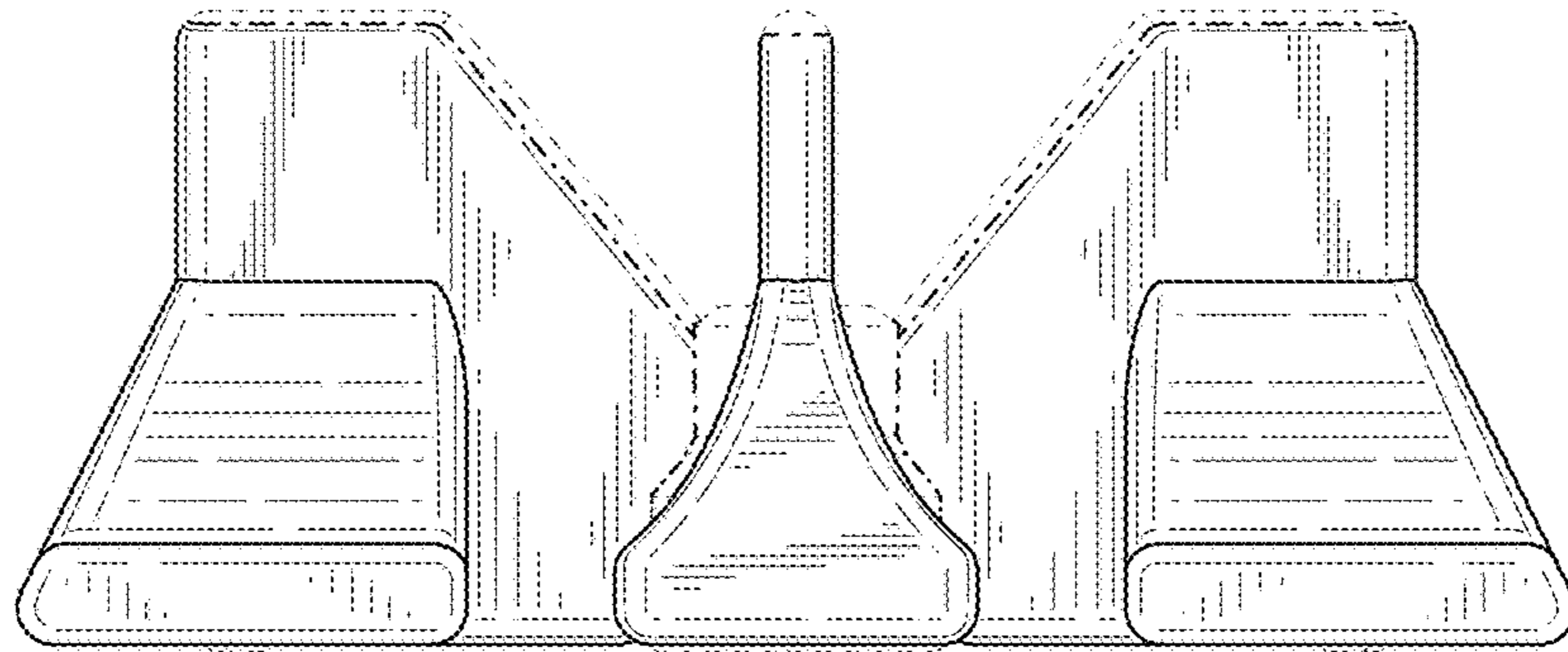
**FIG. 1**



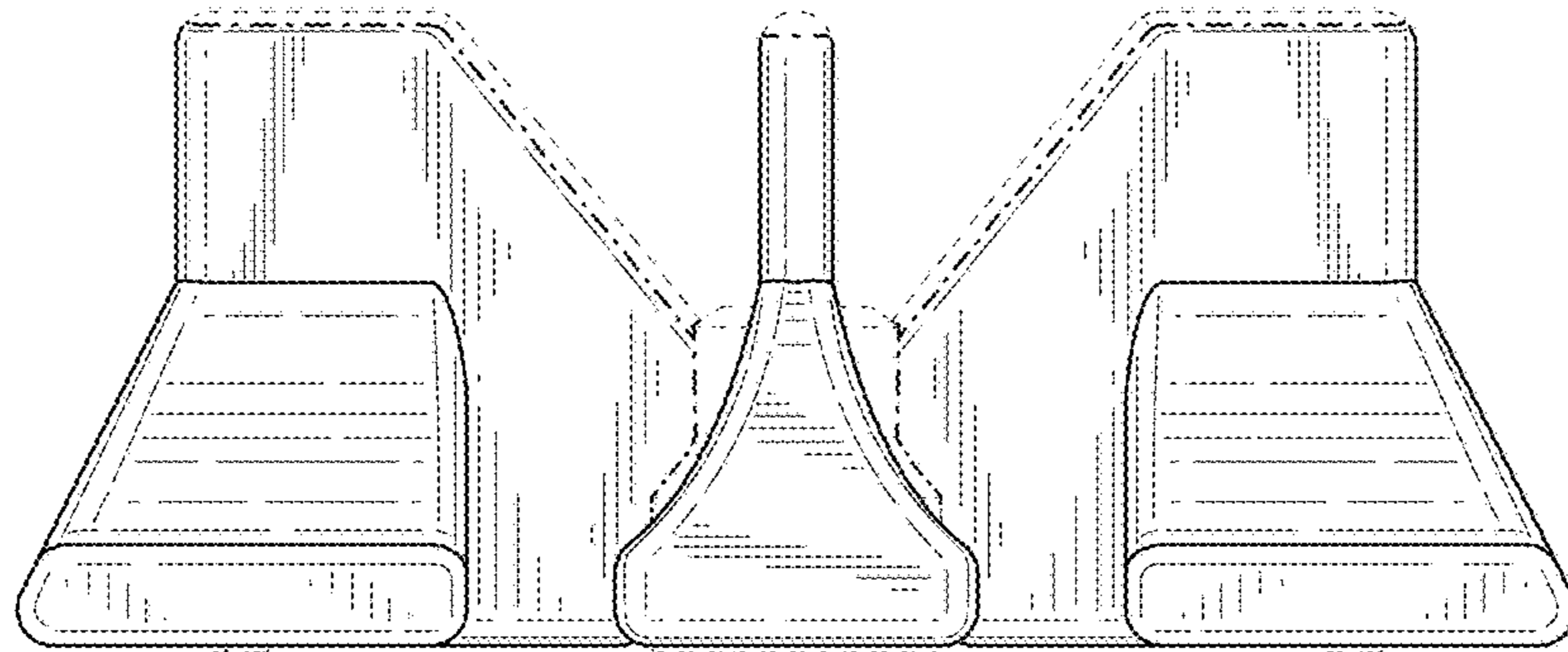
**FIG. 2**



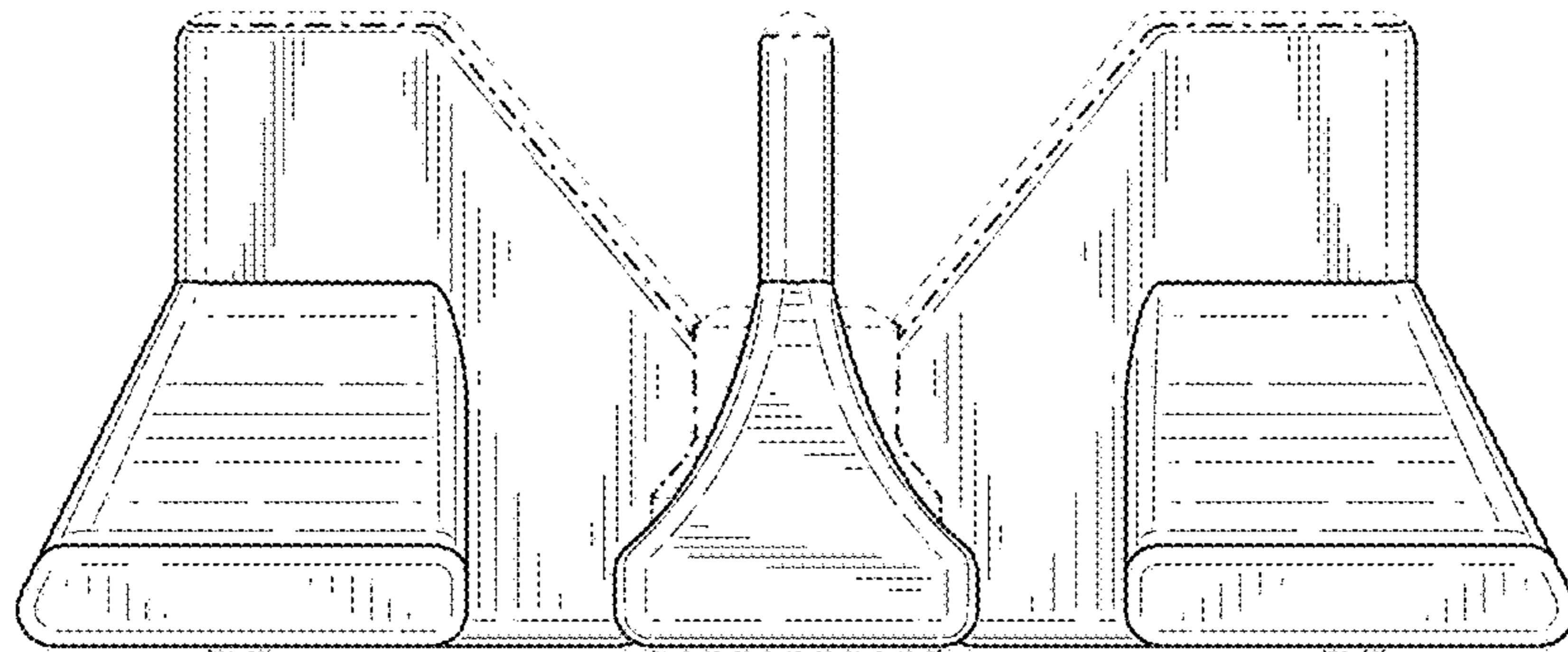
**FIG. 3**



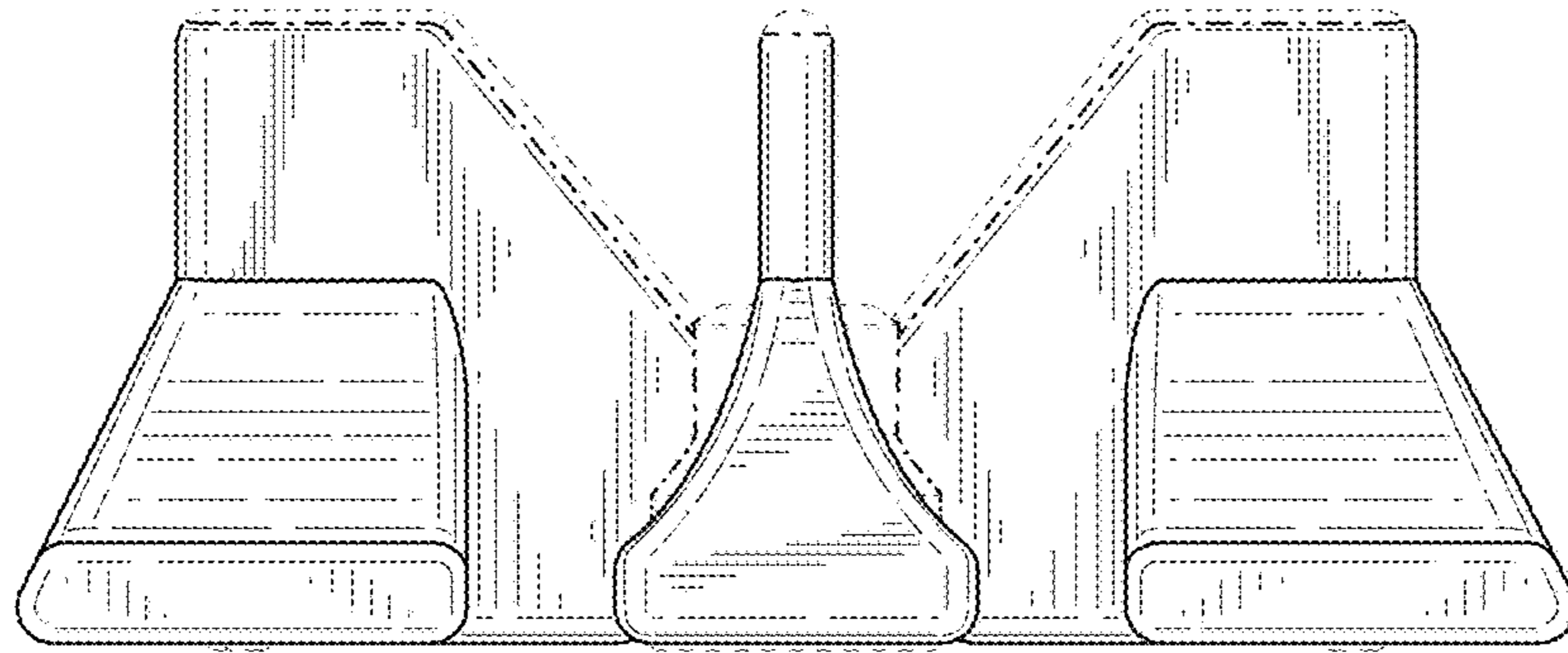
**FIG. 4**



**FIG. 5**



**FIG. 6**



**FIG. 7**