



US00D856103S

(12) **United States Design Patent**
Iwama

(10) **Patent No.:** **US D856,103 S**

(45) **Date of Patent:** **** Aug. 13, 2019**

(54) **TAPE STICKING ASSISTING TOOL**

(71) Applicant: **NAGAKI SEIKI CO., LTD.**, Daito-shi,
Osaka (JP)

(72) Inventor: **Tamotsu Iwama**, Daito (JP)

(73) Assignee: **NAGAKI SEIKI CO., LTD.**,
Daito-Shi, Osaka (JP)

(**) Term: **15 Years**

(21) Appl. No.: **29/621,066**

(22) Filed: **Oct. 4, 2017**

(30) **Foreign Application Priority Data**

Apr. 7, 2017 (JP) 2017-007481

(51) **LOC (12) Cl.** **08-05**

(52) **U.S. Cl.**
USPC **D8/70**

(58) **Field of Classification Search**
USPC D8/14, 51, 61, 68, 70
CPC . B65B 27/105; B65B 27/10; H01B 13/01281;
H01B 13/0036
See application file for complete search history.

(56) **References Cited**

U.S. PATENT DOCUMENTS

4,346,550 A * 8/1982 Ferree H01B 13/0808
242/439.5
4,790,896 A * 12/1988 Schmalholtz H01B 13/01281
156/392

5,355,787 A * 10/1994 Burns B65B 27/105
100/27
5,875,618 A * 3/1999 Sodies B65B 27/105
156/468
8,256,482 B2 * 9/2012 Brosseau B29C 63/105
156/185
9,242,832 B2 * 1/2016 Word B65H 81/02
9,786,416 B1 * 10/2017 Kerstetter H01B 13/01281

* cited by examiner

Primary Examiner — Philip S Hyder

(74) *Attorney, Agent, or Firm* — Rabin & Berdo, P.C.

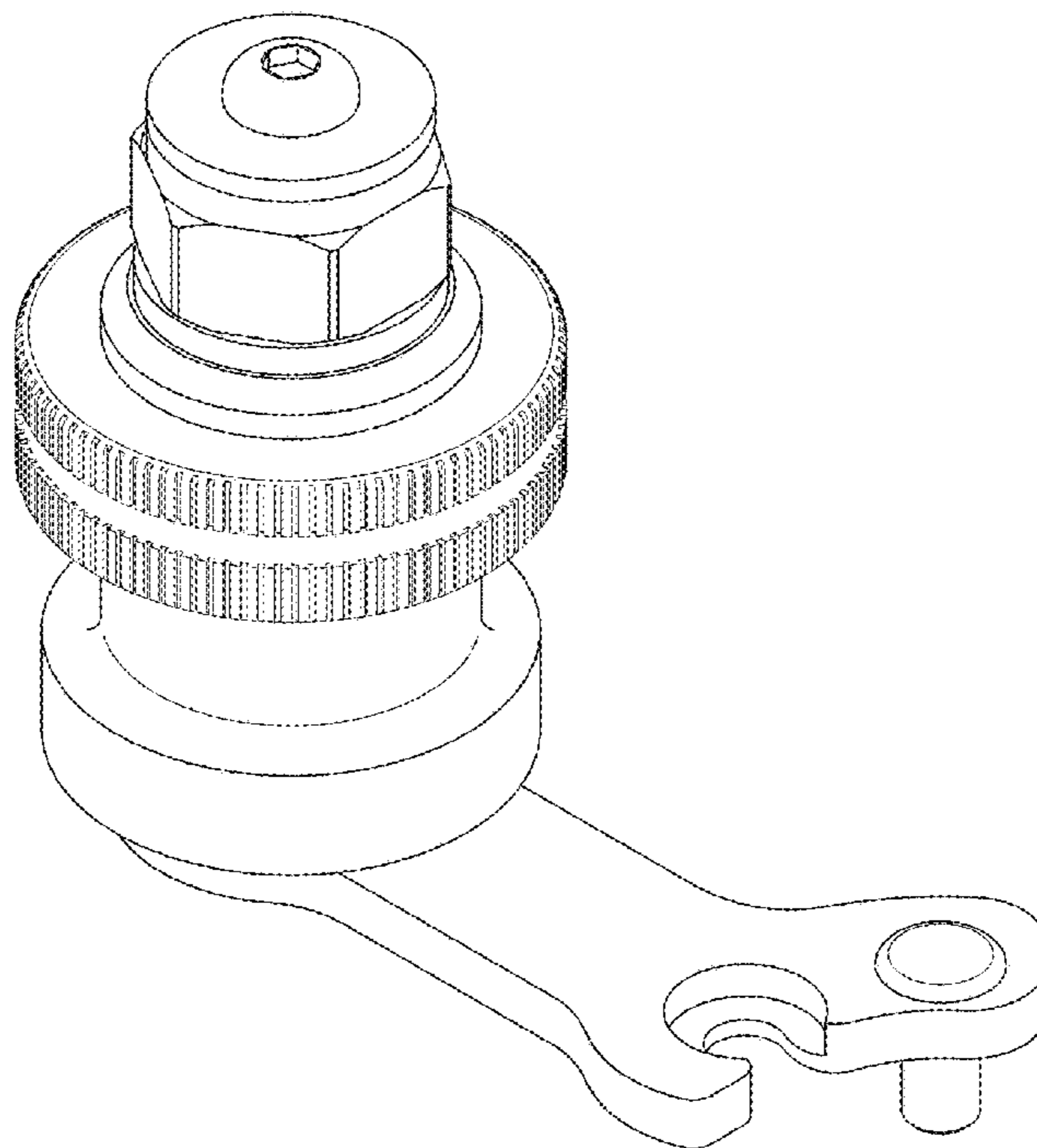
(57) **CLAIM**

The ornamental design for a tape sticking assisting tool, as shown and described.

DESCRIPTION

FIG. 1 is a front view of the tape sticking assisting tool;
FIG. 2 is a rear view thereof;
FIG. 3 is a top view thereof;
FIG. 4 is a bottom view thereof;
FIG. 5 is a right side view thereof;
FIG. 6 is a left side view thereof; and,
FIG. 7 is a perspective view thereof.

1 Claim, 4 Drawing Sheets



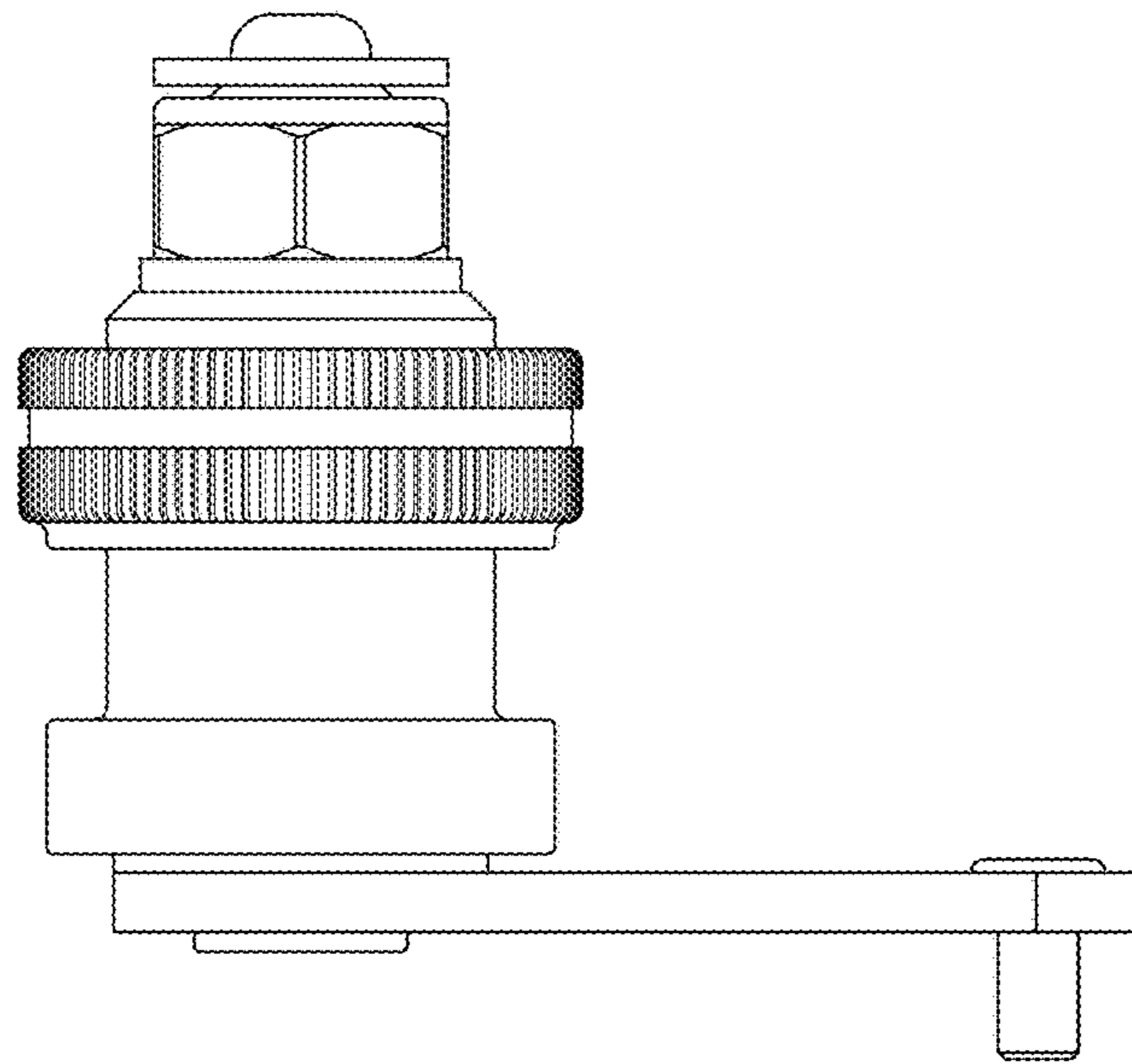


FIG. 1

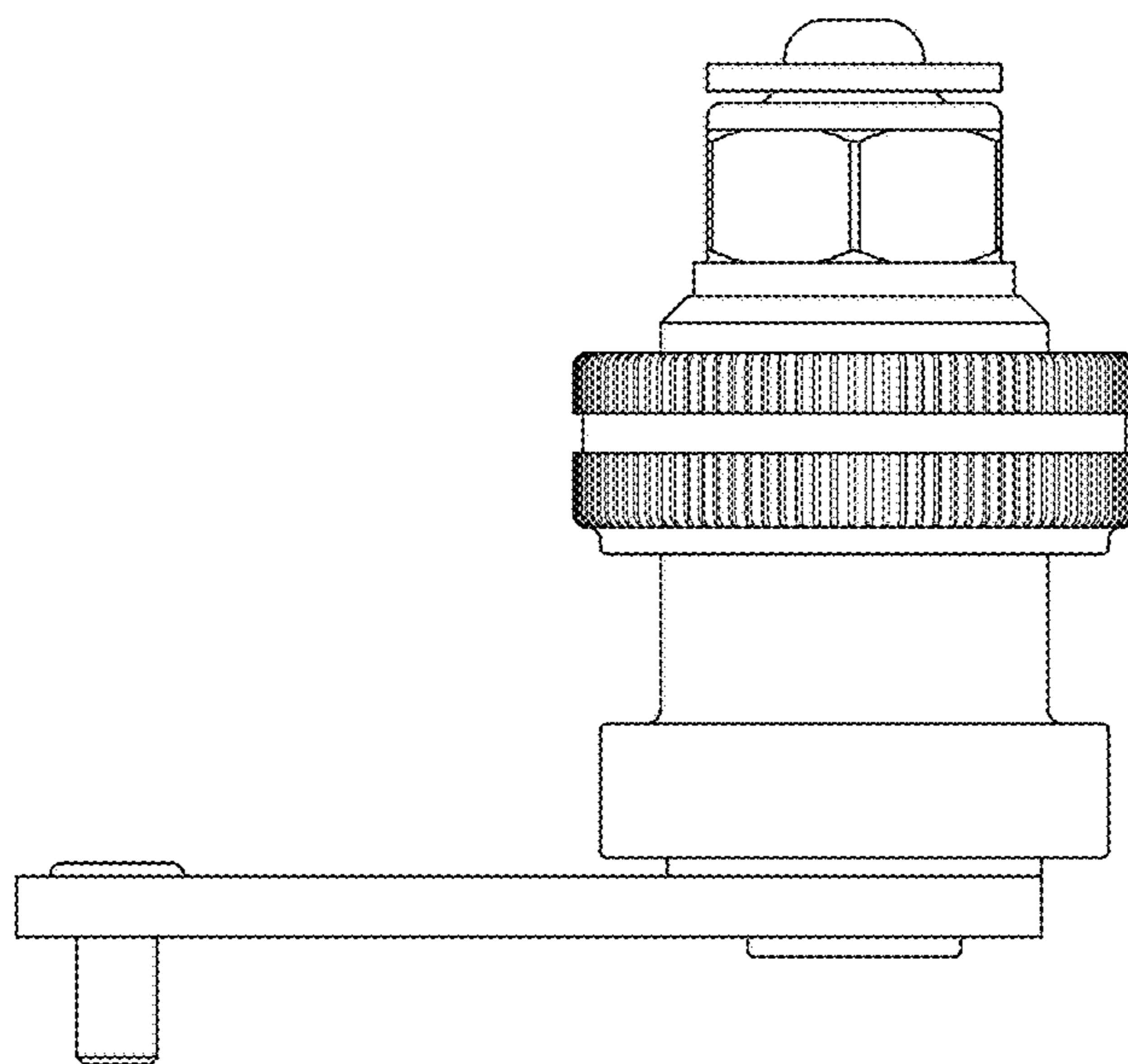


FIG. 2

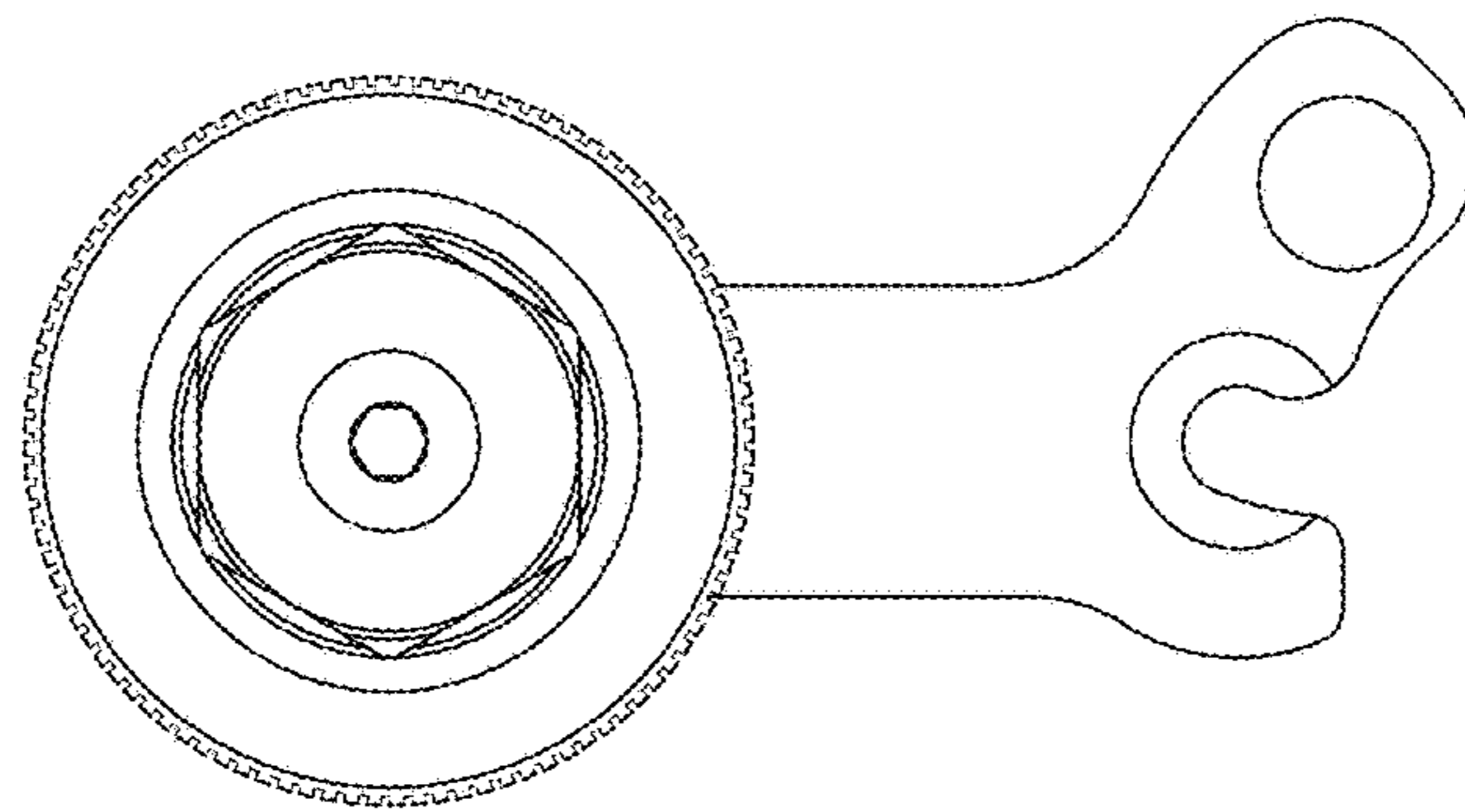


FIG. 3

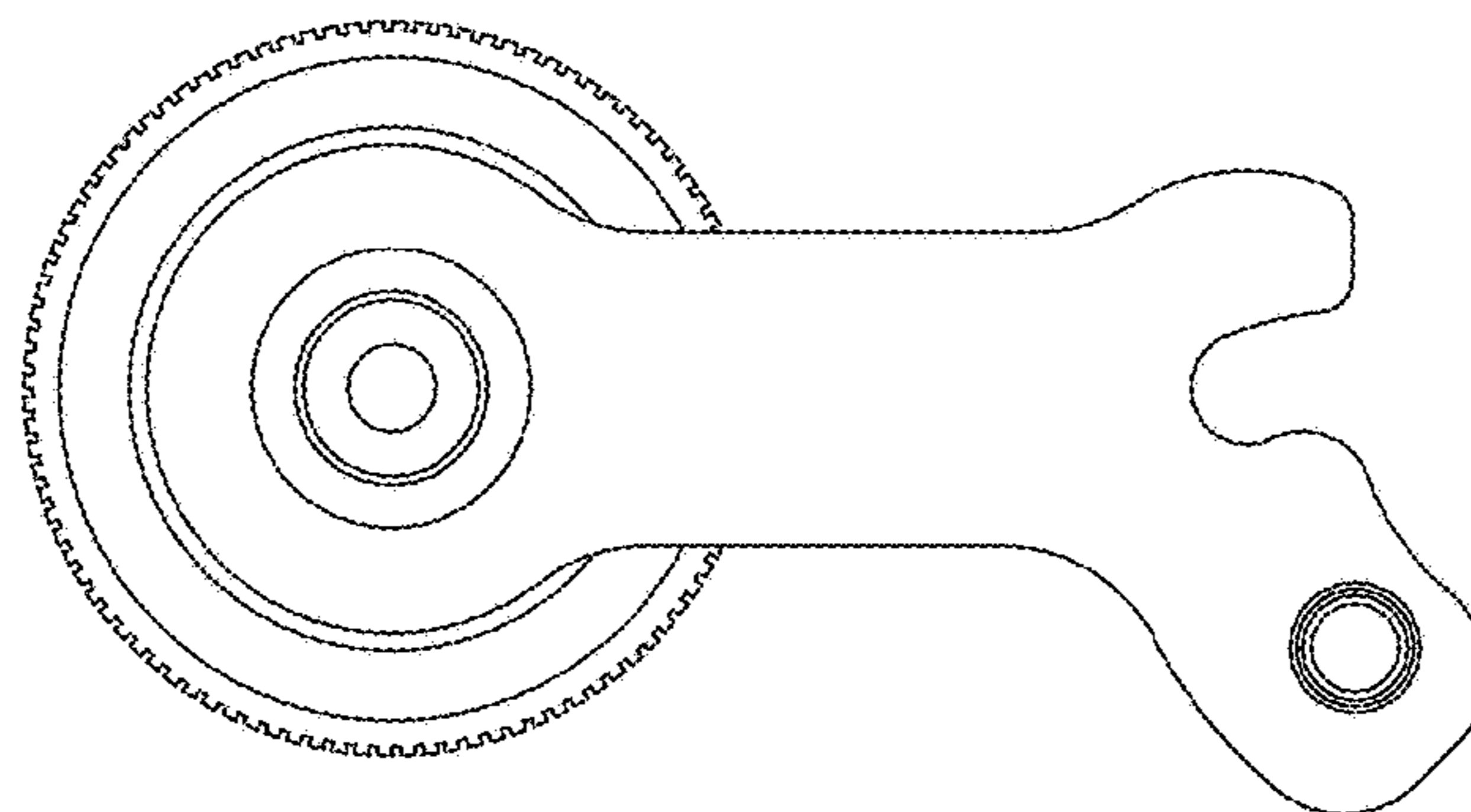


FIG. 4

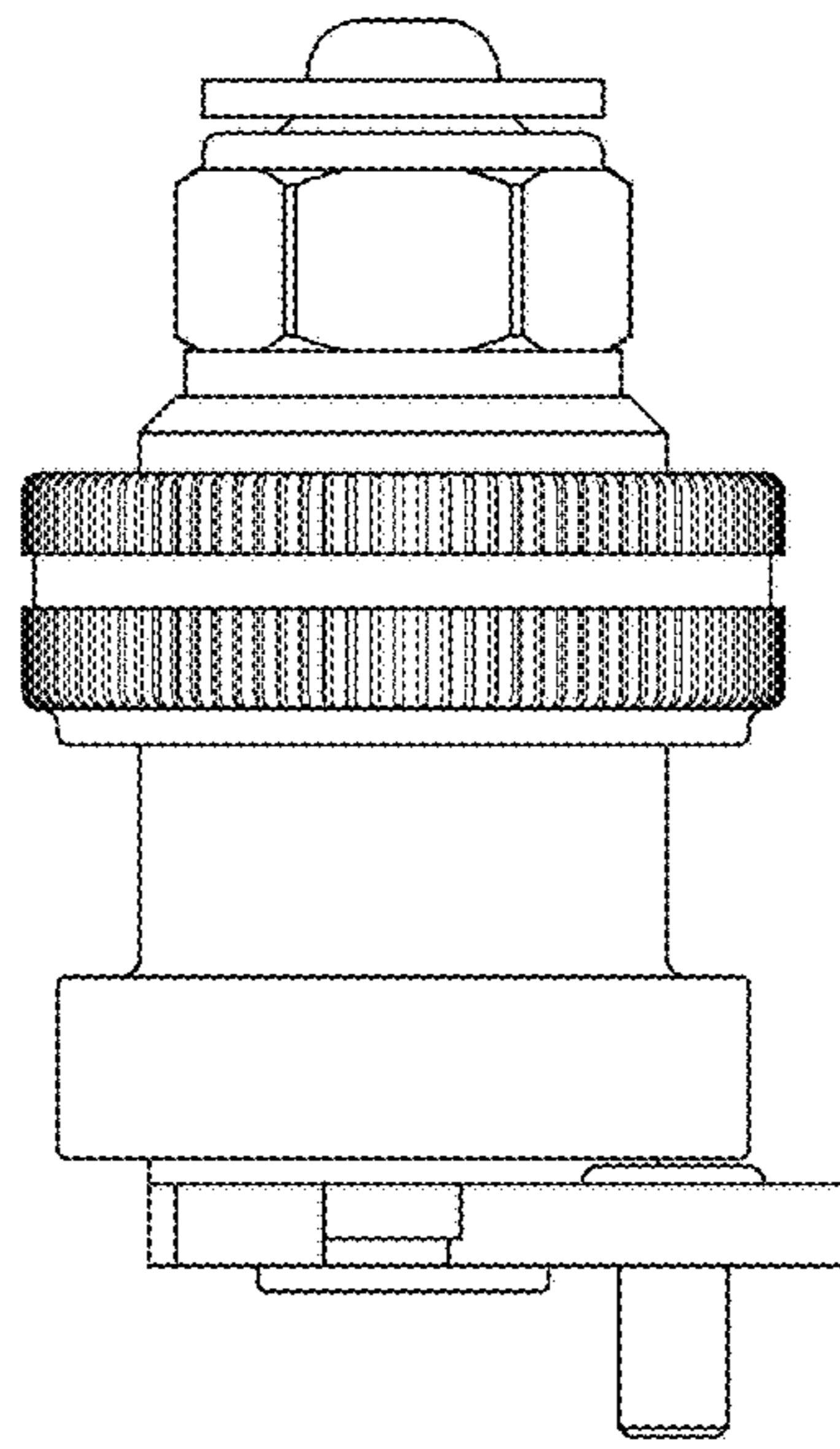


FIG. 5

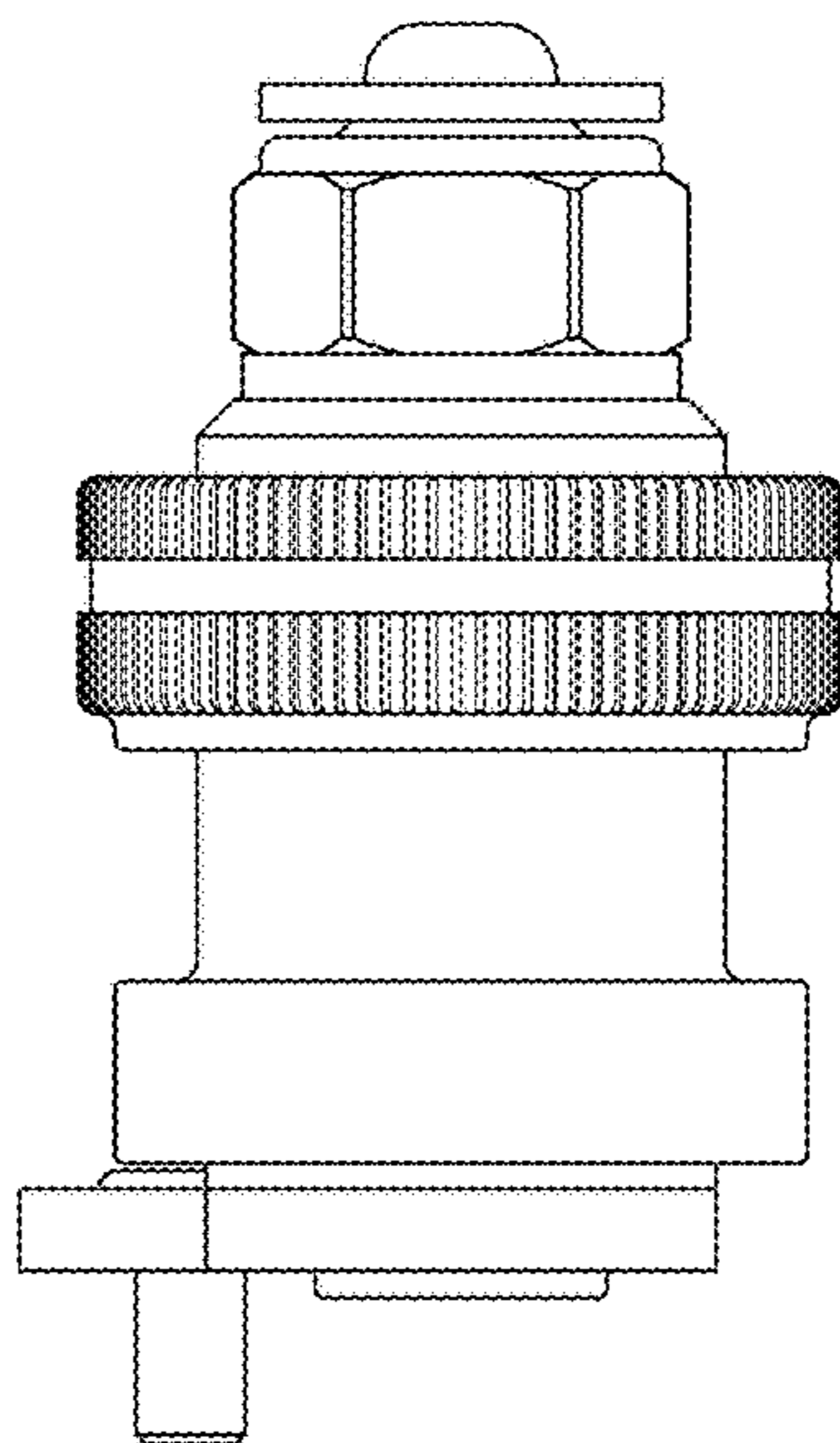


FIG. 6

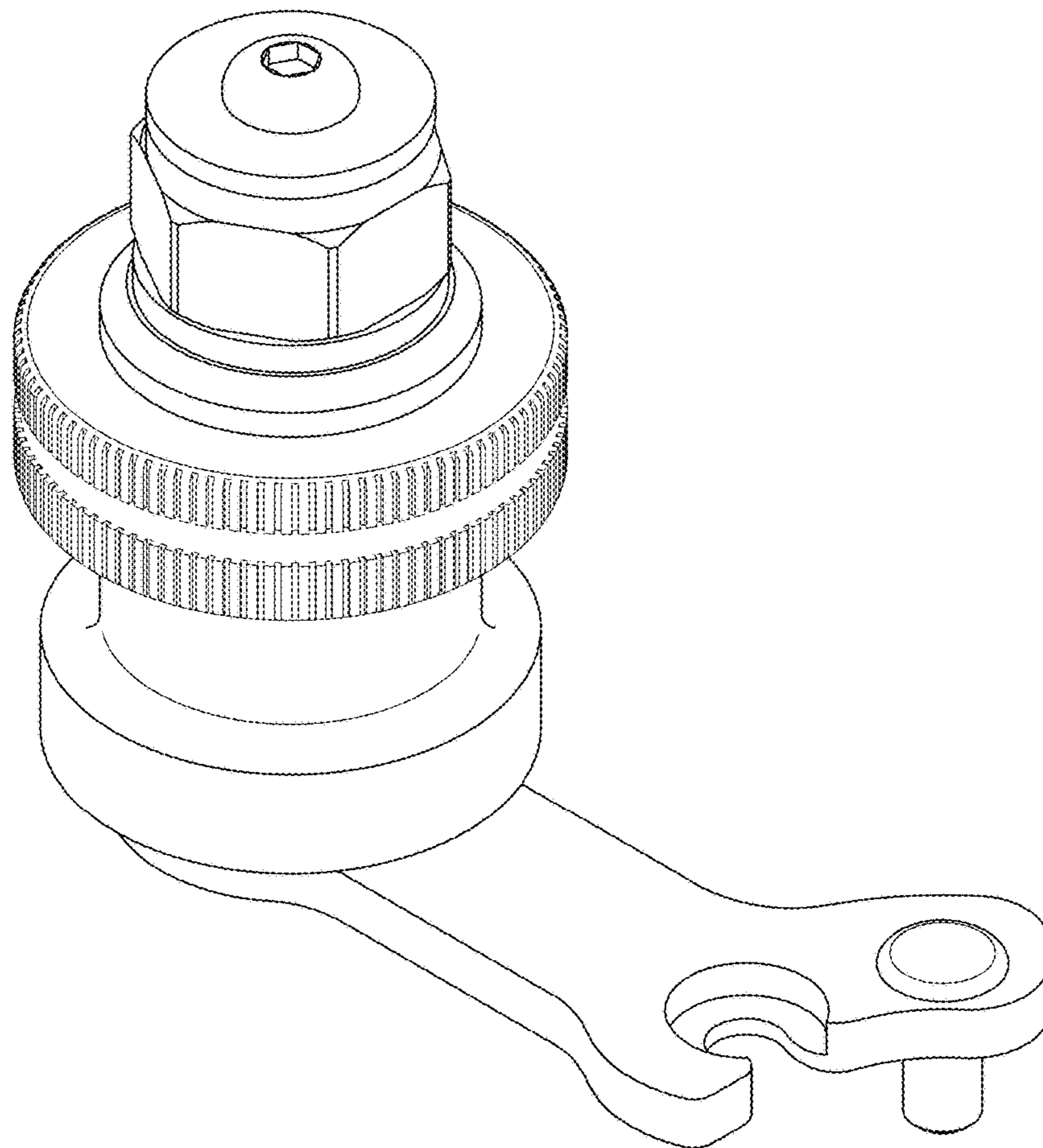


FIG. 7