



US00D856101S

(12) **United States Design Patent**  
**Kitago**

(10) **Patent No.:** **US D856,101 S**

(45) **Date of Patent:** **\*\* Aug. 13, 2019**

(54) **NOSE PIECE FOR A TOOL FOR BINDING BAND**

(71) Applicant: **HellermannTyton Co., Ltd.**, Tokyo OT (JP)

(72) Inventor: **Toru Kitago**, Himeji (JP)

(73) Assignee: **HELLERMANNTYTON CO., LTD.** (JP)

(\*\*) Term: **15 Years**

(21) Appl. No.: **29/640,545**

(22) Filed: **Mar. 15, 2018**

D473,773 S *	4/2003	Hillegonds	.....	D8/68
D491,430 S *	6/2004	Magno, Jr.	.....	D8/44
6,840,289 B2 *	1/2005	Hillegonds	.....	B65B 27/10 140/123.6
D541,626 S *	5/2007	Mechalchuk	.....	D8/330
7,210,506 B2 *	5/2007	Magno, Jr.	.....	B23Q 17/00 140/123.6
7,216,679 B2 *	5/2007	Magno, Jr.	.....	B65B 13/027 140/123.6
D543,811 S *	6/2007	Lueschen	.....	D8/44
7,231,944 B2 *	6/2007	Magno, Jr.	.....	B65B 13/027 140/123.6
7,299,830 B2 *	11/2007	Levin	.....	B65B 13/027 140/123.6
D692,738 S *	11/2013	Dyer	.....	D8/44
D758,155 S *	6/2016	Kruzel	.....	D8/44
2013/0167970 A1 *	7/2013	Dyer	.....	B26D 7/08 140/123.6

**Related U.S. Application Data**

(62) Division of application No. 29/566,616, filed on Jun. 1, 2016, now Pat. No. Des. 818,787.

(51) **LOC (12) Cl.** ..... **08-05**

(52) **U.S. Cl.**  
USPC ..... **D8/44; D8/51**

(58) **Field of Classification Search**  
USPC ..... D8/44, 51, 68  
CPC ..... B21F 9/02; B25B 25/005; B65B 13/027;  
B65B 13/22; B65B 13/345  
See application file for complete search history.

**References Cited**

**U.S. PATENT DOCUMENTS**

4,793,385 A *	12/1988	Dyer	.....	B65B 13/027 140/123.6
D306,390 S *	3/1990	Dyer	.....	D8/44
5,492,156 A *	2/1996	Dyer	.....	B21F 9/02 140/123.6
5,915,425 A *	6/1999	Nilsson	.....	B65B 13/027 140/123.6
6,206,053 B1 *	3/2001	Hillegonds	.....	B65B 13/027 140/123.6

\* cited by examiner

*Primary Examiner* — Philip S Hyder

*Assistant Examiner* — Roselynn Cody

(74) *Attorney, Agent, or Firm* — Robert J. Myers

(57) **CLAIM**

I claim an ornamental design for a nose piece for a tool for binding band, as shown and described.

**DESCRIPTION**

FIG. 1 is a perspective view of a nose piece for a tool for binding band, embodying my new design;  
FIG. 2 is an alternative perspective view thereof;  
FIG. 3 is a left elevation view thereof;  
FIG. 4 is a right elevation view thereof;  
FIG. 5 is a front elevation view thereof;  
FIG. 6 is a rear elevation view thereof;  
FIG. 7 is a top plan view thereof; and,  
FIG. 8 is a bottom plan view thereof.  
The broken lines portions of the tool for binding band form no part of the claimed design.

**1 Claim, 3 Drawing Sheets**

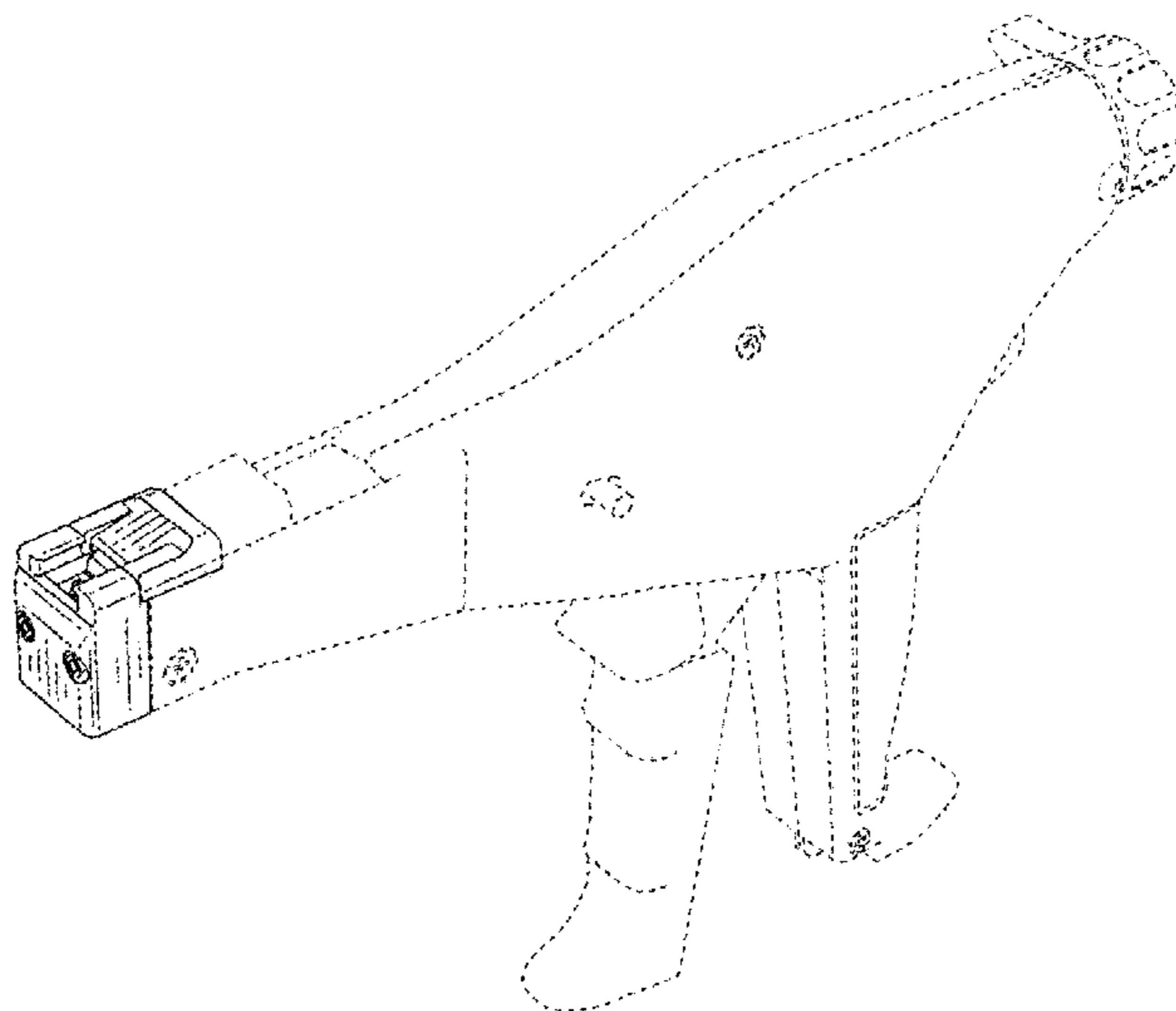


Fig. 1

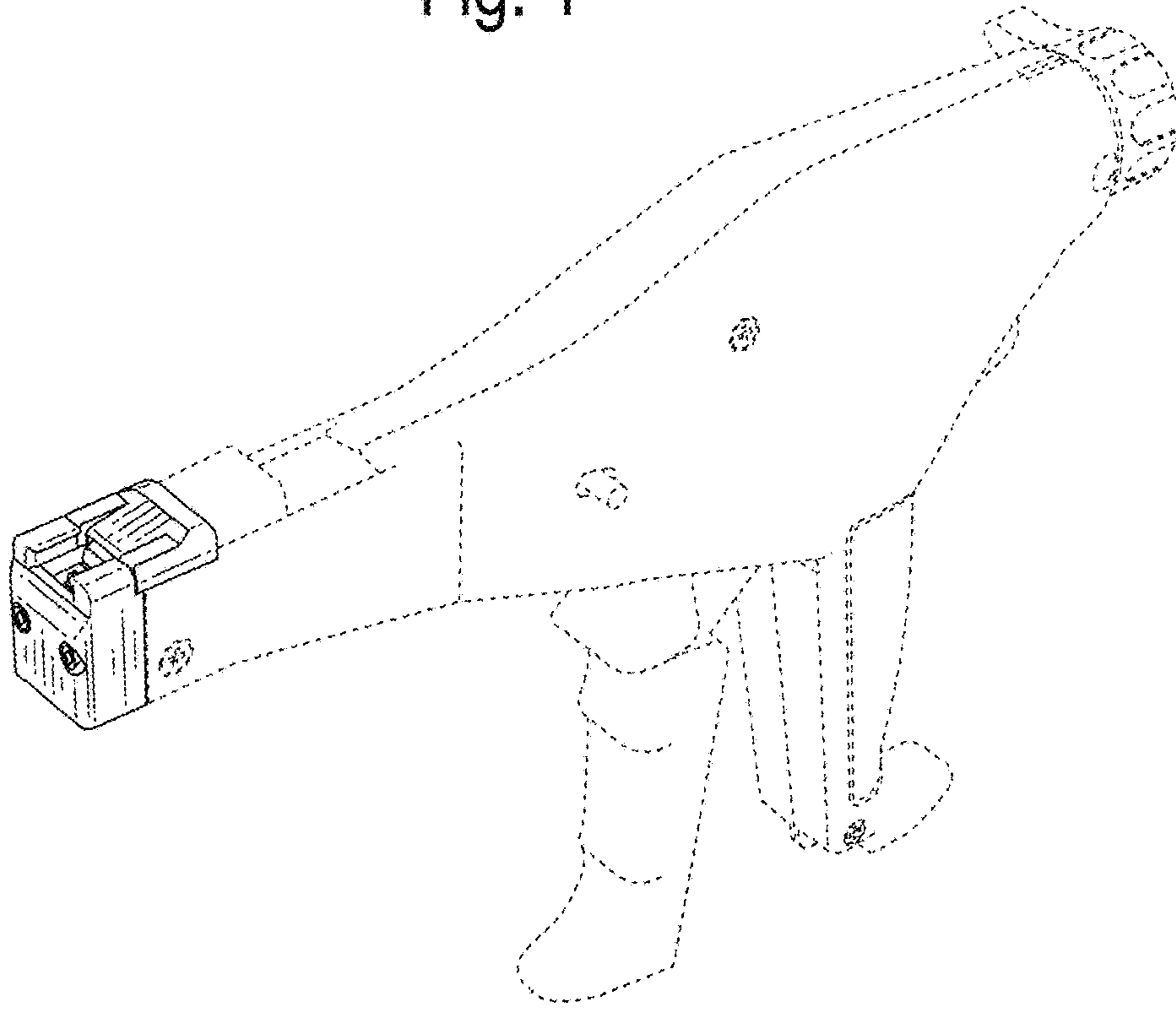


Fig. 2

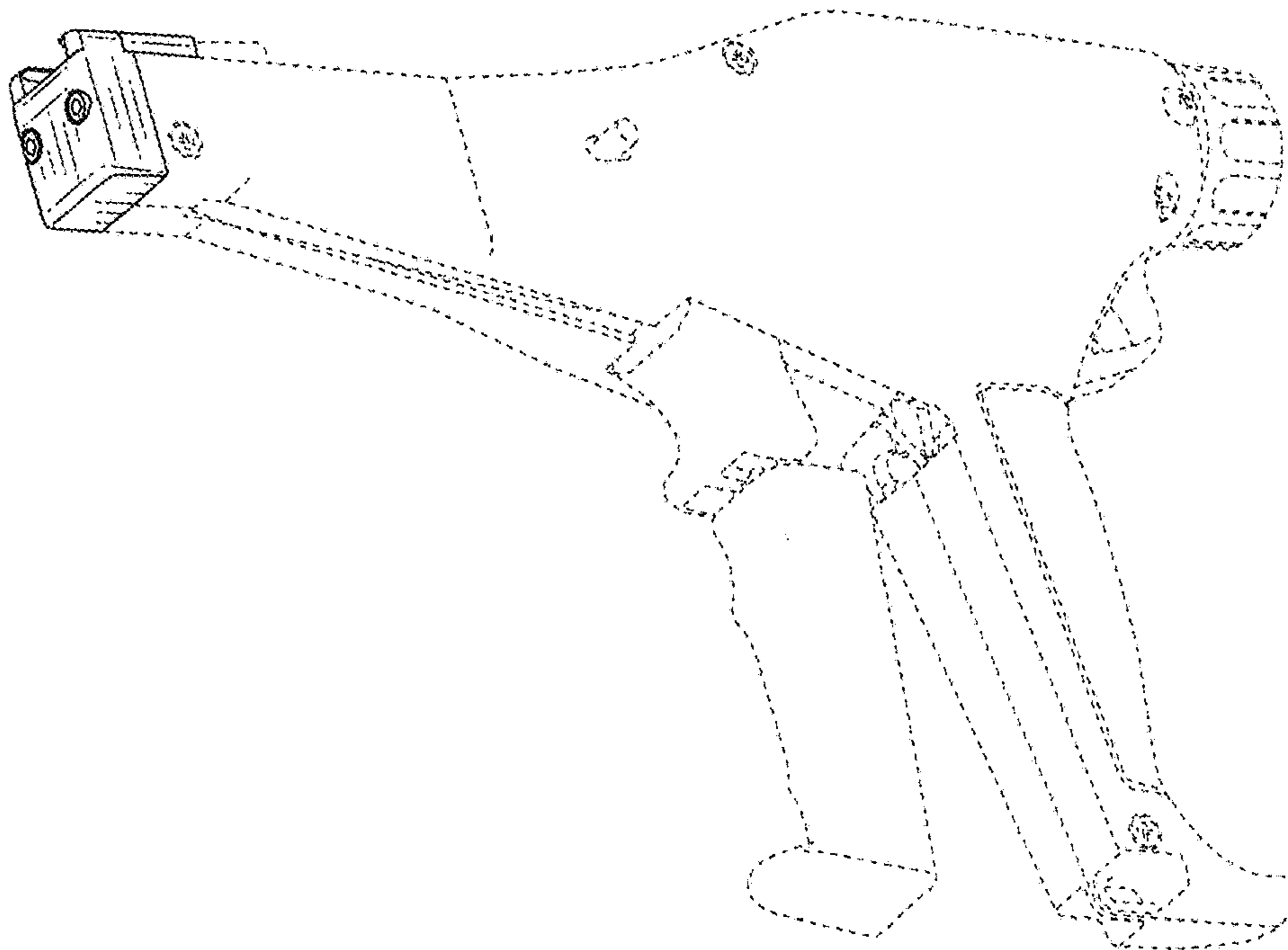


Fig. 3

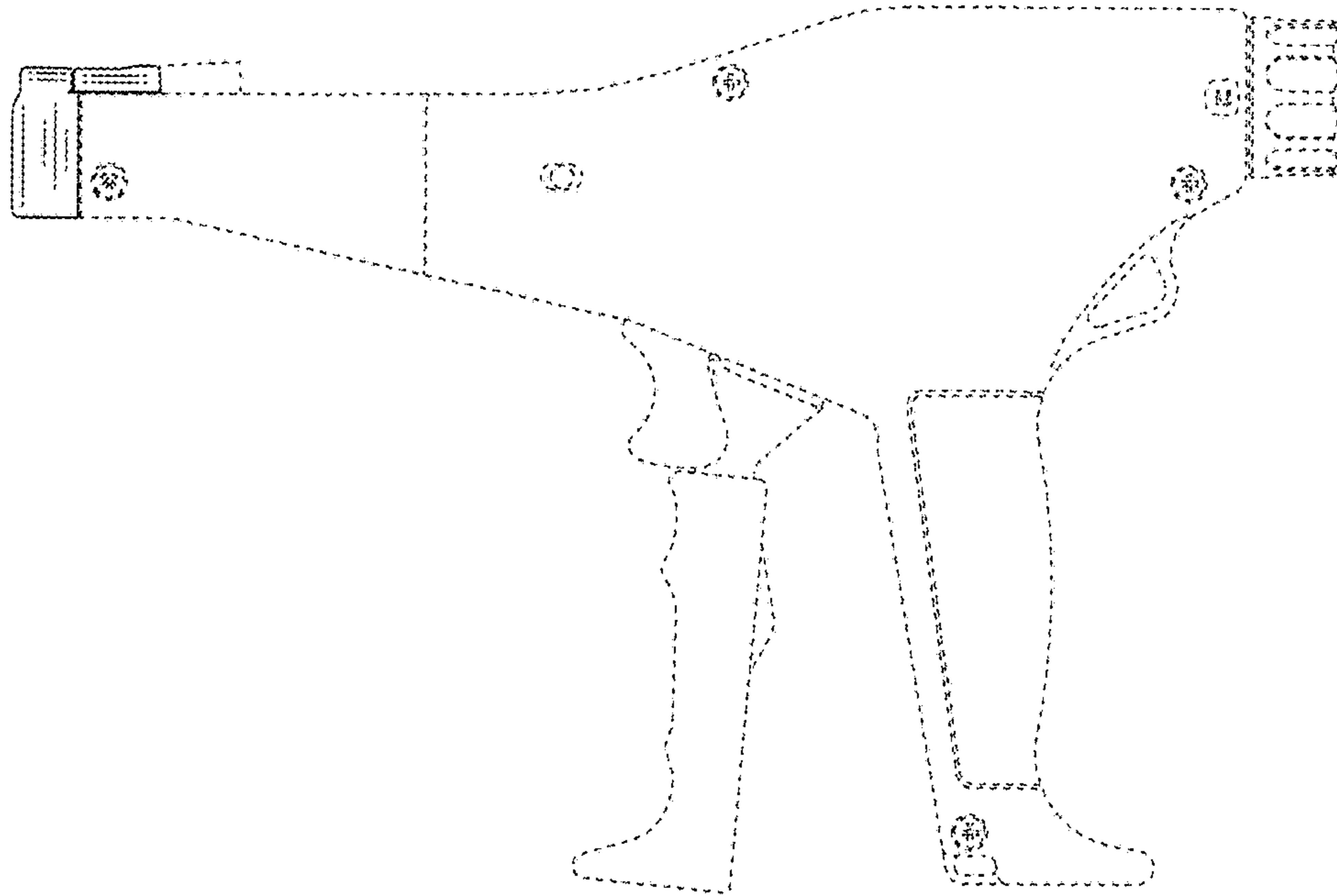


Fig. 4

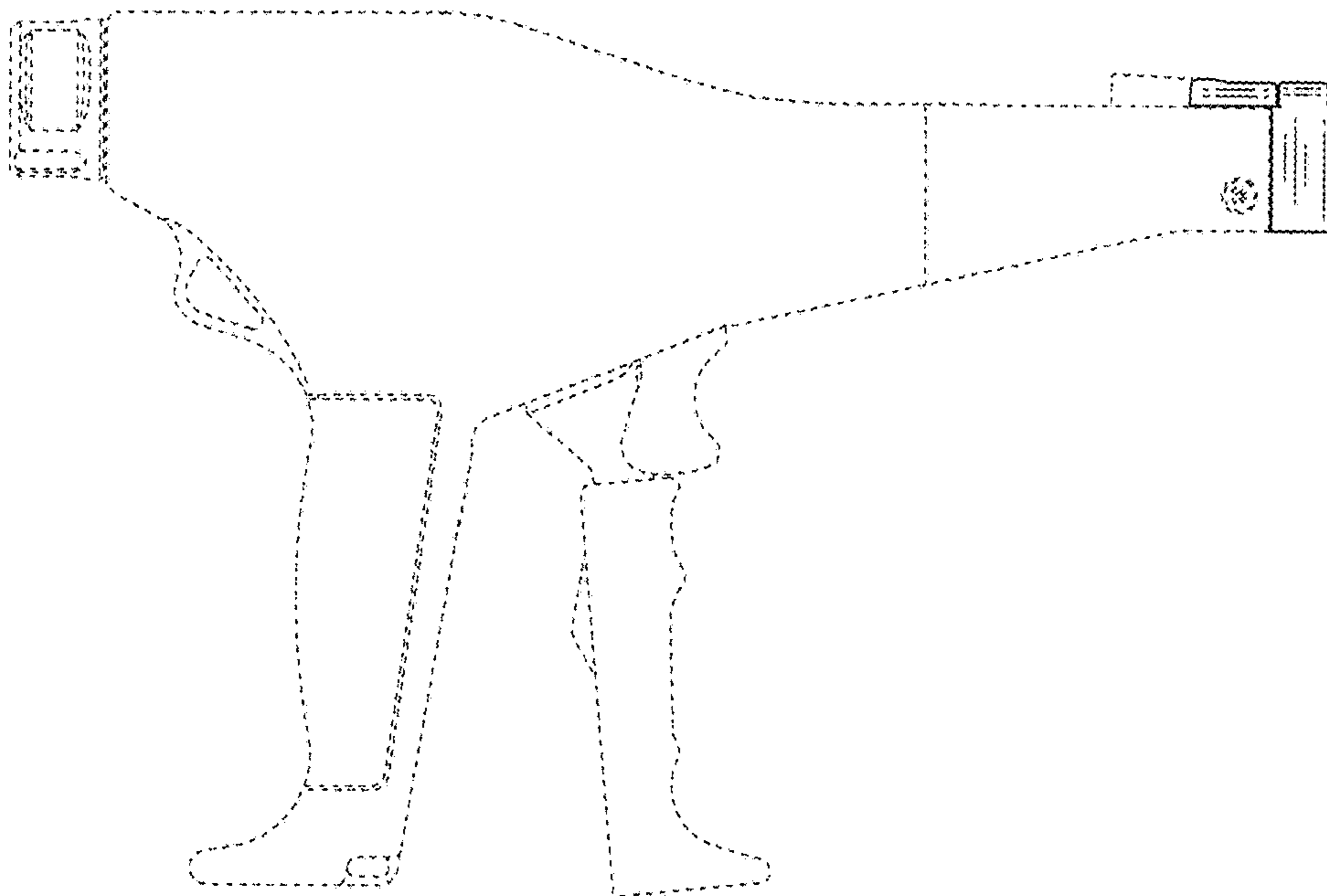


Fig. 5

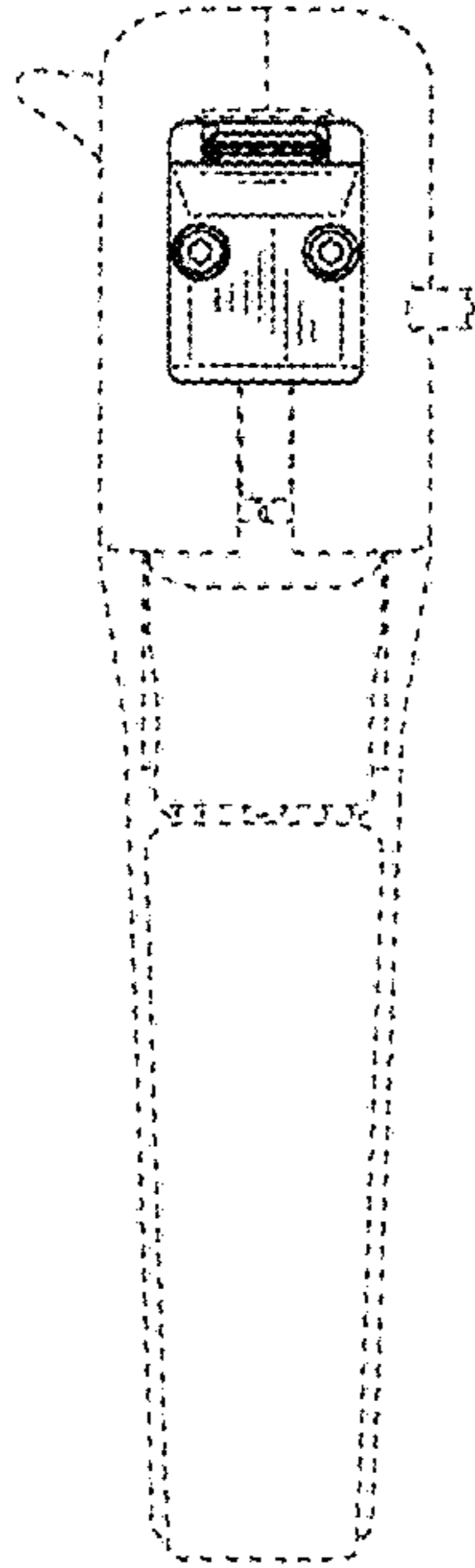


Fig. 6

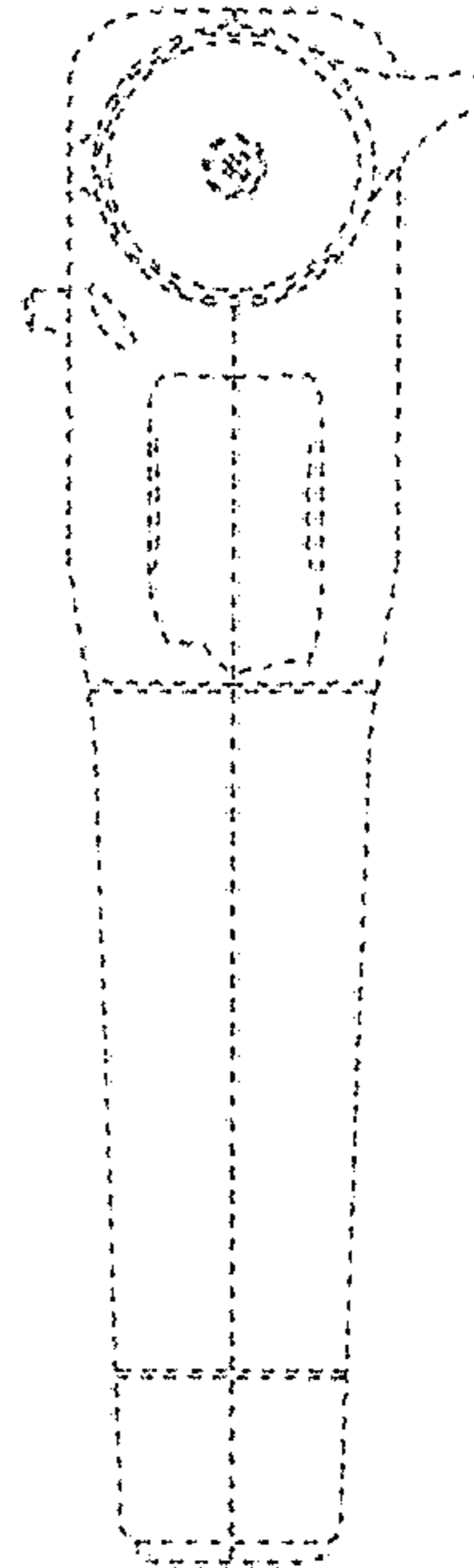


Fig. 7

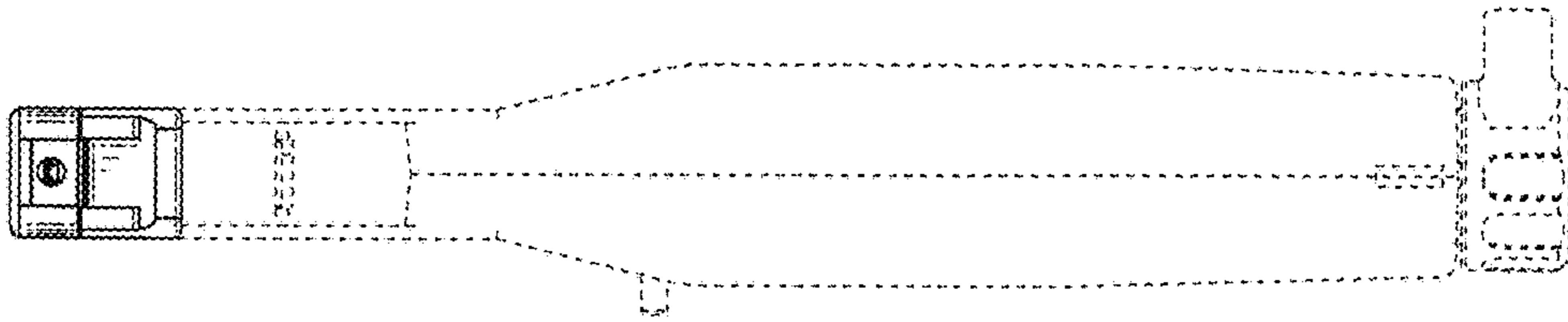


Fig. 8

