

US00D856100S

(12) **United States Design Patent** (10) **Patent No.:** **US D856,100 S**
Green (45) **Date of Patent:** **** *Aug. 13, 2019**

(54) **LAG SOCKET** 5,957,012 A * 9/1999 McCune B25B 13/56
81/180.1
(71) Applicant: **Jabari Green**, Columbia, SC (US) D596,003 S * 7/2009 Collier D8/29
9,314,906 B2 * 4/2016 Nelson B25B 13/06
(72) Inventor: **Jabari Green**, Columbia, SC (US)
(*) Notice: This patent is subject to a terminal disclaimer.
(**) Term: **15 Years** * cited by examiner

Primary Examiner — Randall H Gholson
(74) *Attorney, Agent, or Firm* — Southeast IP Group, LLC.; Thomas L. Moses

(21) Appl. No.: **29/630,270**
(22) Filed: **Dec. 20, 2017**
(51) **LOC (12) Cl.** **08-05**
(52) **U.S. Cl.**
USPC **D8/29**
(58) **Field of Classification Search**
USPC D8/29; 81/60, 177.1, 177.85, 121.1,
81/124.3, 165-170, 110.1, 176.2, 124.6,
81/176.1, 176.15, 177.2, 186; 16/110.1
CPC B25B 13/06; B25B 13/065
See application file for complete search history.

(57) **CLAIM**

The ornamental design for a lag socket, as shown and described.

DESCRIPTION

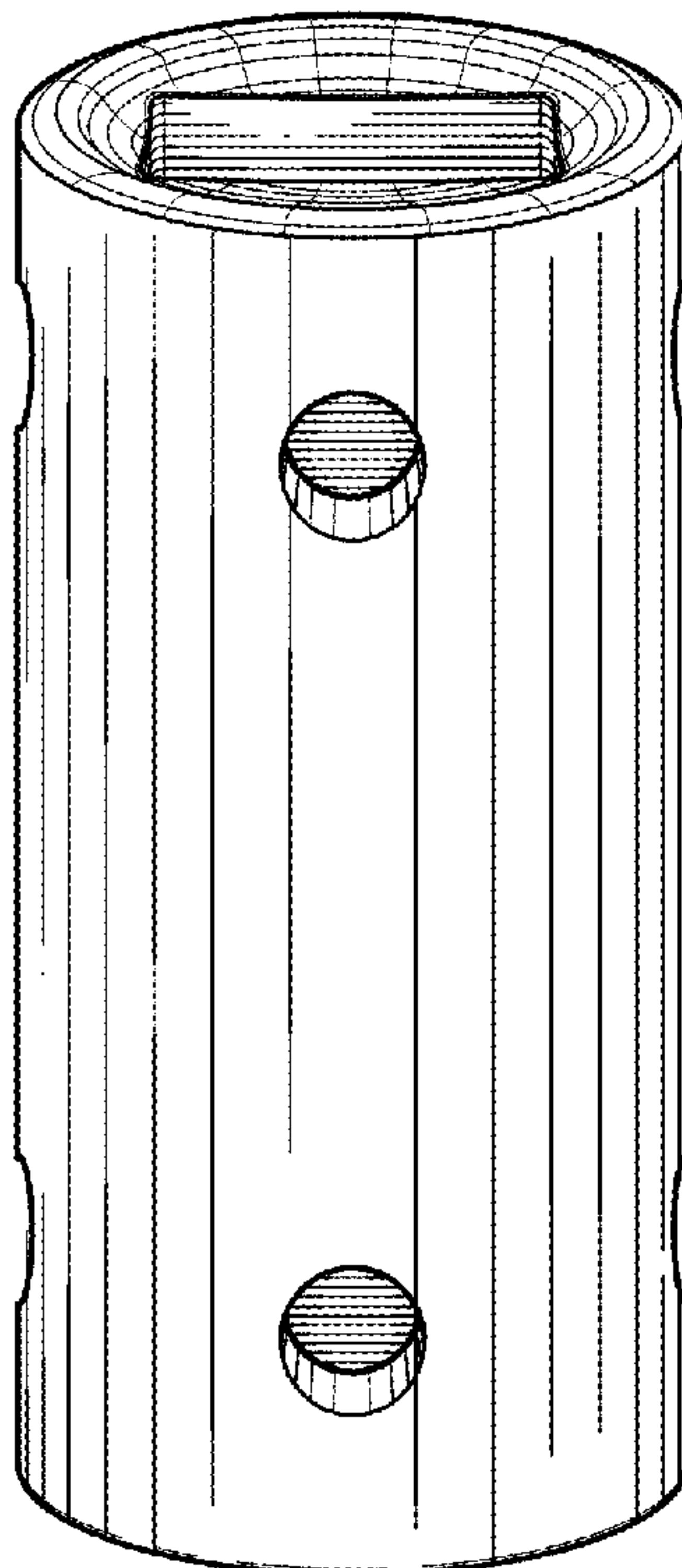
FIG. 1 is a front top perspective view of my design for a lag socket;
FIG. 2 is a front bottom perspective view thereof;
FIG. 3 is a front view thereof;
FIG. 4 is a rear view thereof;
FIG. 5 is a left view thereof;
FIG. 6 is a right view thereof;
FIG. 7 is a top view thereof; and,
FIG. 8 is a bottom view thereof.

(56) **References Cited**

U.S. PATENT DOCUMENTS

5,509,333 A * 4/1996 Rion B25B 13/461
81/177.85
5,690,006 A * 11/1997 Pulliam B25B 23/0021
403/326

1 Claim, 3 Drawing Sheets



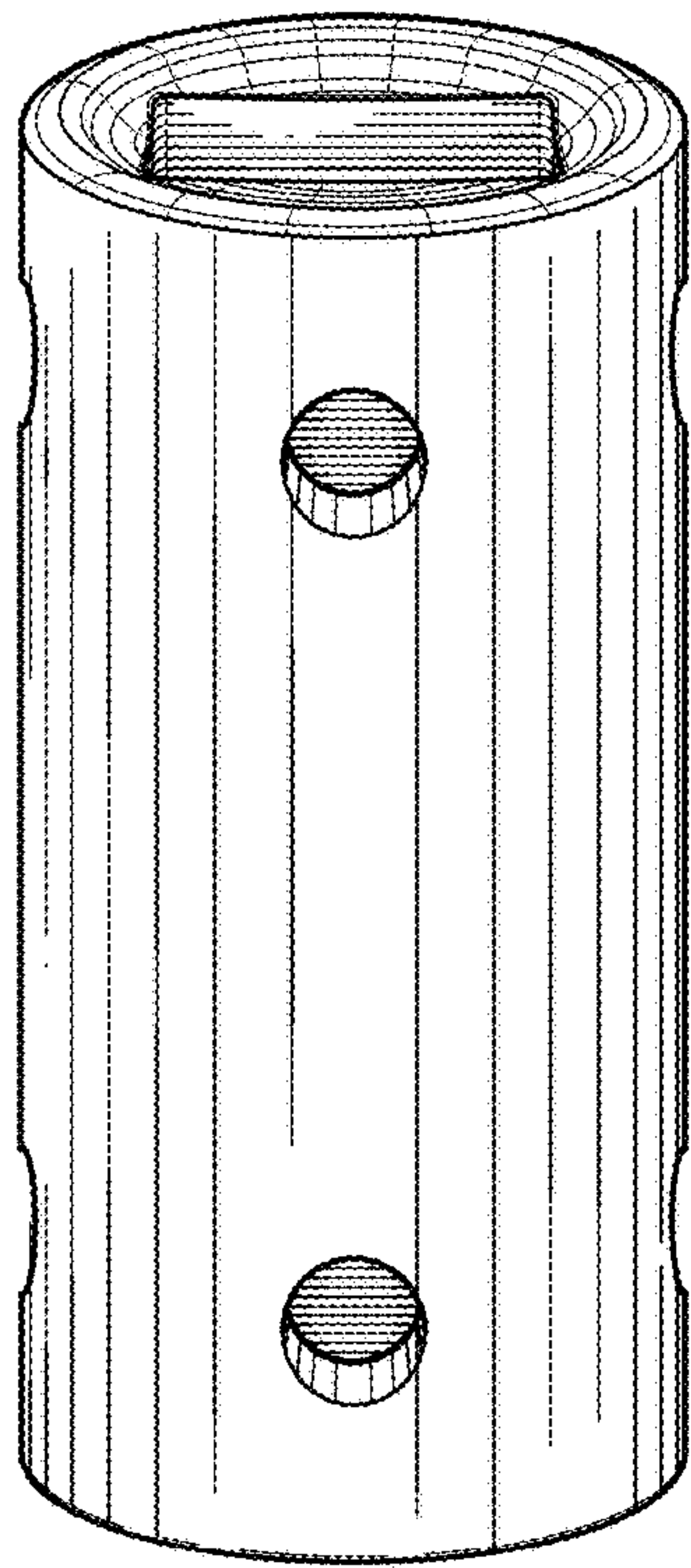


Fig. 1

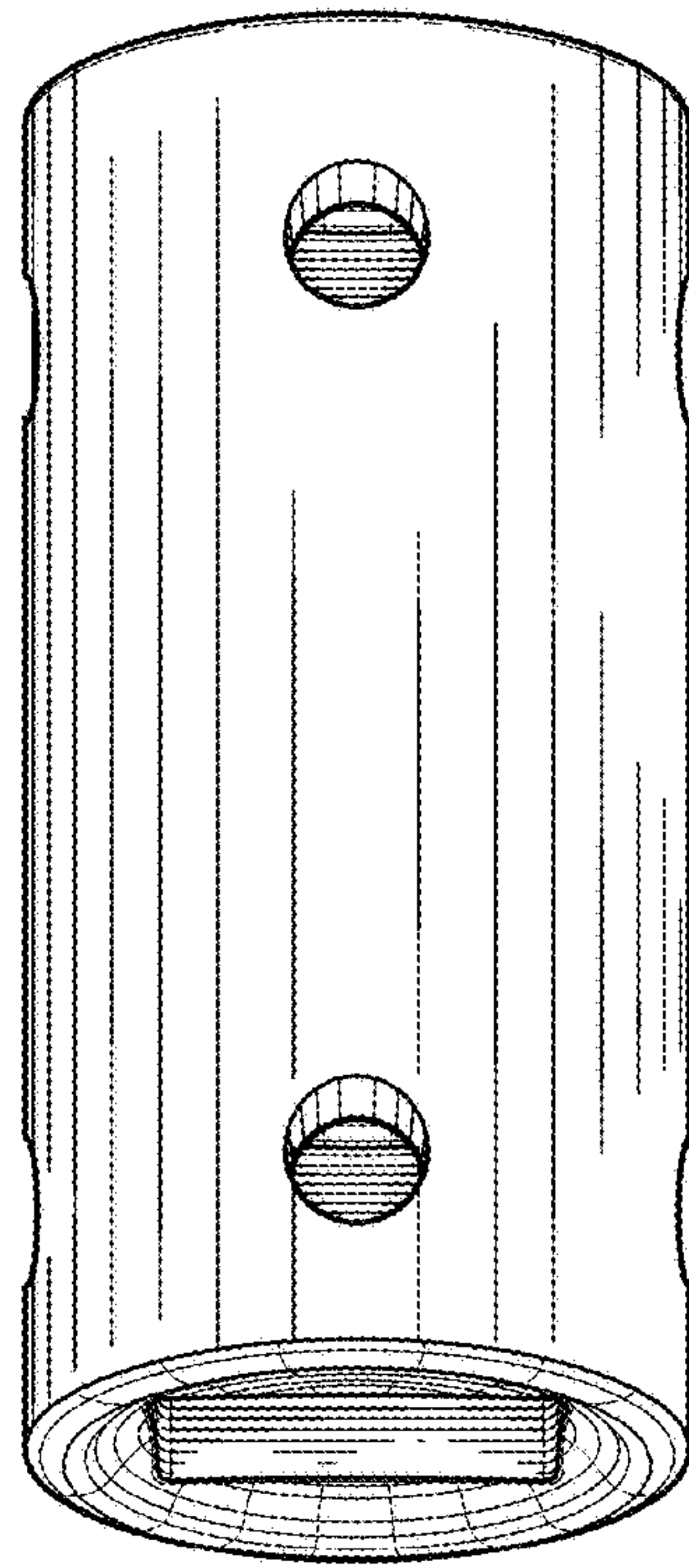


Fig. 2

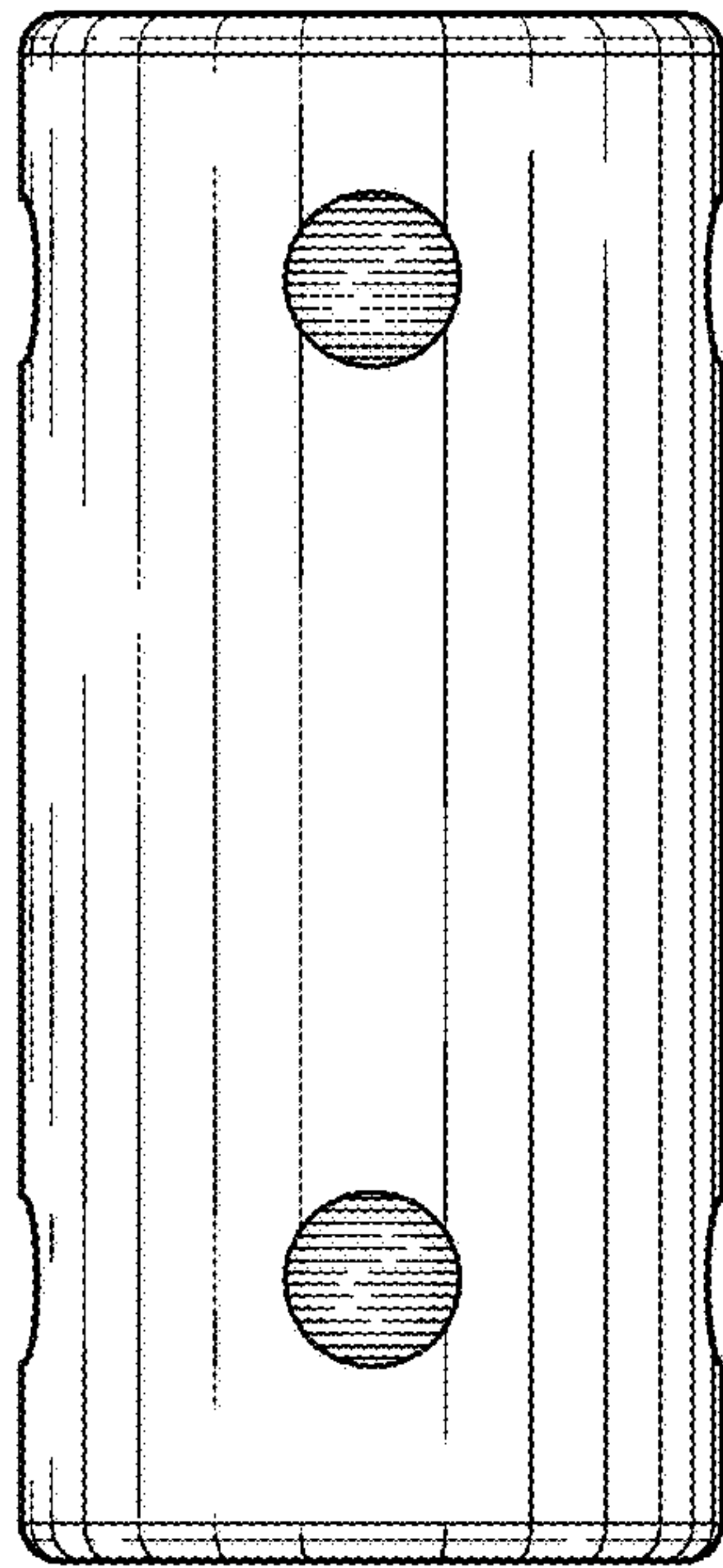


Fig. 3

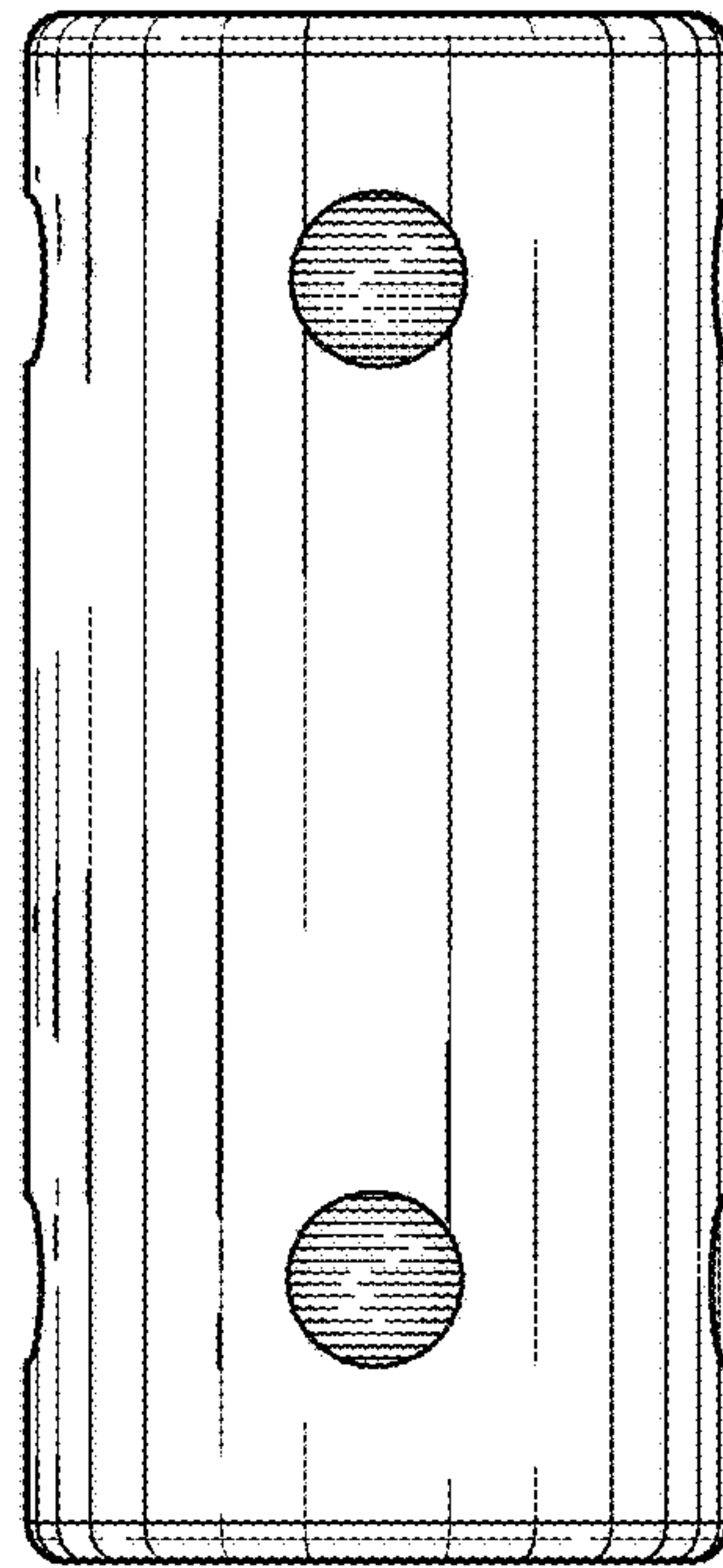


Fig. 4

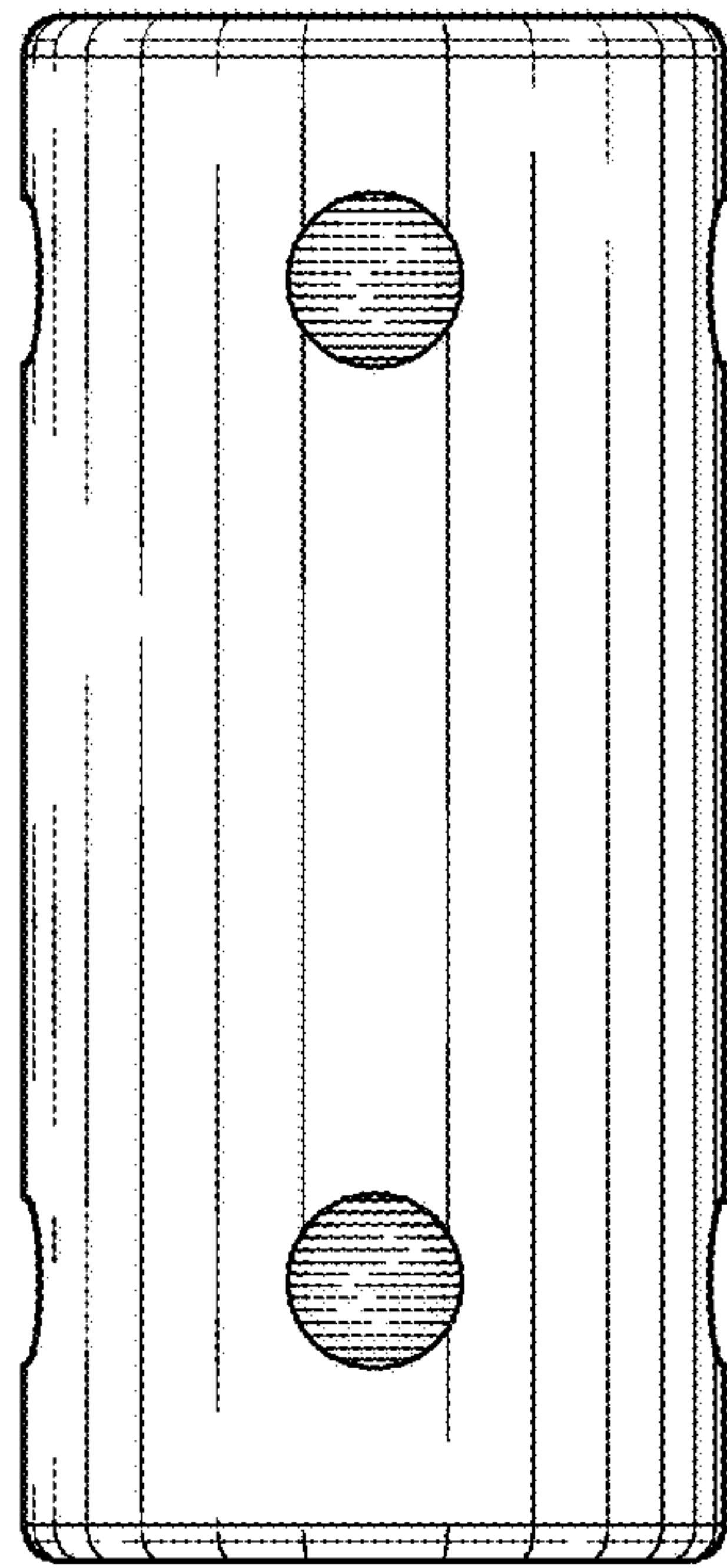


Fig. 5

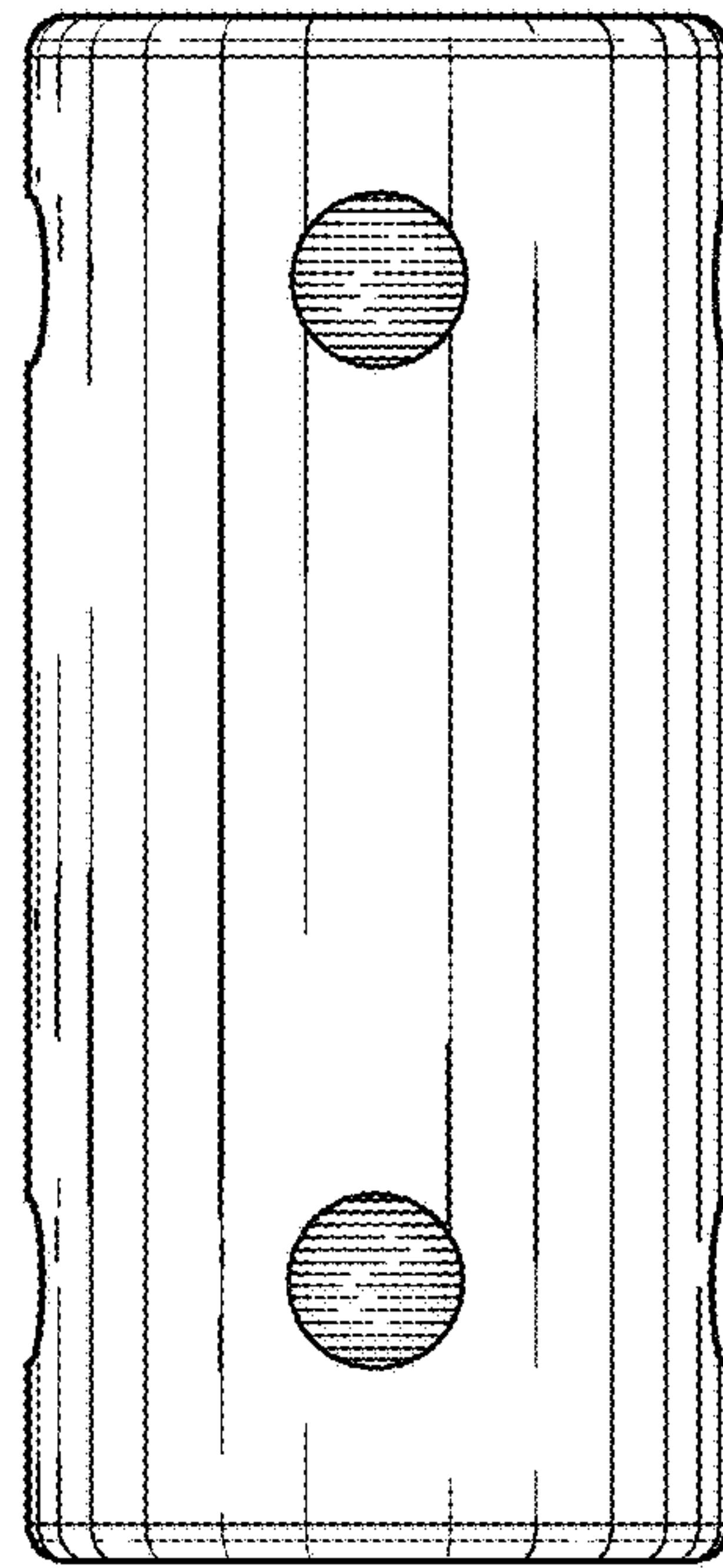


Fig. 6

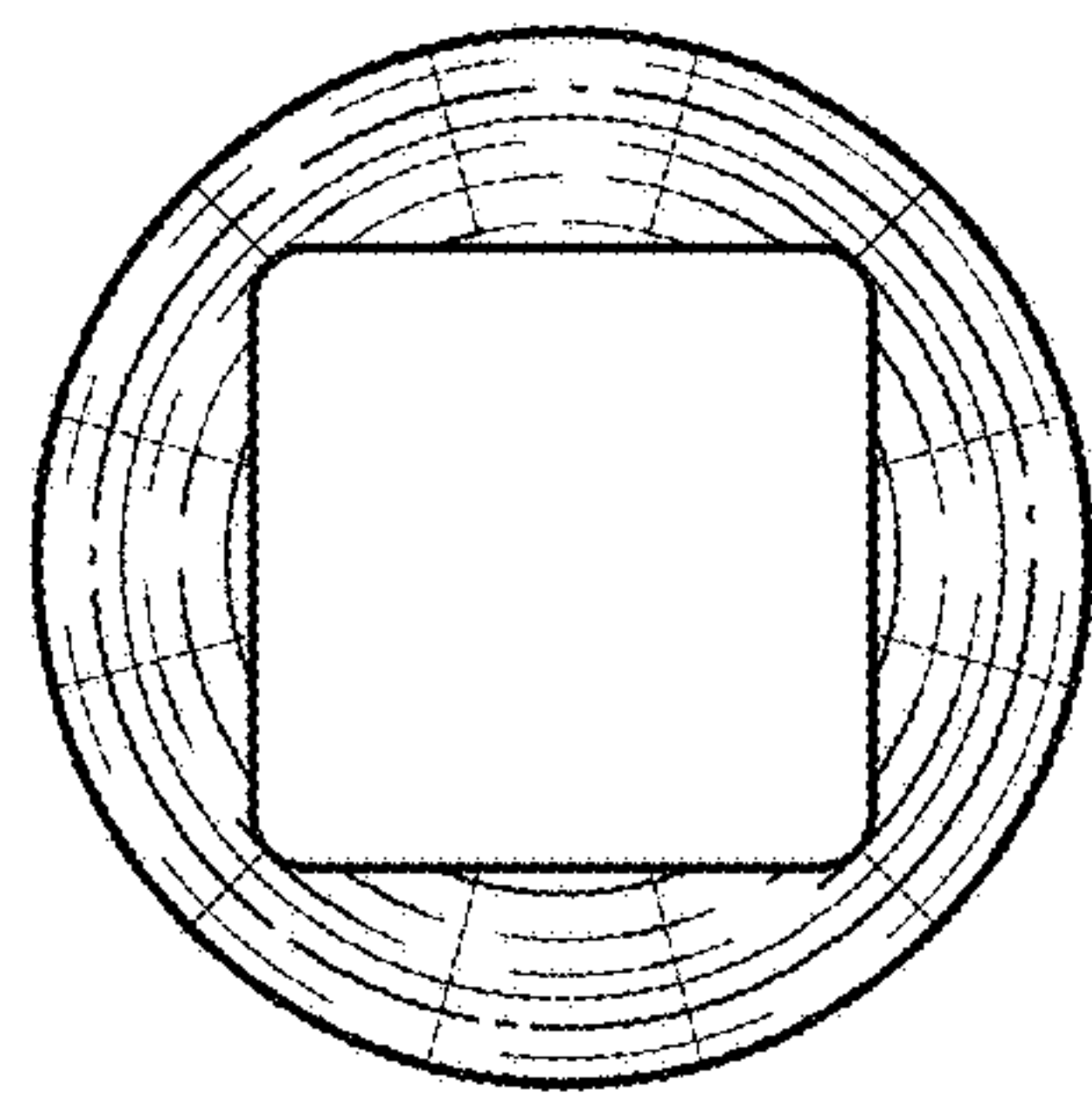


Fig. 7

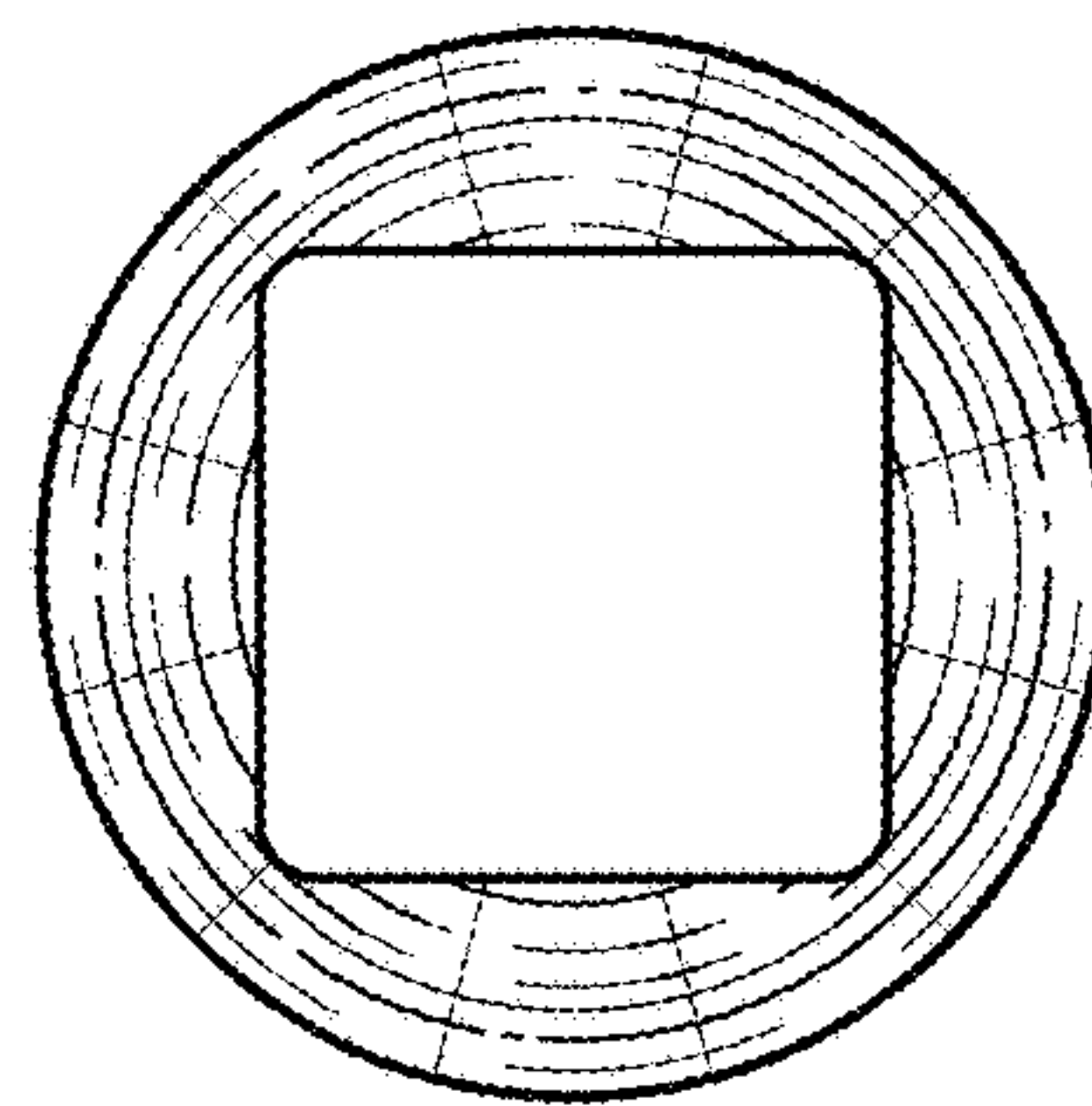


Fig. 8