



US00D856099S

(12) **United States Design Patent**  
**Huang**

(10) **Patent No.:** **US D856,099 S**

(45) **Date of Patent:** **\*\* Aug. 13, 2019**

(54) **LUNCH BAG**

(71) Applicant: **Wei Huang**, Guangdong (CN)

(72) Inventor: **Wei Huang**, Guangdong (CN)

(\*\*) Term: **15 Years**

(21) Appl. No.: **29/640,489**

(22) Filed: **Mar. 14, 2018**

(51) **LOC (12) Cl.** ..... **07-07**

(52) **U.S. Cl.**

USPC ..... **D7/709**; D7/607; D3/232

(58) **Field of Classification Search**

USPC ..... D7/603-608, 709, 710; D3/246, 232,

D3/233, 235, 239, 244, 245

CPC ..... A45C 11/20; A45C 1/00; A45C 2003/007;

A45C 5/03; A45C 7/00; A45C 9/00;

A45C 13/008; F25D 2331/804; F25D

3/08; B65D 30/08; B65D 81/3858; B65D

81/3823; B65D 81/3888; B65D 81/18;

B65D 8/18; B65D 31/04

See application file for complete search history.

(56) **References Cited**

**U.S. PATENT DOCUMENTS**

D404,620 S \* 1/1999 Rausch ..... D7/607

D414,083 S \* 9/1999 Hamilton ..... D7/607

D509,059 S \* 9/2005 Hayes ..... D3/246

D535,859 S \* 1/2007 Lown ..... D7/709

D586,555 S \* 2/2009 Lown ..... D3/246

D592,912 S \* 5/2009 Lown ..... D3/232

D610,885 S \* 3/2010 Lown ..... D7/709

D626,798 S \* 11/2010 Swartz ..... D3/246

\* cited by examiner

*Primary Examiner* — Terry A Wallace

(57) **CLAIM**

The ornamental design for a lunch bag, as shown and described.

**DESCRIPTION**

FIG. 1 is a front elevational view of a lunch bag showing my new design;

FIG. 2 is a rear elevational view thereof;

FIG. 3 is a left side view thereof;

FIG. 4 is a right side view thereof;

FIG. 5 is a top plan view thereof;

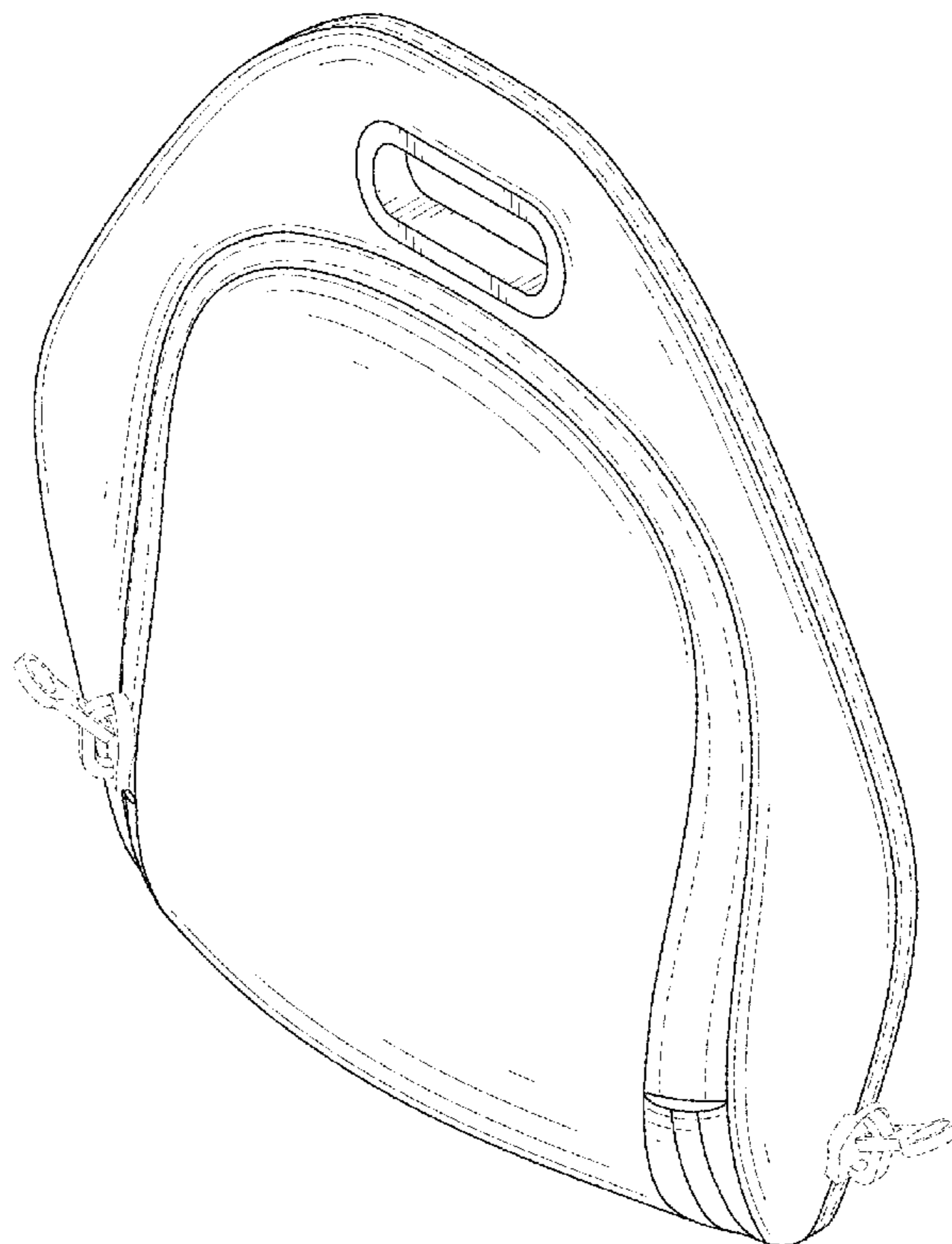
FIG. 6 is a bottom plan view thereof;

FIG. 7 is a top, front and right side perspective view thereof; and,

FIG. 8 is a top, rear and left side perspective view thereof.

The broken lines in the drawings illustrate portions of the lunch bag which form no part of the claimed design.

**1 Claim, 8 Drawing Sheets**



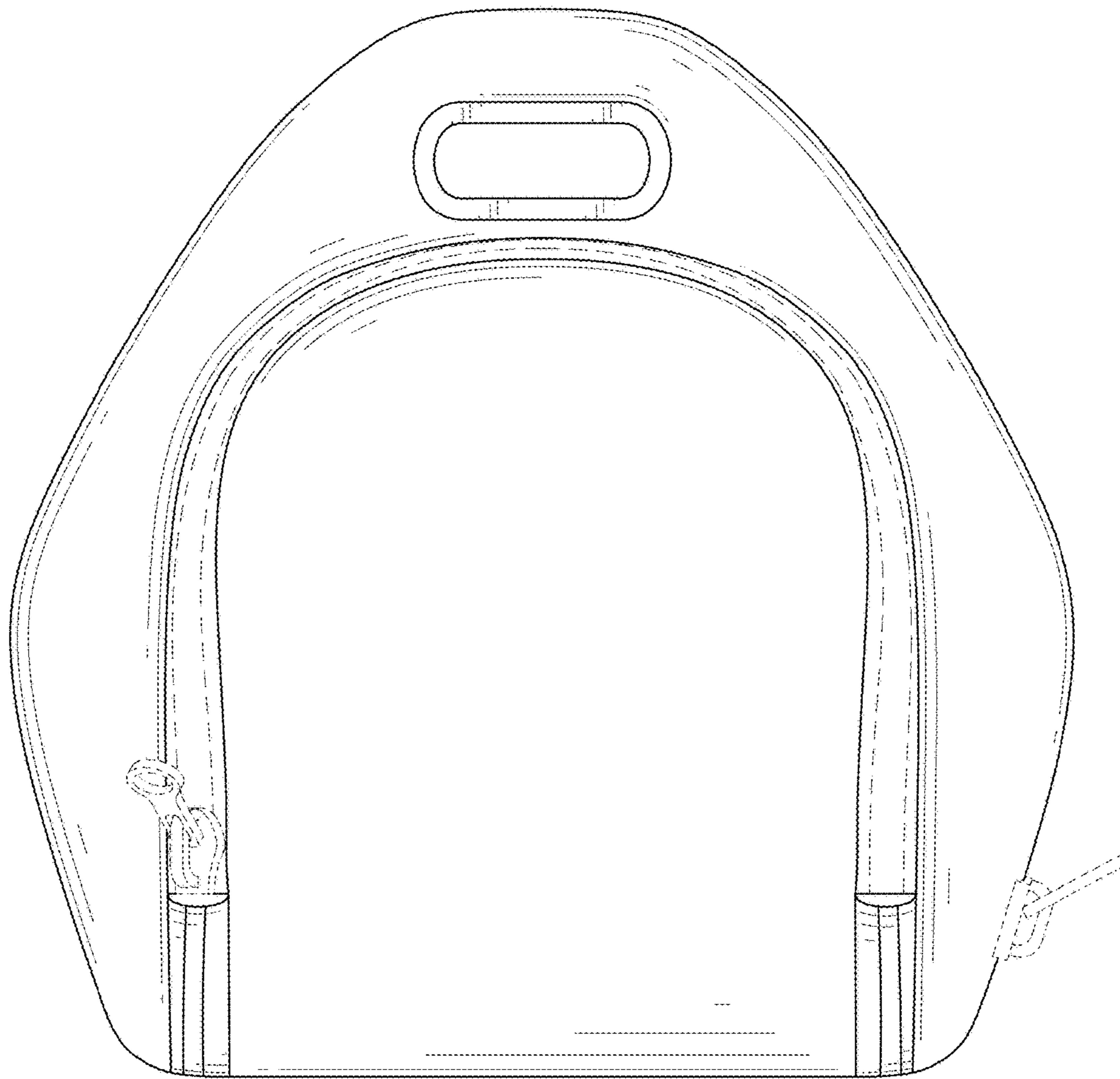


FIG. 1



FIG. 2

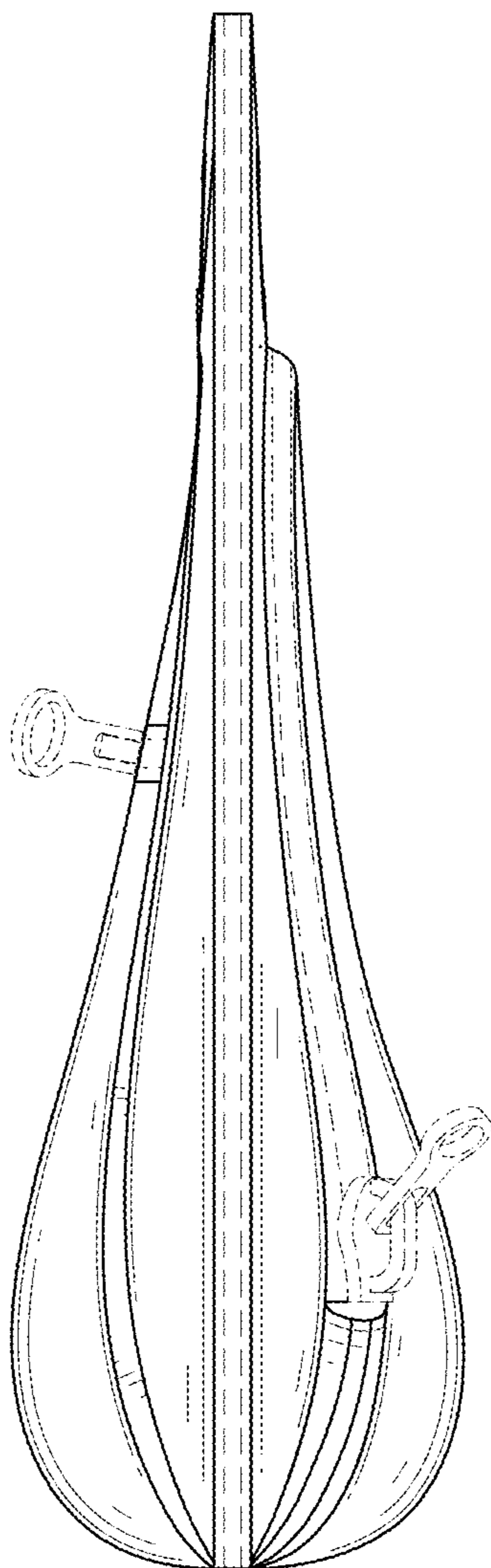


FIG. 3

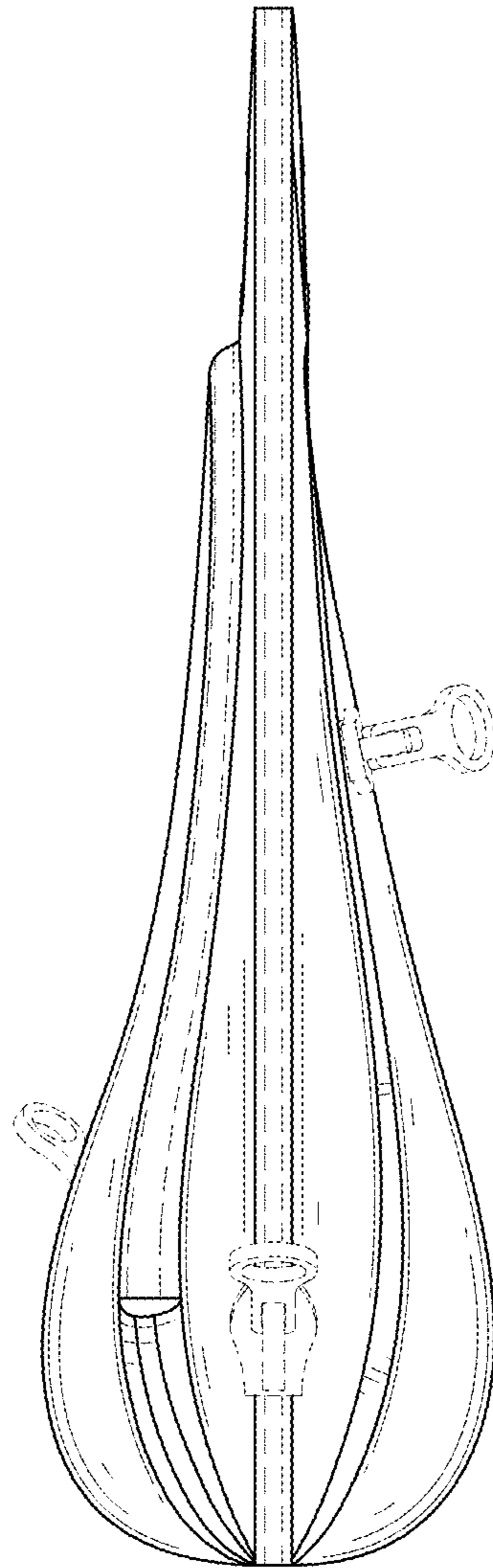


FIG. 4

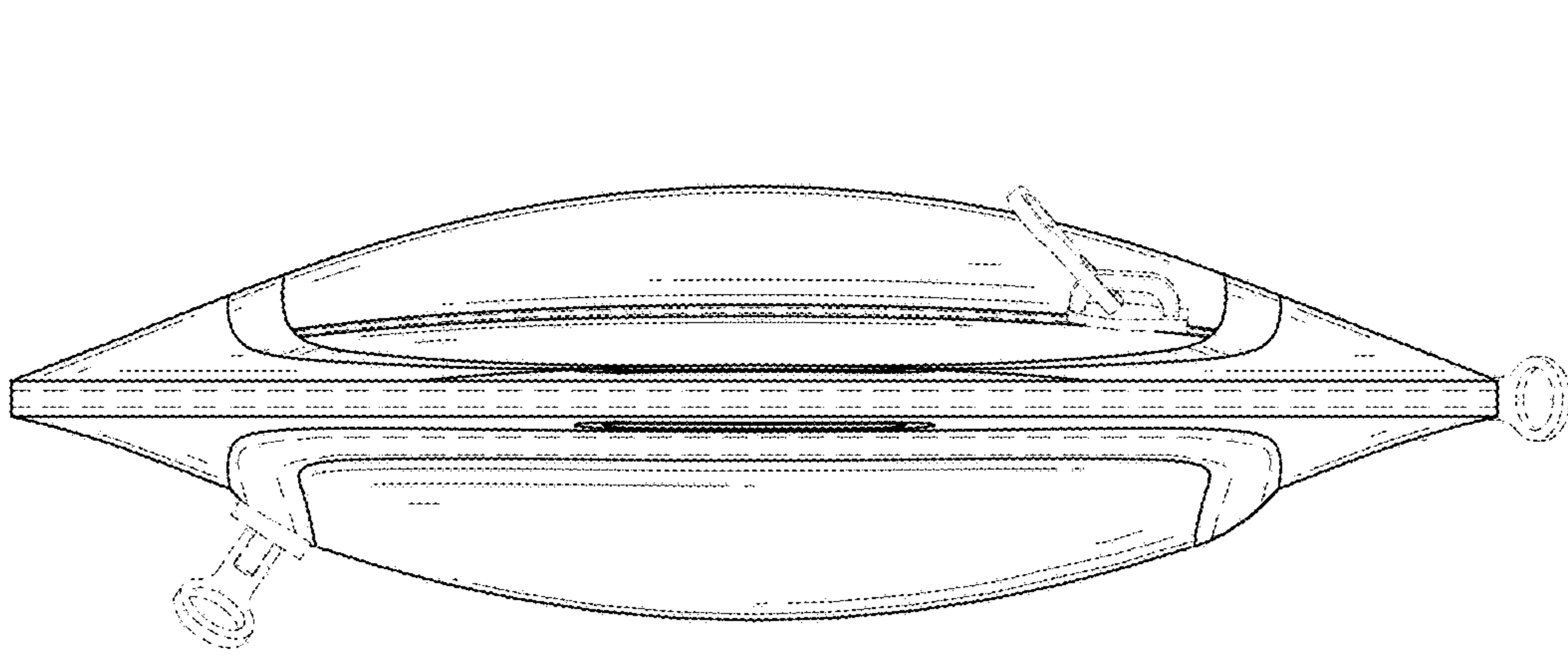


FIG. 5

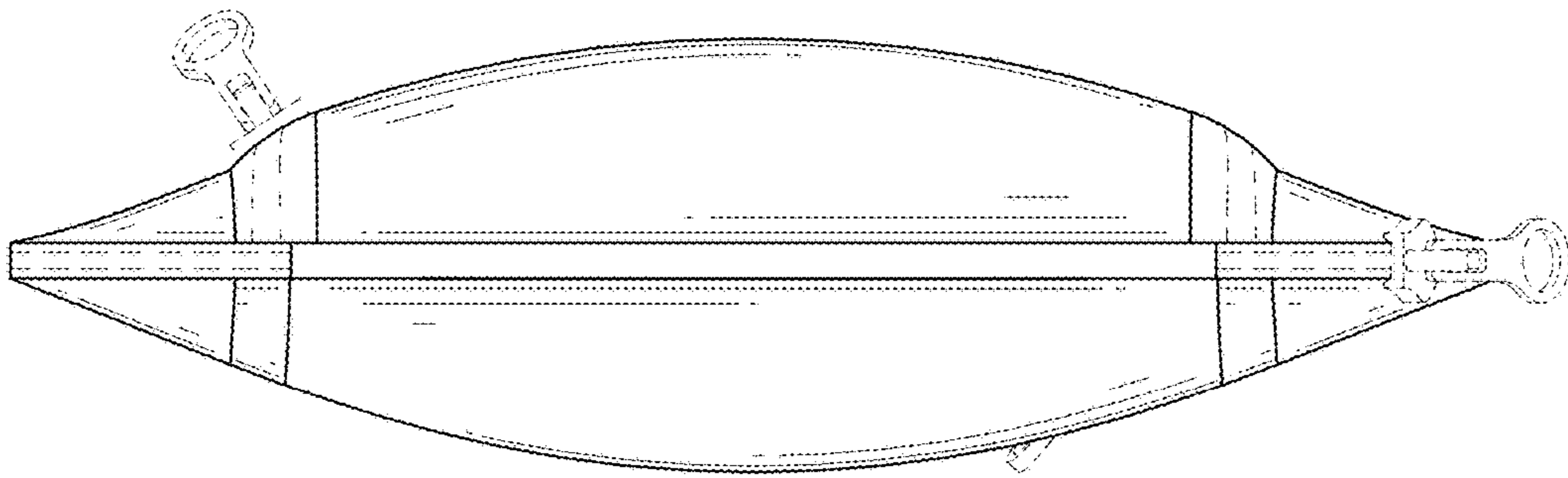


FIG. 6

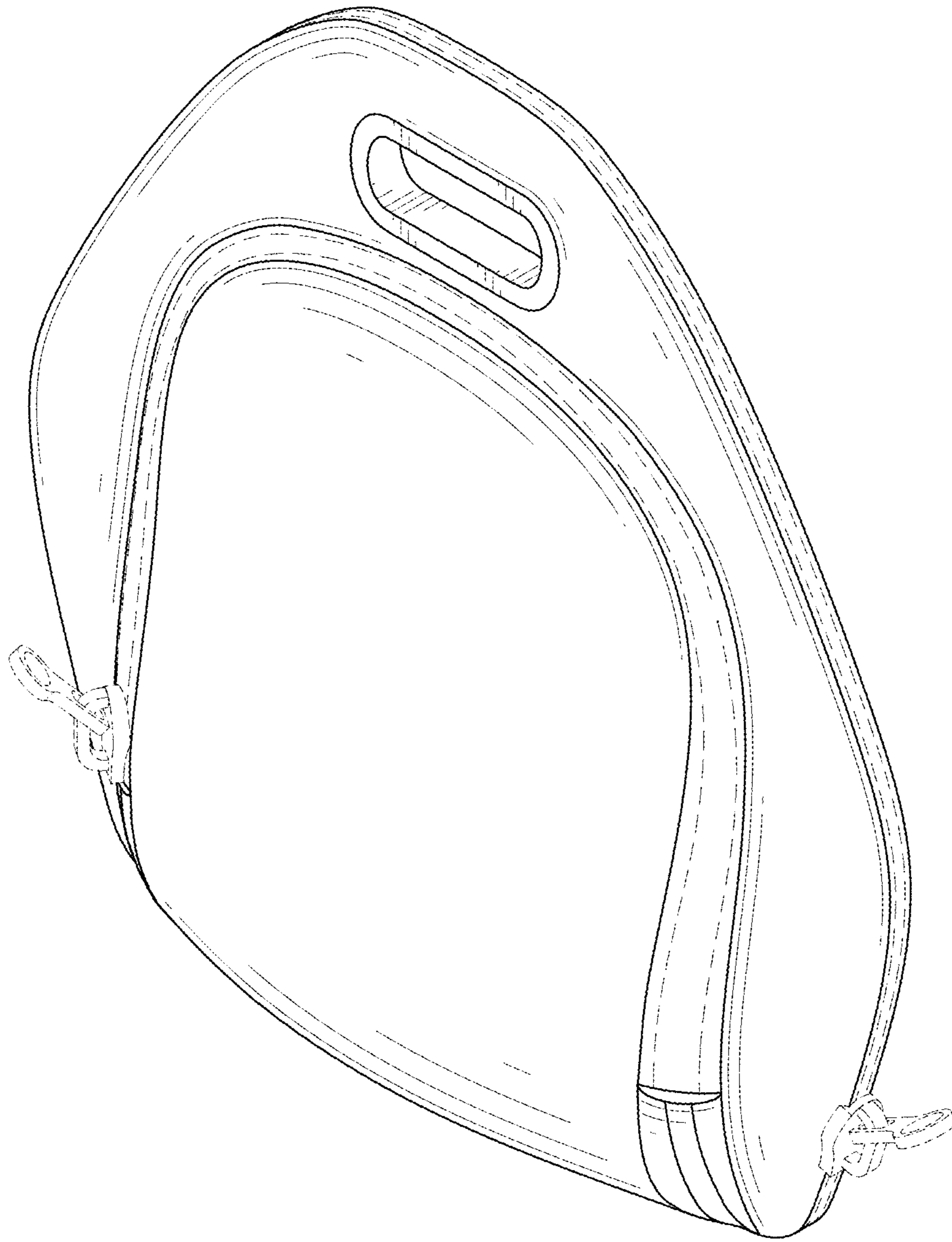


FIG. 7



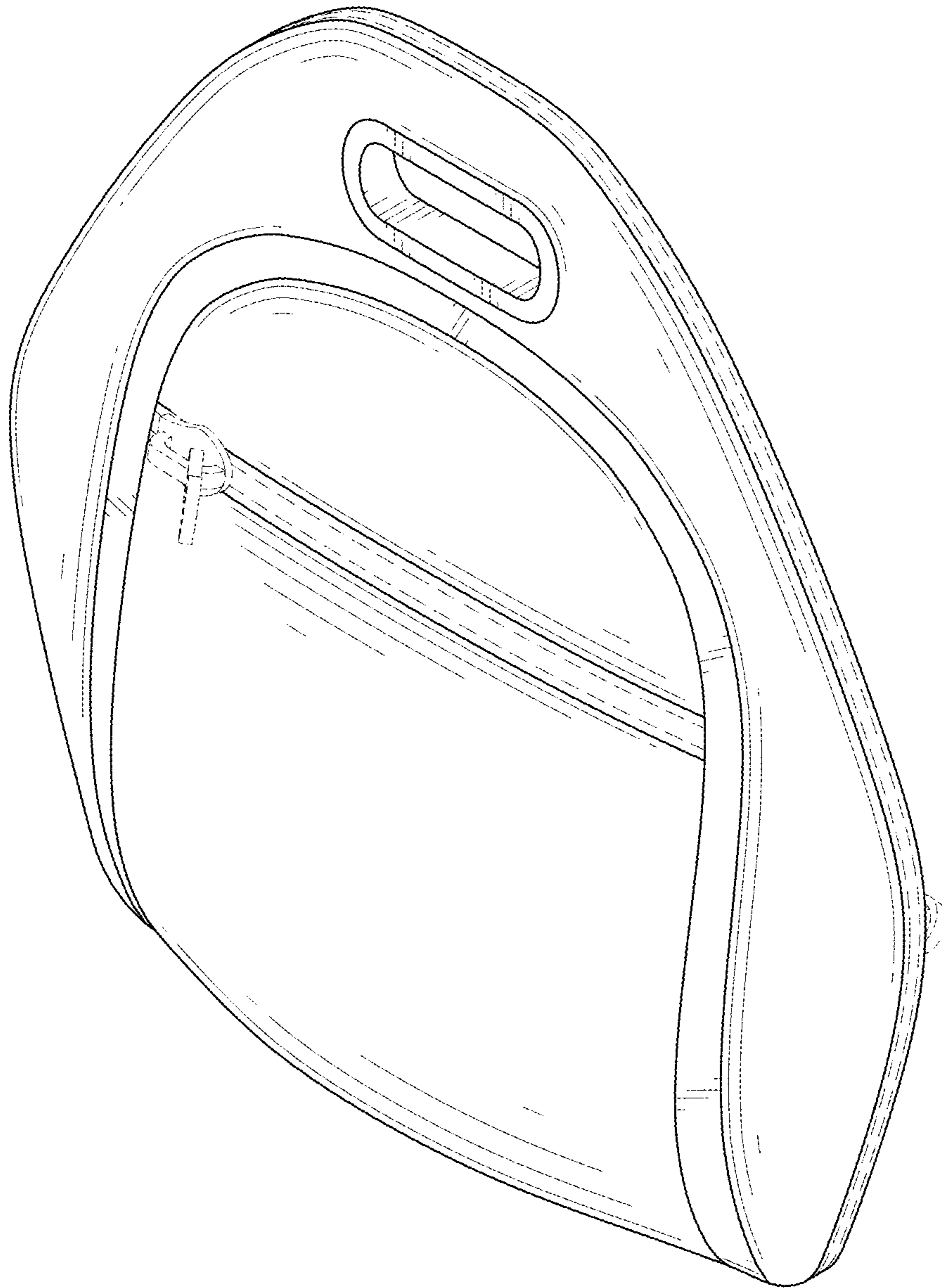


FIG. 8