

US00D856096S

(12) **United States Design Patent**
Lovell

(10) **Patent No.:** **US D856,096 S**

(45) **Date of Patent:** **** Aug. 13, 2019**

(54) **BASEBALL BAT BARBEQUE SPATULA**

2006/0162199 A1* 7/2006 Kang A47J 43/288
40/446

(71) Applicant: **Charles C. Lovell**, Huntingdon Valley,
PA (US)

* cited by examiner

(72) Inventor: **Charles C. Lovell**, Huntingdon Valley,
PA (US)

Primary Examiner — Terry A Wallace

(74) *Attorney, Agent, or Firm* — Andrew L. Salvatore,
Esquire

(**) Term: **15 Years**

(57) **CLAIM**

The ornamental design for a baseball bat barbecue spatula,
as shown and described.

(21) Appl. No.: **29/642,280**

DESCRIPTION

(22) Filed: **Mar. 28, 2018**

(51) **LOC (12) Cl.** **07-04**

(52) **U.S. Cl.**

USPC **D7/689**

(58) **Field of Classification Search**

USPC D7/680–696, 368, 669, 401.2

CPC A47J 43/288; A47J 43/283; A47J 37/0694

See application file for complete search history.

FIG. 1 is a perspective view of my design for a baseball bat
barbeque spatula;

FIG. 2 is a front elevational view of my design for a baseball
bat barbeque spatula;

FIG. 3 is a rear elevational view of my design for a baseball
bat barbeque spatula;

FIG. 4 is a right side elevational view of my design for a
baseball bat barbeque spatula;

FIG. 5 is a left side elevational view of my design for a
baseball bat barbeque spatula;

FIG. 6 is a top plan view of my design for a baseball bat
barbeque spatula; and,

FIG. 7 is a bottom plan view of my design for a baseball bat
barbeque spatula.

The broken lines in the drawings are for illustrative purposes
only and do not form part of the claimed design.

The s-shaped curved lines shown broken away on the
claimed design is to show that no particular length of the
portion is claimed.

(56) **References Cited**

U.S. PATENT DOCUMENTS

2,876,694 A * 3/1959 Thomas A47J 37/0694
16/426

D196,878 S * 11/1963 McCain D21/725

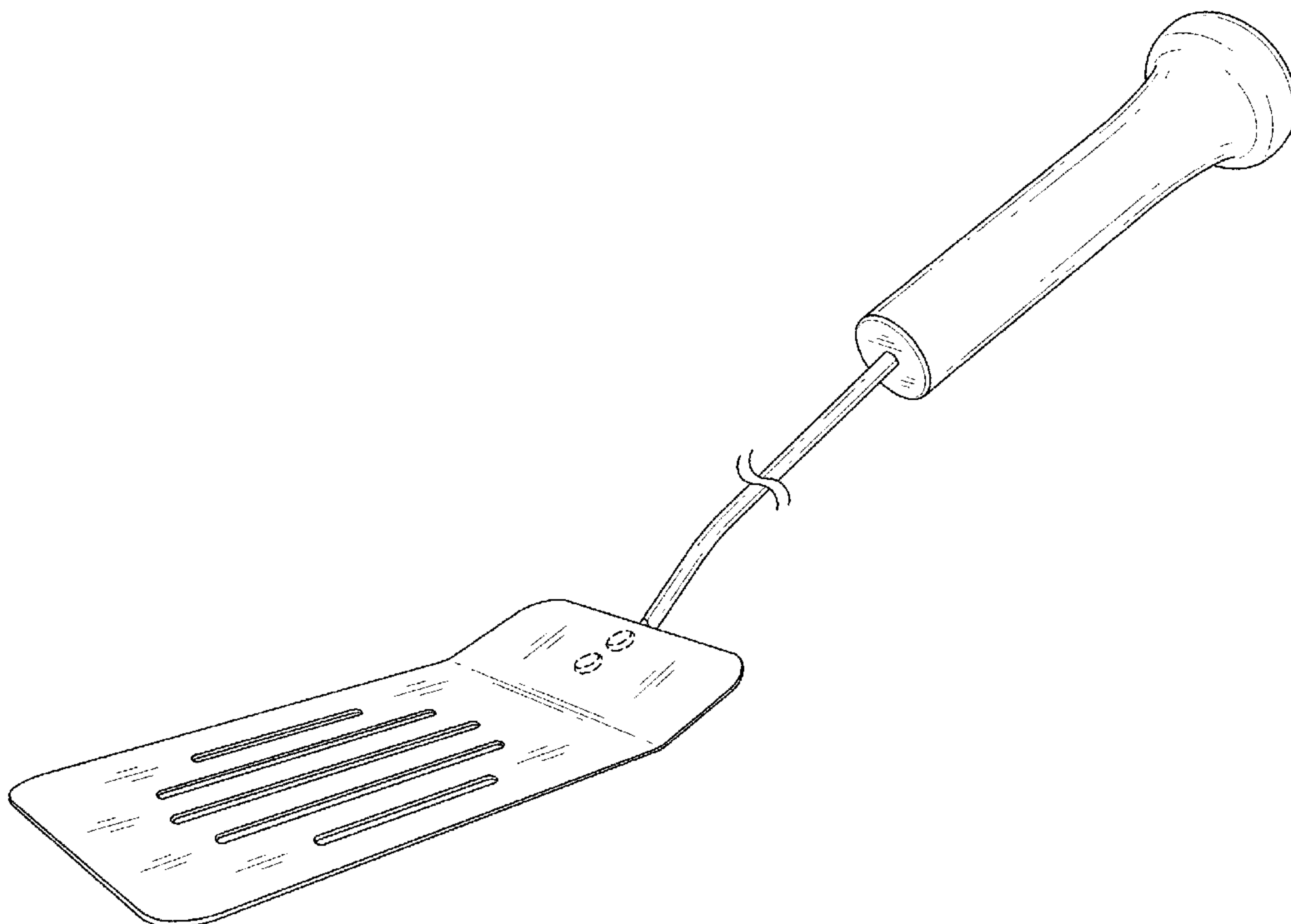
D318,988 S * 8/1991 Antonacci D21/725

D426,429 S * 6/2000 Zemel D7/688

D719,034 S * 12/2014 Sauczuk D21/725

2004/0173104 A1* 9/2004 Upton A47J 43/283
99/357

1 Claim, 4 Drawing Sheets



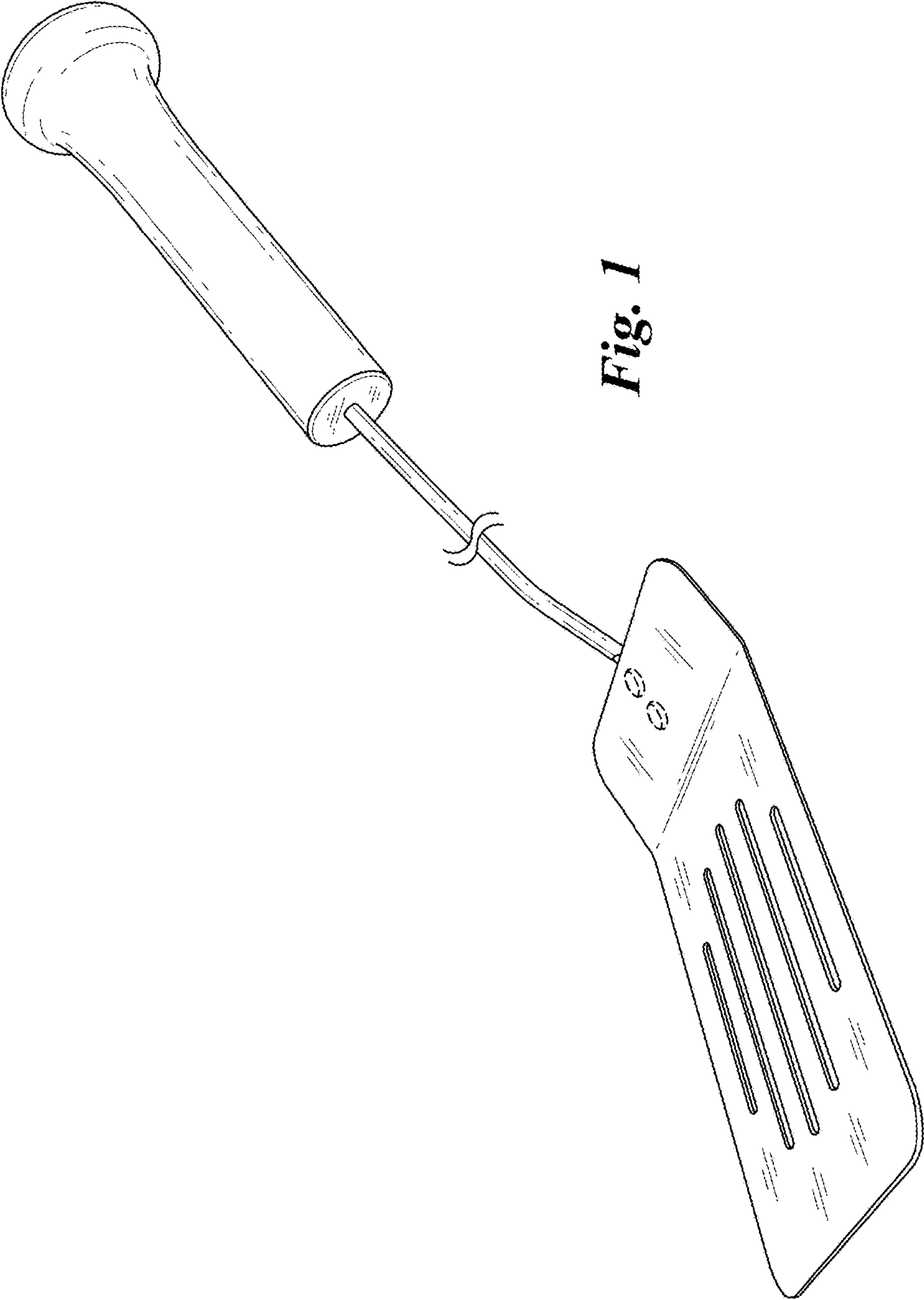


Fig. 1

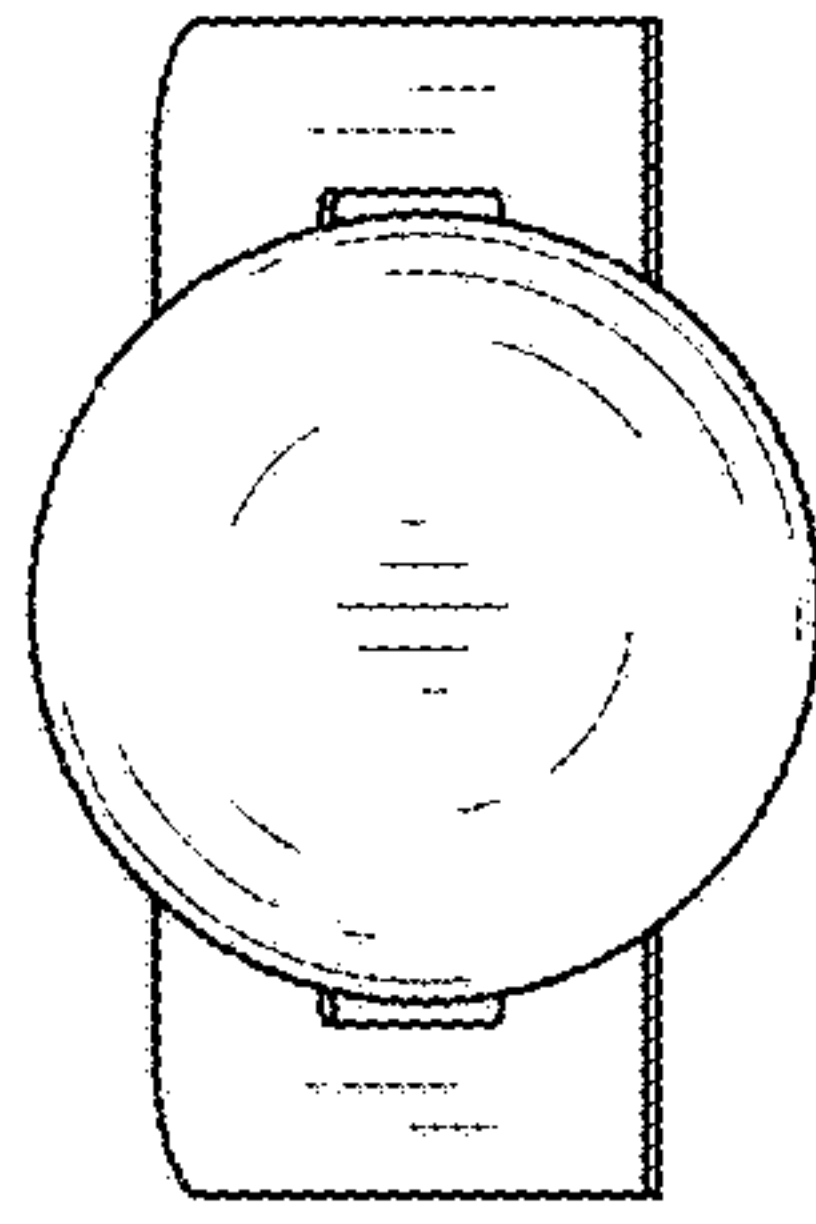


Fig. 3

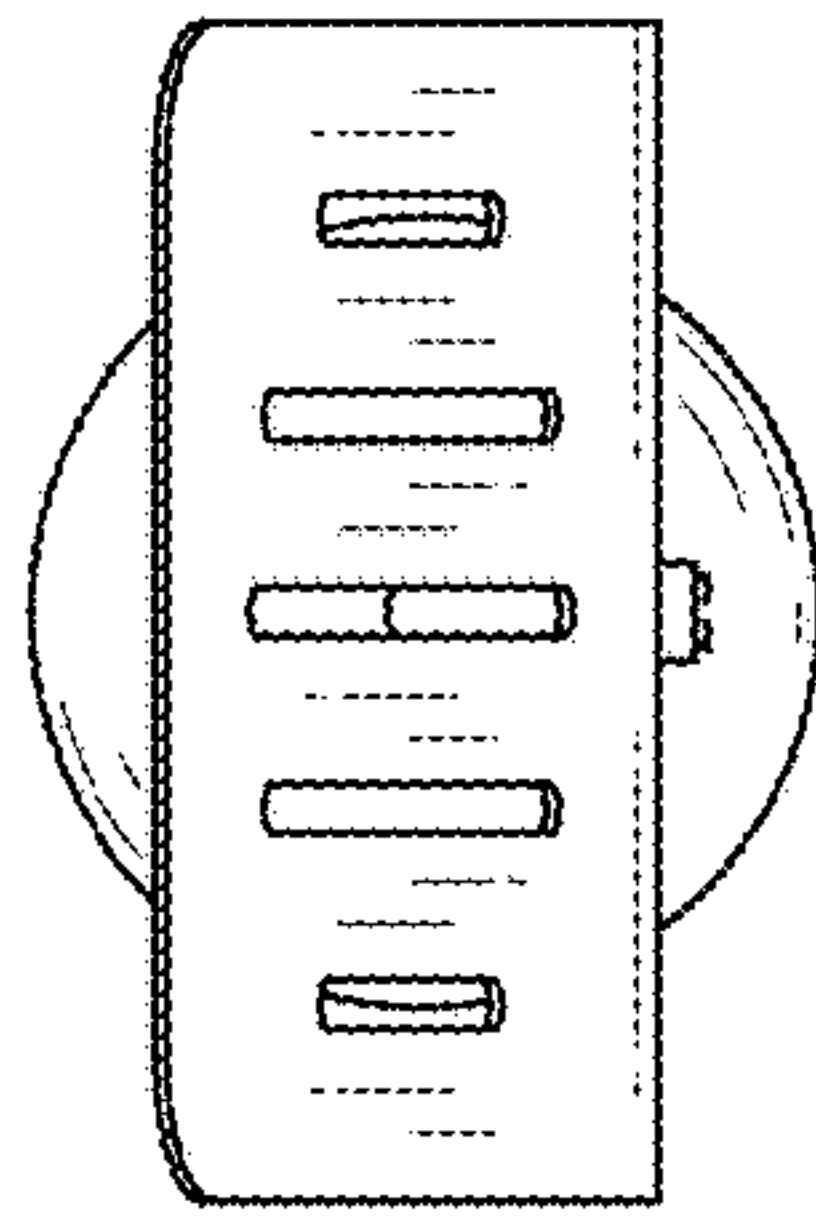


Fig. 2

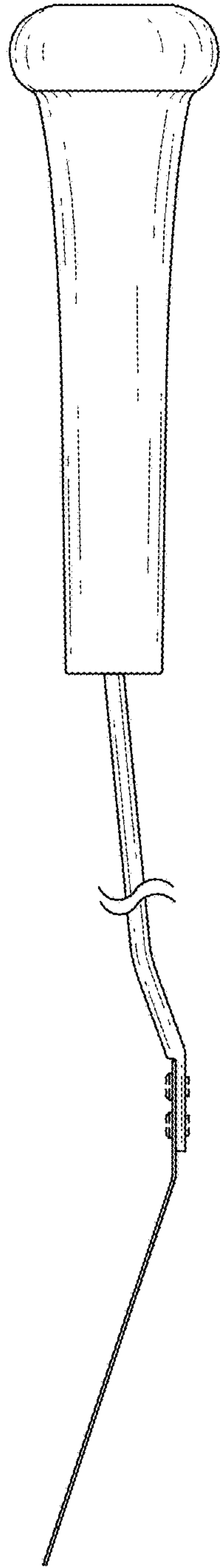


Fig. 4

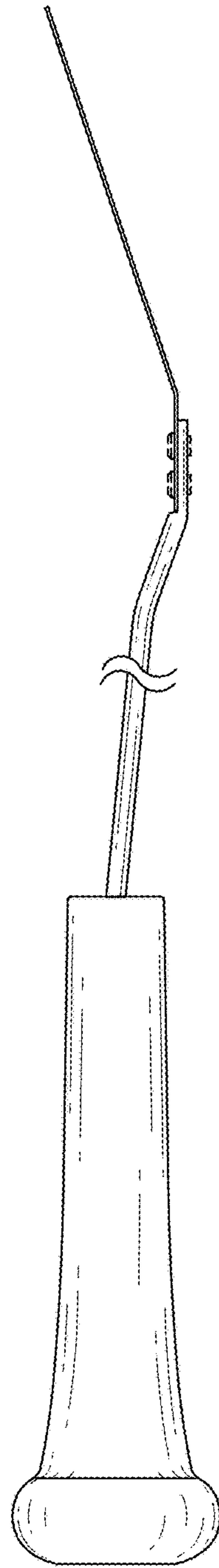


Fig. 5

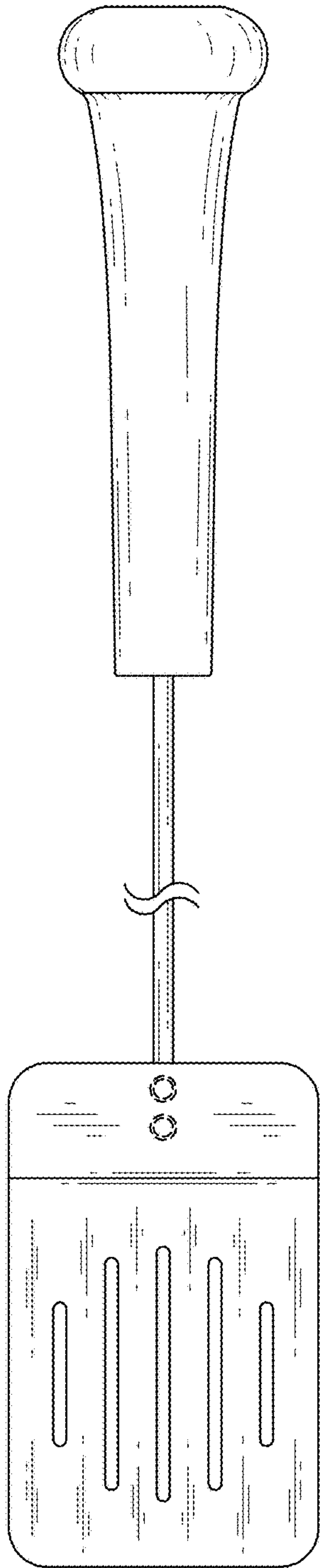


Fig. 6

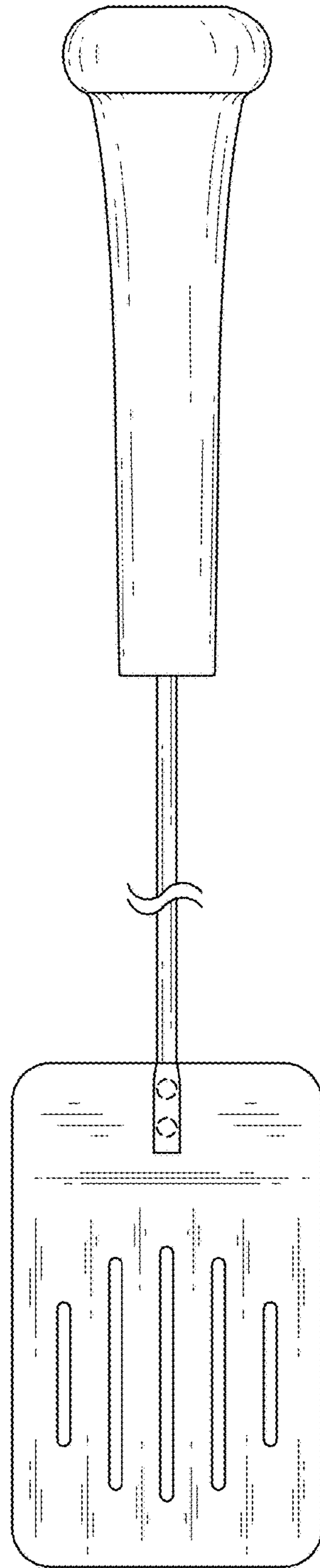


Fig. 7