



US00D856091S

(12) **United States Design Patent** (10) **Patent No.:** **US D856,091 S**
Winterhalter et al. (45) **Date of Patent:** **** Aug. 13, 2019**

- (54) **CUP HOLDER**
- (71) Applicant: **YETI Coolers, LLC**, Austin, TX (US)
- (72) Inventors: **Andrew J. Winterhalter**, Austin, TX (US); **Steve C. Nichols**, Austin, TX (US)
- (73) Assignee: **YETI Coolers, LLC**, Austin, TX (US)
- (**) Term: **15 Years**
- (21) Appl. No.: **29/646,955**
- (22) Filed: **May 8, 2018**

- 4,697,780 A 10/1987 Wenkman et al.
- 4,728,147 A 3/1988 Dutton
- 4,767,092 A 8/1988 Weatherly
- 4,878,642 A 11/1989 Kirby, Jr.
- (Continued)

FOREIGN PATENT DOCUMENTS

- DE 202006007366 U1 9/2000
- WO 12053989 A2 4/2012

OTHER PUBLICATIONS

Website: Scootaround, Inc., "Nitro Rollator Cup Holder Attachment," visited Jan. 5, 2017, <https://www.scootaroundsales.com/Nitro-Rollator-Cup-Holder-Attachment_p_396.html>.

(Continued)

Related U.S. Application Data

- (63) Continuation of application No. 15/904,270, filed on Feb. 23, 2018.
- (51) **LOC (12) Cl.** **07-06**
- (52) **U.S. Cl.**
USPC **D7/620**
- (58) **Field of Classification Search**
USPC D7/619.1-625, 701-707; D12/411, 419, D12/420
CPC A47G 23/0225; A47G 23/0216; A47G 23/02; A47G 23/03; A47G 7/044; A45C 11/20; B60N 3/102; A47F 7/021; B01L 9/06
See application file for complete search history.

Primary Examiner — Terry A Wallace
(74) *Attorney, Agent, or Firm* — Banner & Witcoff, Ltd.

(57) **CLAIM**

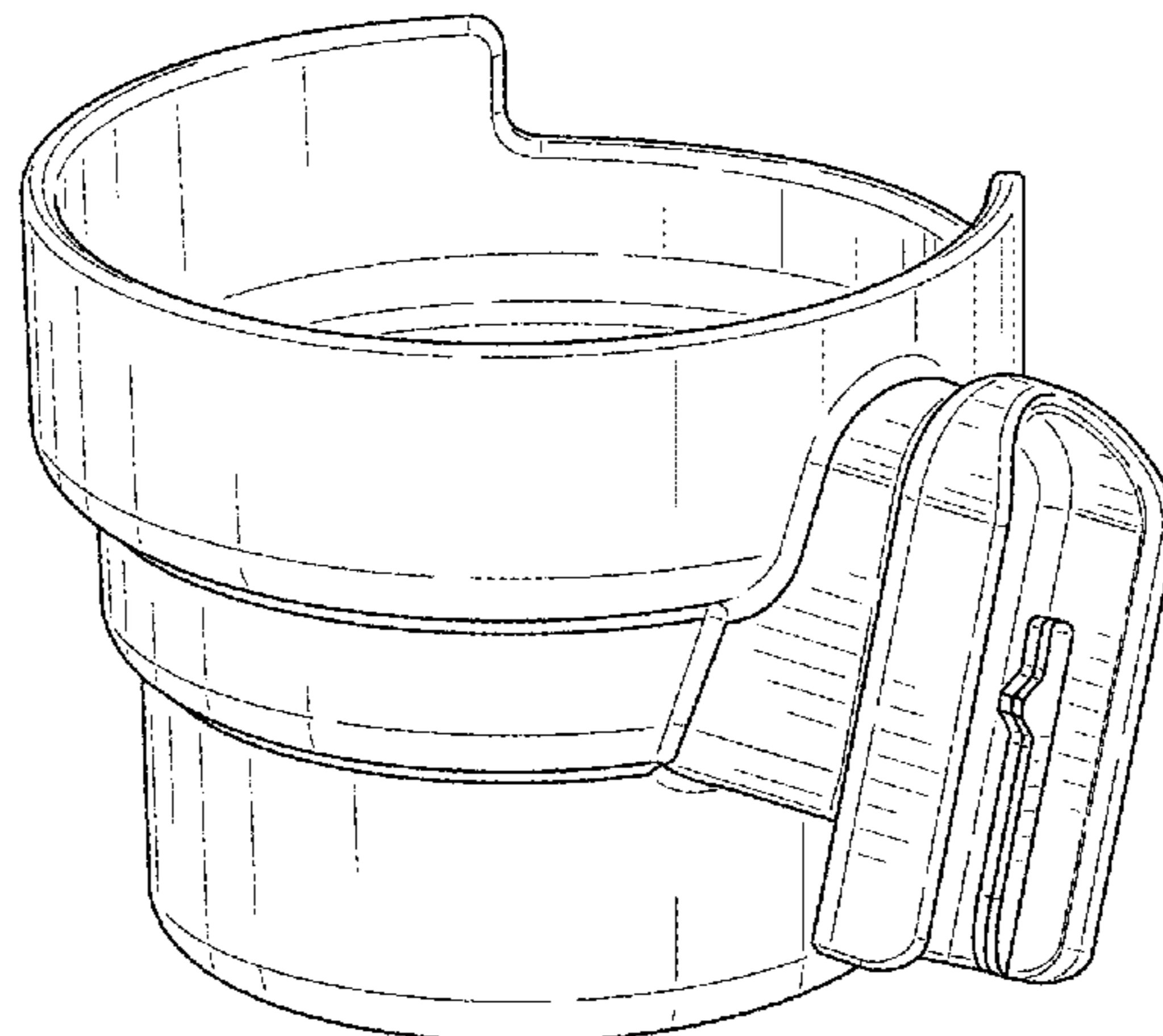
The ornamental design for a cup holder, as shown and described.

DESCRIPTION

FIG. 1 is a top, front, right perspective view of a cup holder showing our new design;
FIG. 2 is a top, front, left perspective view thereof;
FIG. 3 is a front view thereof;
FIG. 4 is a rear side view thereof;
FIG. 5 is a right side view thereof;
FIG. 6 is a left side view thereof;
FIG. 7 is a top view thereof;
FIG. 8 is a bottom view thereof;
FIG. 9 is a cross-sectional view at 9-9 in FIG. 7 thereof;
FIG. 10 is a bottom perspective view thereof; and,
FIG. 11 is a top, rear, left perspective view thereof, the cup is shown in broken lines for illustrative purposes only and forms no part of the claimed design.

1 Claim, 6 Drawing Sheets

- (56) **References Cited**
U.S. PATENT DOCUMENTS
2,995,333 A 8/1961 Pazzano
3,021,106 A 2/1962 Kramer
3,317,171 A 5/1967 Kramer
3,698,675 A 10/1972 Lerew et al.
3,881,677 A 5/1975 Ihlenfeld
4,063,701 A 12/1977 Wray
4,270,724 A 6/1981 McMullen
4,535,923 A 8/1985 Manke
4,560,128 A 12/1985 Willeby et al.



(56)

References Cited

U.S. PATENT DOCUMENTS

4,887,784 A 12/1989 Kayali
 4,997,156 A 3/1991 Allen
 5,035,464 A 7/1991 Spallholtz
 5,356,107 A 10/1994 Sinohuiz
 D353,840 S 12/1994 Dietterich et al.
 D373,935 S 9/1996 Cole et al.
 5,628,485 A 5/1997 Ray
 5,655,805 A * 8/1997 Shaddy A47G 23/0216
 220/738
 5,688,023 A 11/1997 Blocker, Jr.
 5,695,162 A 12/1997 DiCastro
 5,813,646 A 9/1998 Bartholomae
 5,842,671 A 12/1998 Gibbs
 D404,975 S 2/1999 Fegan
 5,865,124 A 2/1999 Wroe
 5,865,412 A 2/1999 Mason
 5,996,957 A 12/1999 Kurtz
 6,029,938 A 2/2000 Fava
 D429,969 S 8/2000 Frankel
 6,227,511 B1 5/2001 De Costa
 6,338,419 B1 1/2002 Penney
 6,375,257 B1 4/2002 Wooding et al.
 D463,219 S 9/2002 Tsai
 D470,727 S 2/2003 Bartley
 D476,860 S 7/2003 Groendyke
 6,601,813 B1 8/2003 Kager et al.
 6,648,290 B1 11/2003 Aleman
 6,663,068 B2 12/2003 Huang
 6,766,912 B1 7/2004 Gibbs
 6,896,231 B1 5/2005 Sullivan, Sr.
 D511,439 S 11/2005 Roybal
 7,090,183 B2 * 8/2006 Heybl A47G 23/0225
 224/567
 7,275,729 B2 10/2007 Sherman et al.
 7,284,737 B2 10/2007 Kane
 D600,077 S 9/2009 Barnes, Jr.
 D604,564 S * 11/2009 Walter D7/620
 7,959,121 B1 6/2011 Barnes, Jr.
 8,066,148 B2 11/2011 Garahan
 D654,322 S 2/2012 Duncan
 D673,816 S 1/2013 Phillips
 D679,146 S 4/2013 Rincon
 8,430,366 B2 4/2013 Tincher
 8,500,076 B2 8/2013 Lai
 8,636,319 B1 1/2014 Parker, Jr.
 8,668,257 B2 3/2014 Wu
 8,905,471 B2 12/2014 Tang
 8,979,190 B2 3/2015 Madrigal et al.
 D727,110 S 4/2015 Henry et al.
 D727,111 S 4/2015 Henry et al.
 9,004,433 B2 4/2015 Krieger

9,259,092 B2 2/2016 Choi
 9,345,353 B2 5/2016 Forbes et al.
 9,428,207 B2 8/2016 Hartenstine et al.
 9,468,297 B2 10/2016 Grace
 9,532,559 B1 1/2017 Hemmerlin et al.
 9,532,654 B1 1/2017 Adams, IV et al.
 9,642,485 B2 5/2017 Kuznicki, Jr.
 9,677,594 B1 6/2017 Hemmerlin
 D837,614 S 1/2019 Nichols
 2001/0032915 A1 10/2001 Clifford
 2002/0070324 A1 6/2002 Huang
 2004/0129852 A1 7/2004 Giampavolo
 2004/0144904 A1 7/2004 Carnevali
 2005/0051690 A1 3/2005 Phillips et al.
 2006/0081750 A1 4/2006 Kazyaka
 2008/0302938 A1 12/2008 Goodwin et al.
 2009/0014611 A1 1/2009 Hampton
 2009/0050766 A1 2/2009 Scarton et al.
 2010/0084531 A1 4/2010 Schuchman
 2010/0096521 A1 4/2010 White et al.
 2010/0275821 A1 11/2010 Lebel et al.
 2011/0121619 A1 5/2011 Chappell
 2014/0110977 A1 4/2014 Madrigal et al.
 2014/0175139 A1 6/2014 Pereira
 2014/0246550 A1 9/2014 Thier et al.
 2014/0361583 A1 12/2014 Martus et al.
 2016/0045048 A1 2/2016 Katz
 2018/0202496 A1 7/2018 Yang et al.

OTHER PUBLICATIONS

Website: Nordstrom, Inc., "Liquid Holster Self Leveling Cup Holder for City Select® Stroller," visited Jan. 5, 2017, <<http://shop.nordstrom.com/s/baby-jogger-liquid-holster-self-leveling-cup-holder-for-city-select-stroller/4465499?origin=category-personalizedsort&fashioncolor=black>>.
 Website: Toys"R"Us, "Quinny Stroller Cupholder," visited Jan. 5, 2017, <<https://t.toysrus.com/product?productId=17078546>>.
 Website: Cheeky Rascals, Image/jpg of "Mima Accessory Cup Holder," visited Jan. 5, 2017, <http://images.cheekyrascals.co.uk/images/product_shots/mima/mima_accessory_cup_holder.jpg>.
 Website: 93y.ru., "Surf Silver Cross," visited Jan. 5, 2017, <<http://93y.ru/233101-podstakannik-surf-silver-cross.html>>.
 Website: Linio, "Portavastos de Bicicleta, Motocicleta y Carreolas," visited Jan. 5, 2017, <<https://www.linio.com.mx/p/portavastos-de-bicicleta-motocicleta-y-carreolas-tmqk8f>>.
 Website: Adverts, "Bugaboo Cup Holder," visited Jan. 5, 2017, <<http://www.adverts.ie/buggies/bugaboo-cup-holder/9897502>>.
 Website: Babyhome, "Cup Holder," visited Jan. 5, 2017, <<http://babyhome.es/qa/en/products/cup-holder>>.

* cited by examiner

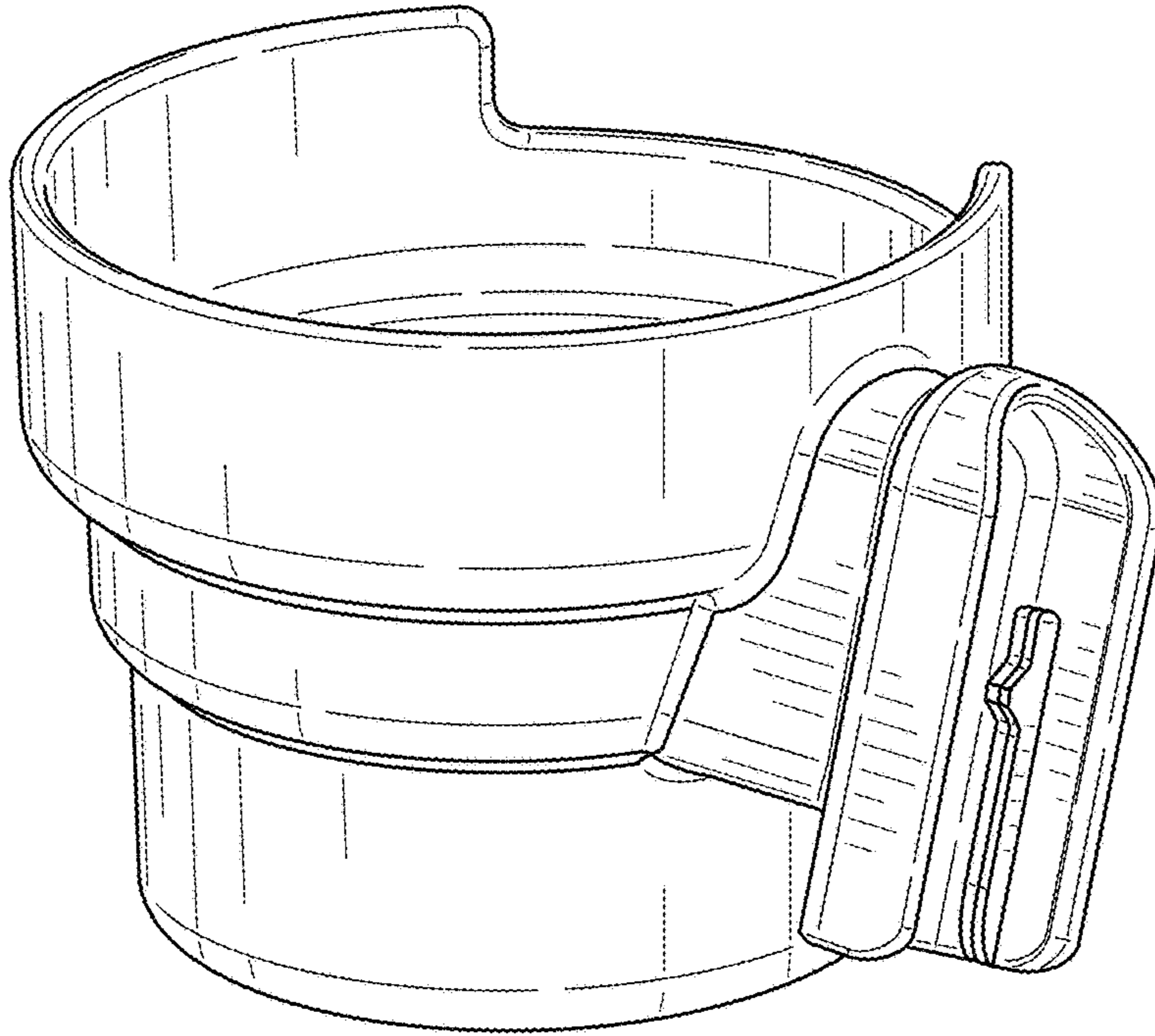


FIG. 1

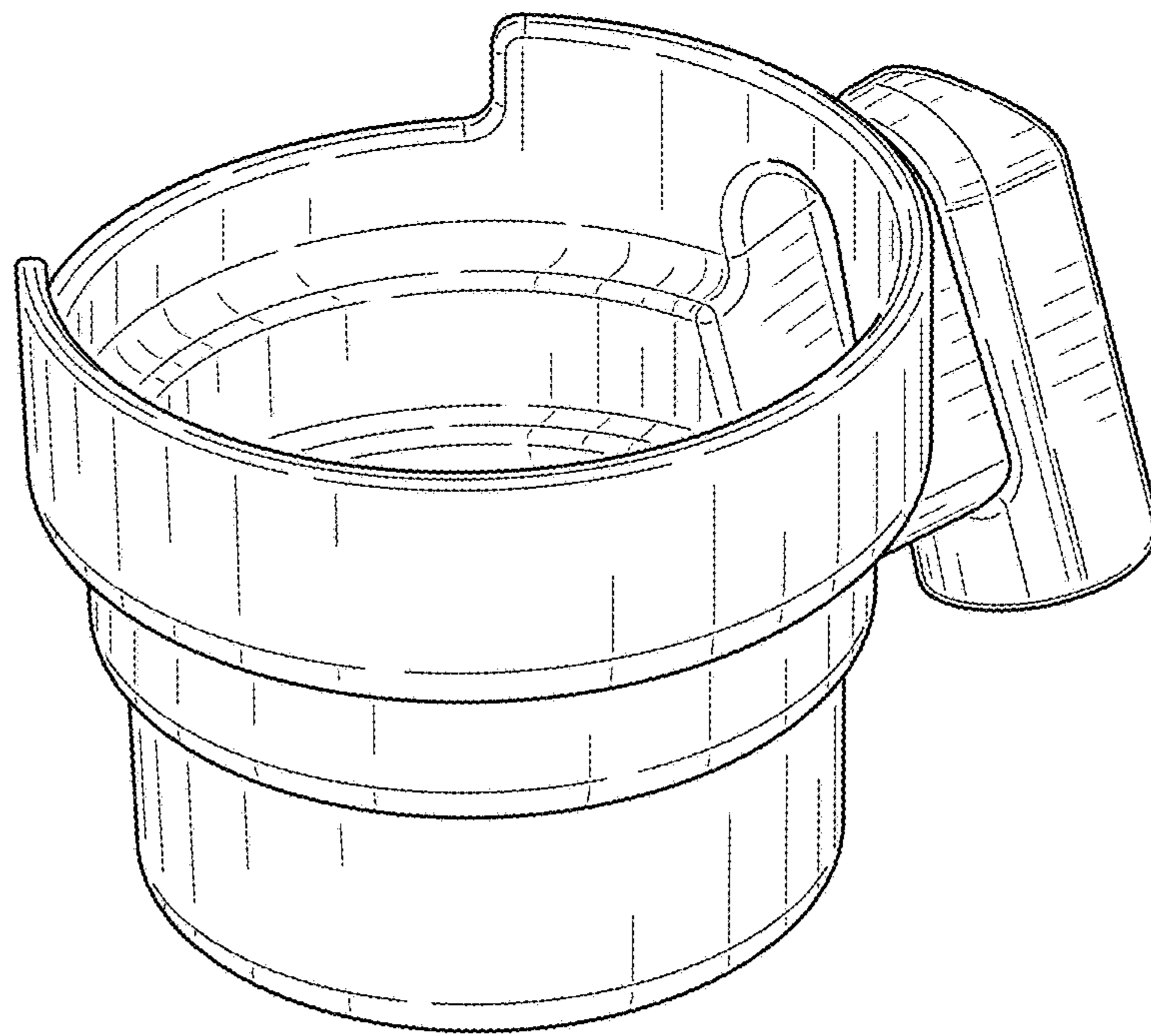


FIG. 2

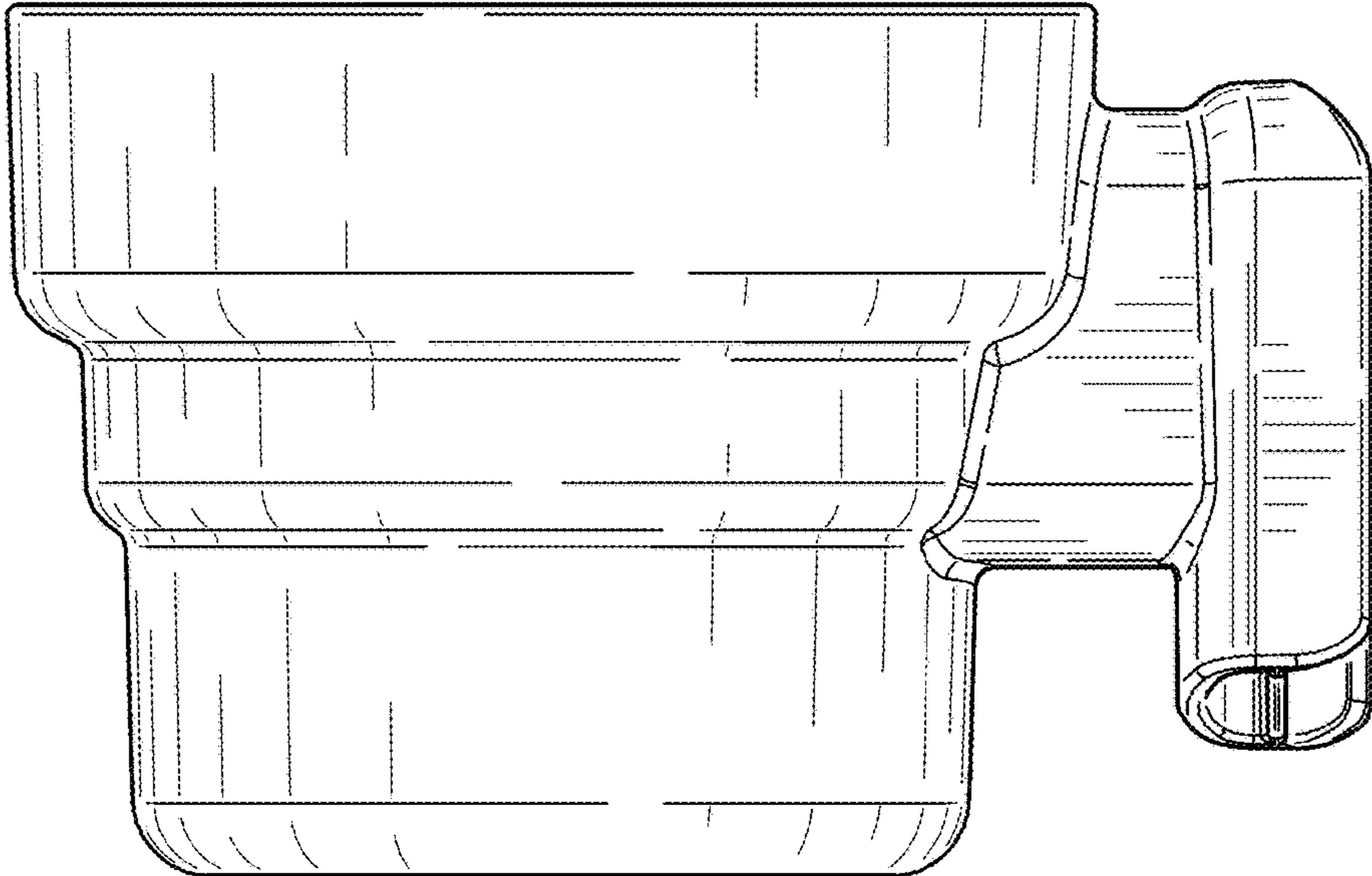


FIG. 3

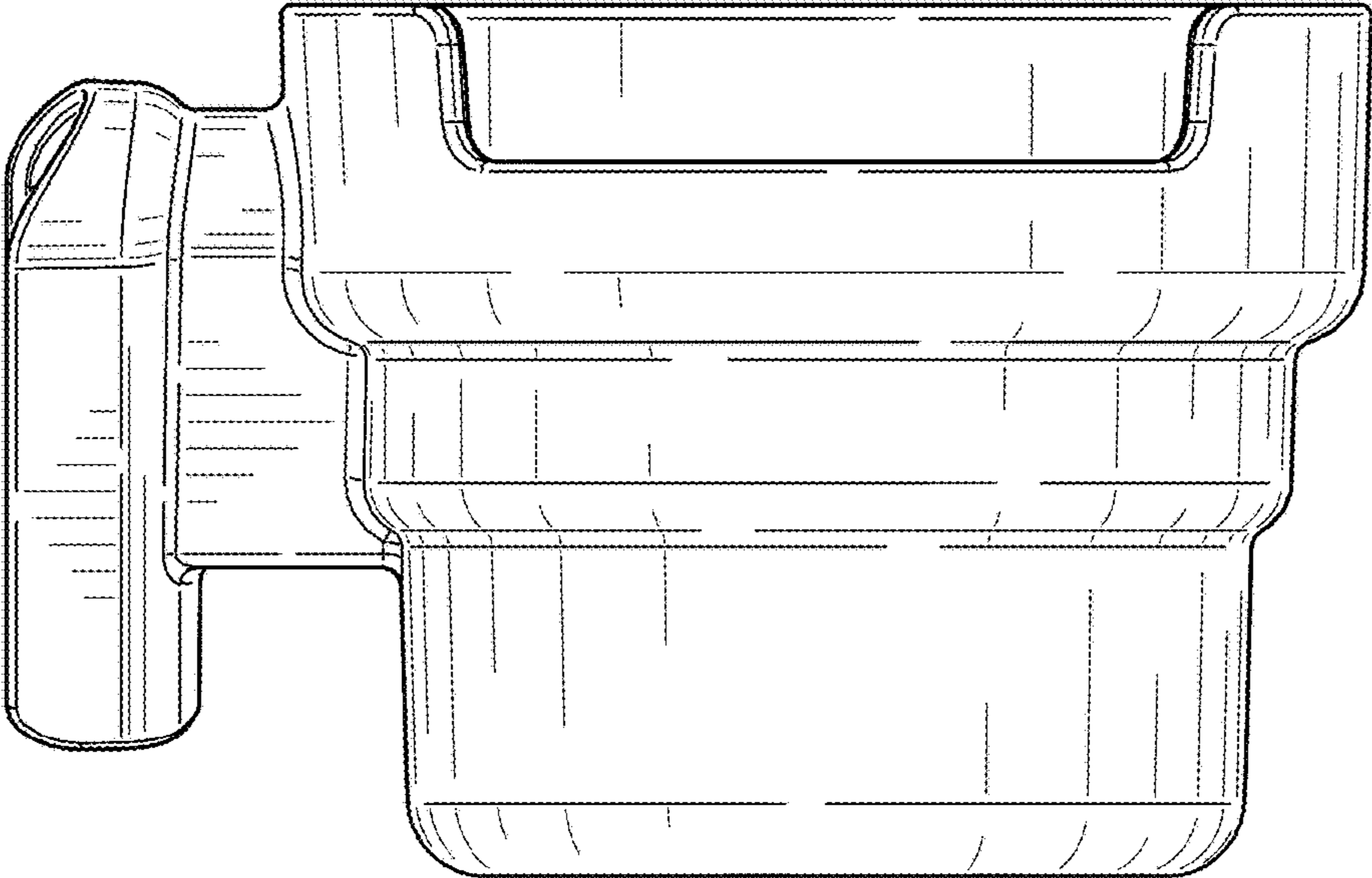


FIG. 4

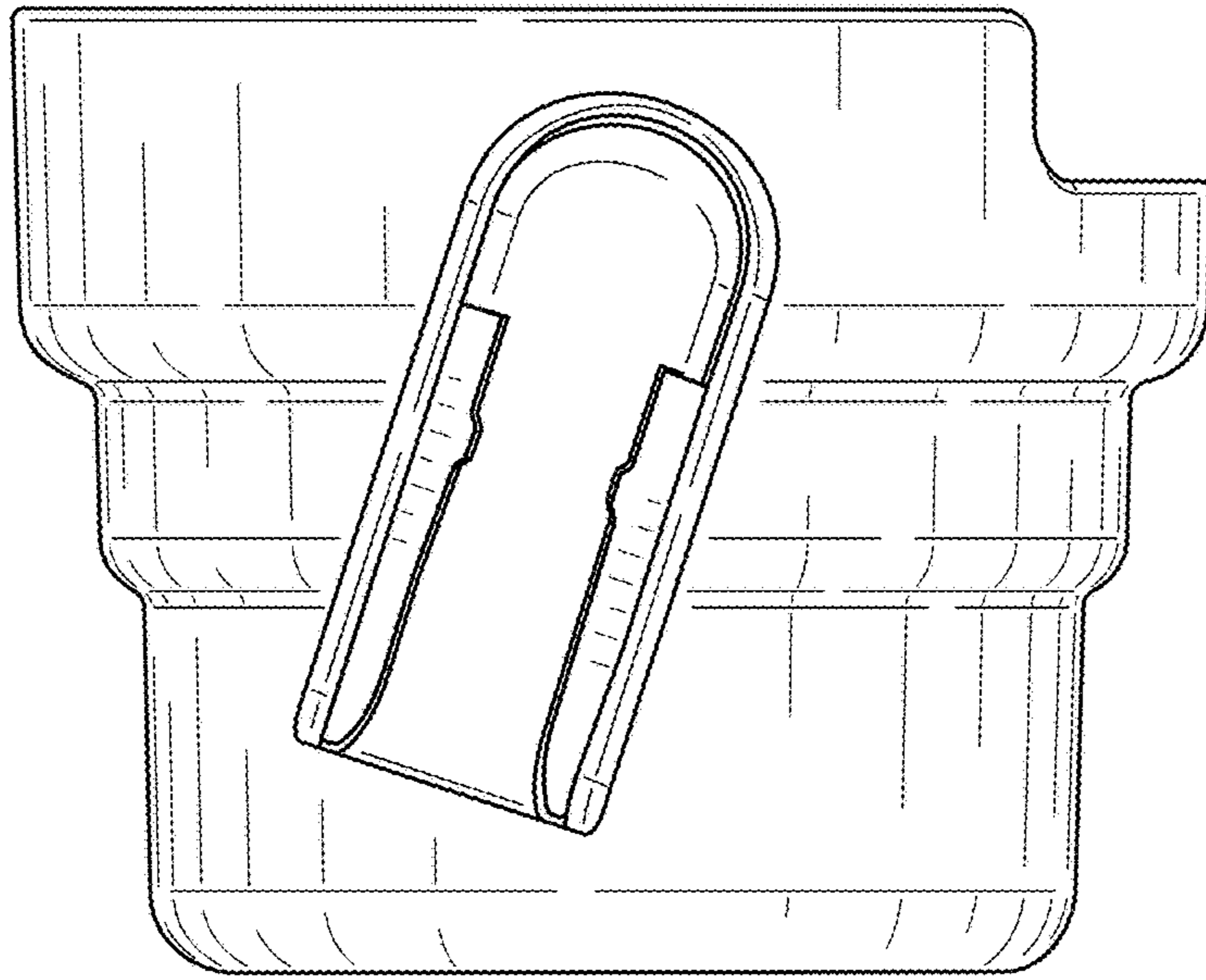


FIG. 5

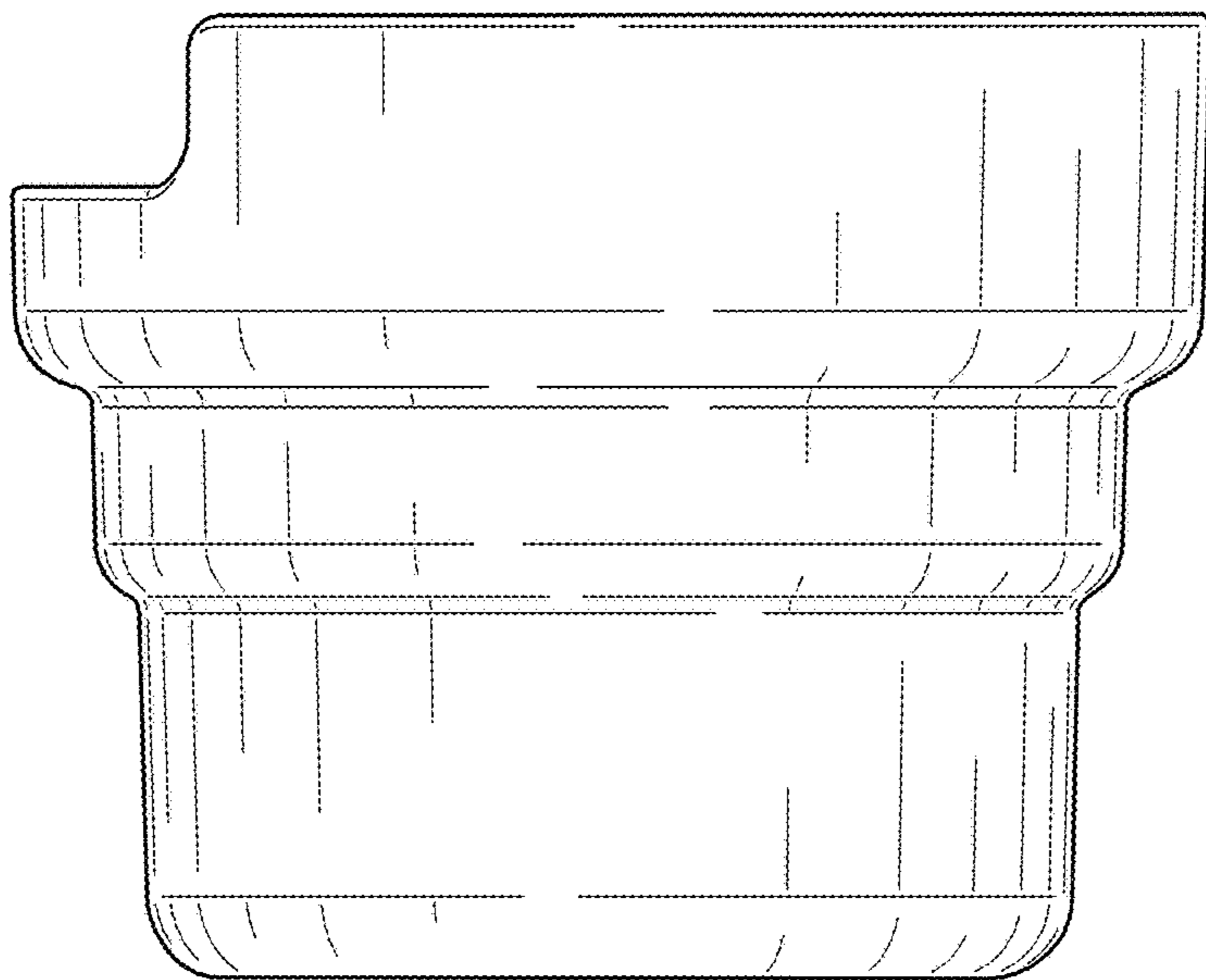


FIG. 6

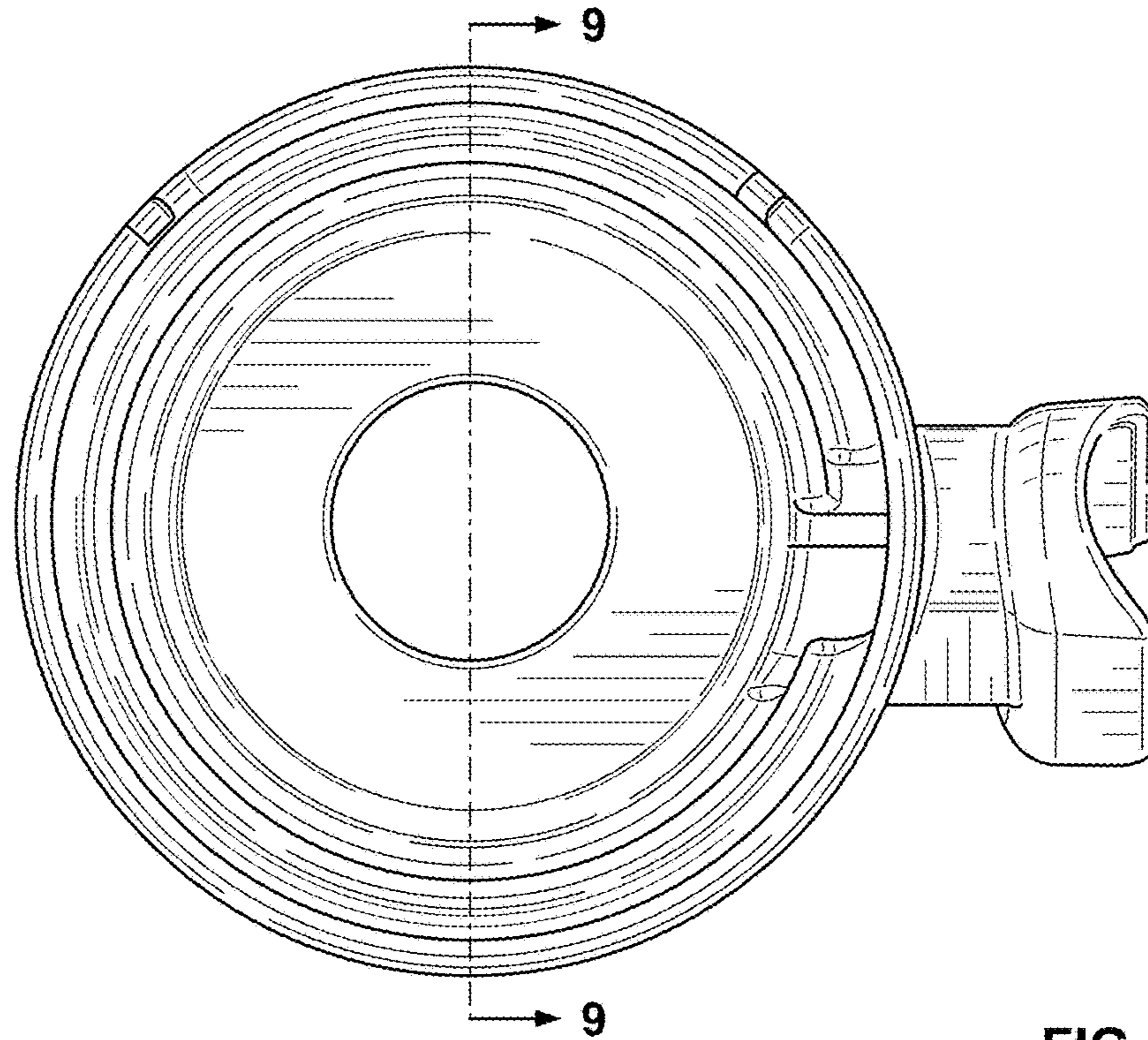


FIG. 7

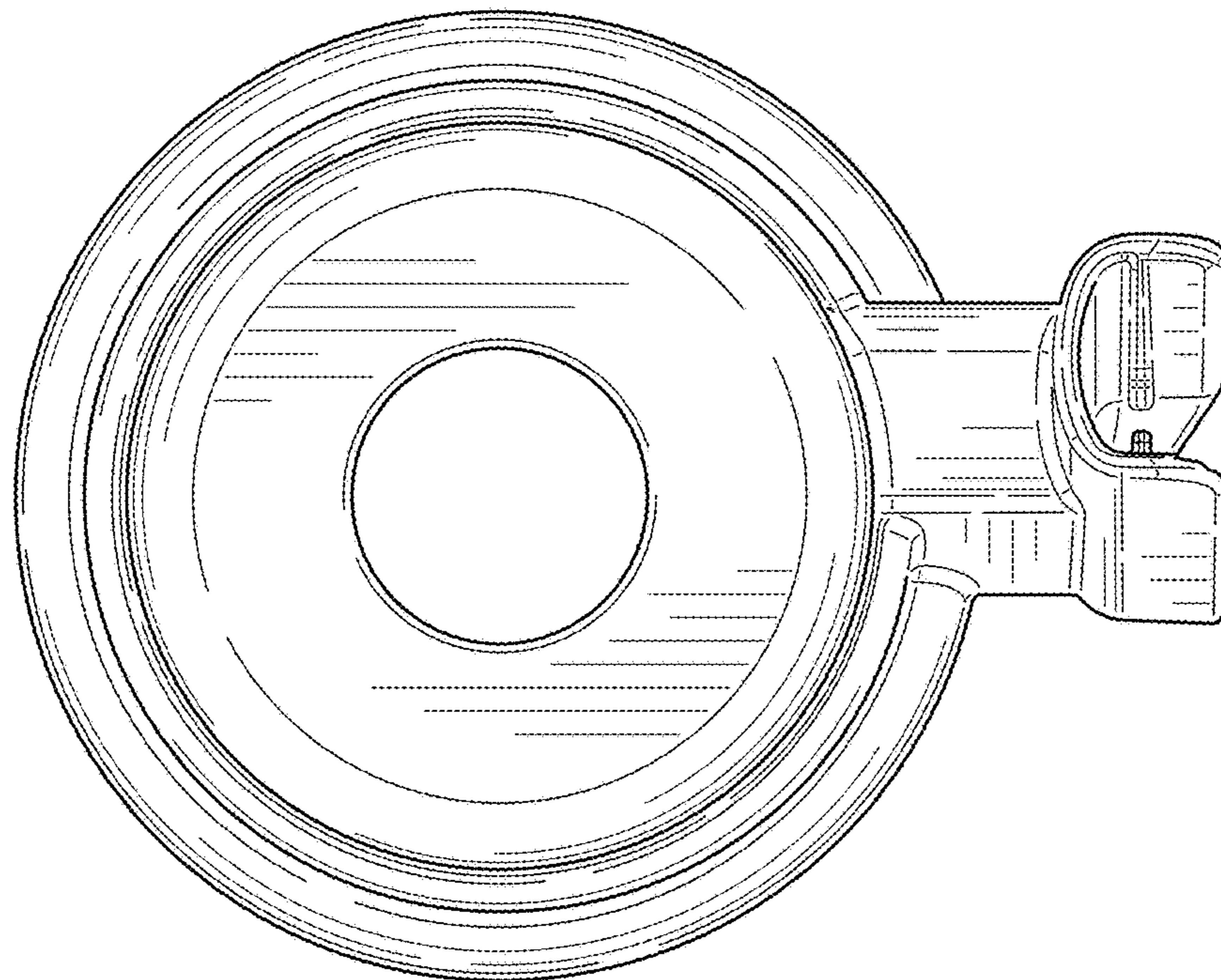


FIG. 8

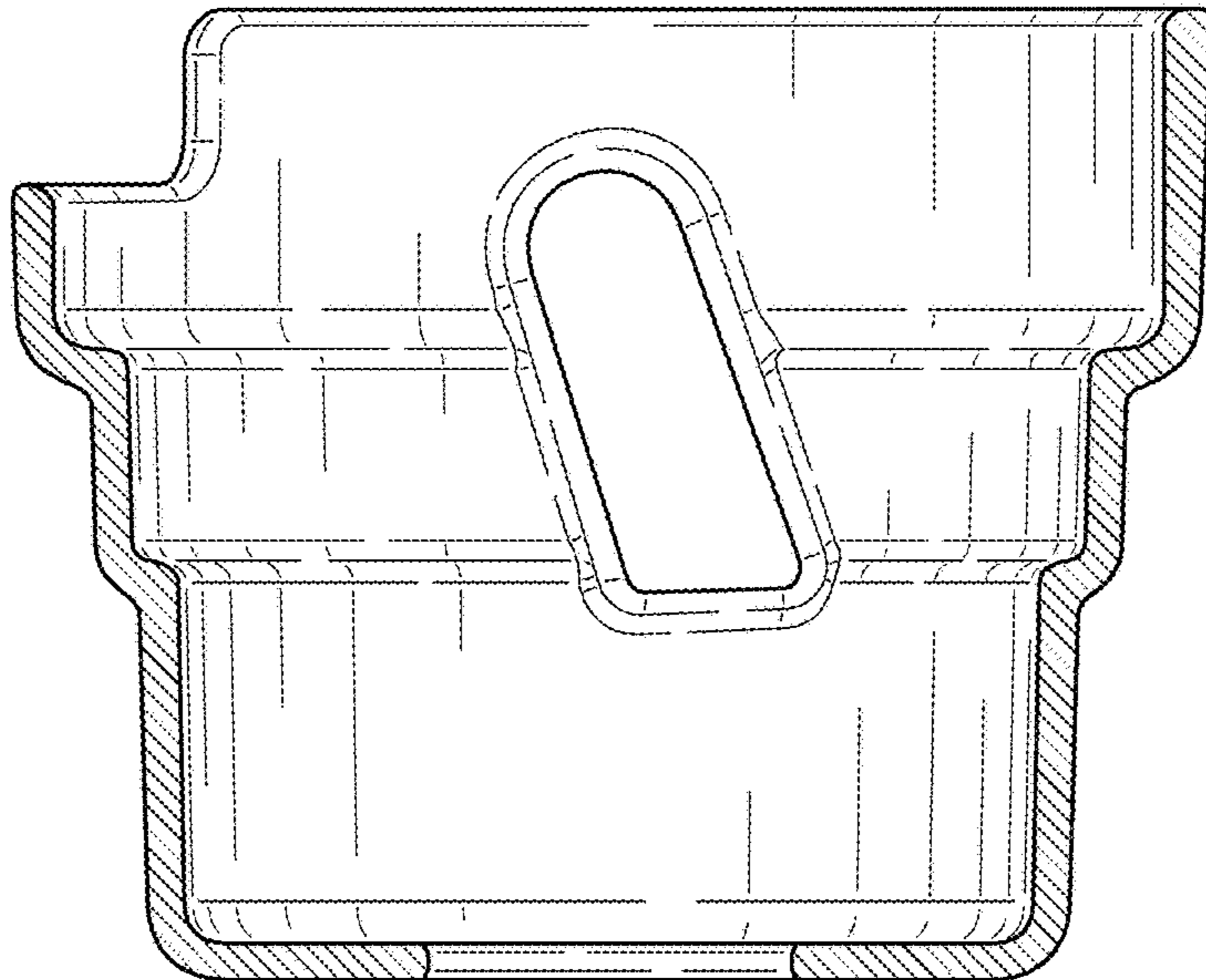


FIG. 9

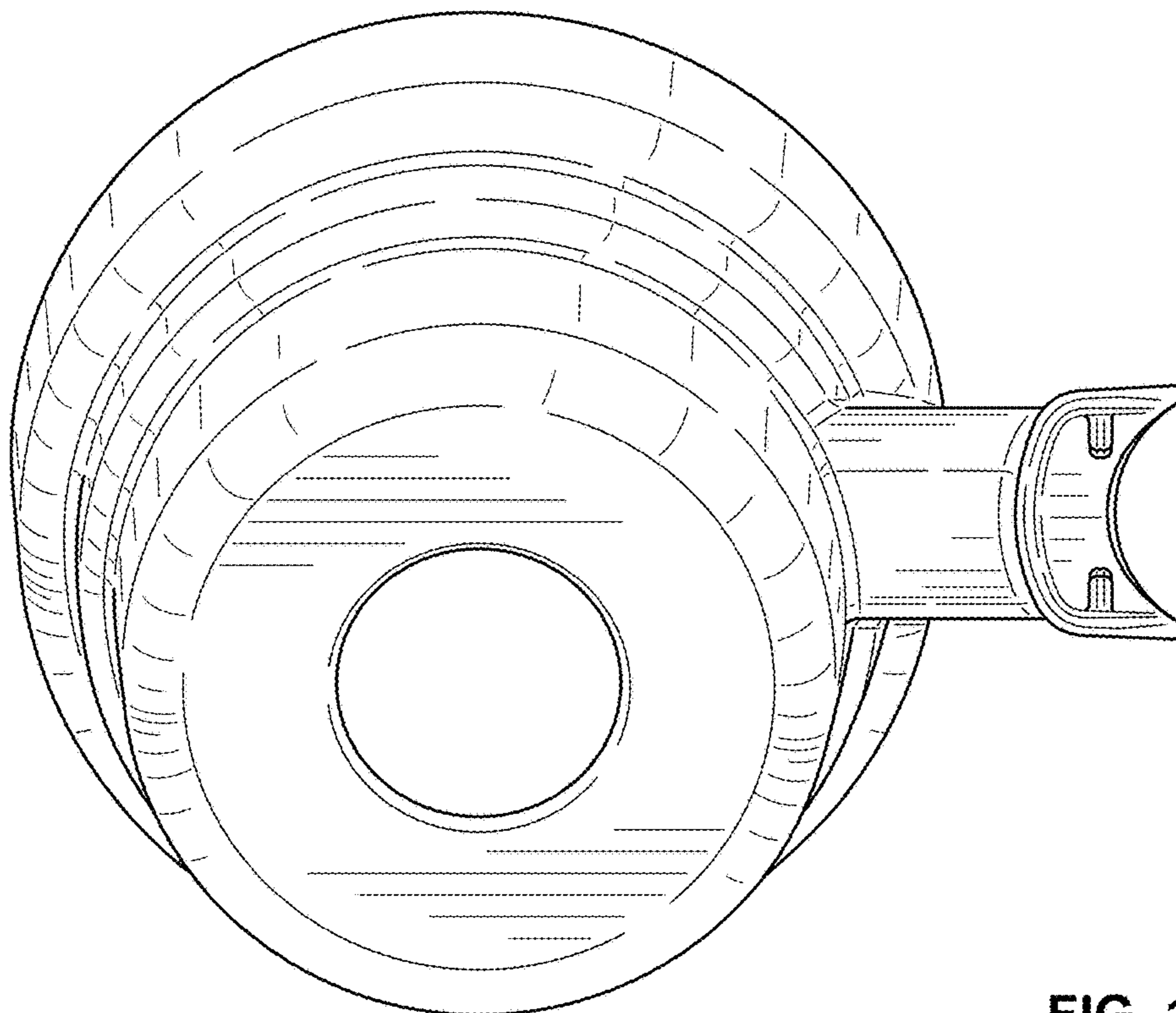


FIG. 10

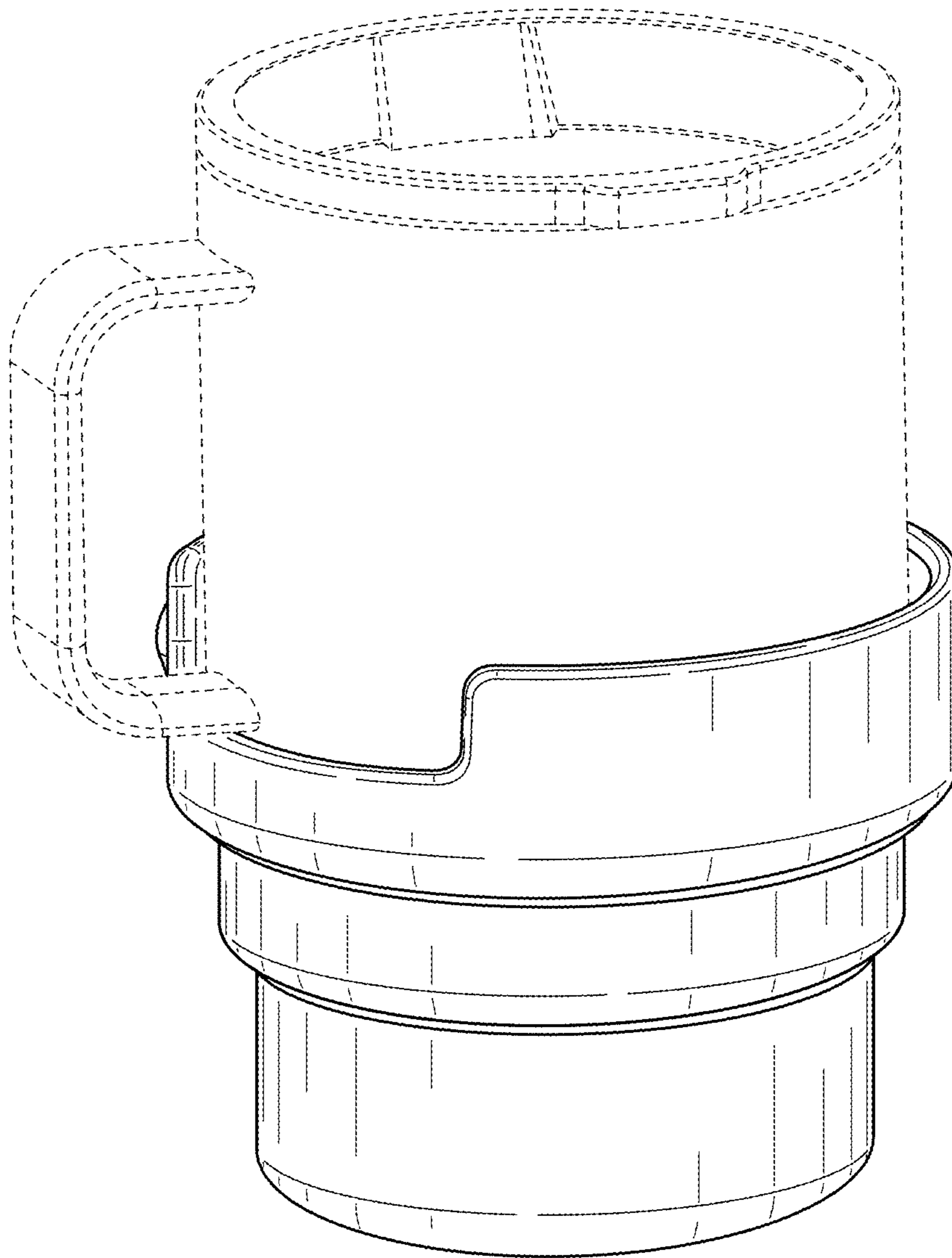


FIG. 11