



US00D856090S

(12) **United States Design Patent** (10) **Patent No.:** **US D856,090 S**  
**Anderson** (45) **Date of Patent:** **\*\* Aug. 13, 2019**

(54) **ADJUSTABLE BEVERAGE CONTAINER SLEEVE**  
(71) Applicant: **NARROW GATE TRADING COMPANY, LLC., Franklin, TN (US)**  
(72) Inventor: **Jesse Samuel Anderson, Franklin, TN (US)**  
(73) Assignee: **Narrow Gate Trading Company, LLC., Franklin, TN (US)**

(\*\*) Term: **15 Years**

(21) Appl. No.: **29/642,482**

(22) Filed: **Mar. 29, 2018**

(51) **LOC (12) Cl.** ..... **07-06**

(52) **U.S. Cl.**  
USPC ..... **D7/619.1**

(58) **Field of Classification Search**  
USPC ..... D7/619.1-625, 605-608; D9/444  
CPC ..... B65D 81/3879; B65D 81/3874; B65D 81/3897; B65D 81/3876; B65D 2313/02; A41D 13/0015; A41D 20/005; A47G 23/0216

See application file for complete search history.

(56) **References Cited**

**U.S. PATENT DOCUMENTS**

4,698,854 A \* 10/1987 Slimmon ..... A41D 13/0015 15/222  
5,146,630 A \* 9/1992 Richard ..... A41D 20/005 2/171.2  
D393,571 S 4/1998 Gardner  
6,286,709 B1 9/2001 Hudson  
7,000,801 B2 2/2006 Rodriguez  
7,228,987 B2 6/2007 Jones  
D581,658 S 12/2008 Leslie

8,220,763 B2 7/2012 Lewis  
8,365,947 B2 2/2013 Solomon  
9,856,068 B2 1/2018 Jody  
2005/0103795 A1\* 5/2005 Hall ..... B65D 81/3879 220/737  
2005/0173445 A1\* 8/2005 Sumerson ..... B65D 81/3897 220/737  
2007/0257049 A1 11/2007 Tolan

\* cited by examiner

*Primary Examiner* — Terry A Wallace

(74) *Attorney, Agent, or Firm* — Lodestone Legal Group; Jeromye V. Sartain

(57) **CLAIM**

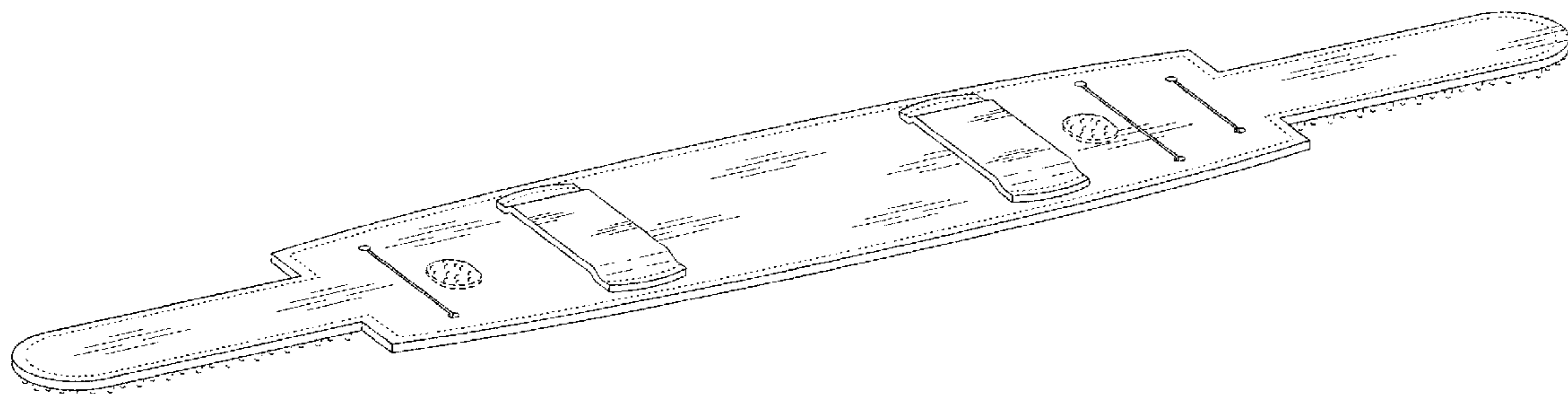
The ornamental design for an adjustable beverage container sleeve, as shown and described.

**DESCRIPTION**

FIG. 1 is a perspective view of an adjustable beverage container sleeve showing my new design; FIG. 2 is a front view thereof; FIG. 3 is a rear view thereof; FIG. 4 is a top view thereof; FIG. 5 is a bottom view thereof; FIG. 6 is a left side view thereof; FIG. 7 is a right side view thereof; FIG. 8 is a perspective view thereof in a first operational mode; and, FIG. 9 is a further perspective view thereof in the first operational mode, here showing an illustrative beverage container for environment.

The broken lines are for illustrative purposes only and form no part of the claimed design. Specifically, the broken line showing of a beverage container in FIG. 9 represents environment. All other broken lines represent unclaimed portions of the article.

**1 Claim, 3 Drawing Sheets**



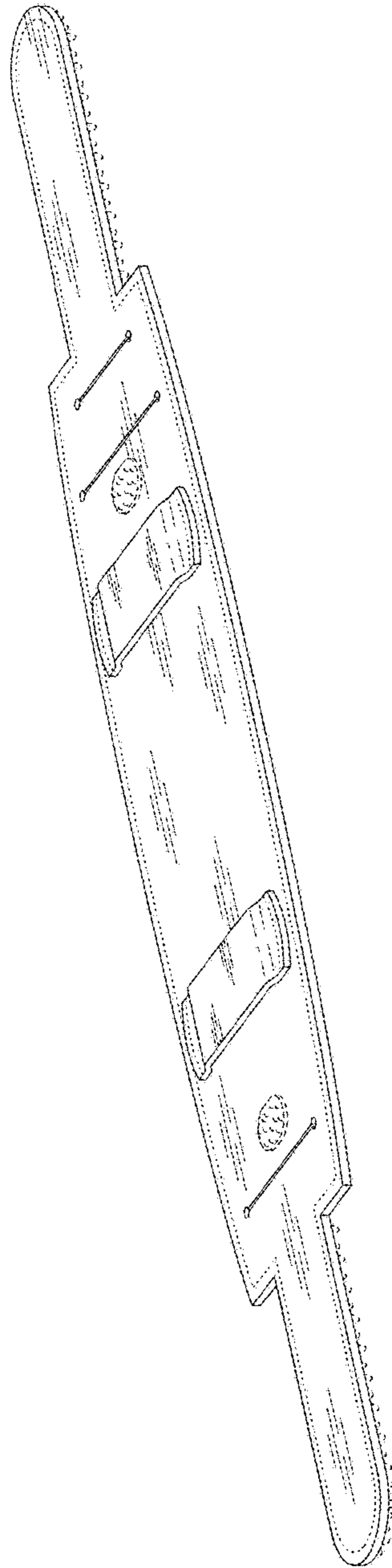


Fig. 1

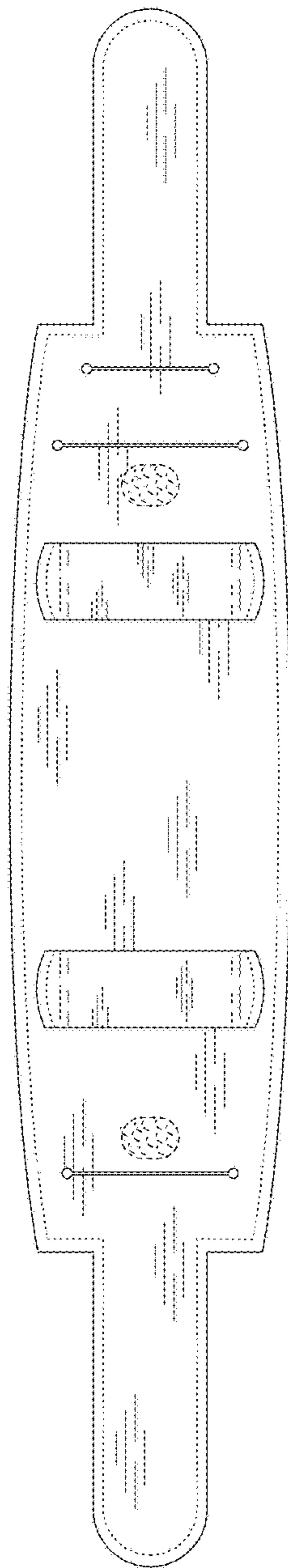


Fig. 2

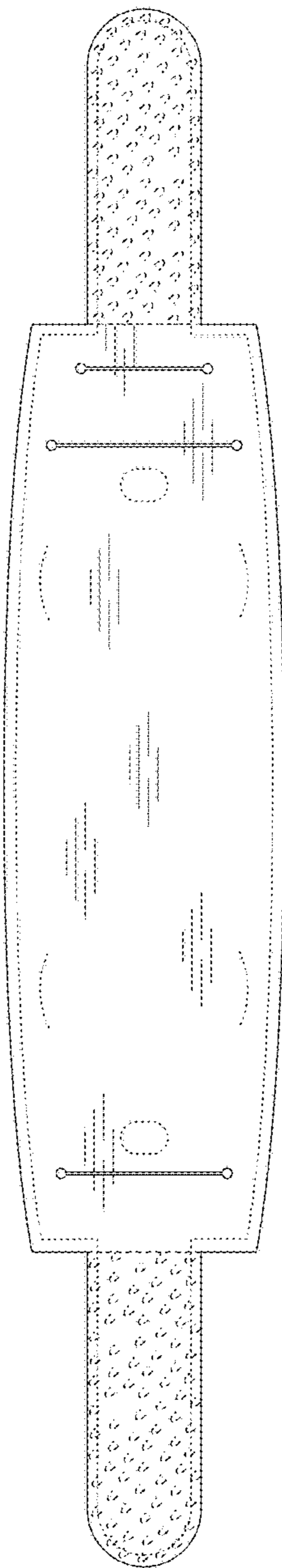


Fig. 3

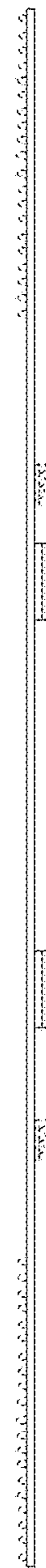


Fig. 4

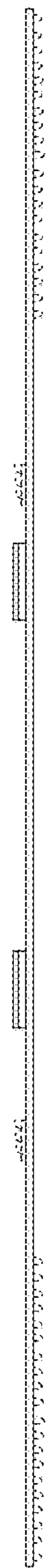
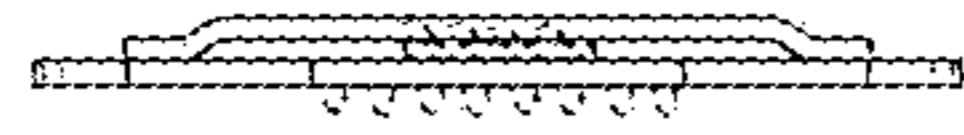
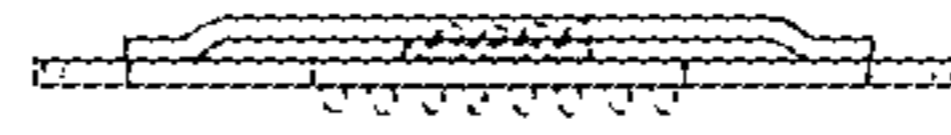


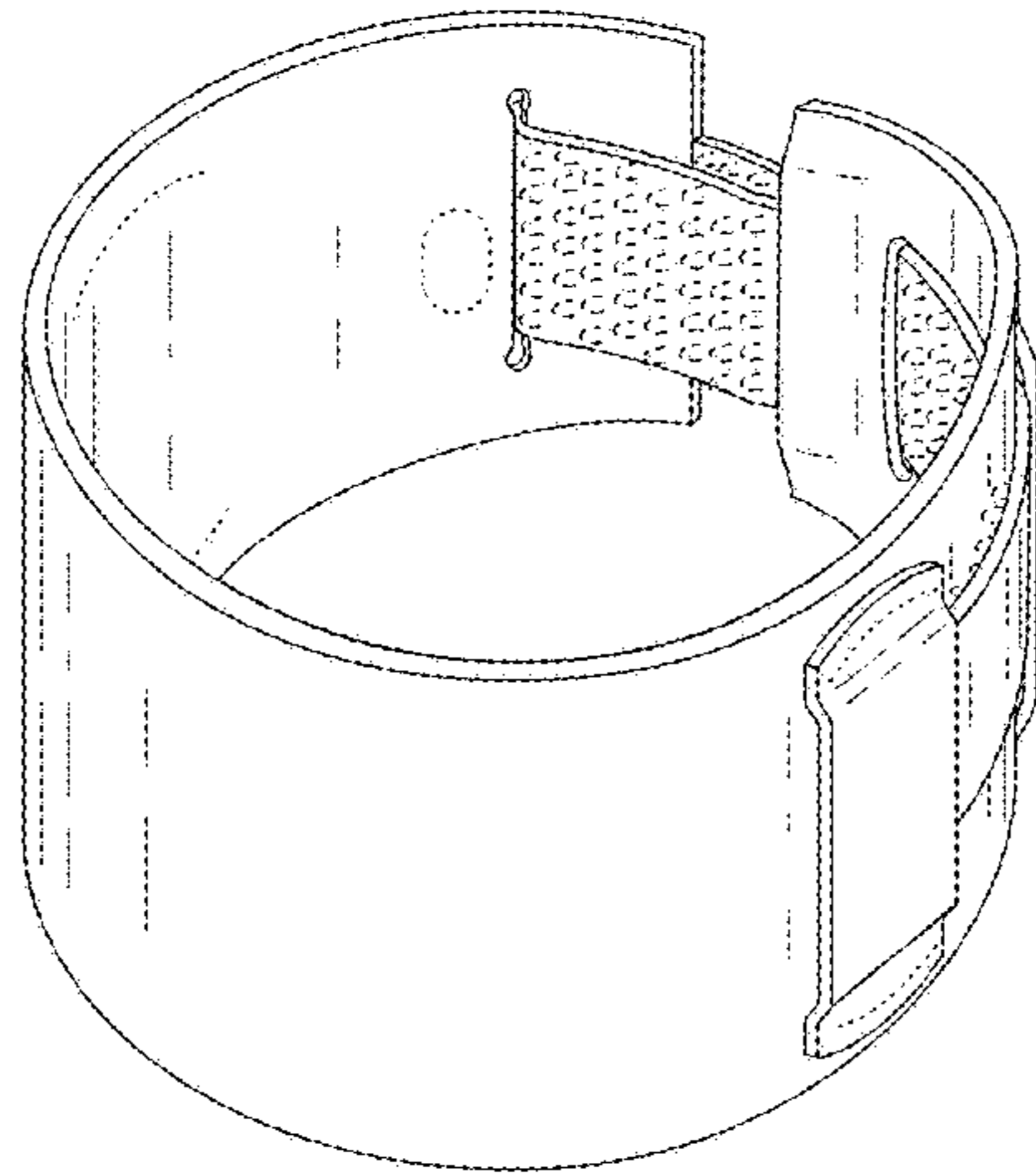
Fig. 5



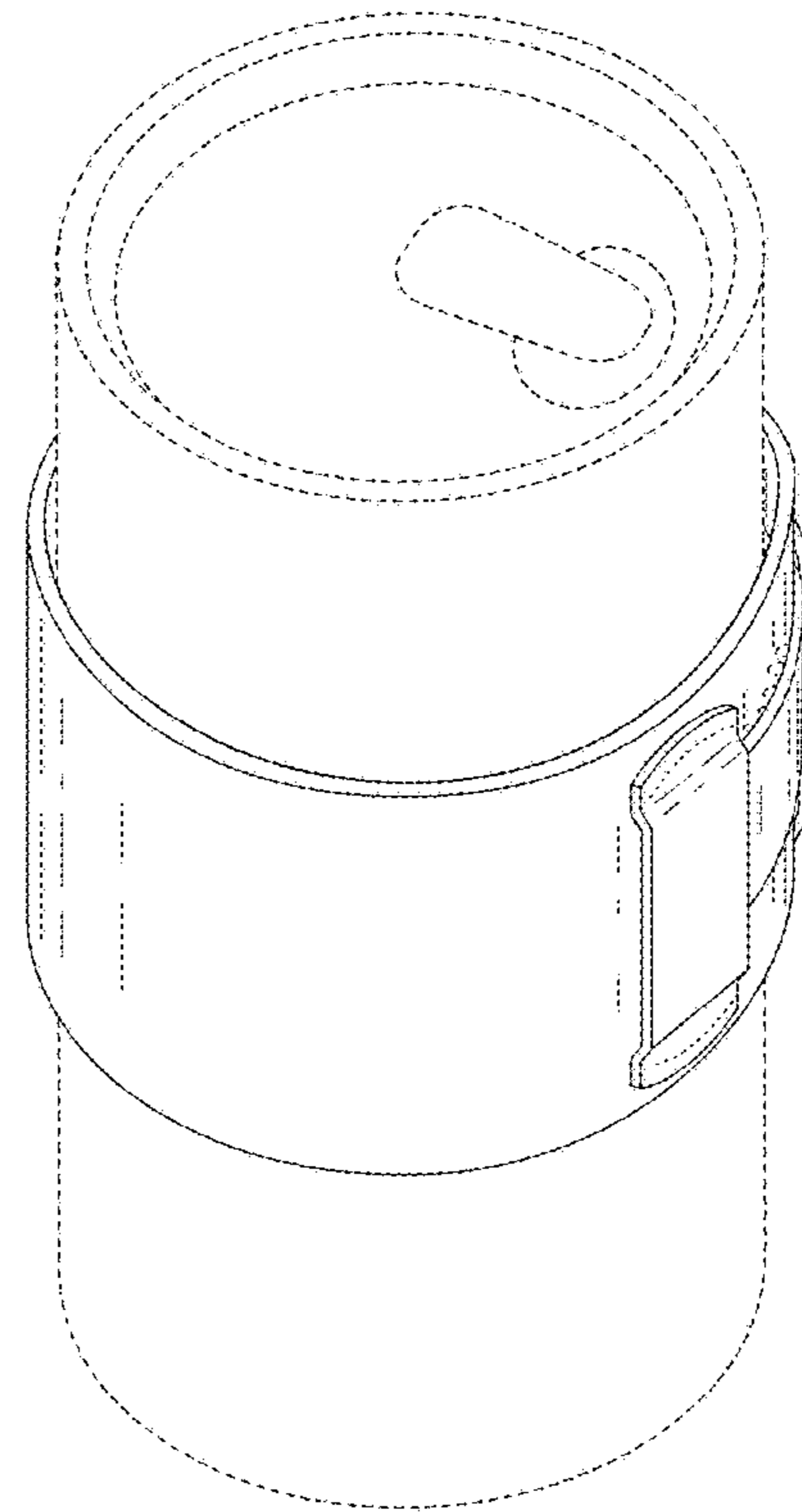
*Fig. 6*



*Fig. 7*



*Fig. 8*



*Fig. 9*