



US00D856086S

(12) **United States Design Patent**
Goulet Dubois

(10) **Patent No.:** **US D856,086 S**

(45) **Date of Patent:** **** Aug. 13, 2019**

(54) **COFFEE MUG**

(71) Applicant: **Lifetime Brands, Inc.**, Garden City, NY (US)

(72) Inventor: **Elizabeth Goulet Dubois**, Hope, RI (US)

(73) Assignee: **Lifetime Brands, Inc.**, Garden City, NY (US)

(**) Term: **15 Years**

(21) Appl. No.: **29/633,226**

(22) Filed: **Jan. 12, 2018**

(51) **LOC (12) Cl.** **07-01**

(52) **U.S. Cl.**

USPC **D7/519**; D7/516; D9/611

(58) **Field of Classification Search**

USPC D7/514, 515, 516, 517, 519, 520, 625, D7/702, 573, 564, 567, 569, 556, 551.3, D7/544, 507, 506, 606; D9/611, 621

See application file for complete search history.

(56) **References Cited**

U.S. PATENT DOCUMENTS

D199,417 S * 10/1964 Katz D21/618
D358,301 S * 5/1995 Brown D7/510

D427,855 S * 7/2000 Baker D7/515
D649,835 S * 12/2011 Lim D7/516
D676,710 S * 2/2013 Kwok D7/544
D683,190 S * 5/2013 Shields D30/129
D683,592 S * 6/2013 Shields D30/129
D726,975 S * 4/2015 Kim D21/604
D815,365 S * 4/2018 Scariot D30/118
D831,432 S * 10/2018 Lv D7/606

* cited by examiner

Primary Examiner — Marianne N Pandozzi

(74) *Attorney, Agent, or Firm* — Tutunjian & Bitetto, P.C.

(57) **CLAIM**

The ornamental design for a coffee mug, as shown and described.

DESCRIPTION

FIG. 1 is a perspective view of the coffee mug showing my new design;

FIG. 2 is a front view thereof;

FIG. 3 is a right side view thereof, the left side view being a mirror image of the right side view;

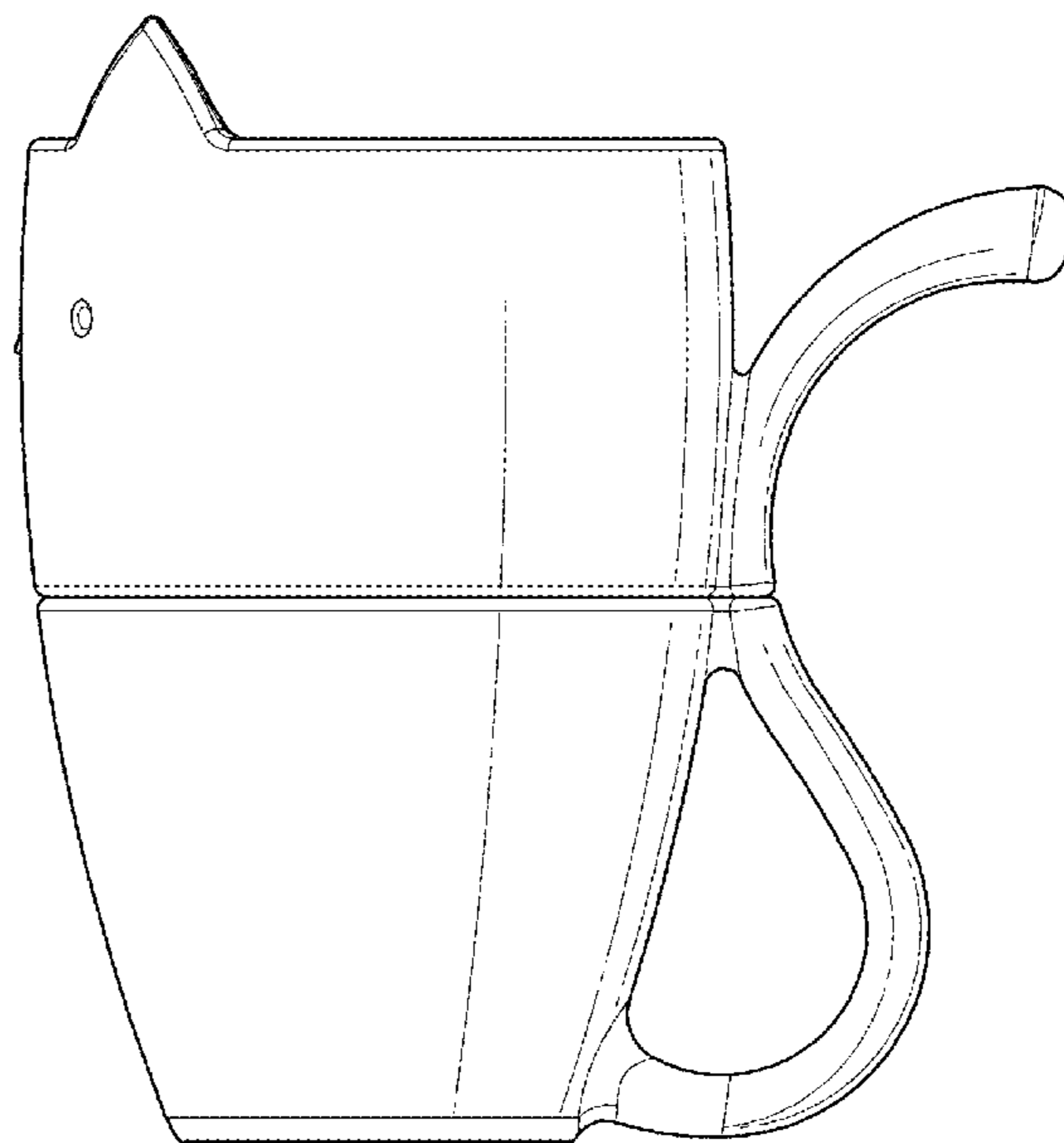
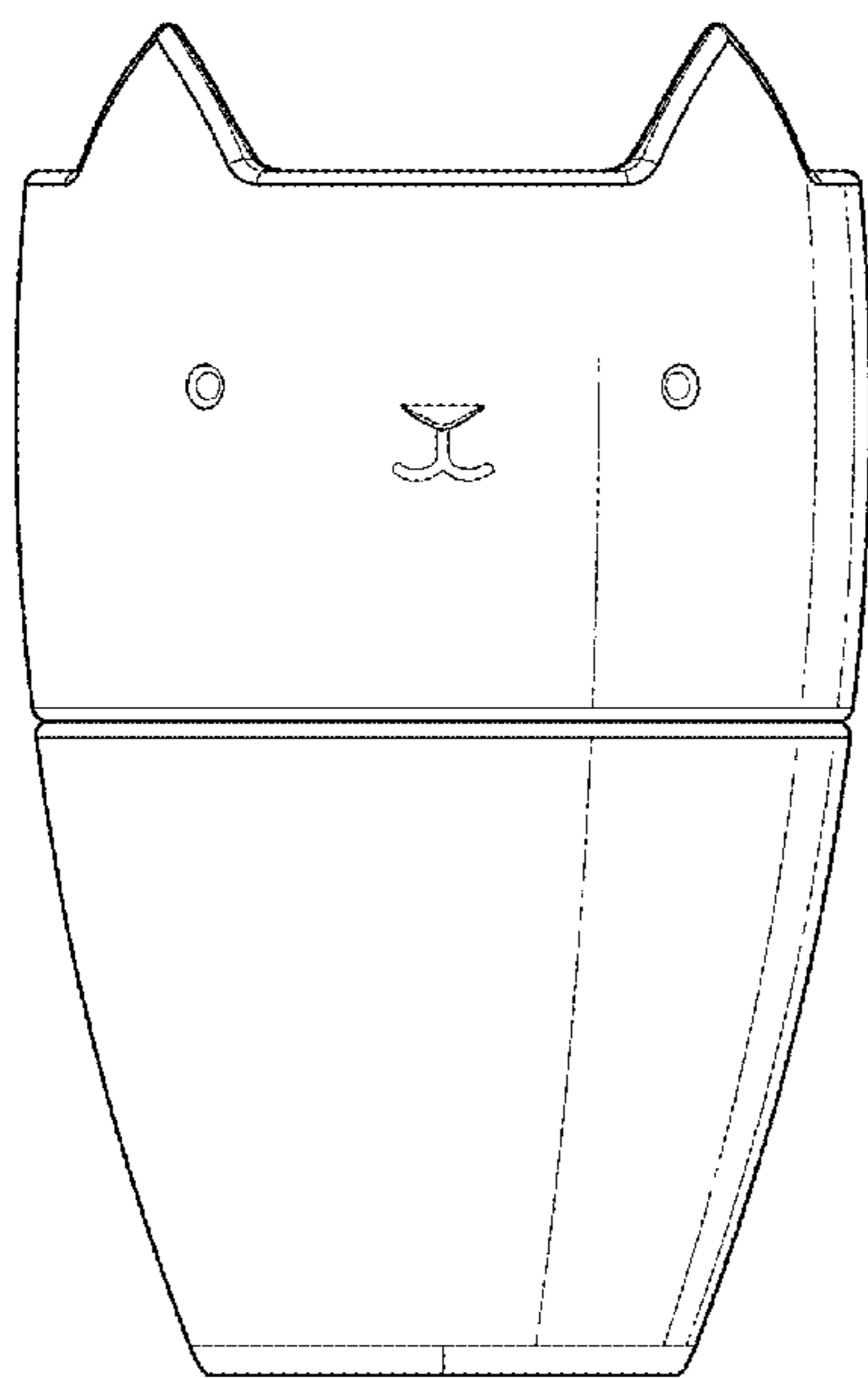
FIG. 4 is a rear view thereof;

FIG. 5 is a top view thereof;

FIG. 6 is a bottom view thereof; and,

FIG. 7 is a sectional view thereof taken along line 7-7 of FIG. 5.

1 Claim, 6 Drawing Sheets



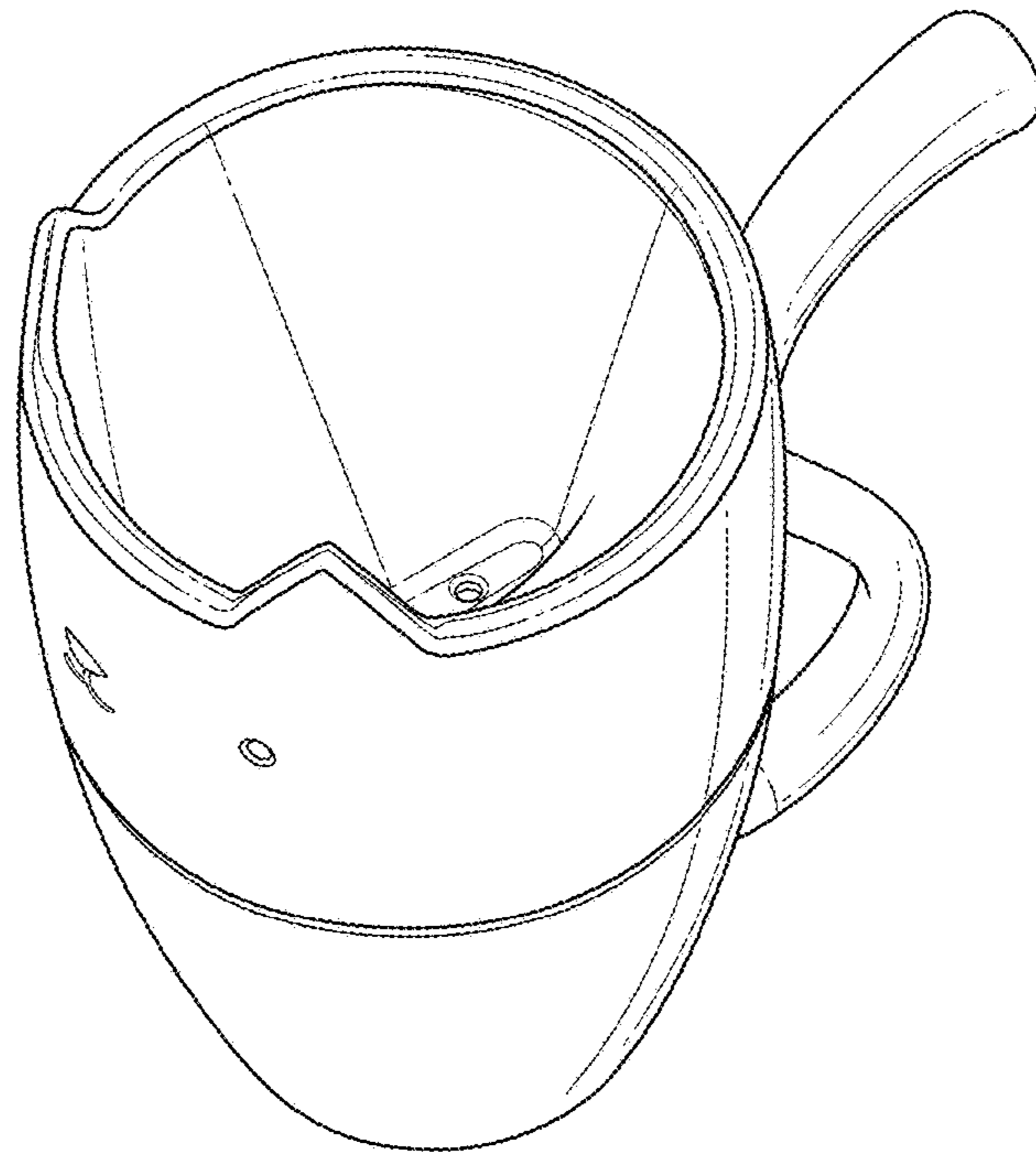


FIG. 1

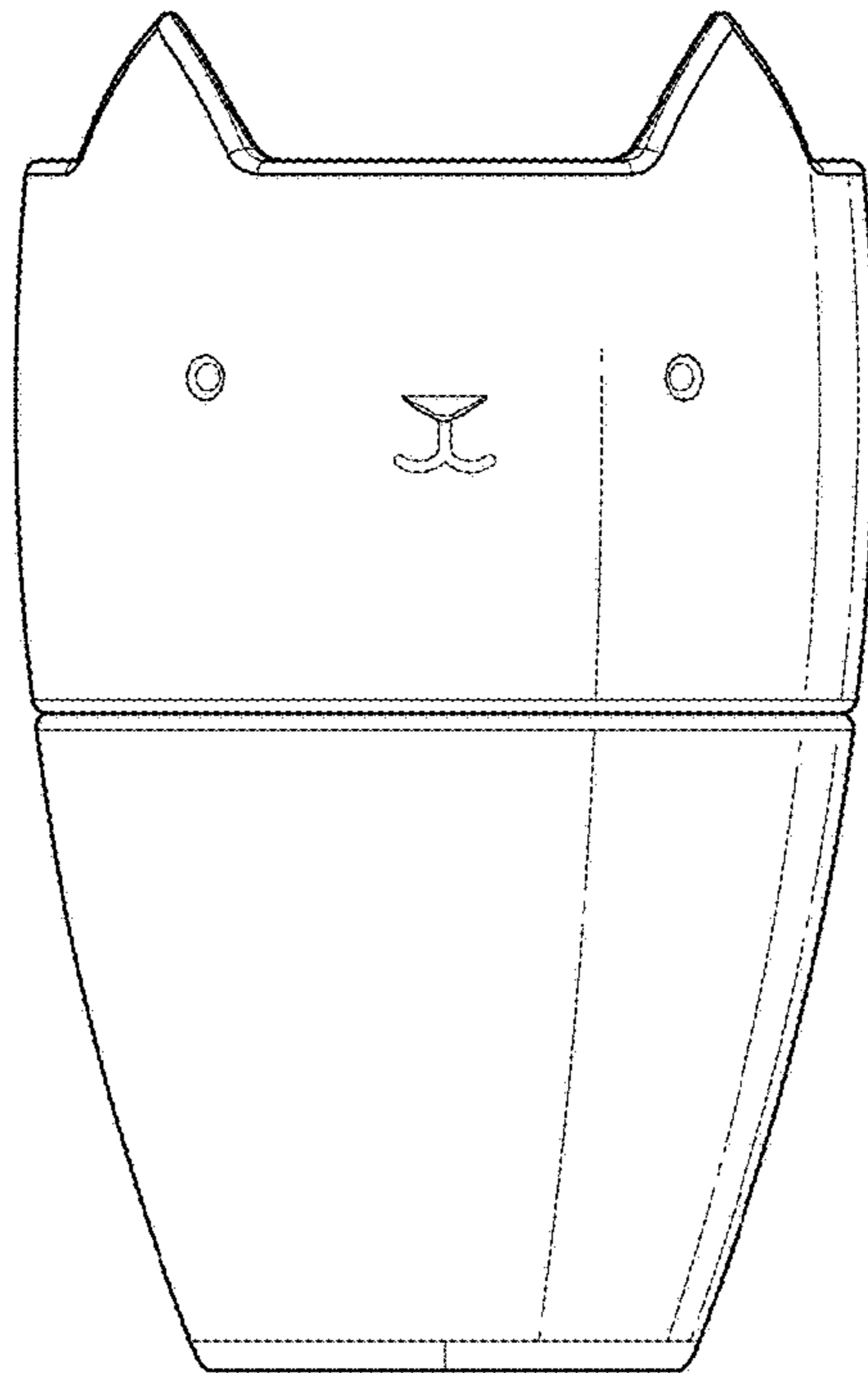


FIG. 2

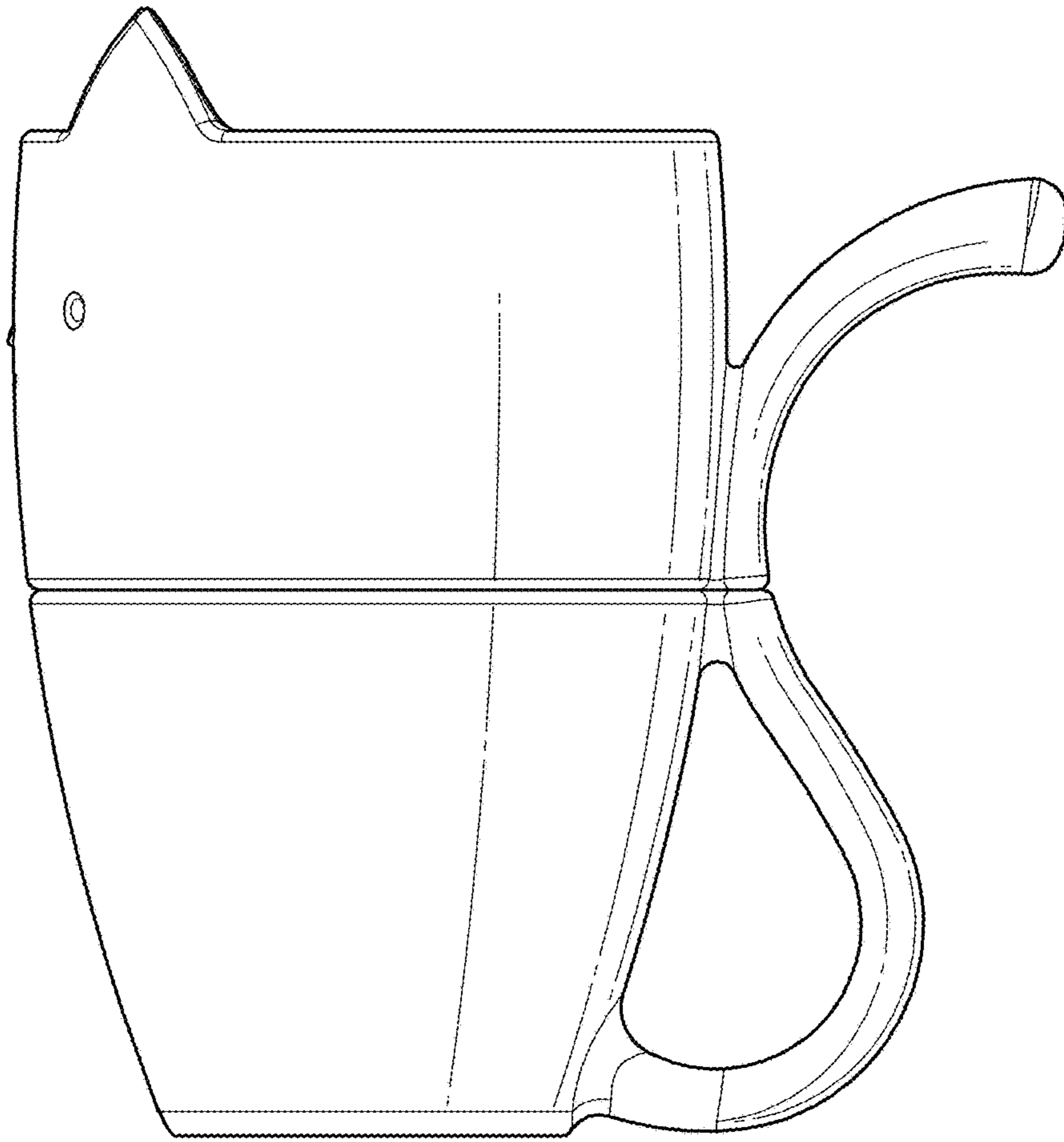


FIG. 3

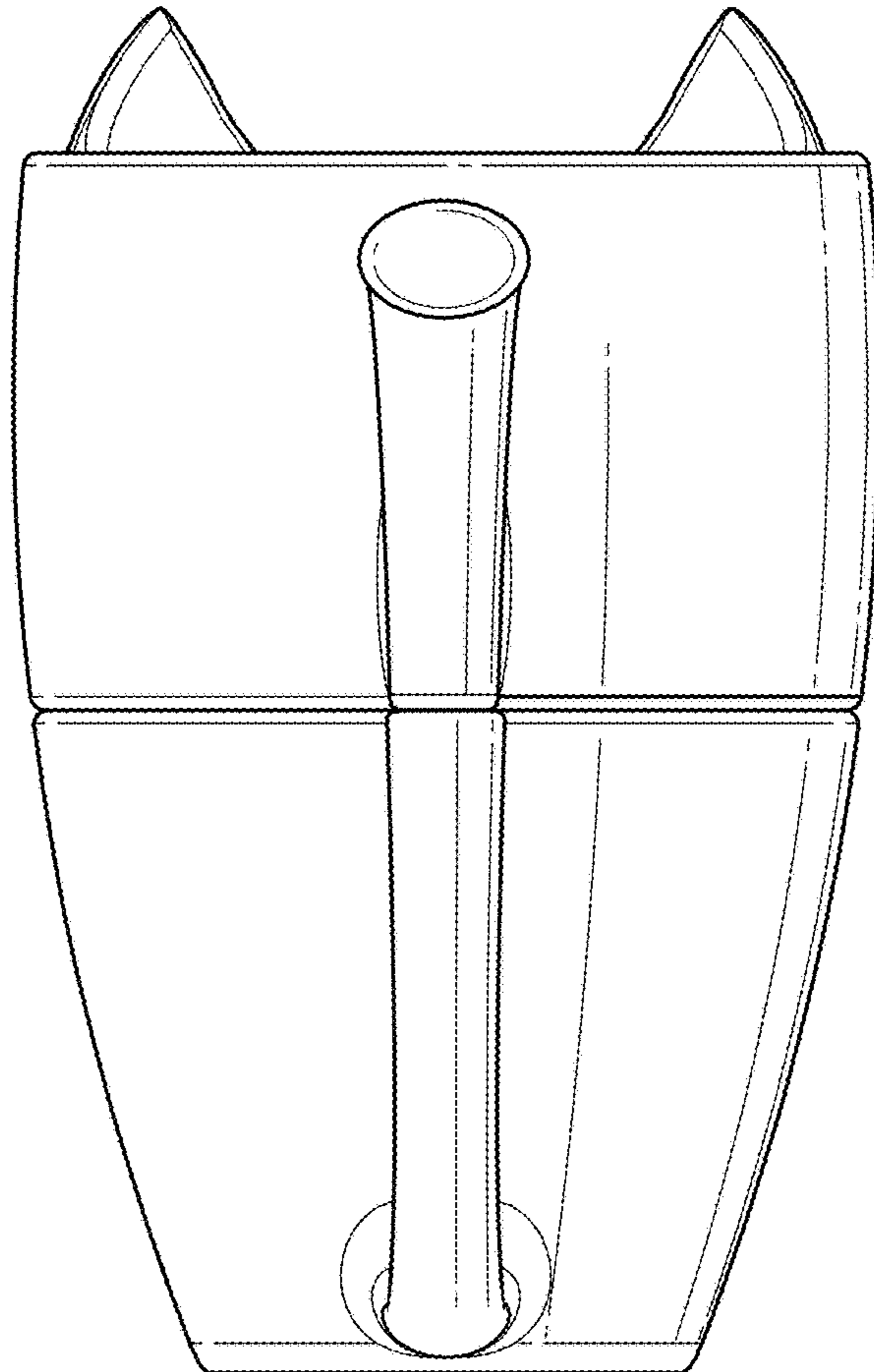


FIG. 4

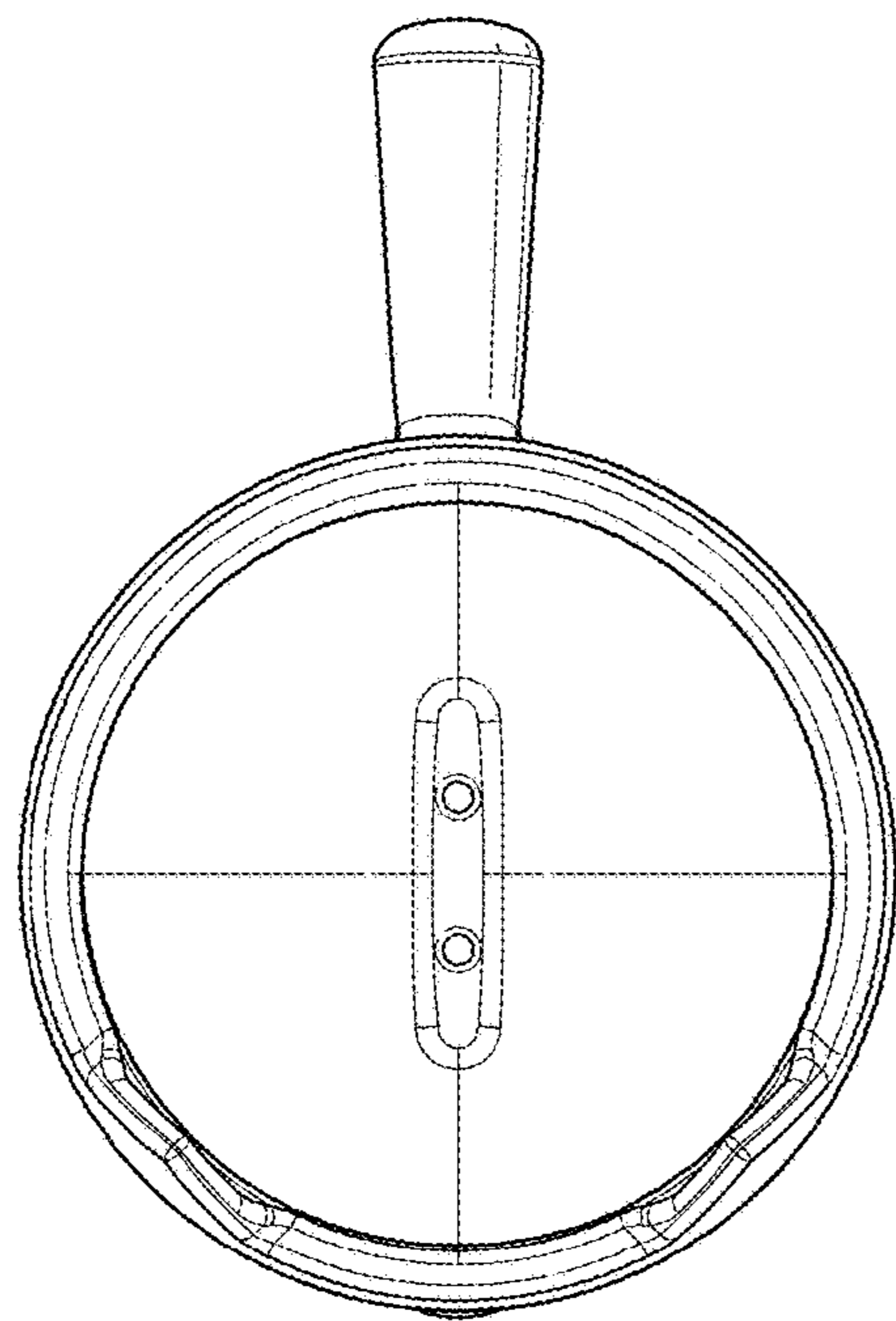


FIG. 5

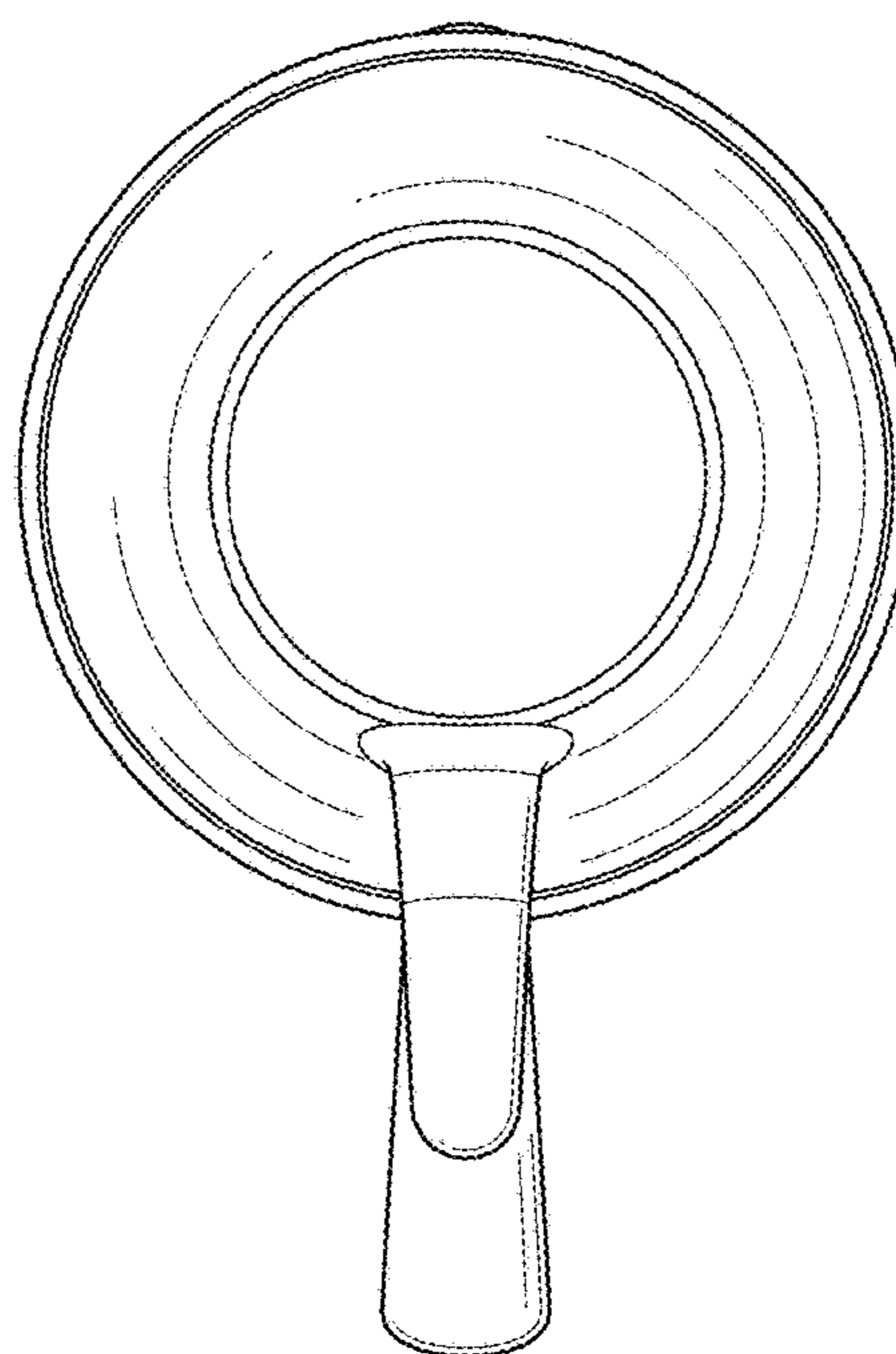


FIG. 6

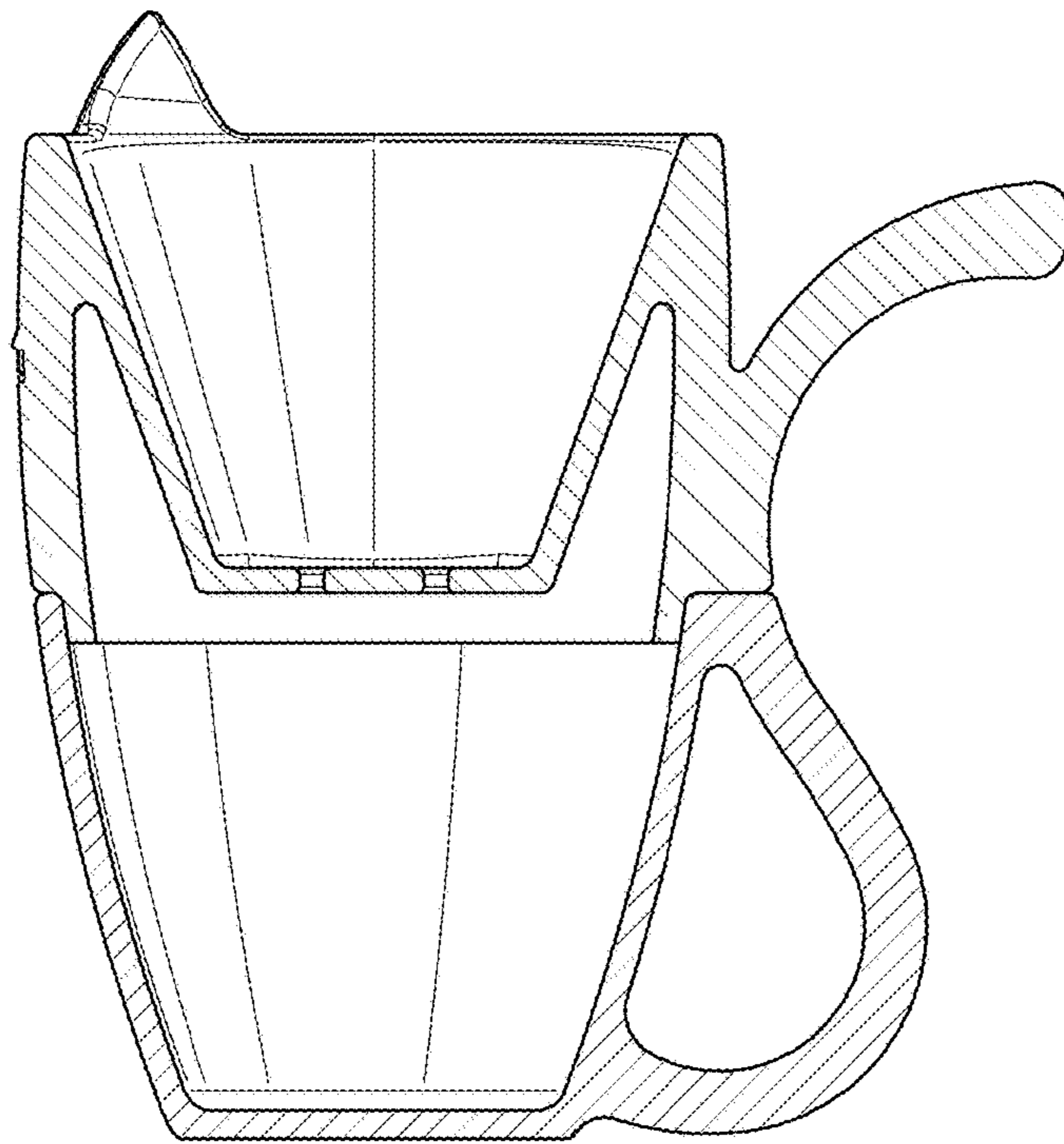


FIG. 7