



US00D856085S

(12) **United States Design Patent** (10) **Patent No.:** **US D856,085 S**
Archer (45) **Date of Patent:** **** Aug. 13, 2019**

(54) **ONE GALLON WATER BOTTLE**
(71) Applicant: **Virgil L. Archer**, Englewood, CO (US)
(72) Inventor: **Virgil L. Archer**, Englewood, CO (US)
(**) Term: **15 Years**
(21) Appl. No.: **29/615,499**
(22) Filed: **Aug. 29, 2017**
(51) **LOC (12) Cl.** **07-01**
(52) **U.S. Cl.**
USPC **D7/510; D7/511; D7/532; D9/531**
(58) **Field of Classification Search**
USPC D7/310, 312, 314, 315, 316, 317, 318,
D7/319, 320, 591, 592, 598, 600, 622,
D7/667, 668, 392, 392.1, 396.6, 503, 507,
D7/509, 510, 511, 514, 515, 522, 513,
D7/523, 533, 559, 535, 532, 403;
D9/500, 678, 669, 715, 719, 536, 528,
D9/531, 534, 435, 440, 443; 215/380,
215/382, 398, 396; 220/495.03, 23, 494;
206/217; 229/400, 402, 404
CPC A47J 31/14; A47J 36/14; A47J 31/005;
A47J 31/00; A47G 19/14; A47G 19/2272
See application file for complete search history.

D474,692 S * 5/2003 Yu D9/531
D487,701 S * 3/2004 Thibodeau D9/531
6,910,596 B2 * 6/2005 Herckner B29C 49/04
215/398
D512,874 S * 12/2005 Poulson D7/510
D529,338 S * 10/2006 Poulson D7/510
D531,512 S * 11/2006 Yu D9/531
D555,978 S * 11/2007 Falkenstein D7/510
D563,791 S * 3/2008 Kleckauskas D9/531
D646,045 S * 9/2011 Stamper D99/35
D650,629 S * 12/2011 Gilbert D7/392.1
D651,854 S * 1/2012 Cabados D7/510
D719,028 S * 12/2014 Tiet D9/531
D726,018 S * 4/2015 Archer D9/446
D741,656 S * 10/2015 Tello B42D 25/22
D7/510
D750,434 S * 3/2016 Kirkpatrick D7/510

(Continued)

Primary Examiner — Marianne N Pandozzi
Assistant Examiner — Jae Liang
(74) *Attorney, Agent, or Firm* — Edwin H. Crabtree;
Ramon L. Pizarro

(57) **CLAIM**

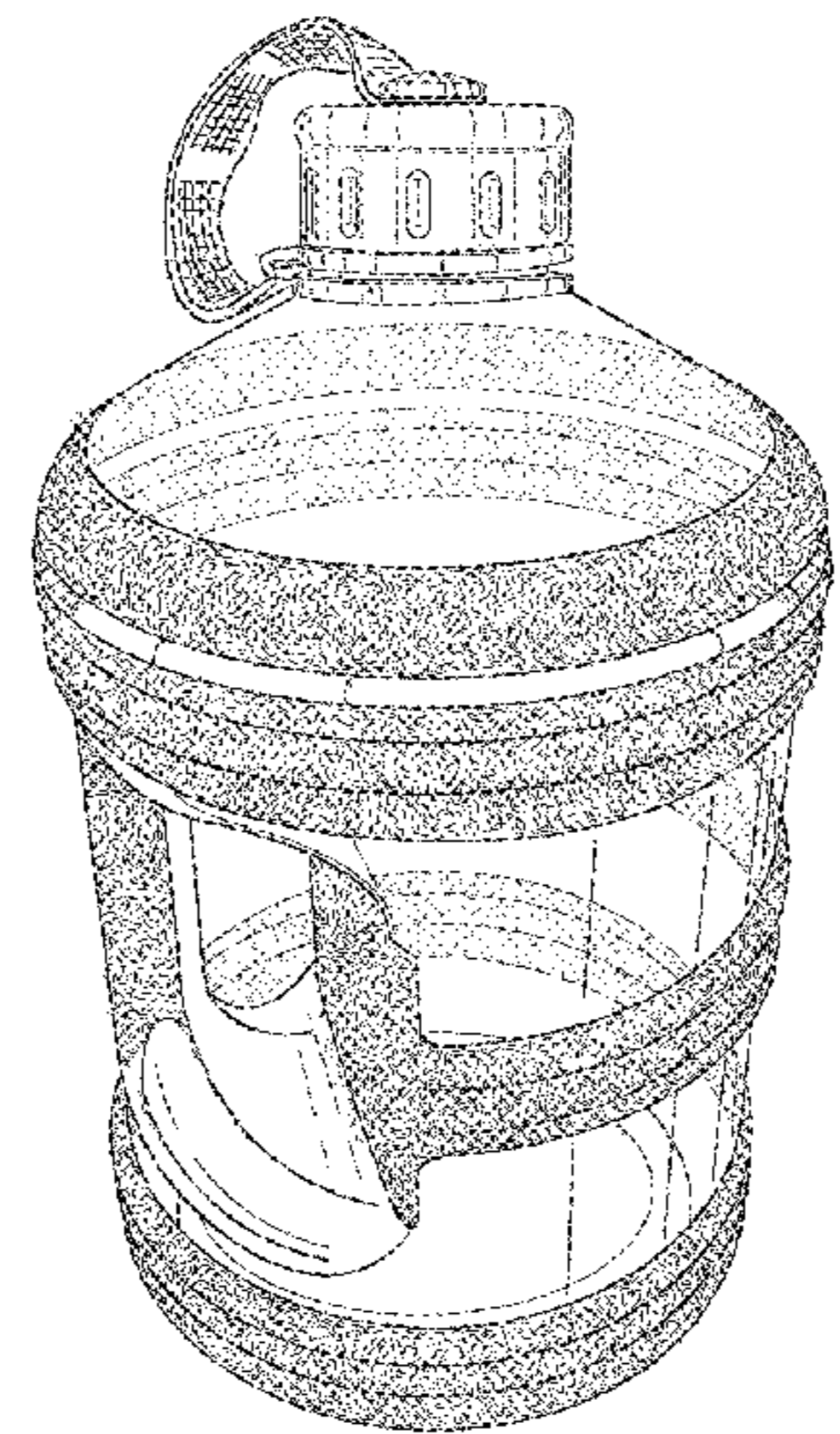
An ornamental design for a one gallon water bottle, as shown in the drawings and described in the specifications.

DESCRIPTION

FIG. 1 is a side perspective view of a one gallon water bottle showing my new design;
FIG. 2 is an opposite side perspective view of the one gallon water bottle;
FIG. 3 is a front perspective view of the one gallon water bottle;
FIG. 4 is a top view of the one gallon water bottle; and,
FIG. 5 is a bottom view of the one gallon water bottle.
The surface pattern in the drawings depicts contrast in appearance.

1 Claim, 2 Drawing Sheets

(56) **References Cited**
U.S. PATENT DOCUMENTS
D326,608 S * 6/1992 Frahm D9/500
D326,609 S * 6/1992 Stenger D9/502
D334,345 S * 3/1993 Wright D9/553
D361,039 S * 8/1995 Rokus D9/531
D397,942 S * 9/1998 Lewis D9/531
D411,802 S * 7/1999 Hestehave D9/500
D419,885 S * 2/2000 Gonzalez C. D9/531
D430,038 S * 8/2000 Young D9/549
D433,636 S * 11/2000 Gonzalez C. D9/531
6,446,830 B1 * 9/2002 Ocic A47G 19/2205
220/752
D471,457 S * 3/2003 Deichler D9/502



(56)

References Cited

U.S. PATENT DOCUMENTS

9,457,934 B1 * 10/2016 Kirkpatrick A47G 19/2266
D782,877 S * 4/2017 Cetera D7/510
D786,619 S * 5/2017 Joseph D7/510
D791,542 S * 7/2017 Miksovsky D7/510
D793,164 S * 8/2017 Charlton D7/510
D795,646 S * 8/2017 Sorensen D7/511
D799,269 S * 10/2017 Vargo D7/510
D805,846 S * 12/2017 Kirkpatrick D7/510
D810,574 S * 2/2018 Melkonian D9/531
D812,978 S * 3/2018 Swan D7/511
D815,908 S * 4/2018 Kauss D7/511
D816,410 S * 5/2018 Yu D7/510
D830,777 S * 10/2018 Meyers D7/536
D836,977 S * 1/2019 Sorensen D7/396.2
2006/0016819 A1 * 1/2006 Paslawski B65D 1/0292
220/666
2012/0318767 A1 * 12/2012 Burgess B65D 1/0207
215/40

* cited by examiner

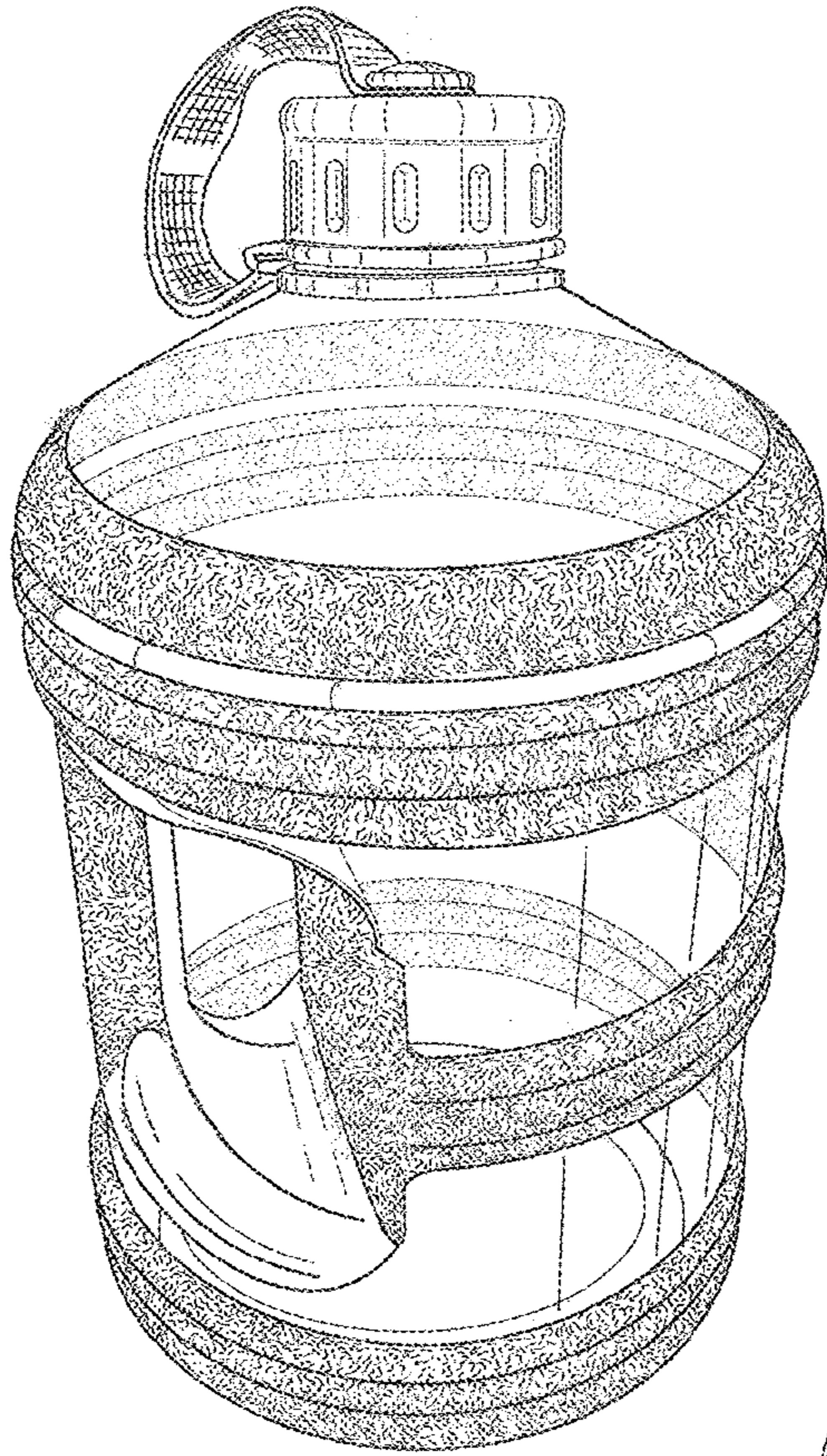


FIG. 1

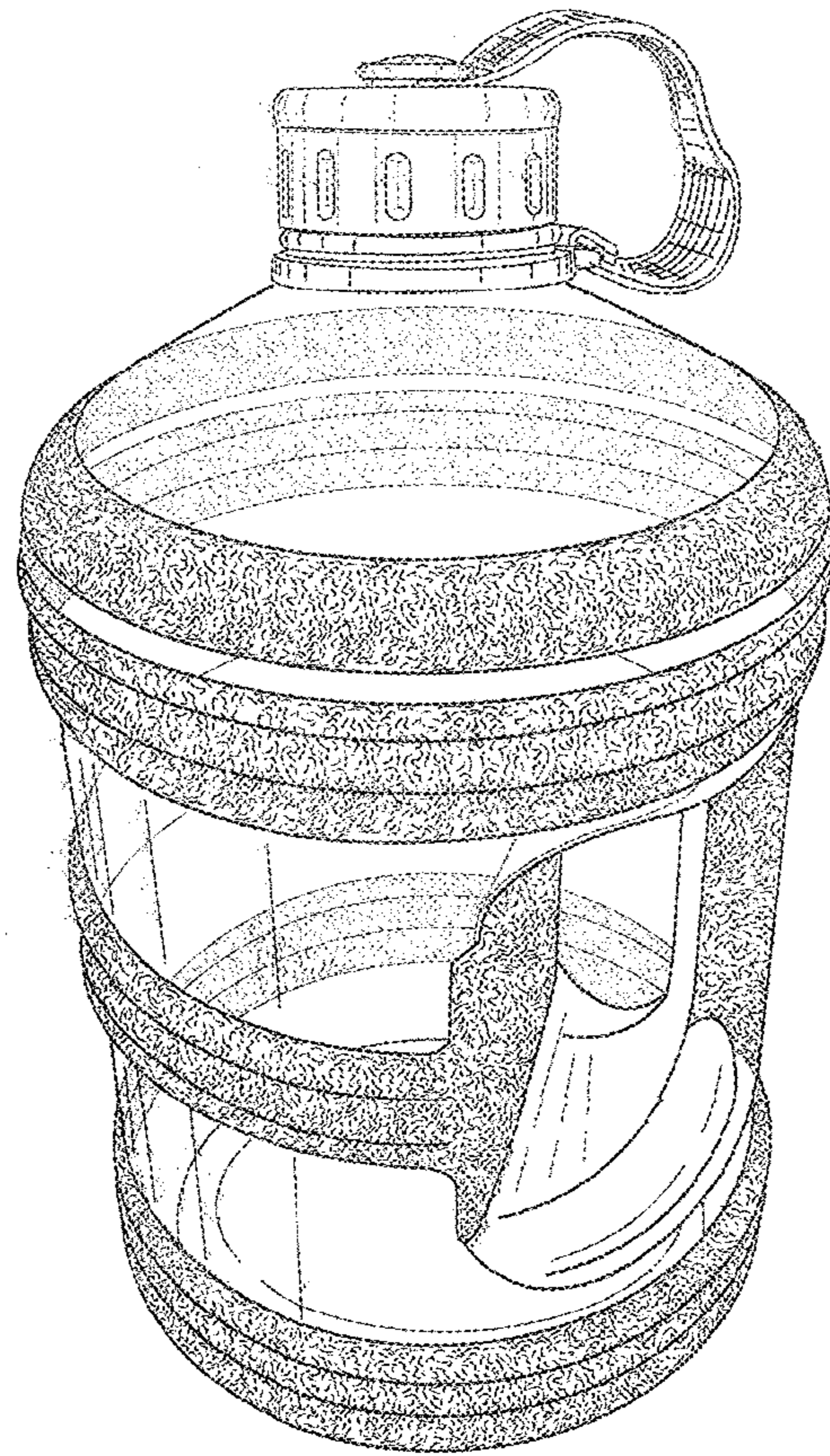


FIG. 2

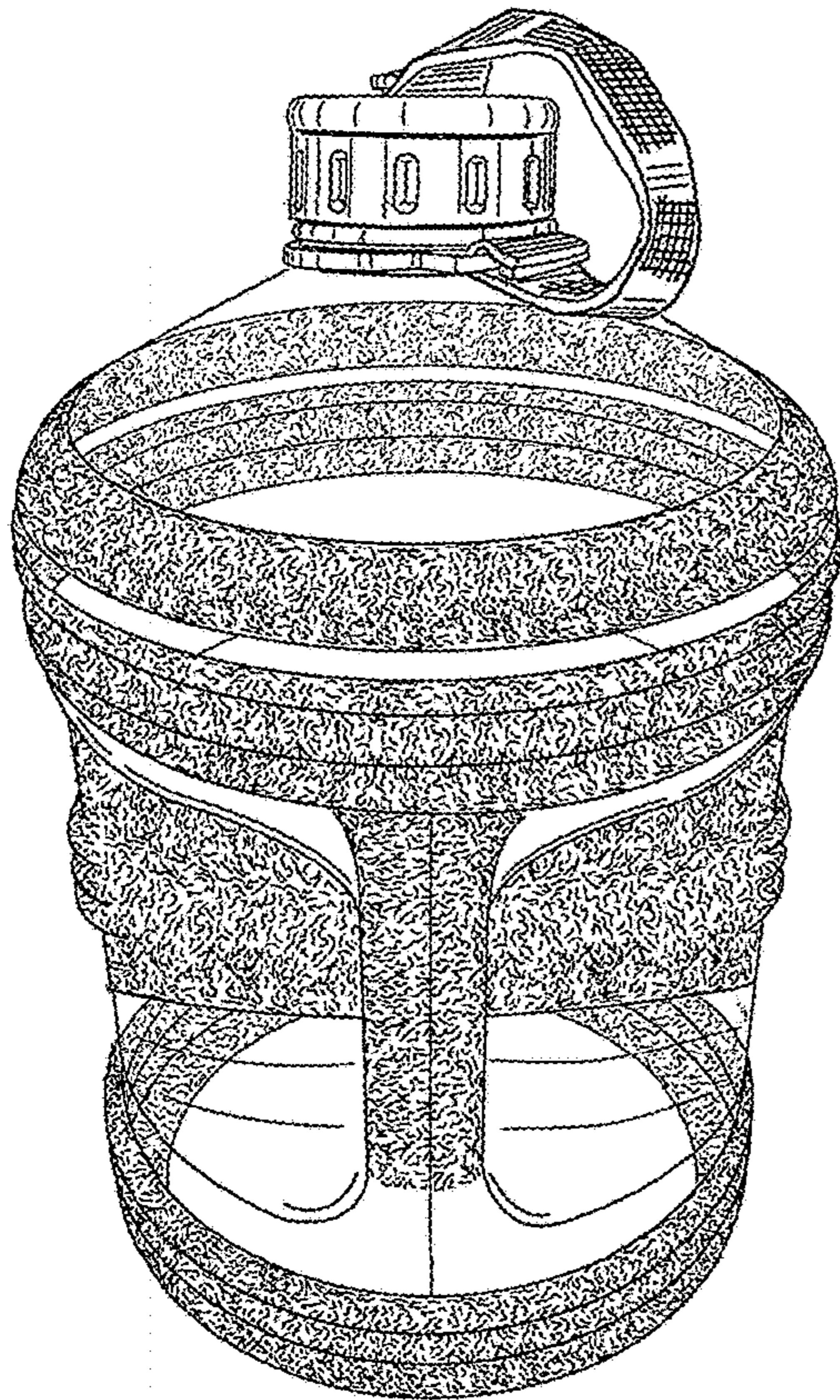


FIG. 3

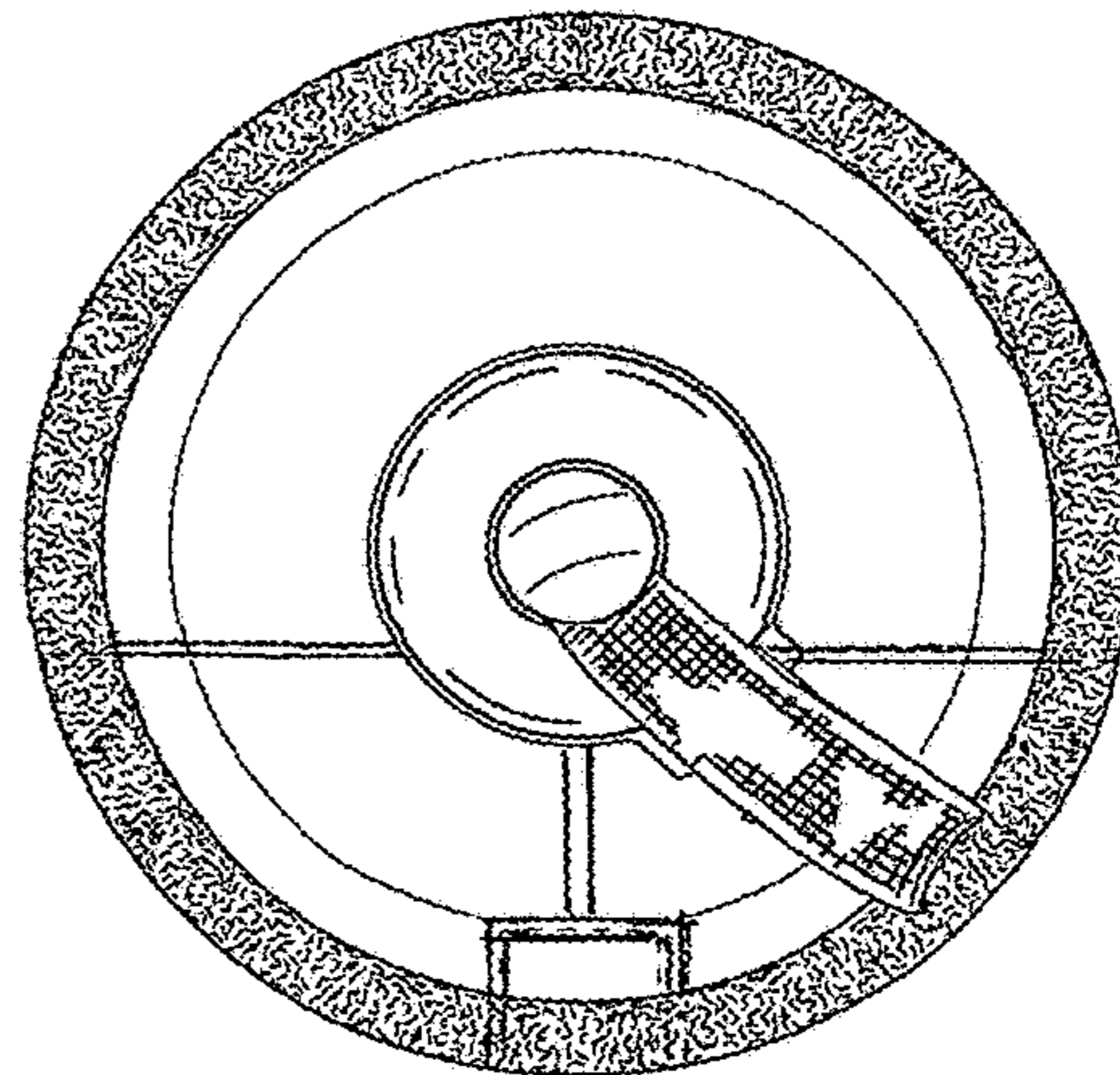


FIG. 4

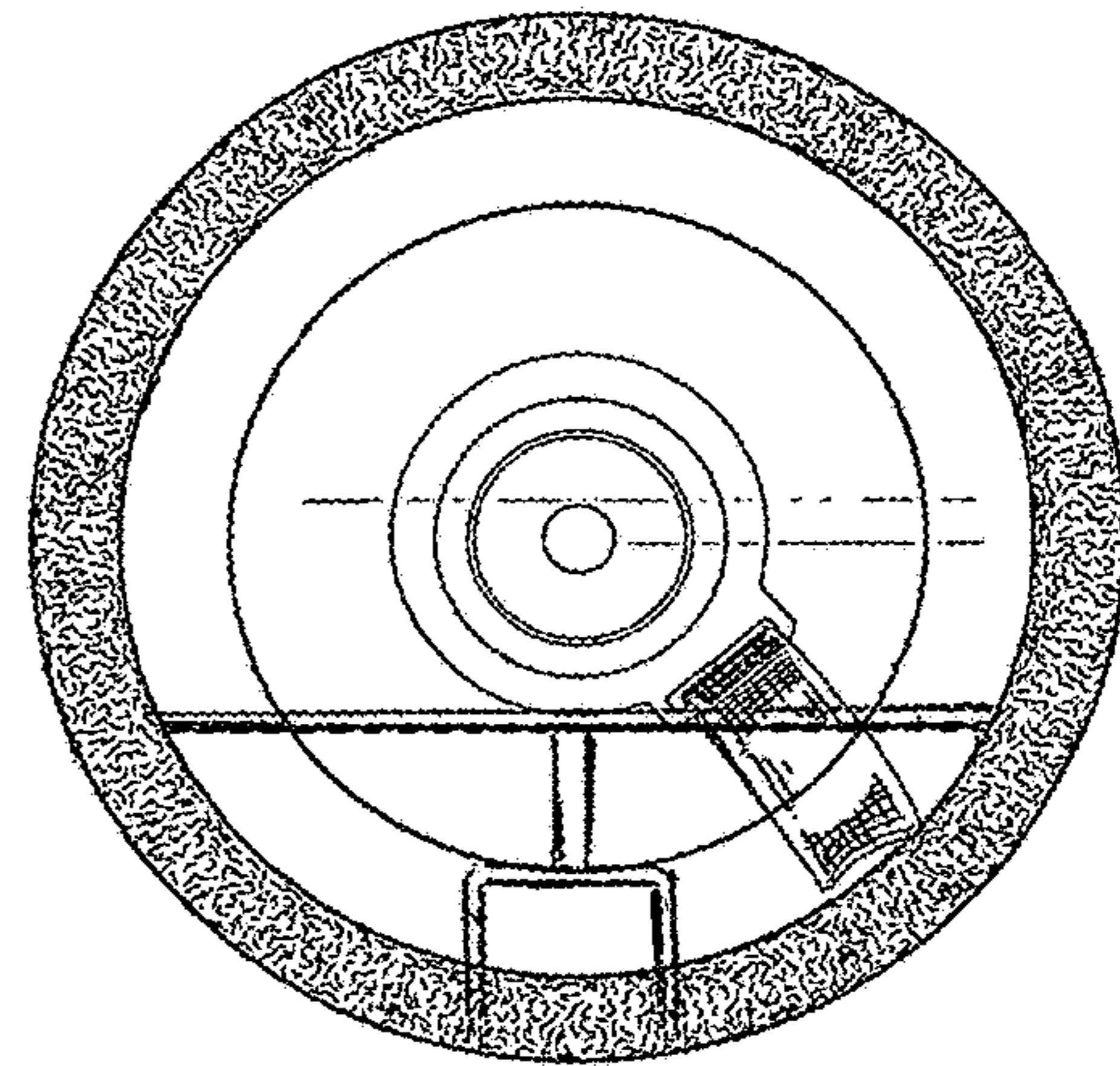


FIG. 5