



US00D856084S

(12) **United States Design Patent** (10) **Patent No.:** **US D856,084 S**
Valencia et al. (45) **Date of Patent:** **** Aug. 13, 2019**

(54) **FLUID CONTAINER**

(71) Applicant: **HIIT BOTTLE, LLC**, Aliso Viejo, CA (US)

(72) Inventors: **Christian Valencia**, Aliso Viejo, CA (US); **Hannah Pauline Valencia**, Aliso Viejo, CA (US)

(73) Assignee: **HIIT BOTTLE, LLC**, Aliso Viejo, CA (US)

(**) Term: **15 Years**

(21) Appl. No.: **29/582,893**

(22) Filed: **Oct. 31, 2016**

(51) **LOC (12) Cl.** **07-01**

(52) **U.S. Cl.**
USPC **D7/510; D7/511; D7/523**

(58) **Field of Classification Search**
USPC D7/507, 509, 510, 511, 523, 602, 305, D7/400, 397, 388, 529, 532, 392.1, 396.2, D7/667; D9/500, 501, 502; 220/592.16, 220/592.17
CPC A47G 19/22; A47G 19/2205; A47G 19/2266; A45F 3/16; A47J 43/27; A47J 41/02

See application file for complete search history.

(56) **References Cited**

U.S. PATENT DOCUMENTS

D190,512 S * 6/1961 Ayala 210/469
3,063,359 A * 11/1962 Brant A47J 31/02
99/287

(Continued)

OTHER PUBLICATIONS

Christian Valencia, HIIT Bottle, <https://www.kickstarter.com/projects/1696283364/hiit-bottle>, Mar. 19, 2015, in 12 pages. Provided copy retrieved from Internet Archive: Wayback Machine on Jan. 19,

2017, available at <https://web.archive.org/web/20150319070425/https://www.kickstarter.com/projects/1696283364/hiit-bottle>.

(Continued)

Primary Examiner — Marianne N Pandozzi

Assistant Examiner — Jae Liang

(74) *Attorney, Agent, or Firm* — Knobbe, Martens, Olson & Bear, LLP

(57) **CLAIM**

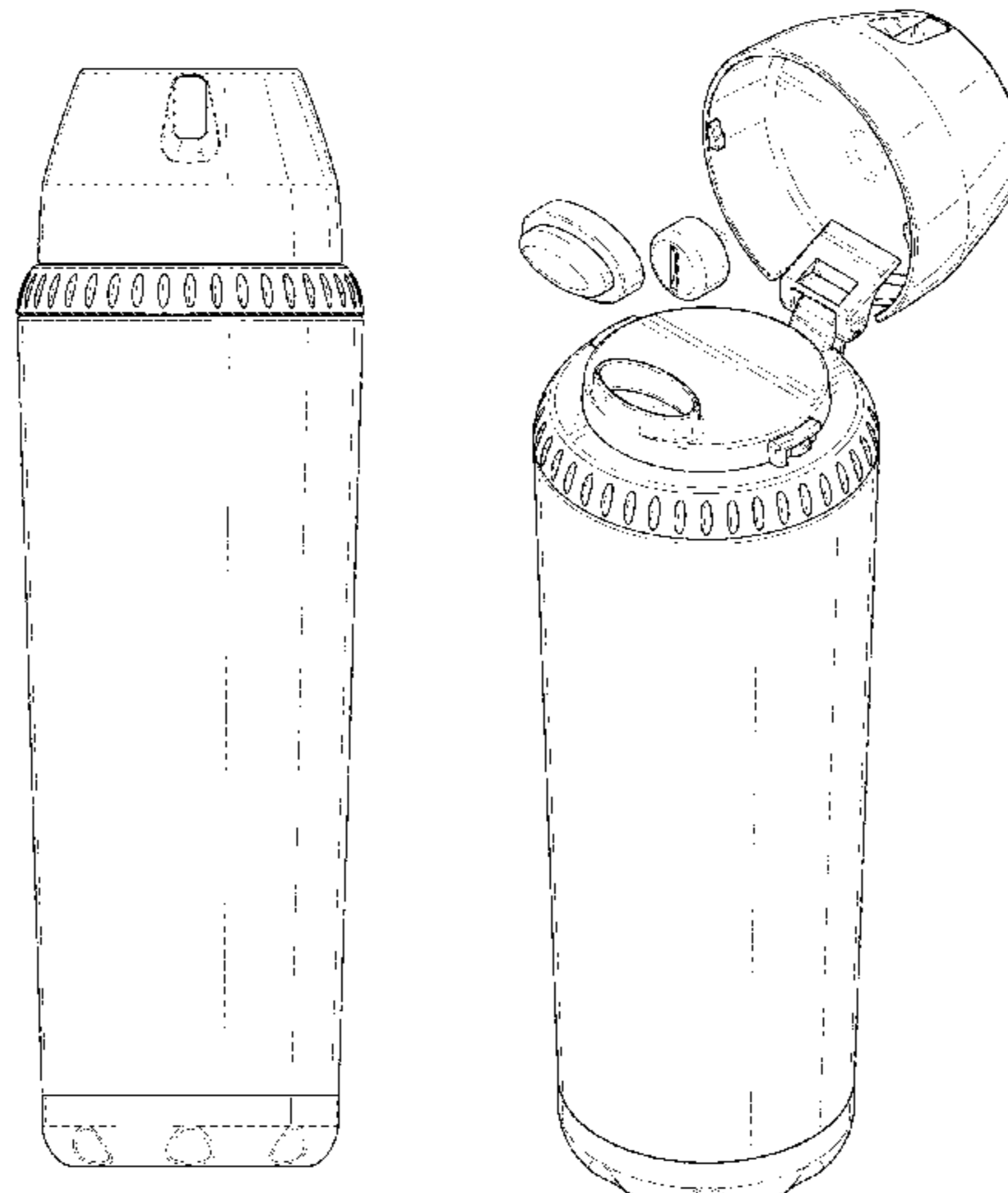
The ornamental design for a fluid container, as shown and described.

DESCRIPTION

FIG. 1 is a front, top, and side perspective view of a fluid container showing our new design;
FIG. 2 is a front view thereof;
FIG. 3 is a back view thereof;
FIG. 4 is a left side view thereof;
FIG. 5 is a right side view thereof;
FIG. 6 is a top view thereof;
FIG. 7 is a bottom view thereof;
FIG. 8 is a front, top, and side perspective view thereof, with the lid shown in an open position;
FIG. 9 is a front, top, and side perspective exploded view thereof, with the lid shown in an open position;
FIG. 10 is a front view thereof, with the lid shown in an open position;
FIG. 11 is a back view thereof, with the lid shown in an open position;
FIG. 12 is a left side view thereof, with the lid shown in an open position;
FIG. 13 is a right side view thereof, with the lid shown in an open position;
FIG. 14 is a top view thereof, with the lid shown in an open position; and,
FIG. 15 is a bottom view thereof, with the lid shown in an open position.

The broken lines in the drawings depict portions of the fluid container that form no part of the claimed design.

1 Claim, 13 Drawing Sheets



(56)

References Cited

U.S. PATENT DOCUMENTS

3,730,383 A * 5/1973 Dunn B21D 22/30
 220/606
 3,811,373 A * 5/1974 Telco B65D 85/8043
 99/295
 5,337,918 A * 8/1994 Wang A47G 19/2266
 215/229
 D371,304 S * 7/1996 Onneweer D7/511
 D373,291 S * 9/1996 Auker D7/667
 D420,864 S * 2/2000 Kenney D7/667
 D455,054 S * 4/2002 Moench D7/400
 6,379,032 B1 4/2002 Sorensen
 D558,532 S * 1/2008 Peterson D7/615
 D619,417 S * 7/2010 Goto D7/510
 D632,133 S * 2/2011 Giraud D7/510
 D633,347 S * 3/2011 Boris A23L 7/161
 D7/667
 D641,216 S * 7/2011 Chen D7/667
 D649,415 S * 11/2011 Williams D7/667
 D663,038 S * 7/2012 Enghard D24/197
 D666,086 S * 8/2012 Mundhra D7/667
 D686,871 S * 7/2013 Lane D7/392.1

D695,066 S * 12/2013 Nakajima D23/261
 D729,584 S * 5/2015 Weston D7/510
 D741,647 S * 10/2015 Boczkowski D7/399
 D750,449 S * 3/2016 Kostler D7/667
 D769,719 S * 10/2016 Lebon D9/500
 9,622,605 B2 * 4/2017 Buck A47G 19/2205
 D795,643 S * 8/2017 Barlow D7/510
 2011/0062170 A1 * 3/2011 Kemper A47G 19/2266
 220/708
 2015/0232232 A1 * 8/2015 Shibuki B65D 25/14
 220/592.16
 2016/0206155 A1 * 7/2016 Shaw A47J 43/27
 2016/0345780 A1 * 12/2016 Hatfield A47J 43/27

OTHER PUBLICATIONS

HIIT Bottle, Images from webpage titled Specs & Features, available at <https://hiitbottle.com/specs>, in 12 pages. The “publication date” for this reference is not readily available. Applicant requests that the Examiner review the reference as prior art. Applicant reserves the right to disqualify the reference as prior art if needed.

* cited by examiner

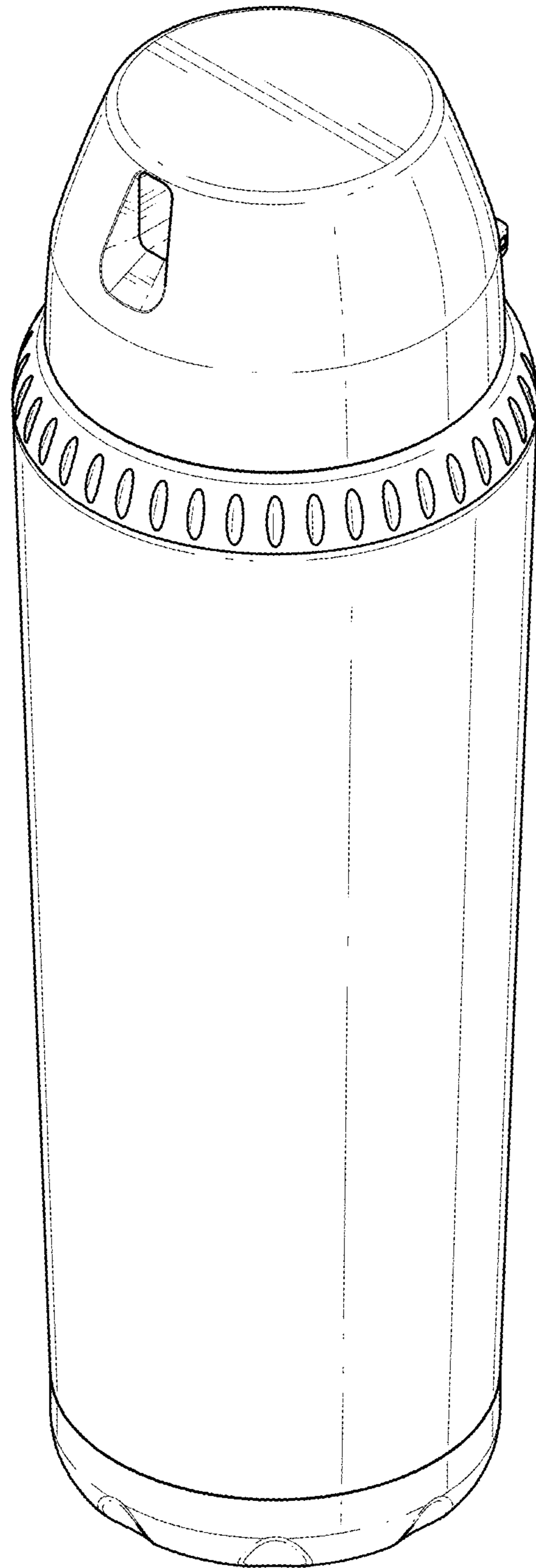


FIG. 1

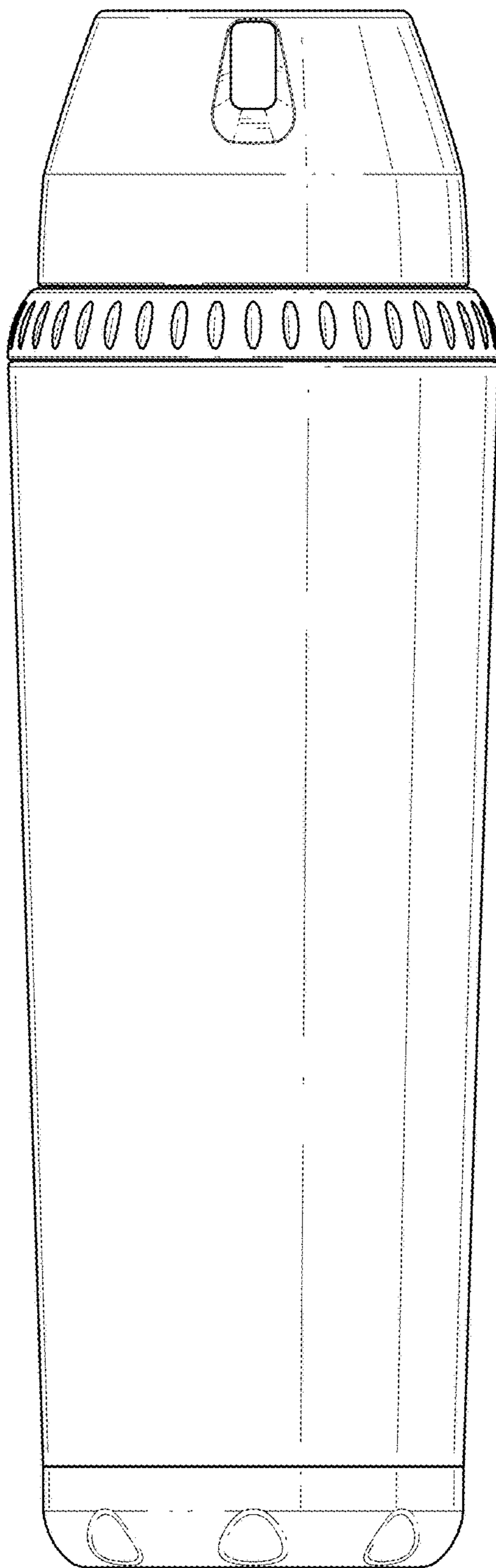


FIG. 2

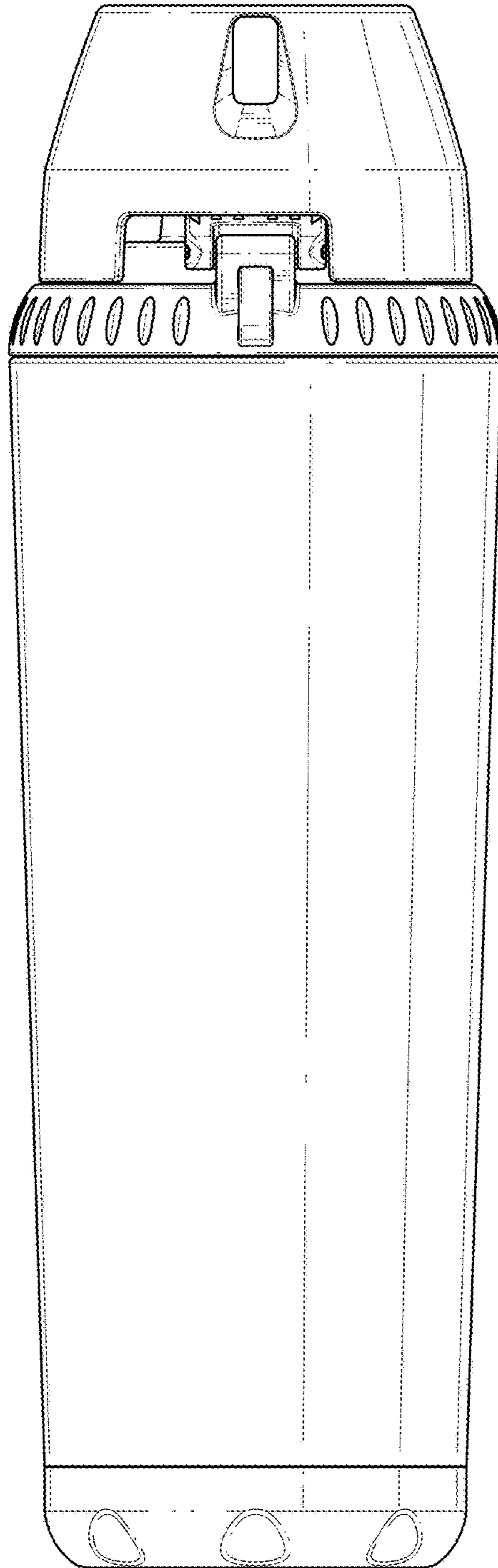


FIG. 3

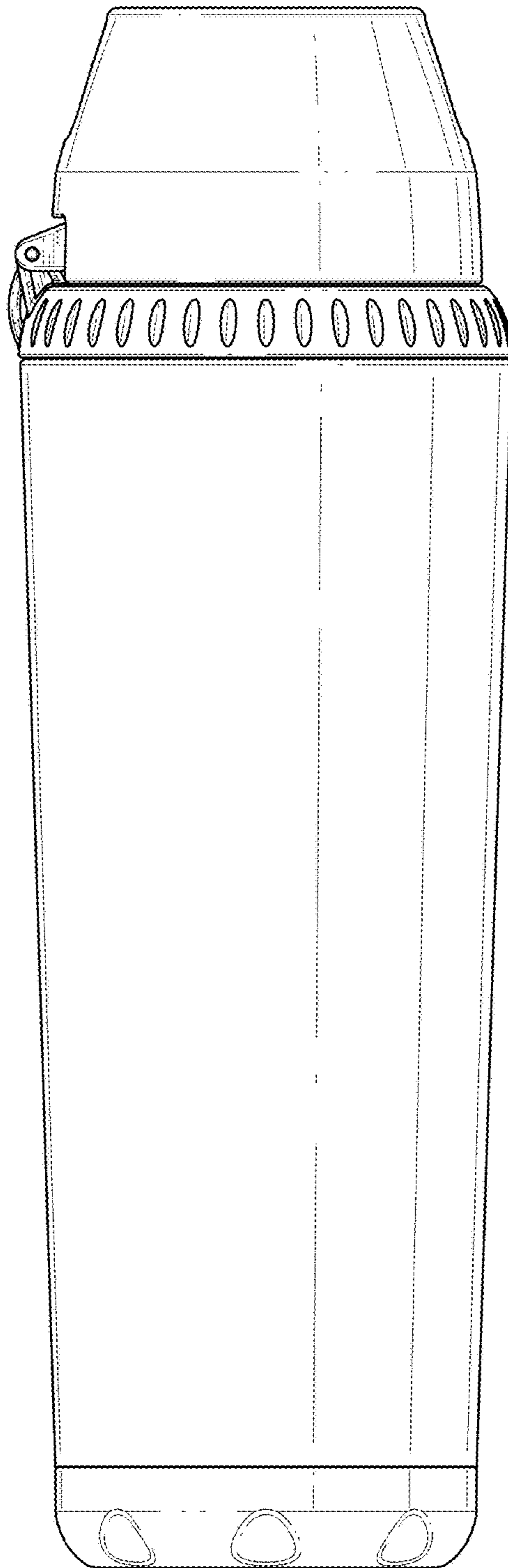


FIG. 4

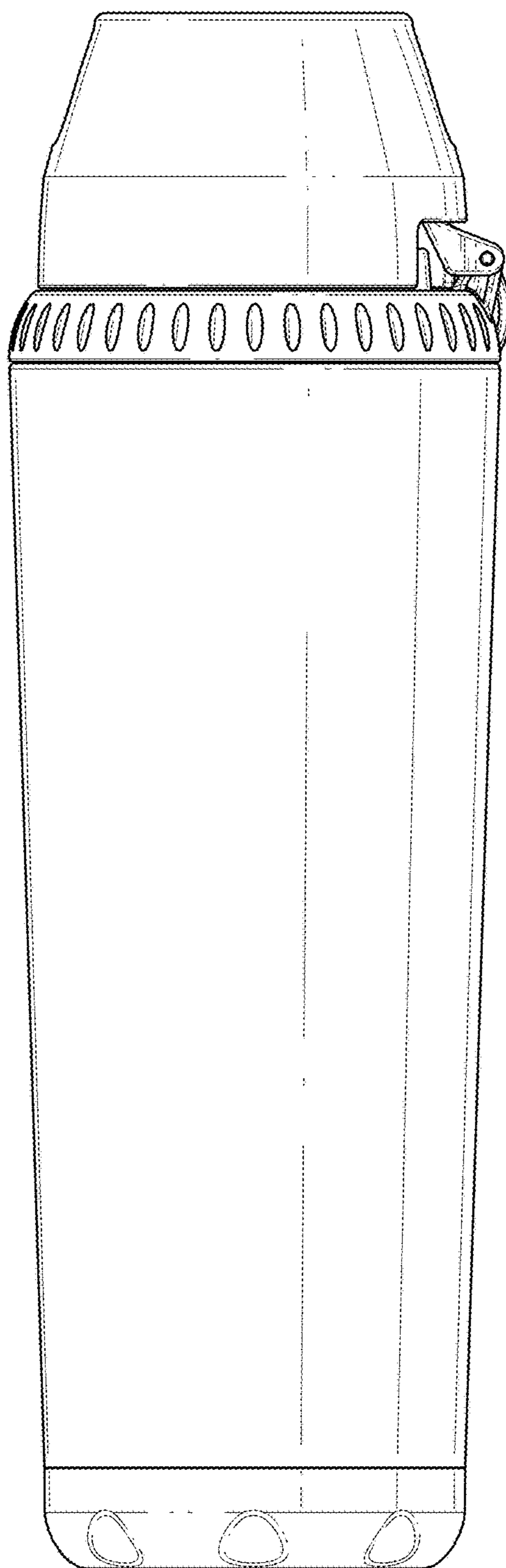


FIG. 5

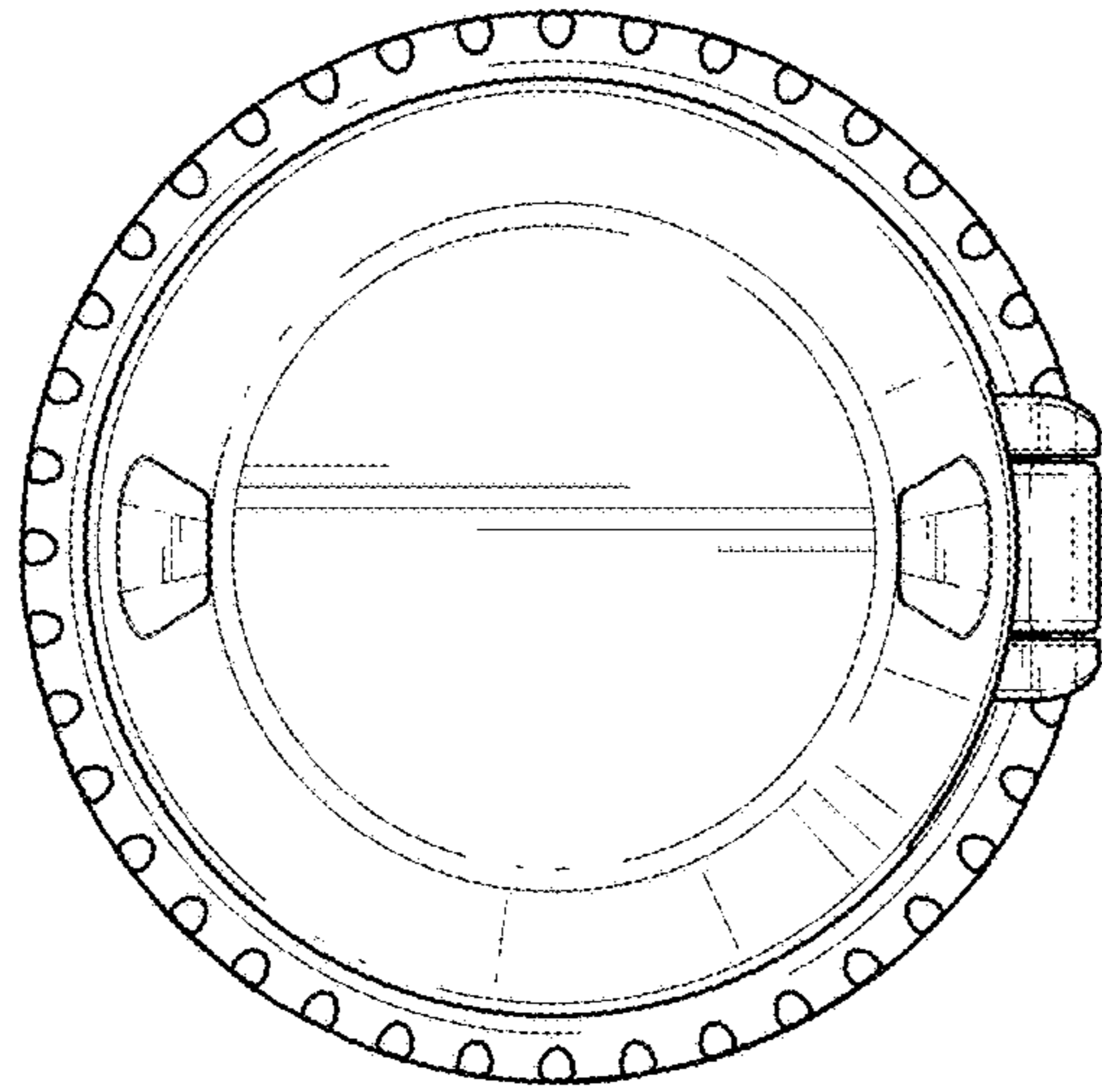


FIG. 6

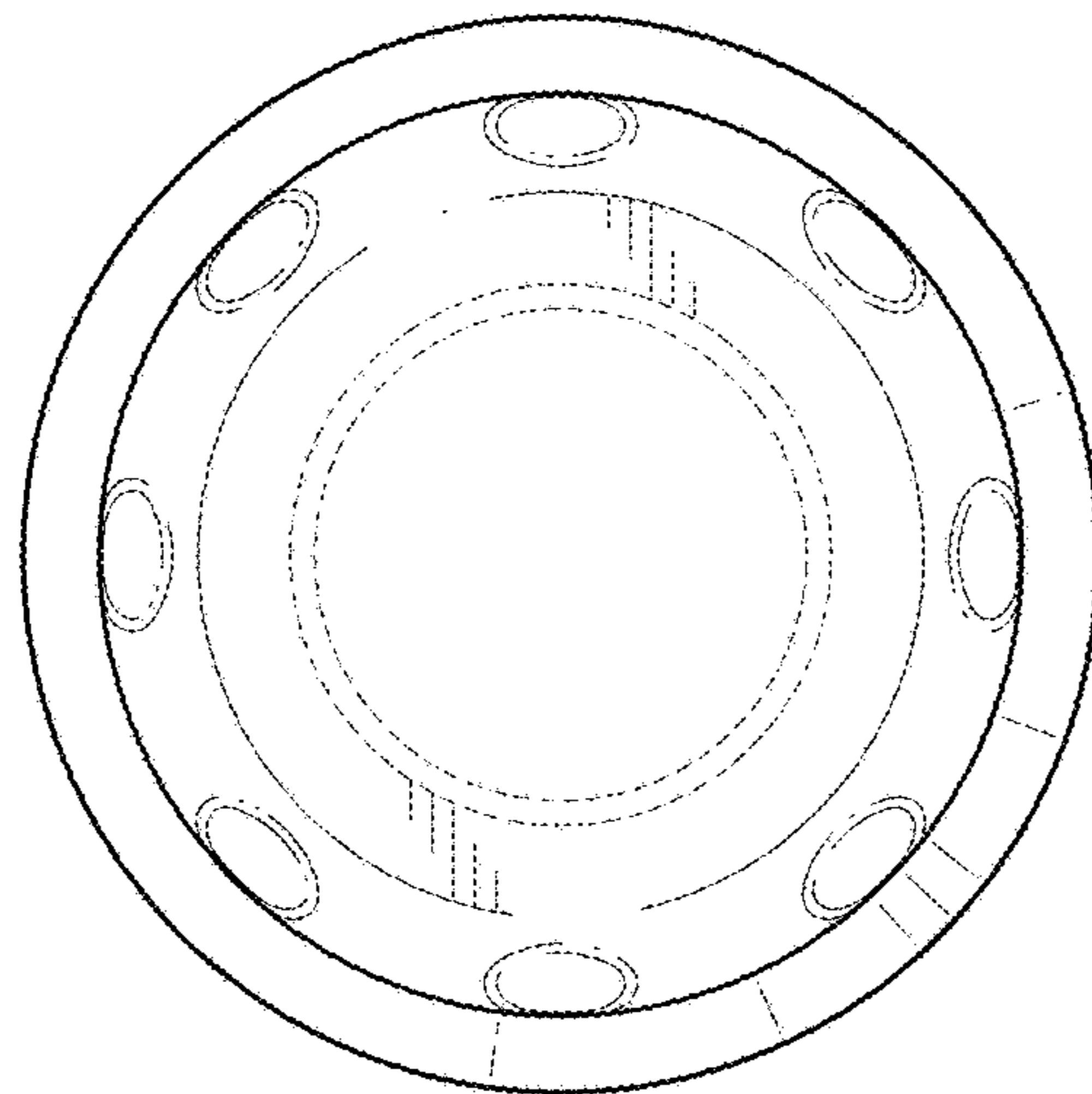


FIG. 7

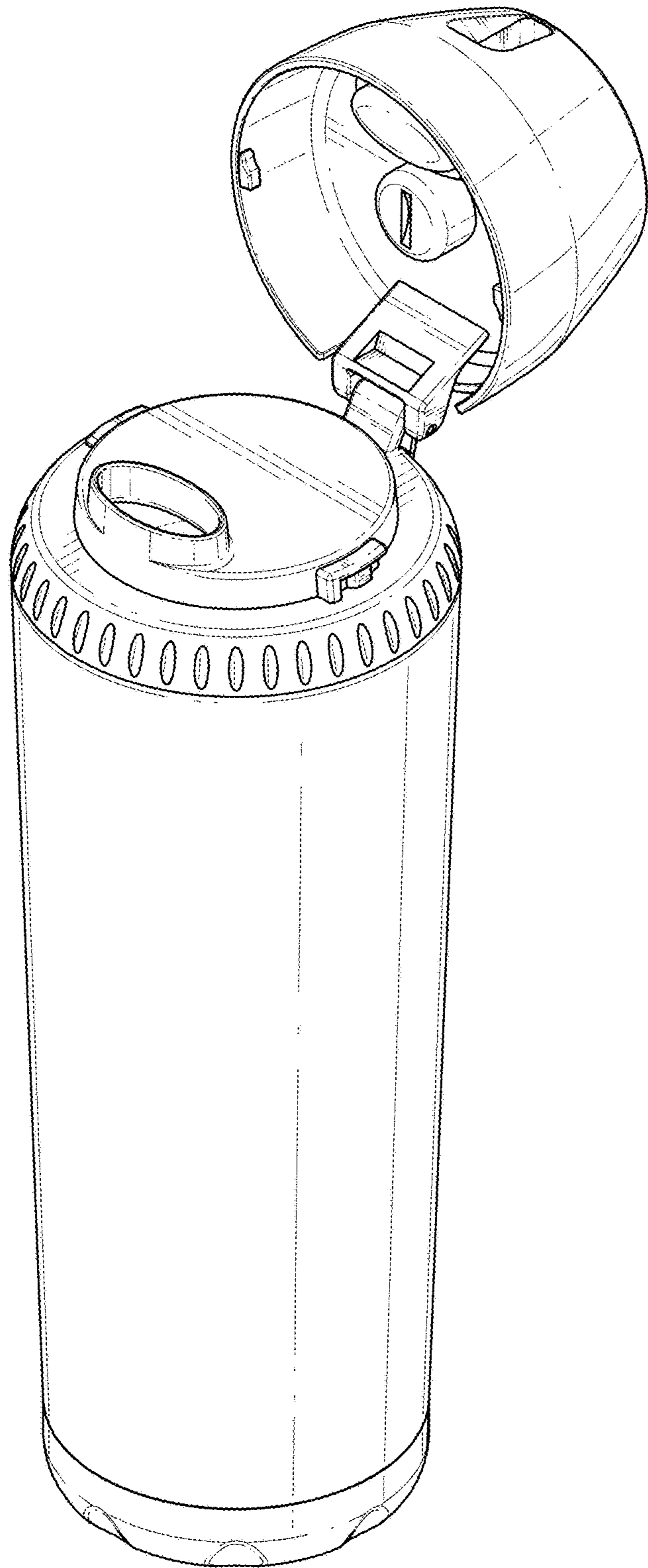


FIG. 8

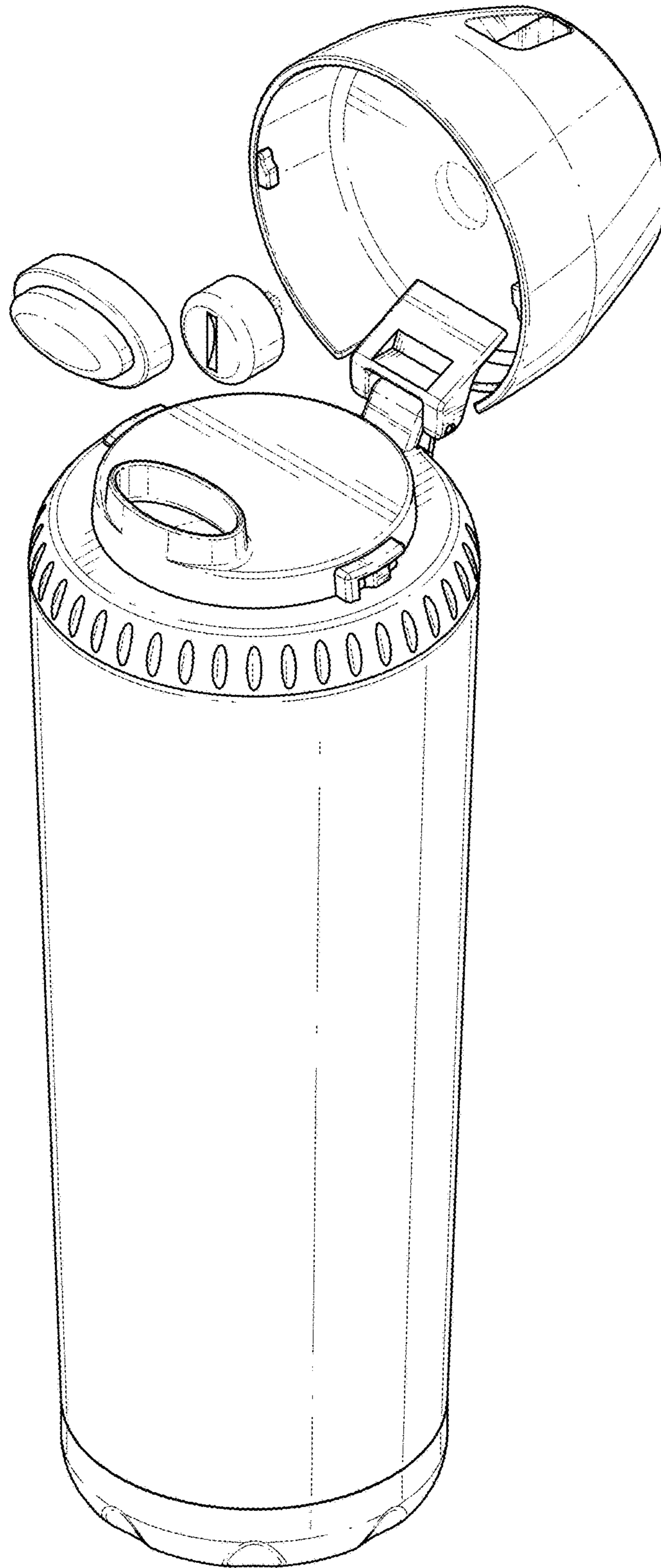


FIG. 9

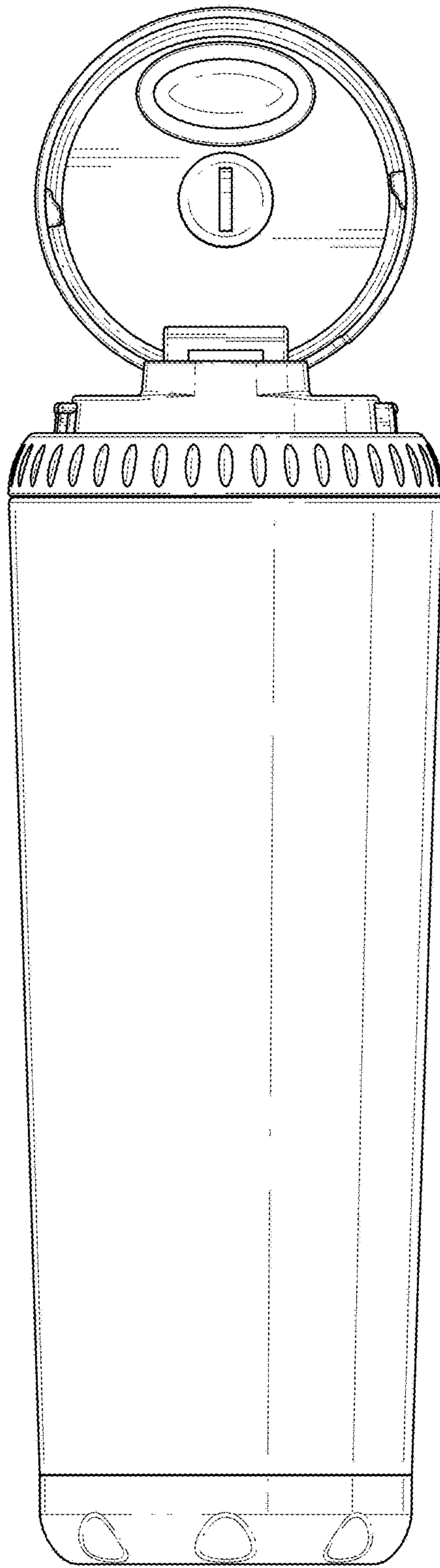


FIG. 10

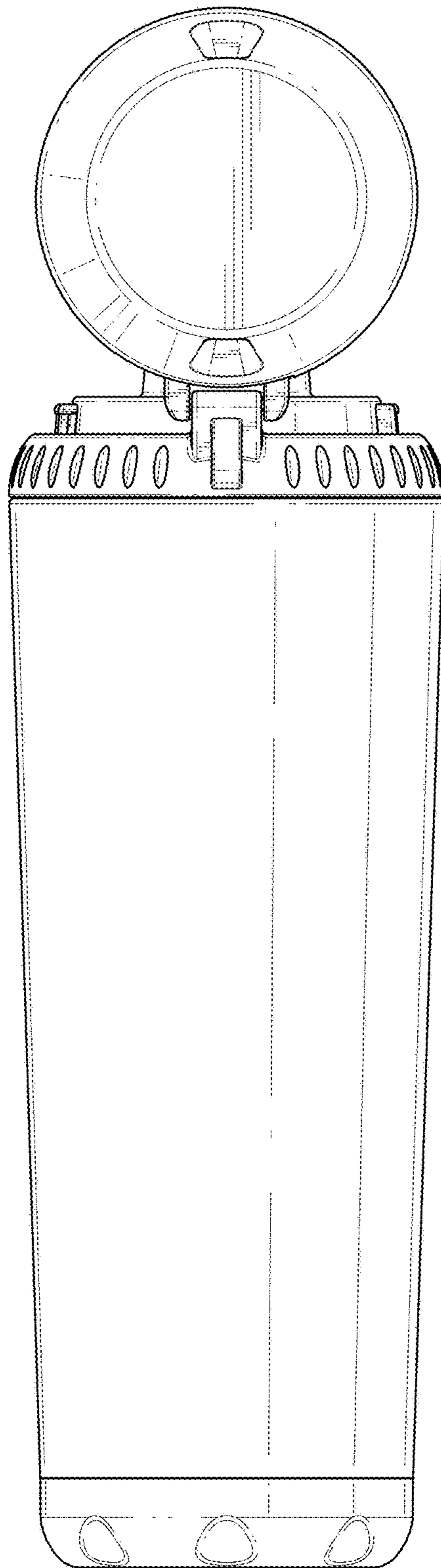


FIG. 11

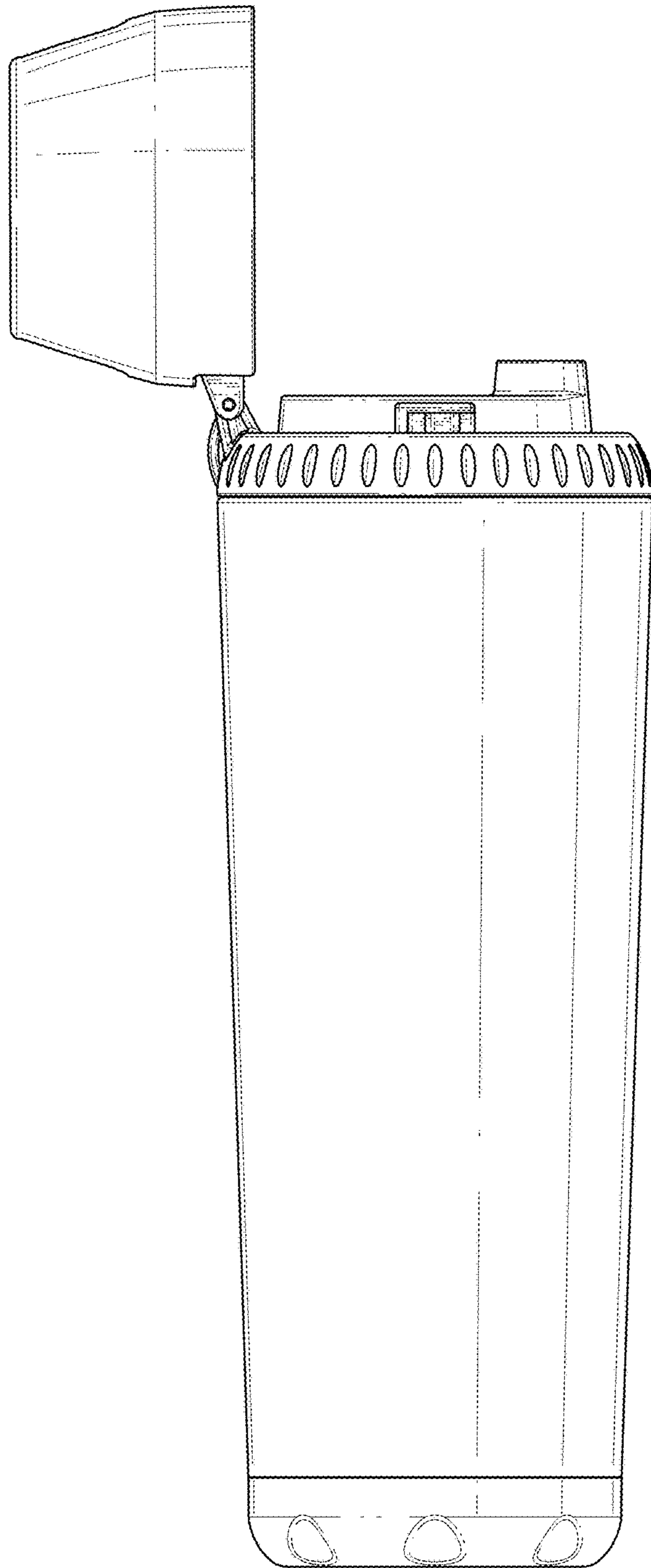


FIG. 12

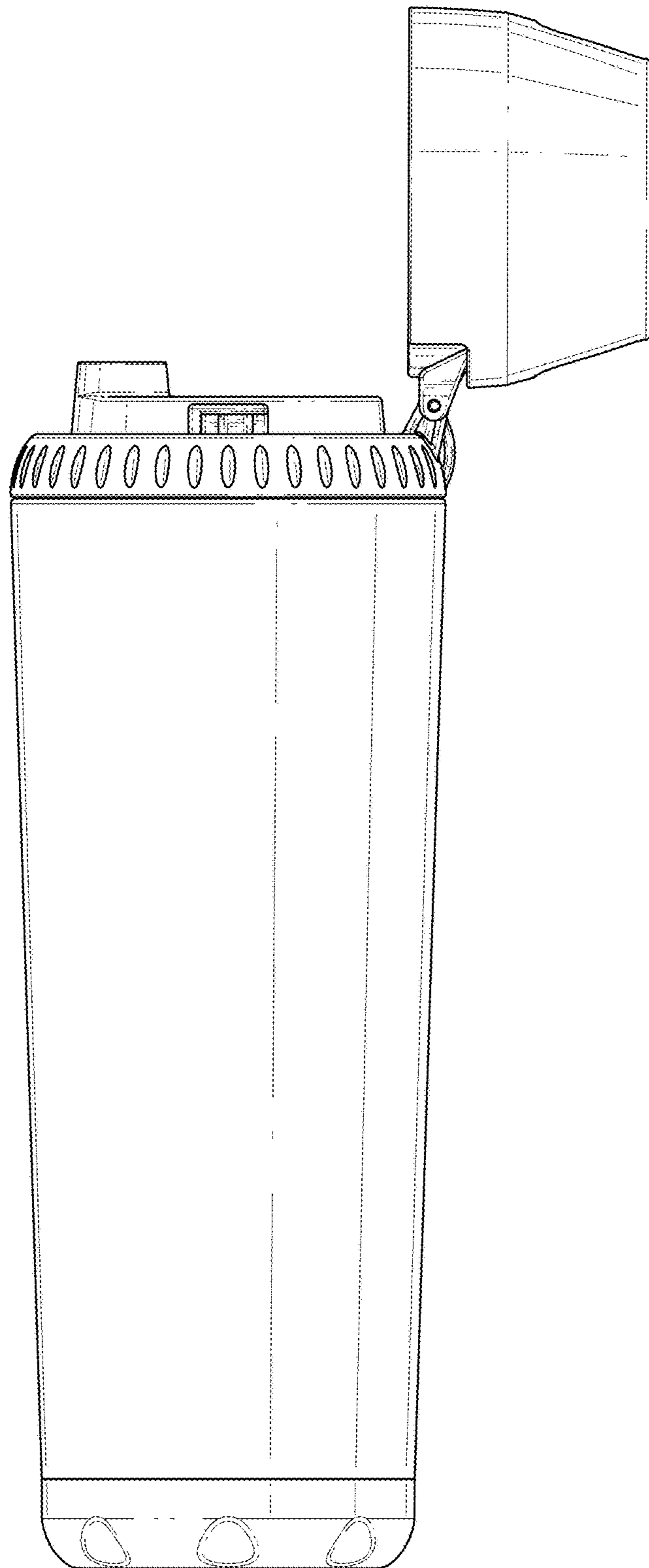


FIG. 13

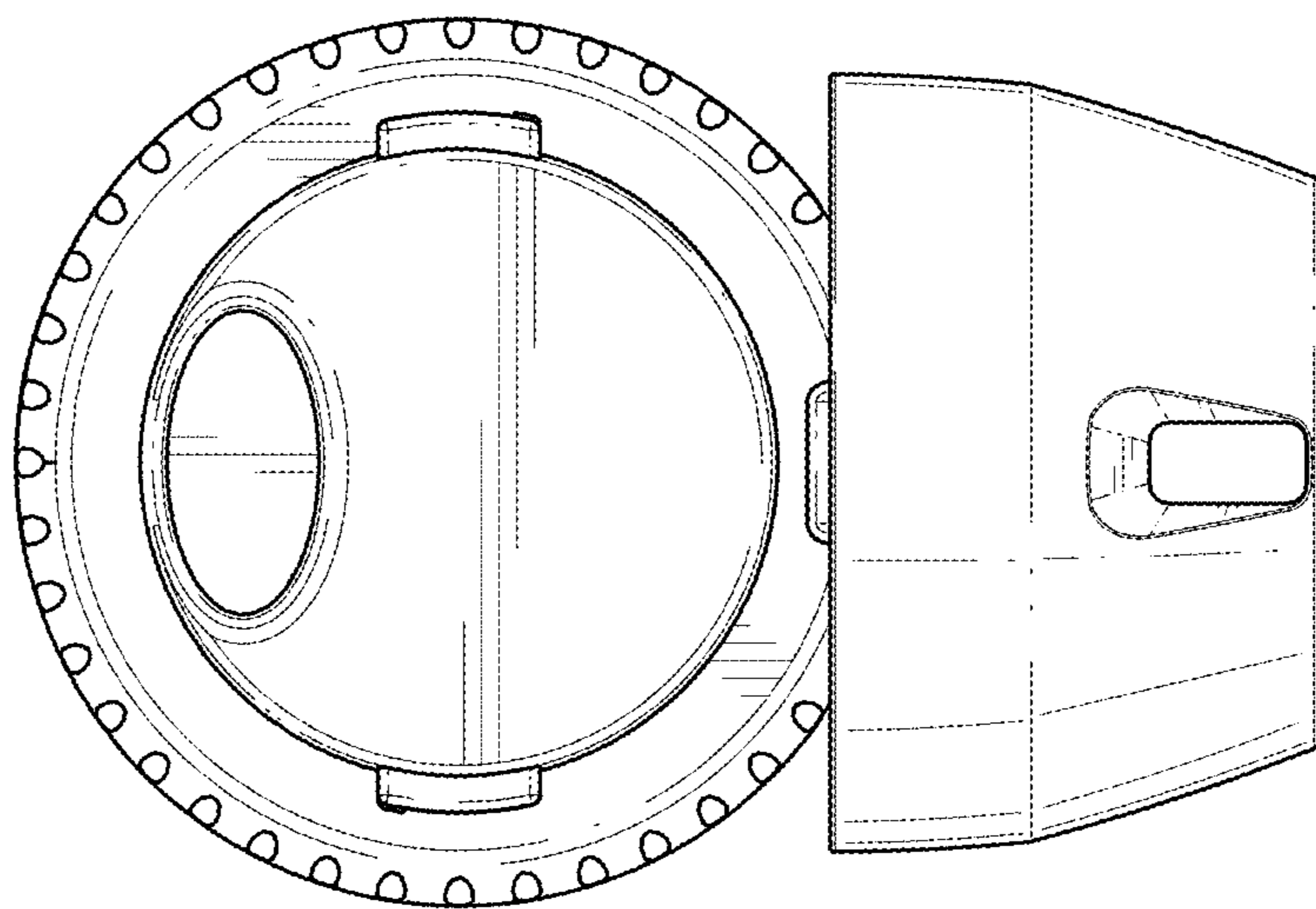


FIG. 14

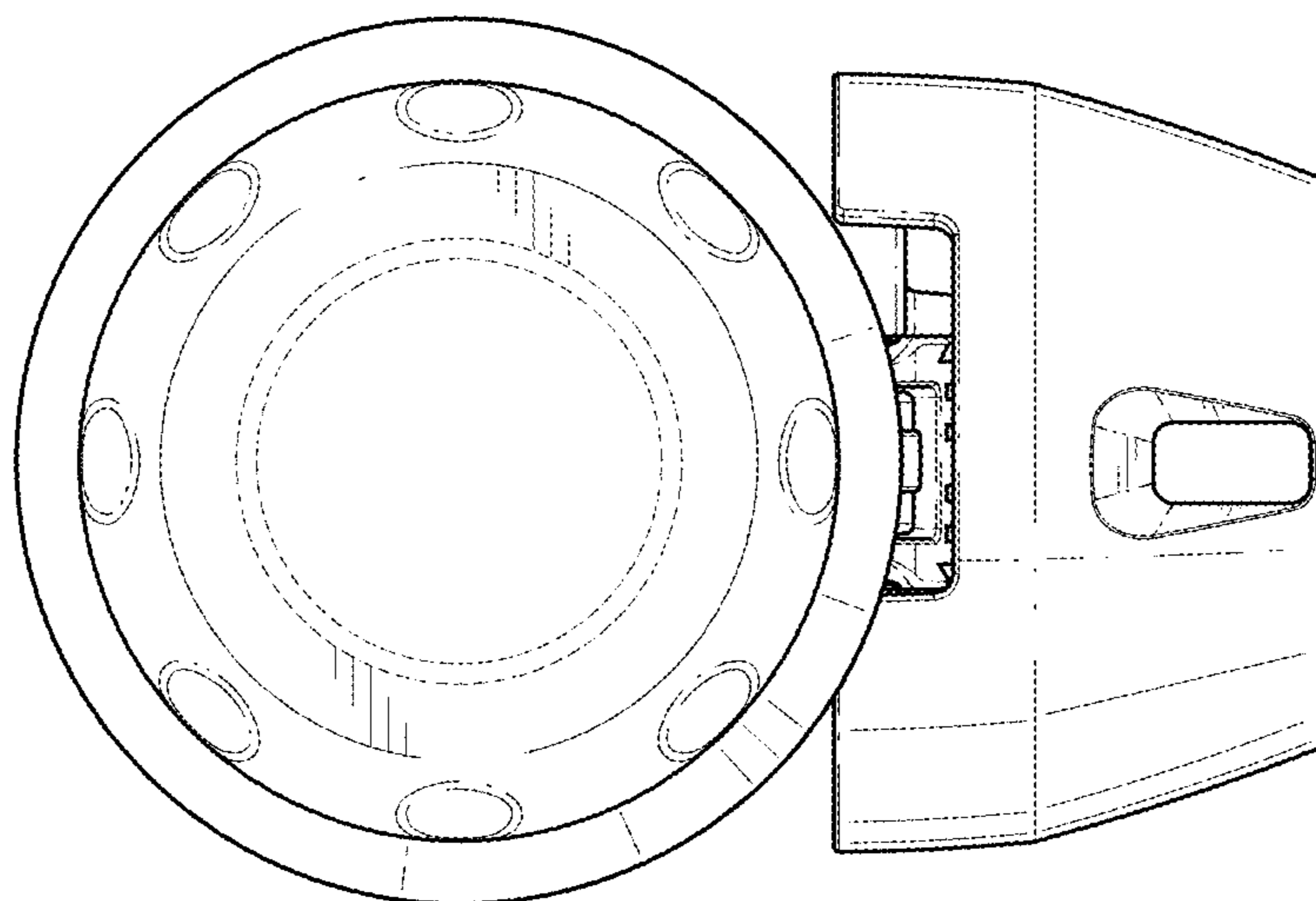


FIG. 15