

US00D856083S

(12) **United States Design Patent** (10) **Patent No.:** **US D856,083 S**  
**Lawson-Shanks et al.** (45) **Date of Patent:** **\*\* Aug. 13, 2019**

(54) **BOTTLE INCLUDING ADDITIVE VESSELS**

(71) Applicant: **LifeFuels, Inc.**, Reston, VA (US)

(72) Inventors: **Robert Lawson-Shanks**, Reston, VA (US); **Mark Lyons**, Reston, VA (US); **Jonathon Perrelli**, Reston, VA (US); **James Christopher Small**, Reston, VA (US); **Jesse John Horne**, Reston, VA (US); **Simon Lewis Bilton**, Reston, VA (US); **Matthew James Edwards**, Reston, VA (US)

(73) Assignee: **LifeFuels, Inc.**, Reston, VA (US)

(\*\*) Term: **15 Years**

(21) Appl. No.: **29/632,266**

(22) Filed: **Jan. 5, 2018**

(51) **LOC (12) Cl.** ..... **07-01**

(52) **U.S. Cl.**  
USPC ..... **D7/507; D7/511; D7/523; D7/532**

(58) **Field of Classification Search**  
USPC ..... **D7/505, 507, 509, 510, 511, 523, 532, D7/608, 300.1, 213, 392.1, 396.2, 387, D7/396.6; D9/500, 501, 502, 503, 504, D9/505, 516, 530; D14/216, 221, 204, D14/209.1, 215, 217, 212**  
CPC . **A47G 19/2205; A47G 19/2272; A47J 43/27; A47J 41/02; A45F 3/16**  
See application file for complete search history.

(56) **References Cited**

**U.S. PATENT DOCUMENTS**

D97,347 S 10/1935 Gambell  
2,071,399 A 2/1937 Gambell  
D157,486 S 2/1950 Glowacki  
2,682,355 A 6/1954 Robbins  
D192,814 S 5/1962 Edwin  
3,319,637 A 5/1967 Gore

3,548,657 A 12/1970 Panerai  
D225,364 S 12/1972 Antoni  
3,727,803 A 4/1973 Cobb  
D242,132 S 11/1976 Hasegawa  
4,051,726 A 10/1977 Hastbacka  
4,087,024 A 5/1978 Martin  
4,125,187 A 11/1978 Vecchiotti  
4,133,457 A 1/1979 Klassen  
4,450,722 A 5/1984 Keyes, IV  
D279,621 S 7/1985 Richer  
4,728,006 A 3/1988 Drobish  
D295,954 S 5/1988 Kirchhoff  
D296,302 S 6/1988 Weber  
4,898,306 A 2/1990 Pardes  
4,938,387 A 7/1990 Kervefors

(Continued)

**FOREIGN PATENT DOCUMENTS**

DE 3428178 2/1986

*Primary Examiner* — Marianne N Pandozzi

*Assistant Examiner* — Jae Liang

(74) *Attorney, Agent, or Firm* — Kenealy Vaidya LLP

(57) **CLAIM**

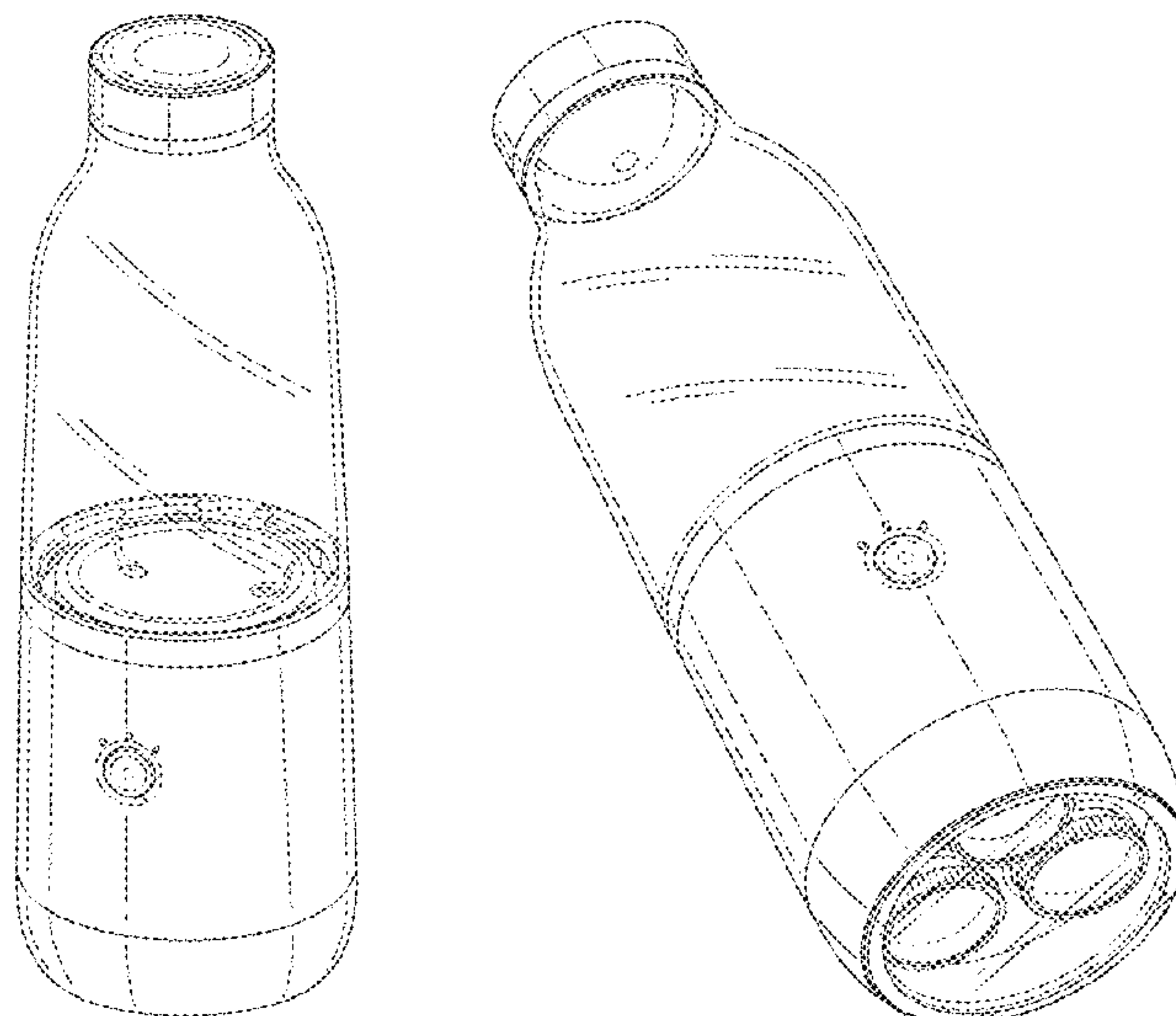
The ornamental design for a bottle including additive vessels, as shown and described.

**DESCRIPTION**

FIG. 1 is a front perspective view of a bottle including additive vessels showing the new design; FIG. 2 is a bottom perspective view thereof; FIG. 3 is a front view thereof; FIG. 4 is a rear view thereof; FIG. 5 is a right view thereof; FIG. 6 is a left view thereof; FIG. 7 is a top view thereof; and, FIG. 8 is a bottom view thereof.

The broken lines in the drawings depict portions of the bottle including additive vessels that form no part of the claimed design.

**1 Claim, 8 Drawing Sheets**



(56)

References Cited

U.S. PATENT DOCUMENTS

5,080,260 A	1/1992	Doring	8,302,795 B2	11/2012	Van den Broek
5,119,279 A	6/1992	Makowsky	8,361,527 B2	1/2013	Winkler
5,139,169 A	8/1992	Boyer	8,378,830 B2	2/2013	Moran
5,174,458 A	12/1992	Segati	8,397,519 B2	3/2013	Loibl
D336,216 S	6/1993	Rohrbeck	8,417,377 B2	4/2013	Rothschild
5,325,765 A	7/1994	Sylvan	8,464,633 B2	6/2013	Anson
D352,204 S	11/1994	Hayes	8,485,359 B2	7/2013	Anderson
5,377,877 A	1/1995	Brown et al.	D688,531 S *	8/2013	Ceder ..... D7/624.2
5,379,916 A	1/1995	Martindale	8,522,968 B2	9/2013	Middleman
5,398,853 A	3/1995	Latham	8,523,837 B2	9/2013	Wiggins
5,474,211 A	12/1995	Hellenberg	D690,990 S	10/2013	Boggs
D372,867 S	8/1996	Lambelet	D690,991 S	10/2013	Boggs
D382,808 S	8/1997	Fenton	8,556,127 B2	10/2013	Olson
D383,383 S	9/1997	Prestia	8,584,691 B2	11/2013	Hammonds
D387,992 S	12/1997	Kotoucek	8,584,840 B2	11/2013	Kim
5,747,824 A	5/1998	Jung	8,590,753 B2	11/2013	Marina
D396,603 S	8/1998	Gasser	D699,106 S	2/2014	Glaser
5,938,080 A	8/1999	Haaser	D699,996 S	2/2014	De Leo
6,077,579 A	6/2000	De Laforcade	8,678,183 B2	3/2014	Jones
6,142,063 A	11/2000	Beaulieu	D702,474 S *	4/2014	Scherer ..... D7/300.1
6,170,712 B1	1/2001	Kasboske	8,684,231 B2	4/2014	Lane
6,230,884 B1	5/2001	Coory	8,695,420 B1	4/2014	Korman
6,422,422 B1	7/2002	Forbes	8,701,906 B1	4/2014	Anderson
6,504,481 B2	1/2003	Teller	8,717,182 B1	5/2014	Brashears
D477,791 S	7/2003	Wells	8,718,819 B2	5/2014	Hyde
D478,073 S	8/2003	Topinka	8,754,769 B2	6/2014	Stein
6,615,881 B2	9/2003	Bartholomew	8,757,227 B2	6/2014	Girard
6,644,471 B1	11/2003	Anderson	D709,387 S *	7/2014	Marina ..... D7/300.1
6,722,530 B1	4/2004	King	8,794,485 B2	8/2014	Lunn
6,761,318 B2	7/2004	Dudek	8,801,688 B2	8/2014	Wiggins
D500,936 S	1/2005	Nikkhali	8,851,740 B1	10/2014	Mills
6,889,872 B2	5/2005	Herman	8,940,163 B2	1/2015	Bassett
6,921,911 B2	7/2005	Siepmann	8,945,374 B2	2/2015	Chase
6,925,871 B2	8/2005	Frank	8,977,389 B2	3/2015	Witchell
6,935,493 B2	8/2005	Cho	8,979,539 B1	3/2015	Snyder
D514,385 S	2/2006	Smith	8,985,395 B2	3/2015	Tansey
D517,852 S	3/2006	Jalet	8,989,673 B2	3/2015	Sandy
D522,860 S	6/2006	LaFortune	D727,171 S *	4/2015	Marina ..... D7/300.1
D523,332 S	6/2006	McEldowney	9,014,846 B2	4/2015	Newman
D525,135 S	7/2006	Bakic	9,020,635 B2	4/2015	Hortin
7,104,184 B2	9/2006	Biderman	9,035,222 B2	5/2015	Alexander
7,107,838 B2	9/2006	Chai	9,035,765 B2	5/2015	Engelhard
D529,340 S	10/2006	Lath	9,102,441 B1 *	8/2015	Orvik ..... A45F 3/18
7,172,095 B2	2/2007	Marshall	9,111,324 B2	8/2015	Hyde
7,196,624 B2	3/2007	Teller	9,126,738 B2	9/2015	Boggs
D541,596 S	5/2007	Hicks	9,134,020 B1	9/2015	Wells
7,228,879 B2	6/2007	Miller	9,138,091 B2	9/2015	Zhao
7,319,523 B2	1/2008	Chiarello	9,151,605 B1	10/2015	Sweeney
D565,350 S	4/2008	Gauger	9,161,654 B2	10/2015	Belmont
D572,588 S	7/2008	Osborn	9,169,112 B2	10/2015	Chase
13,573,464	7/2008	Kogure	D746,046 S	12/2015	Lee
7,439,859 B2	10/2008	Humphrey	D748,955 S	2/2016	Oliver
7,464,811 B2	12/2008	Patterson	9,254,250 B1	2/2016	Orofino
7,501,933 B2	3/2009	Rouso	D751,865 S	3/2016	Harris
D591,599 S	5/2009	Okin	D752,391 S *	3/2016	Hatherell ..... D7/510
D593,411 S	6/2009	Bizzell	D752,396 S	3/2016	Tu
7,614,496 B2	11/2009	Dvorak	9,290,309 B1 *	3/2016	Pabon ..... A47G 19/2272
D608,637 S	1/2010	Getsy	D758,868 S	6/2016	Bretschneider
D611,298 S	3/2010	Freeman	D760,537 S	7/2016	Hertaus
7,710,567 B1	5/2010	Mentzer	D768,507 S *	10/2016	Hotell ..... D9/738
D618,963 S	7/2010	Freeman	9,506,798 B2	11/2016	Saltzgeber
7,762,181 B2	7/2010	Boland	D779,881 S *	2/2017	Lee ..... D7/510
D634,157 S	3/2011	Hoff	D826,052 S *	8/2018	Harris ..... D9/500
D635,823 S	4/2011	Mauffette	2002/0070861 A1	6/2002	Teller
D635,864 S	4/2011	Lee	2002/0090426 A1	7/2002	Denny
D639,607 S	6/2011	Bracq	2002/0129663 A1	9/2002	Hoyt
8,083,055 B2	12/2011	Simonian	2007/0214055 A1	9/2007	Temko
D651,474 S *	1/2012	Gut ..... D7/624.2	2009/0120815 A1	5/2009	Mitchell
8,091,735 B2	1/2012	Girard	2009/0206084 A1	8/2009	Wolf
8,141,700 B2	3/2012	Simonian	2009/0272274 A1	11/2009	De Graaff
D658,982 S	5/2012	Pauser	2010/0055252 A1	3/2010	Marina
D659,472 S	5/2012	D'Amato	2010/0163567 A1	7/2010	Chiang
8,196,776 B2	6/2012	Dogliani Maier	2010/0183776 A1	7/2010	Gruenwald
8,210,396 B2	7/2012	Girard	2011/0006071 A1	1/2011	Koumans
8,240,508 B2	8/2012	Wegelin	2011/0049161 A1	3/2011	Savinskyi
			2011/0050431 A1	3/2011	Hood
			2011/0052764 A1	3/2011	Bulgin
			2011/0166910 A1	7/2011	Marina
			2011/0180563 A1	7/2011	Fitchett



(56)

References Cited

U.S. PATENT DOCUMENTS

2012/0017766	A1	1/2012	Anson	2014/0305952	A1	10/2014	Harris
2012/0094261	A1	4/2012	Hayn	2014/0312247	A1	10/2014	McKee
2012/0097567	A1	4/2012	Zhao	2014/0324585	A1	10/2014	Mederos
2012/0104023	A1	5/2012	Anselmino	2014/0335490	A1	11/2014	Baarman
2012/0173164	A1	7/2012	Steuerwald	2014/0352843	A1	12/2014	Solera et al.
2012/0234183	A1	9/2012	Edwards	2014/0354438	A1	12/2014	Hazen
2013/0037506	A1*	2/2013	Wahlstrom .....	2014/0372045	A1	12/2014	Keski-Pukkila
			A61J 1/2093	2015/0014369	A1	1/2015	Hatton
			215/6	2015/0024349	A1	1/2015	Bischoff
2013/0043304	A1	2/2013	Agan	2015/0088304	A1	3/2015	Ameye
2013/0092567	A1	4/2013	Lok	2015/0115158	A1	4/2015	Fu
2013/0127748	A1	5/2013	Vertegaal	2015/0060482	A1	5/2015	Murray
2013/0139703	A1	6/2013	Hogarth	2015/0122688	A1	5/2015	Dias
2013/0156904	A1	6/2013	Nosler	2015/0173488	A1	6/2015	Witchell
2013/0186779	A1	7/2013	Kambouris	2015/0175400	A1	6/2015	Newman
2013/0240079	A1	9/2013	Petrini	2015/0182797	A1	7/2015	Wernow
2013/0319915	A1	12/2013	Gellibolian	2015/0183627	A1	7/2015	Tansey, Jr.
2014/0044837	A1*	2/2014	Weisman .....	2015/0223623	A1*	8/2015	Davis .....
			A47G 19/16				A47G 19/2272
			426/79				220/714
2014/0110476	A1	4/2014	Sheehan	2015/0284163	A1	10/2015	Manwani
2014/0114469	A1	4/2014	Givens	2016/0159632	A1	6/2016	Wheatley
2014/0273925	A1	9/2014	Burgett	2016/0174470	A1	6/2016	Shaffer
2014/0277707	A1	9/2014	Akdogan	2016/0317985	A1*	11/2016	Mutschler .....
2014/0303790	A1	10/2014	Huang	2017/0156540	A1	6/2017	Wheatley
				2017/0361984	A1*	12/2017	Fouad .....
				2018/0072553	A1	3/2018	Lyons
							A47J 43/27

\* cited by examiner

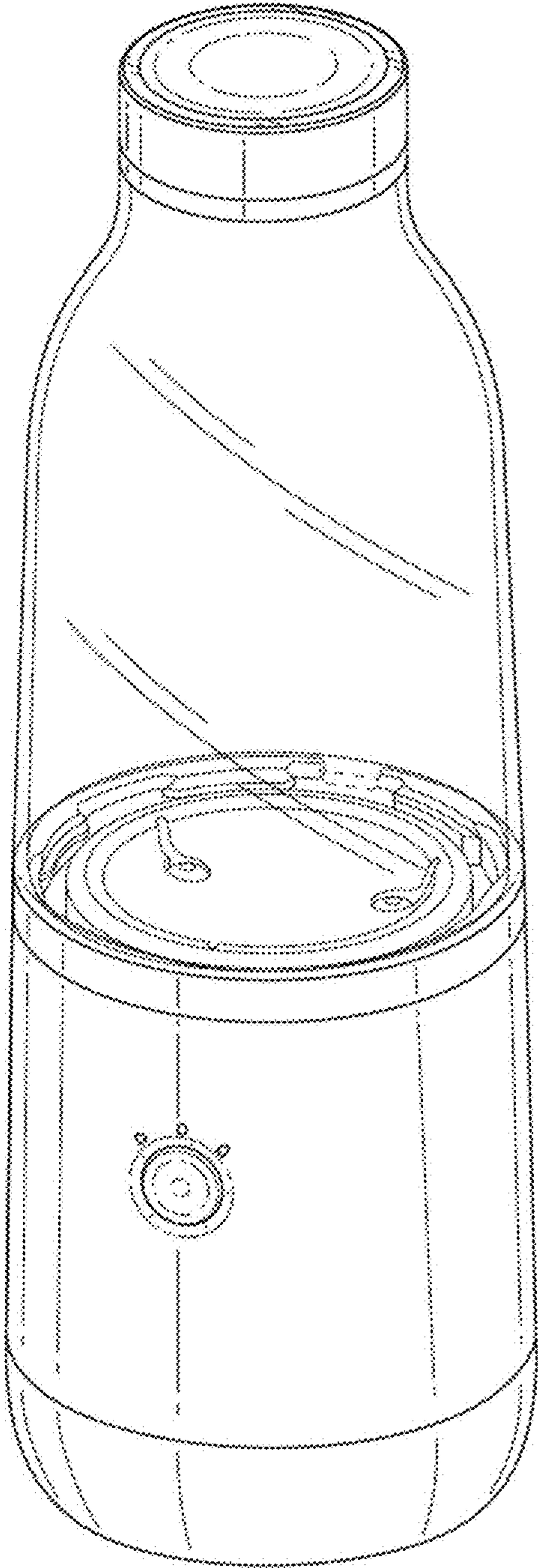


FIG. 1

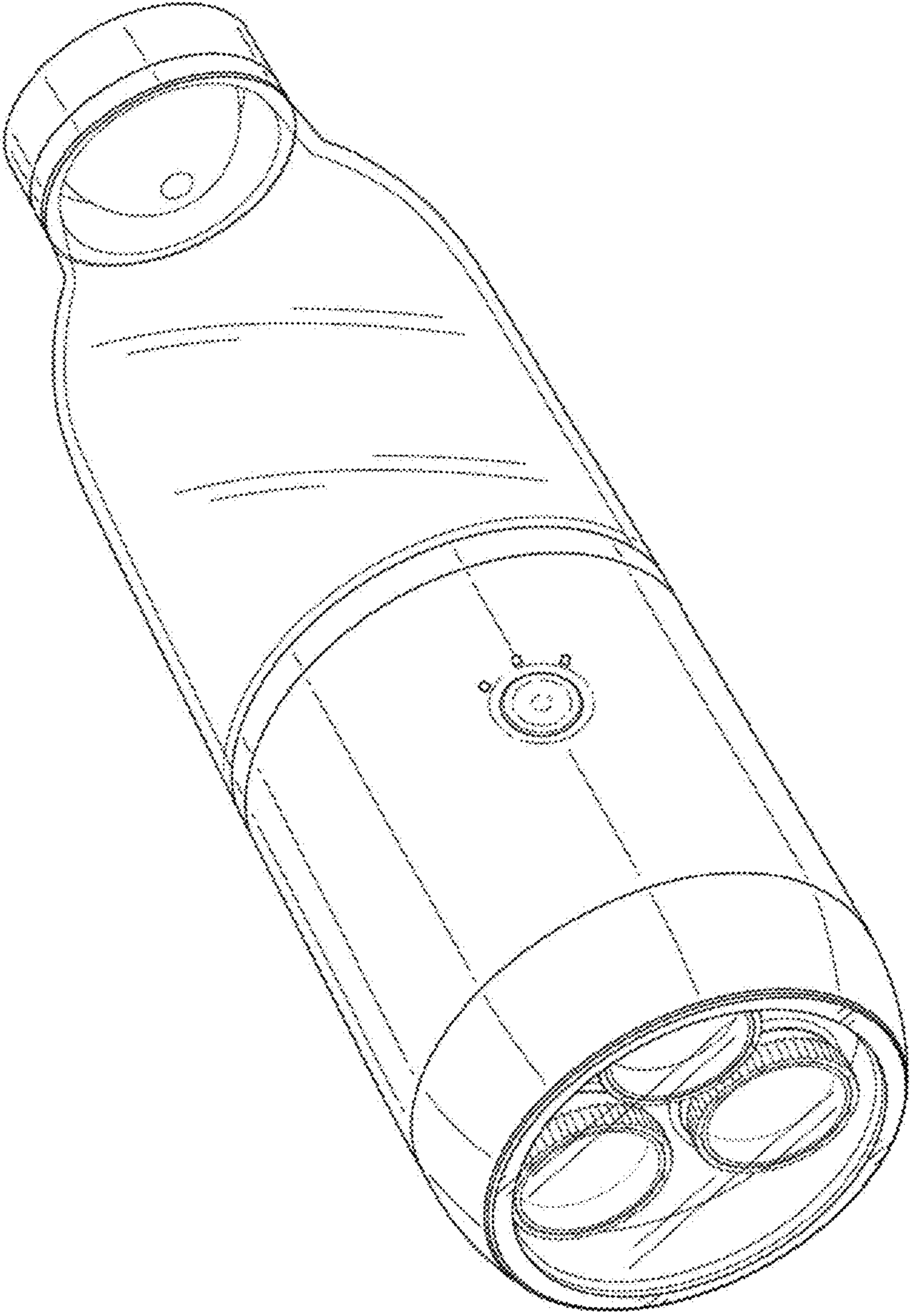


FIG. 2

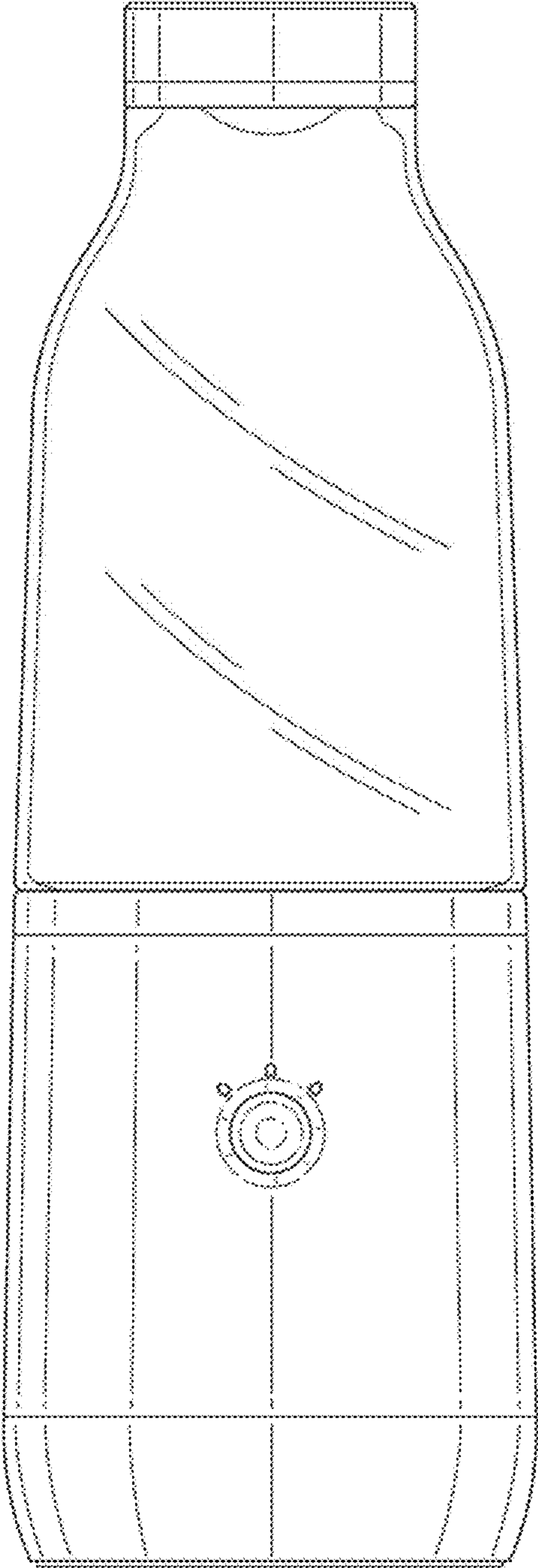


FIG. 3

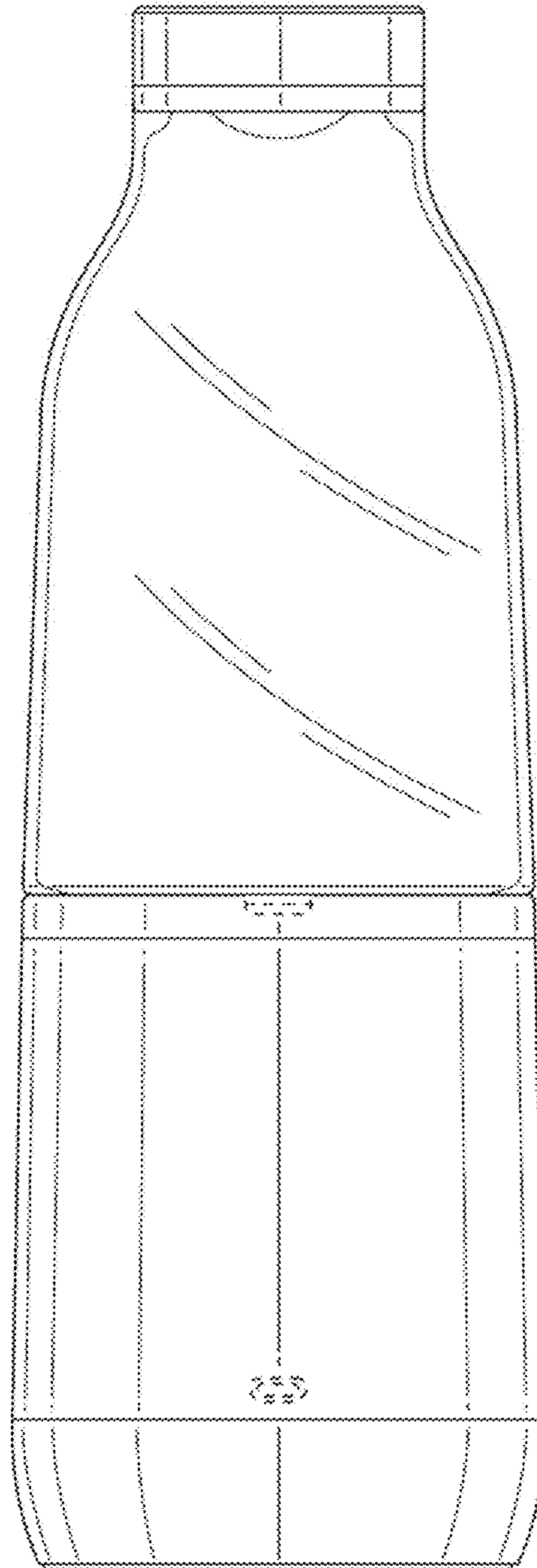


FIG. 4



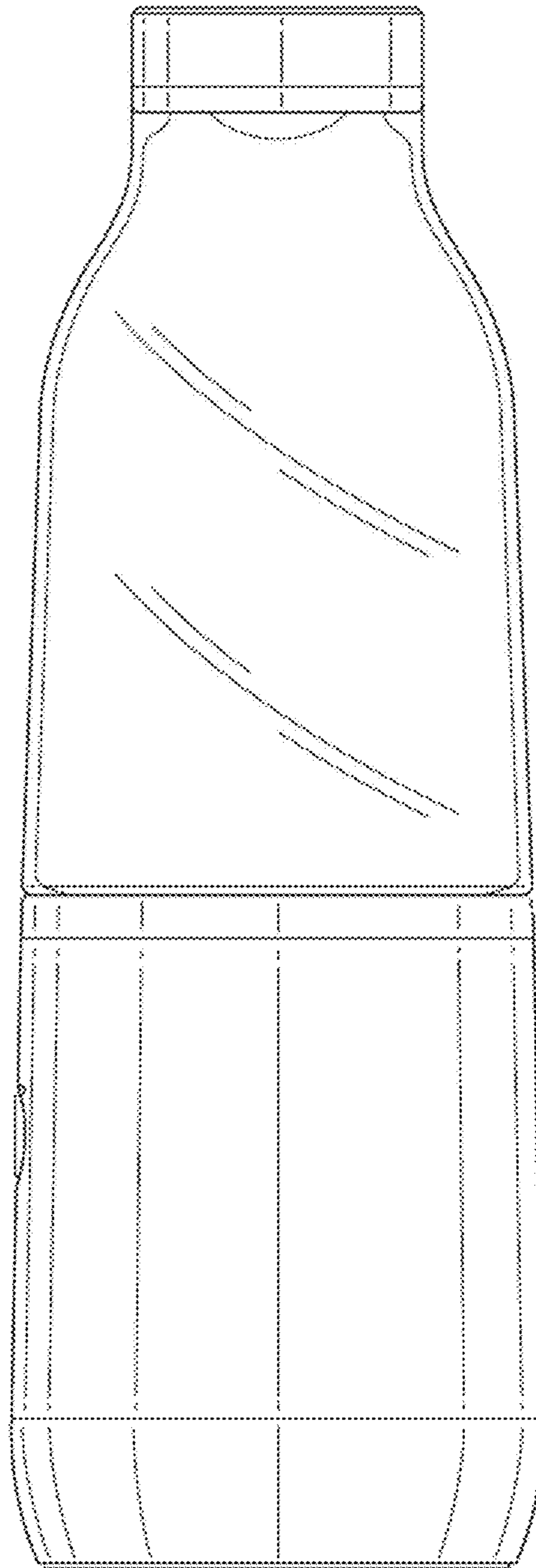


FIG. 5



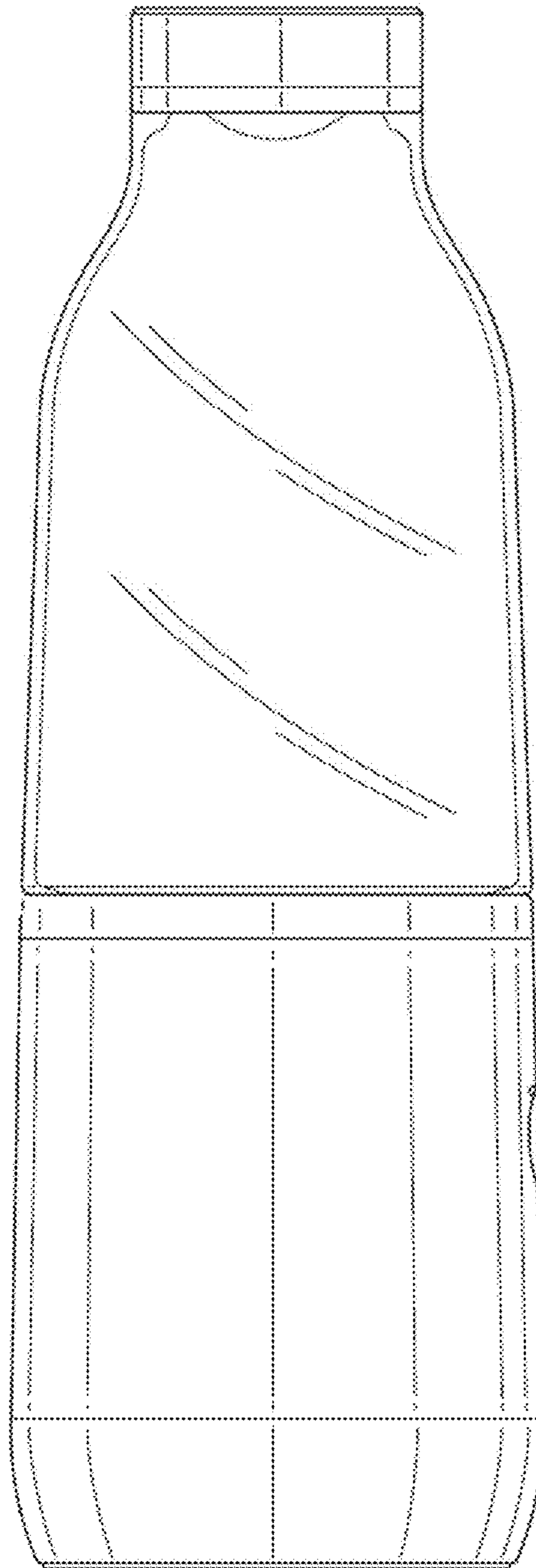


FIG. 6

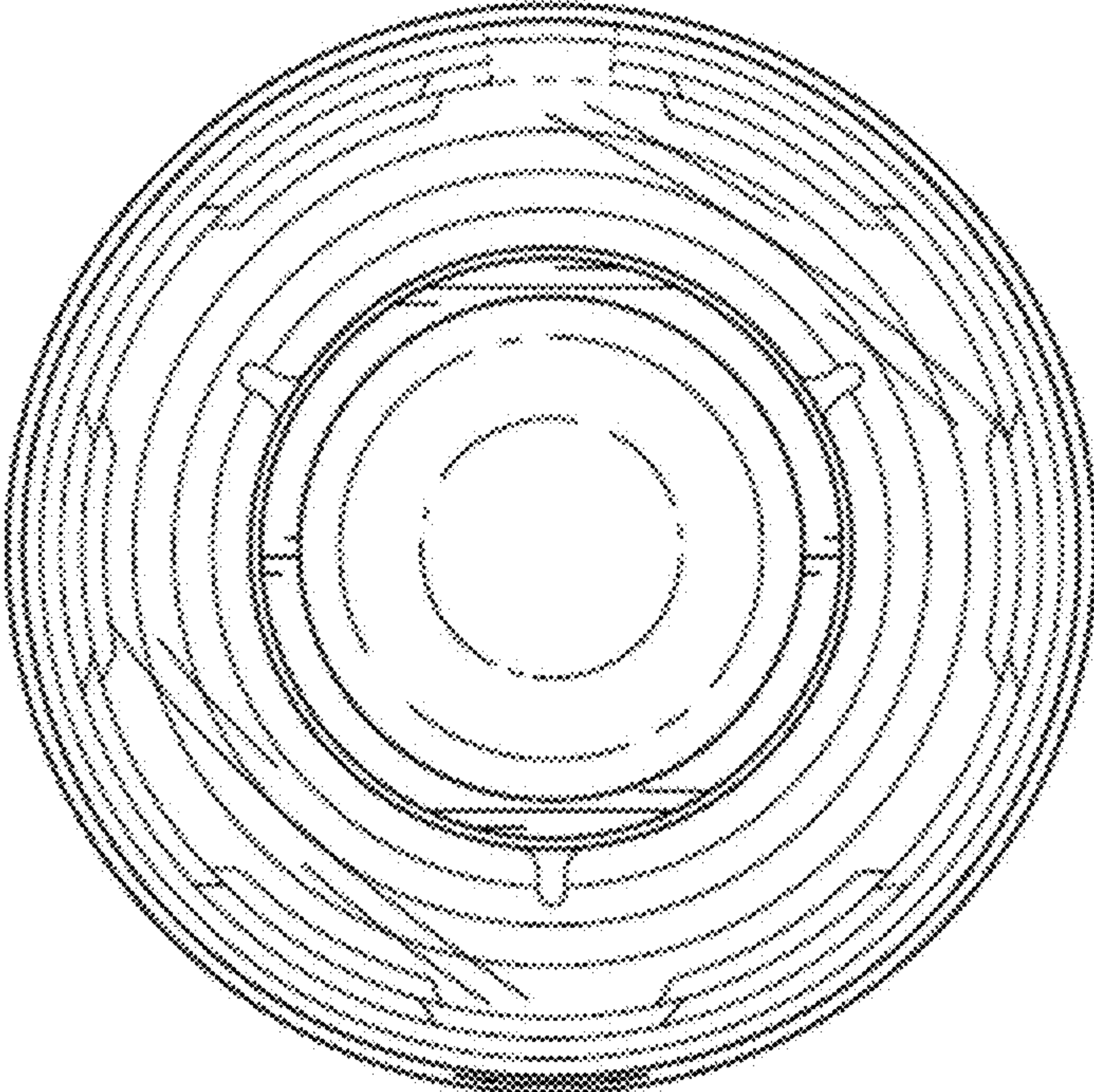


FIG. 7

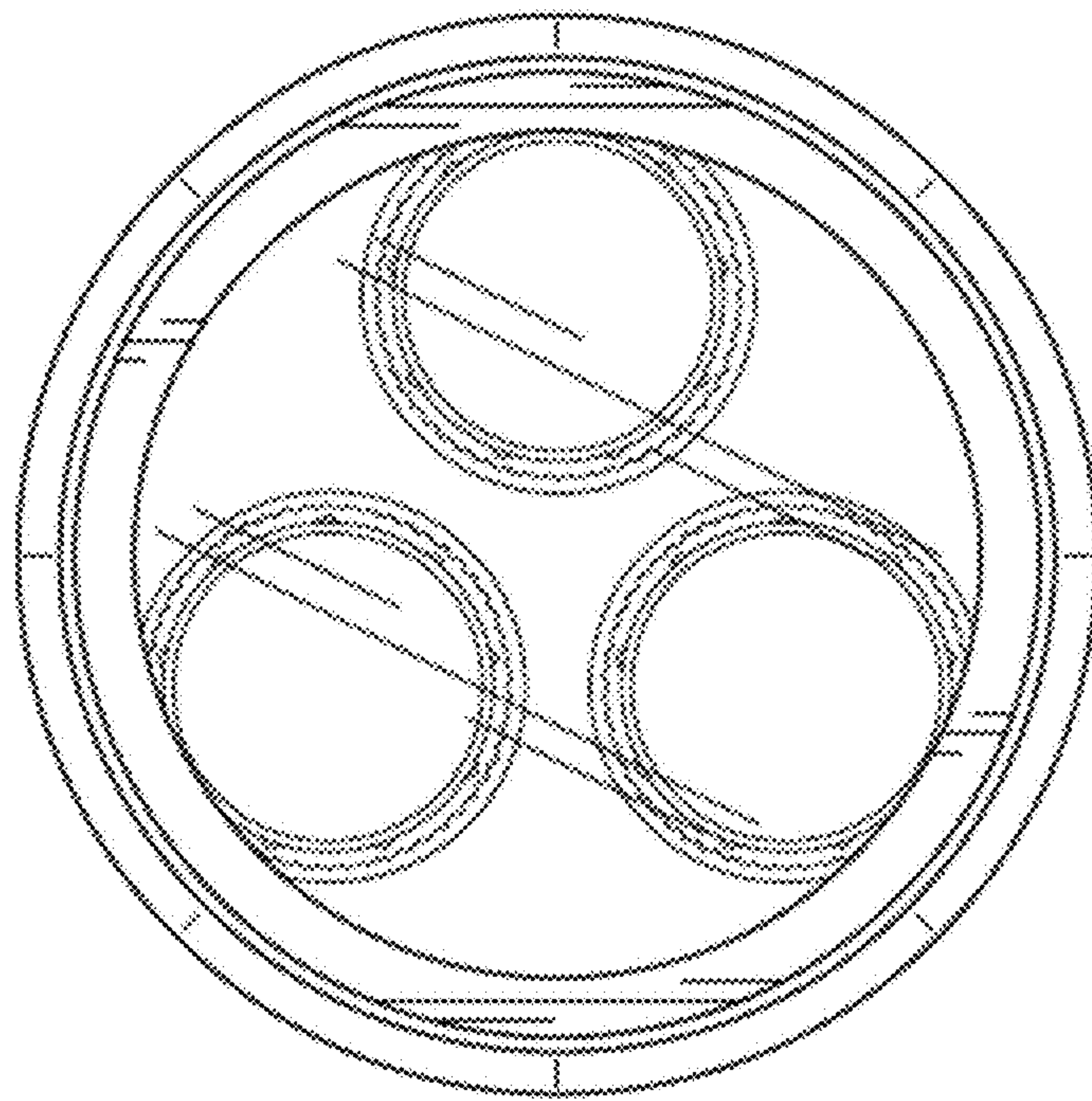


FIG. 8