



US00D856073S

(12) **United States Design Patent**  
**Reed**

(10) **Patent No.:** **US D856,073 S**

(45) **Date of Patent:** **\*\* Aug. 13, 2019**

- (54) **VENT INSERT FOR A DRINKING CONTAINER**
- (71) Applicant: **Handi-Craft Company**, St. Louis, MO (US)
- (72) Inventor: **Mark D. Reed**, Columbia, IL (US)
- (73) Assignee: **Handi-Craft Company**, St. Louis, MO (US)
- (\*\*) Term: **15 Years**
- (21) Appl. No.: **29/639,039**
- (22) Filed: **Mar. 2, 2018**
- (51) **LOC (12) Cl.** ..... **07-01**
- (52) **U.S. Cl.**  
USPC ..... **D7/398; D7/397; D7/387; D7/396.2**
- (58) **Field of Classification Search**  
USPC ..... D7/507, 509, 510, 511, 392.1, 396.2, D7/400, 398, 213, 393, 394, 397, 514, D7/515, 389, 581, 401.1, 602, 600.1, 387, D7/524, 528; 220/200, 703; D9/434, D9/435, 436, 447, 448, 635, 440, 439, D9/450, 446, 443; D24/197  
CPC .... B65D 41/56; B65D 41/04; B65D 41/0414; A47J 43/27; A45F 3/16; A61J 11/02; A61J 9/02; A61J 11/045  
See application file for complete search history.

(56) **References Cited**

**U.S. PATENT DOCUMENTS**

D260,175 S *	8/1981	Hein	.....	D23/209
D307,115 S *	4/1990	Waymack	.....	D9/447
D327,016 S *	6/1992	Leuenberger	.....	D9/435
D355,119 S *	2/1995	Zimmermann	.....	D9/440
D370,051 S *	5/1996	Samson	.....	D23/209
D374,150 S *	10/1996	Lillelund	.....	D7/387

D411,954 S *	7/1999	Williamson	.....	D9/440
D412,551 S *	8/1999	Smith	.....	D23/209
D429,111 S *	8/2000	Busick	.....	D7/397
6,167,921 B1 *	1/2001	Busick	.....	B67D 3/0032 141/18
D448,974 S *	10/2001	Hydak	.....	D7/387
D452,326 S *	12/2001	Atkin	.....	D24/197
D569,685 S *	5/2008	Liu	.....	D7/387
D572,828 S *	7/2008	Sakulsacha	.....	D24/197
D588,869 S *	3/2009	Rasmussen	.....	D7/387
D607,555 S *	1/2010	Nishizawa	.....	D23/393
8,579,130 B2 *	11/2013	Brown	.....	A61J 9/006 215/11.4
9,157,838 B2 *	10/2015	Scott	.....	G01N 30/14
D751,394 S *	3/2016	Chartier	.....	D9/440
D762,458 S *	8/2016	Home	.....	D8/354
D767,112 S *	9/2016	Williams	.....	D23/386
D771,435 S *	11/2016	Cutuli	.....	D7/400
D794,391 S *	8/2017	Palin	.....	D7/510
D795,644 S *	8/2017	Cortadellas	.....	D7/510
D805,840 S *	12/2017	Povey	.....	D7/396.2
D840,223 S *	2/2019	Marina	.....	D9/437

(Continued)

*Primary Examiner* — Marianne N Pandozzi

*Assistant Examiner* — Jae Liang

(74) *Attorney, Agent, or Firm* — Armstrong Teasdale LLP

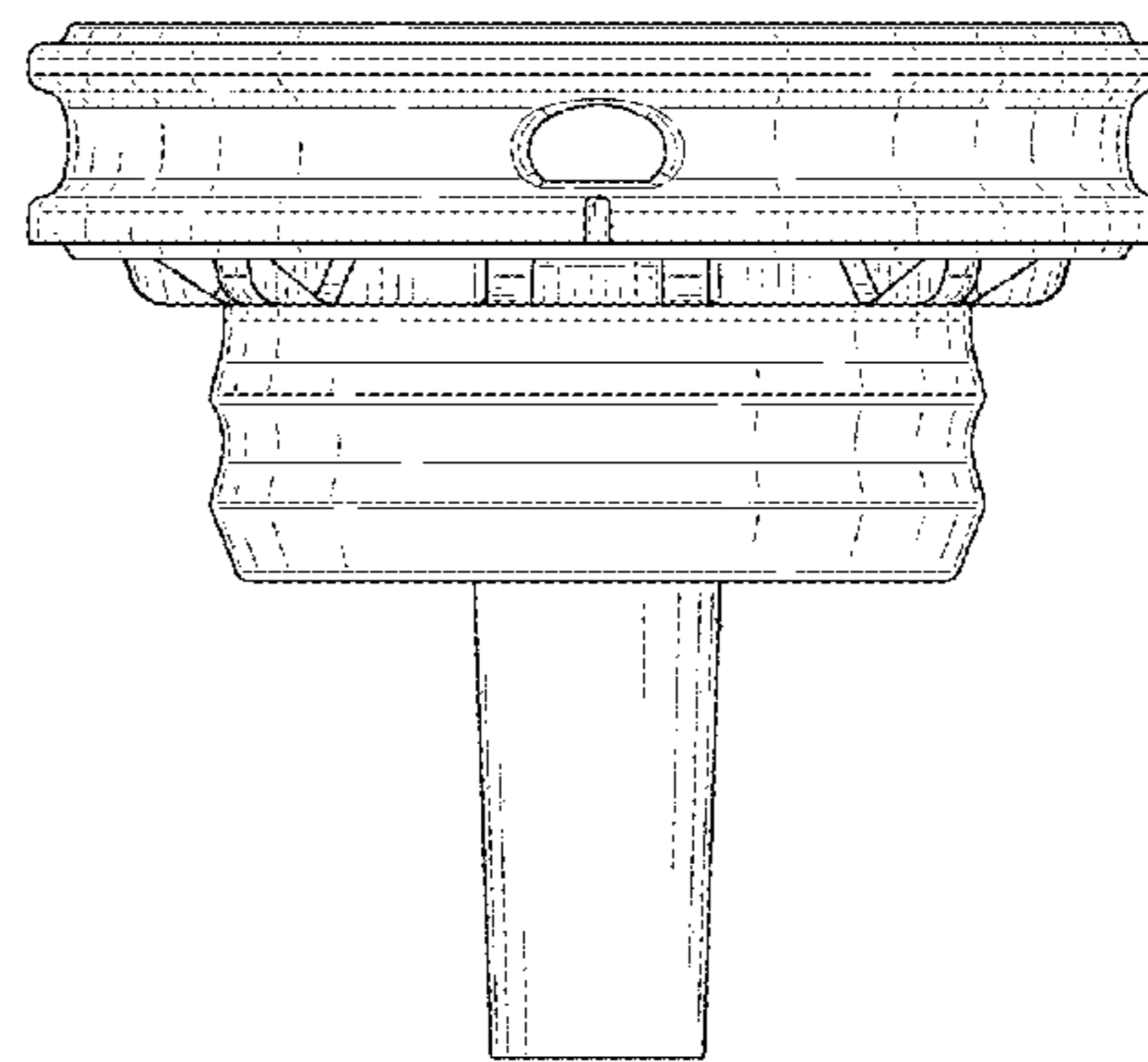
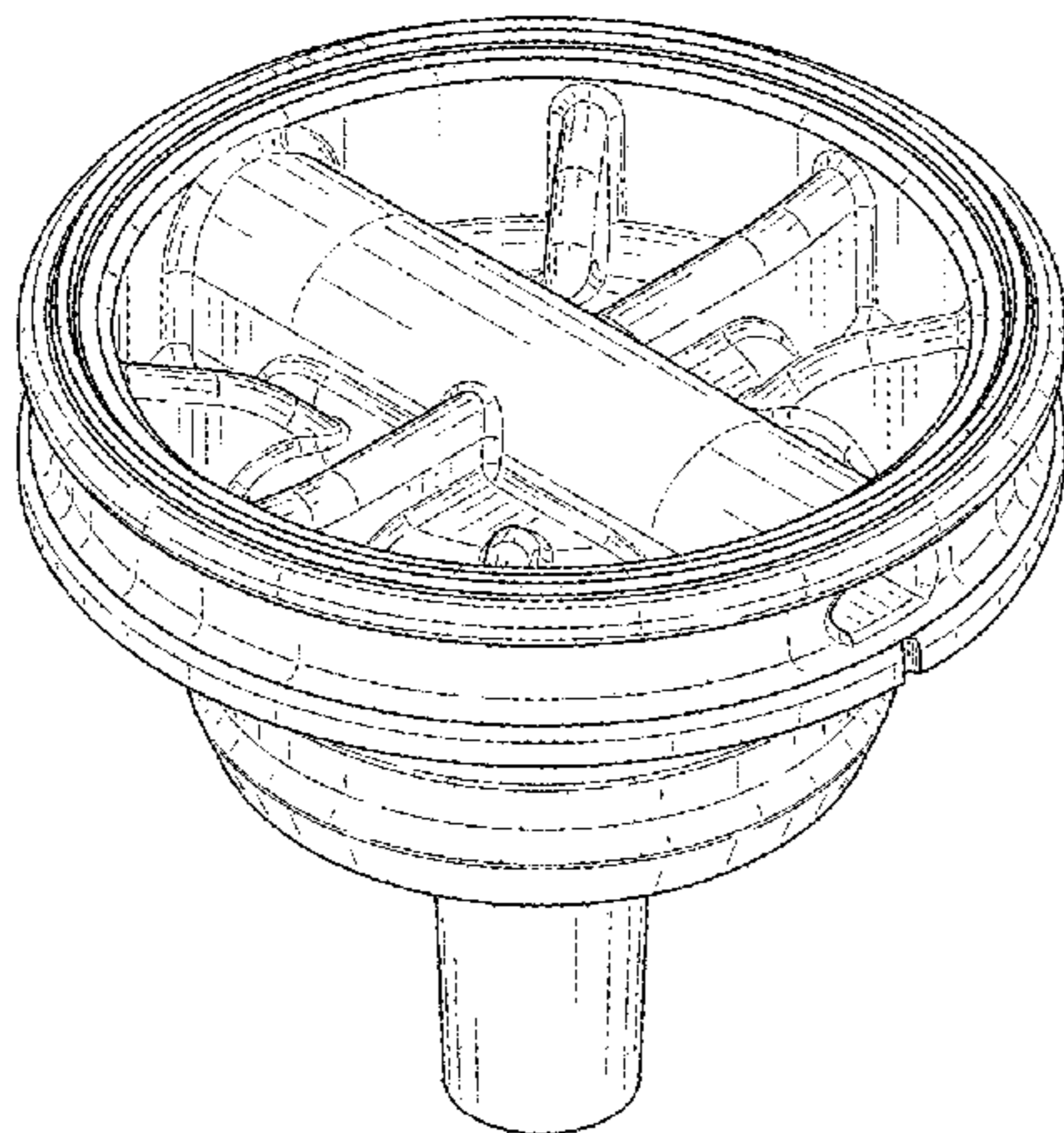
(57) **CLAIM**

I claim the ornamental design for a vent insert for a drinking container, as shown and described.

**DESCRIPTION**

FIG. 1 is a perspective view of a vent insert for a drinking container showing our new design;  
 FIG. 2 is a right side elevational view thereof;  
 FIG. 3 is a left side elevational view thereof;  
 FIG. 4 is a front elevational view thereof;  
 FIG. 5 is a rear elevational view thereof;  
 FIG. 6 is a top plan view thereof; and,  
 FIG. 7 is a bottom plan thereof.

**1 Claim, 7 Drawing Sheets**



(56)

**References Cited**

U.S. PATENT DOCUMENTS

2011/0180535 A1\* 7/2011 Apps ..... B65D 11/08  
220/254.1  
2016/0200486 A1\* 7/2016 Meyers ..... A47G 19/2266  
215/229  
2016/0354287 A1\* 12/2016 Britto ..... A61J 11/02  
2017/0361552 A1\* 12/2017 Seroka ..... B29D 30/0606  
2018/0042818 A1\* 2/2018 Reed ..... A61J 9/0623

\* cited by examiner

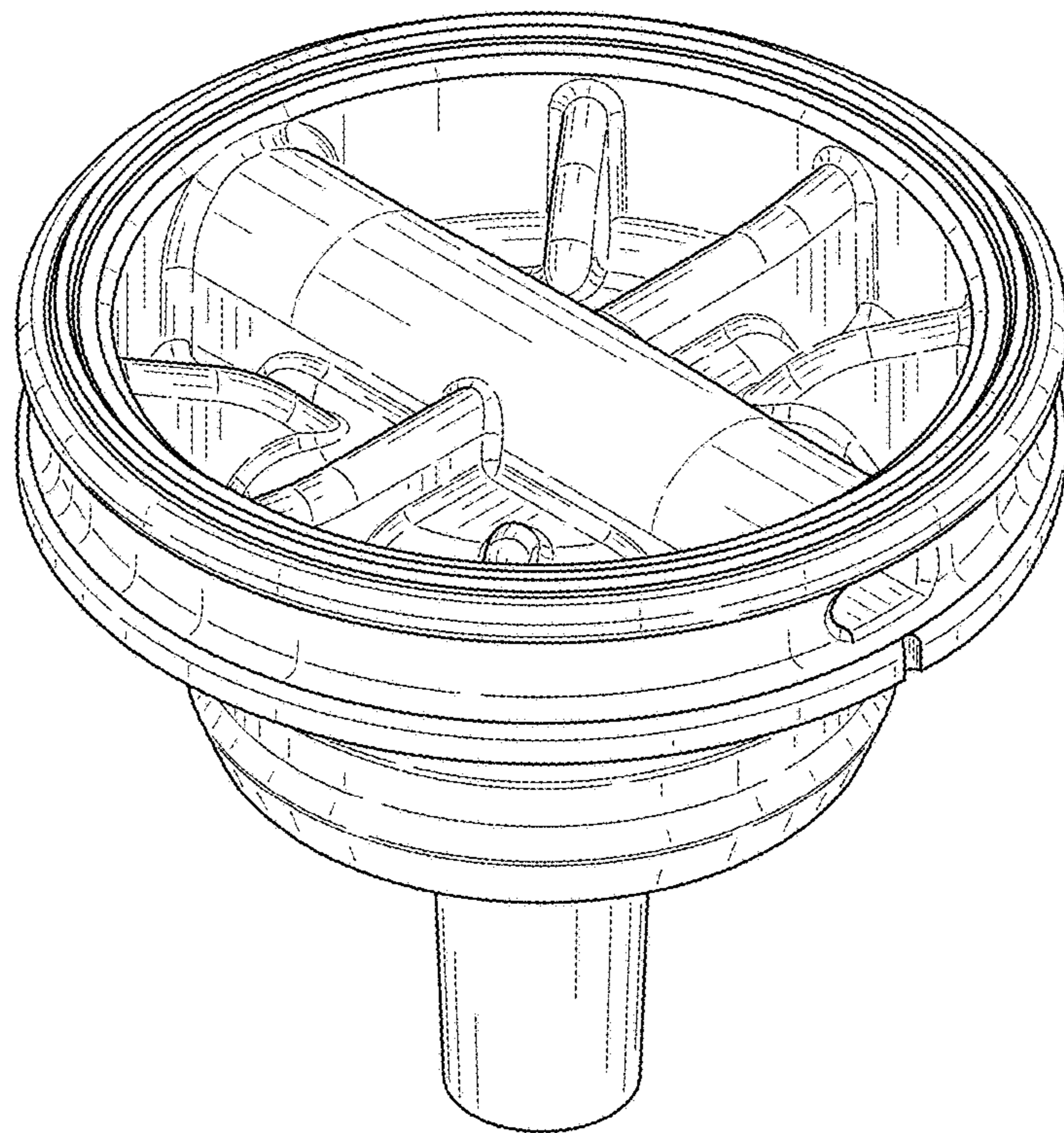


FIG. 1

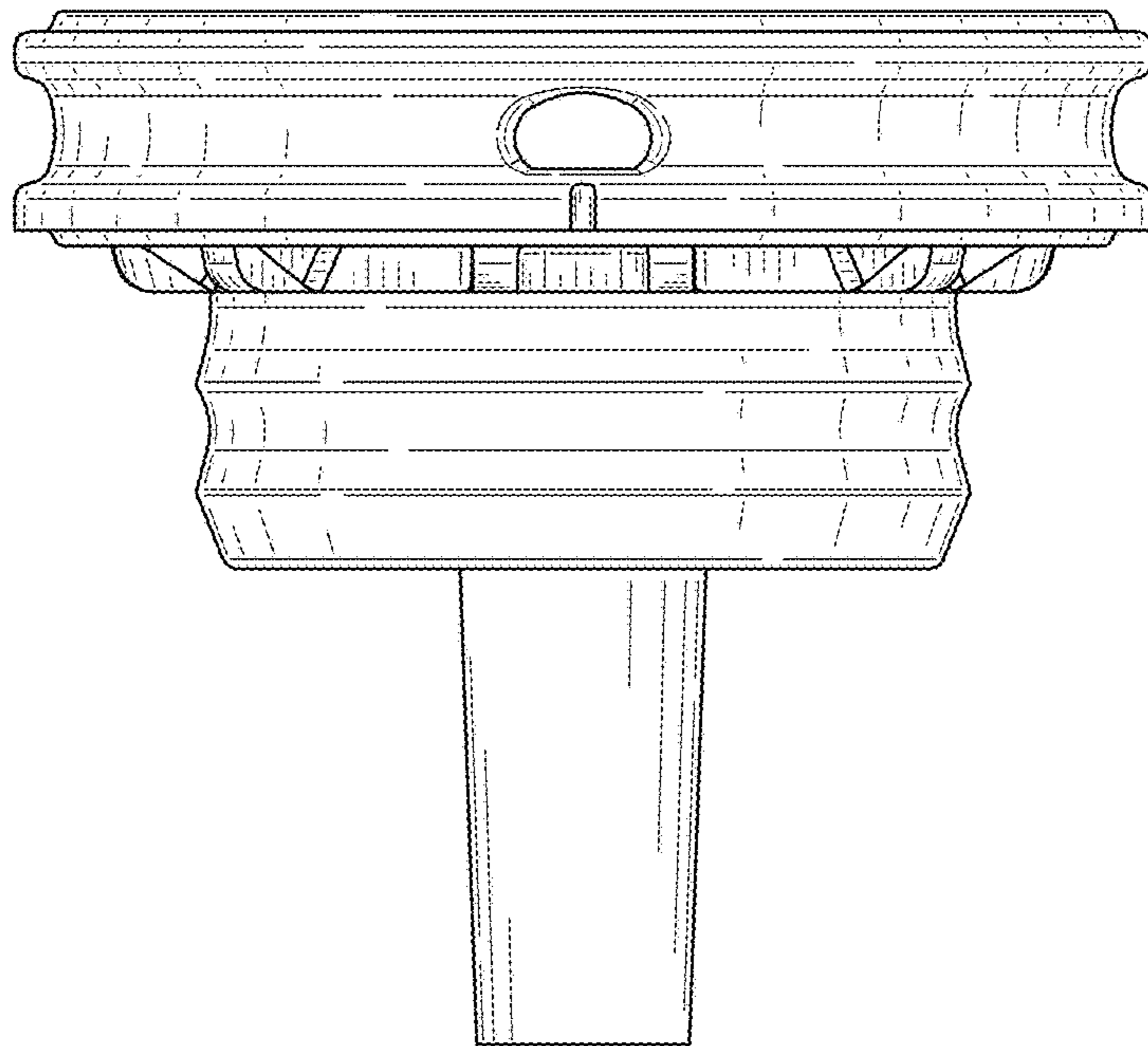


FIG. 2

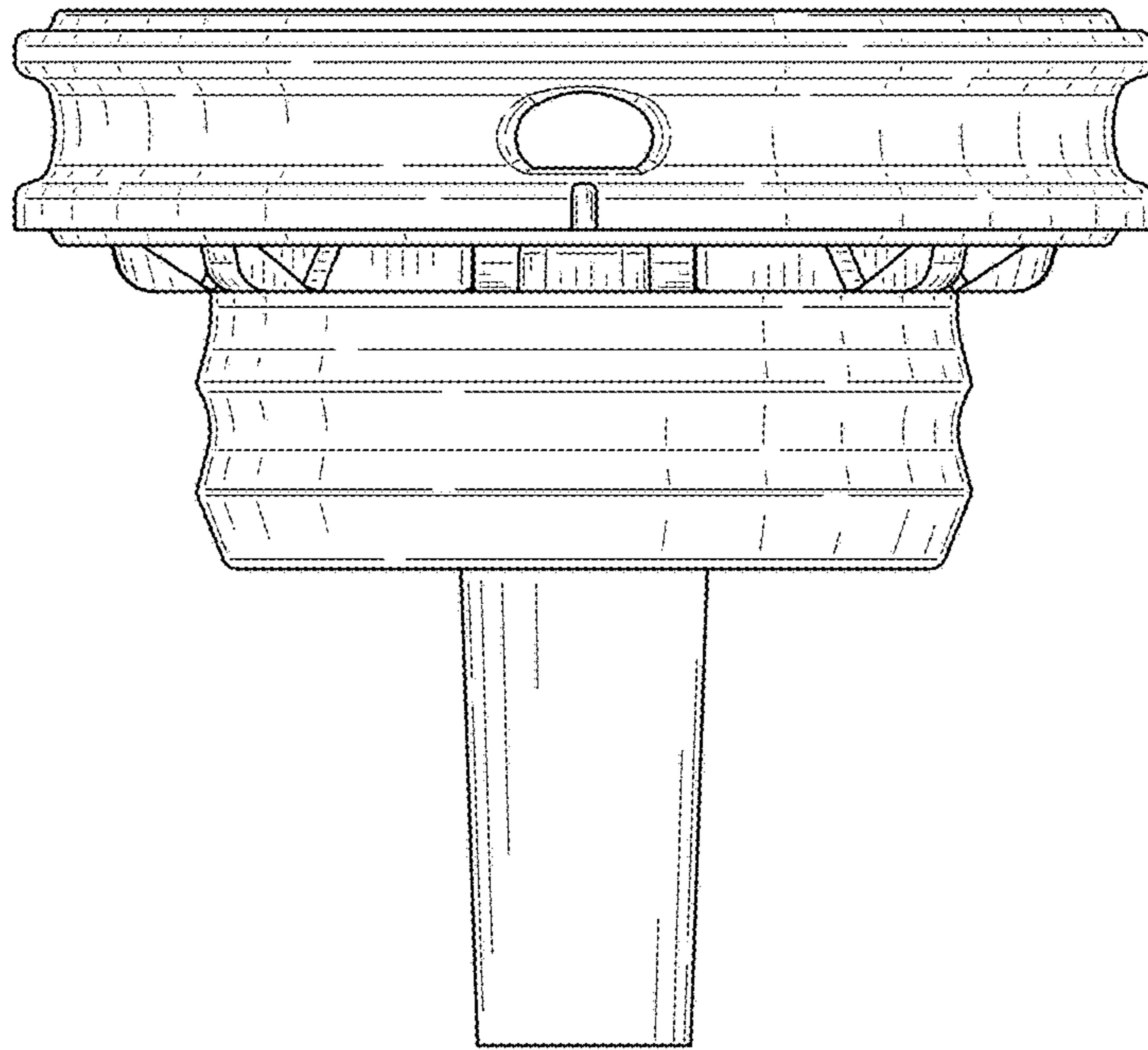


FIG. 3

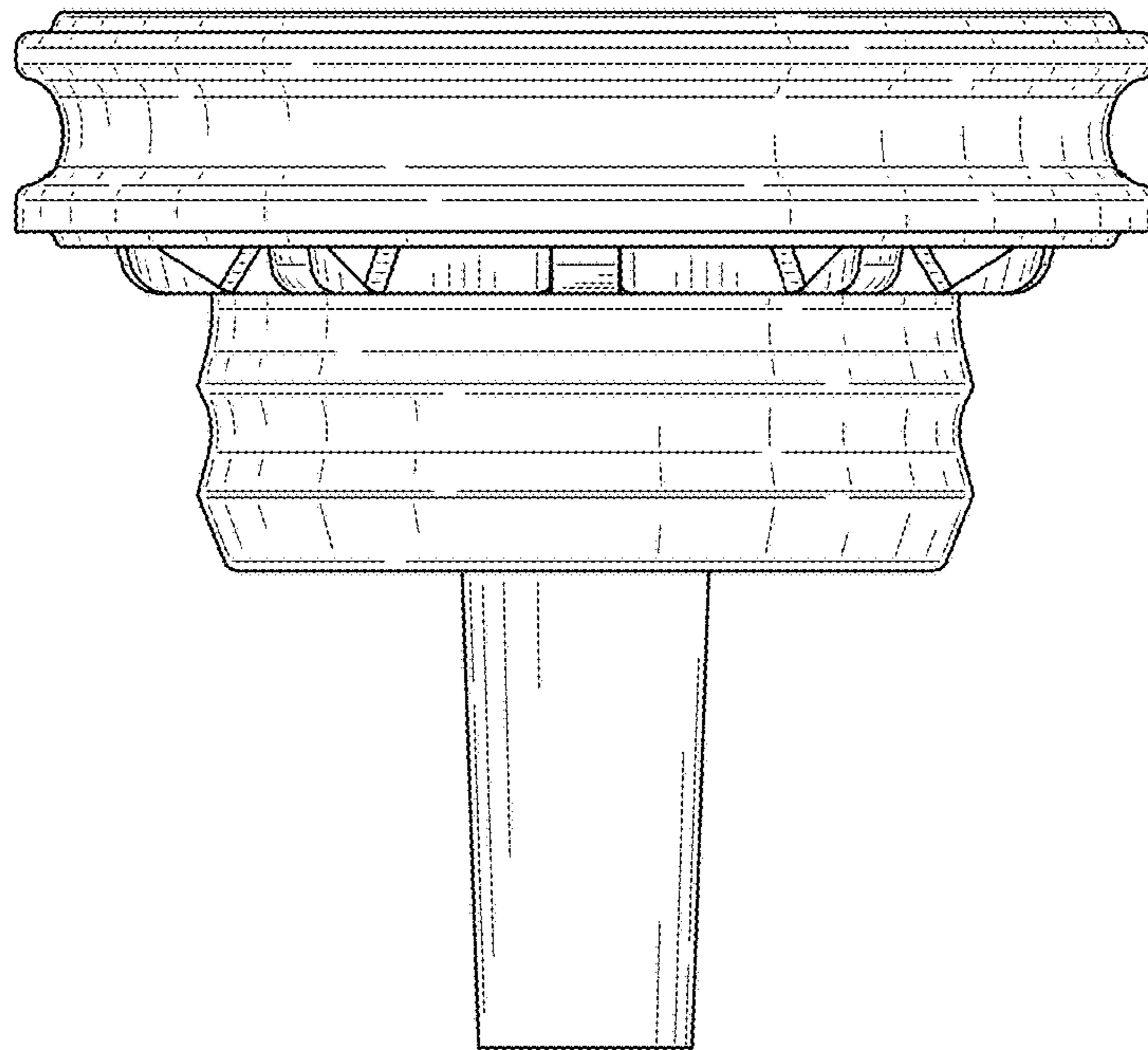


FIG. 4

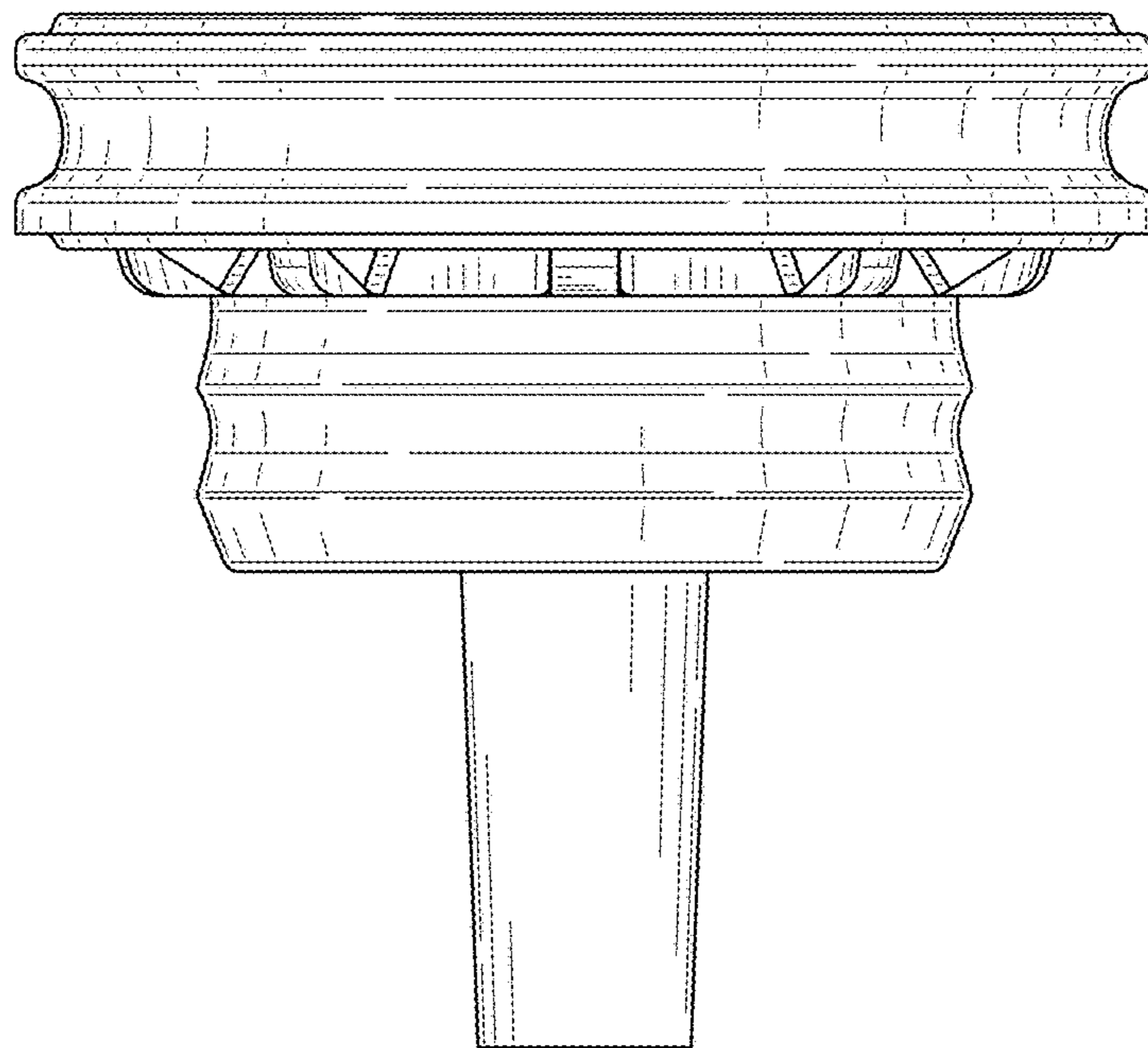


FIG. 5

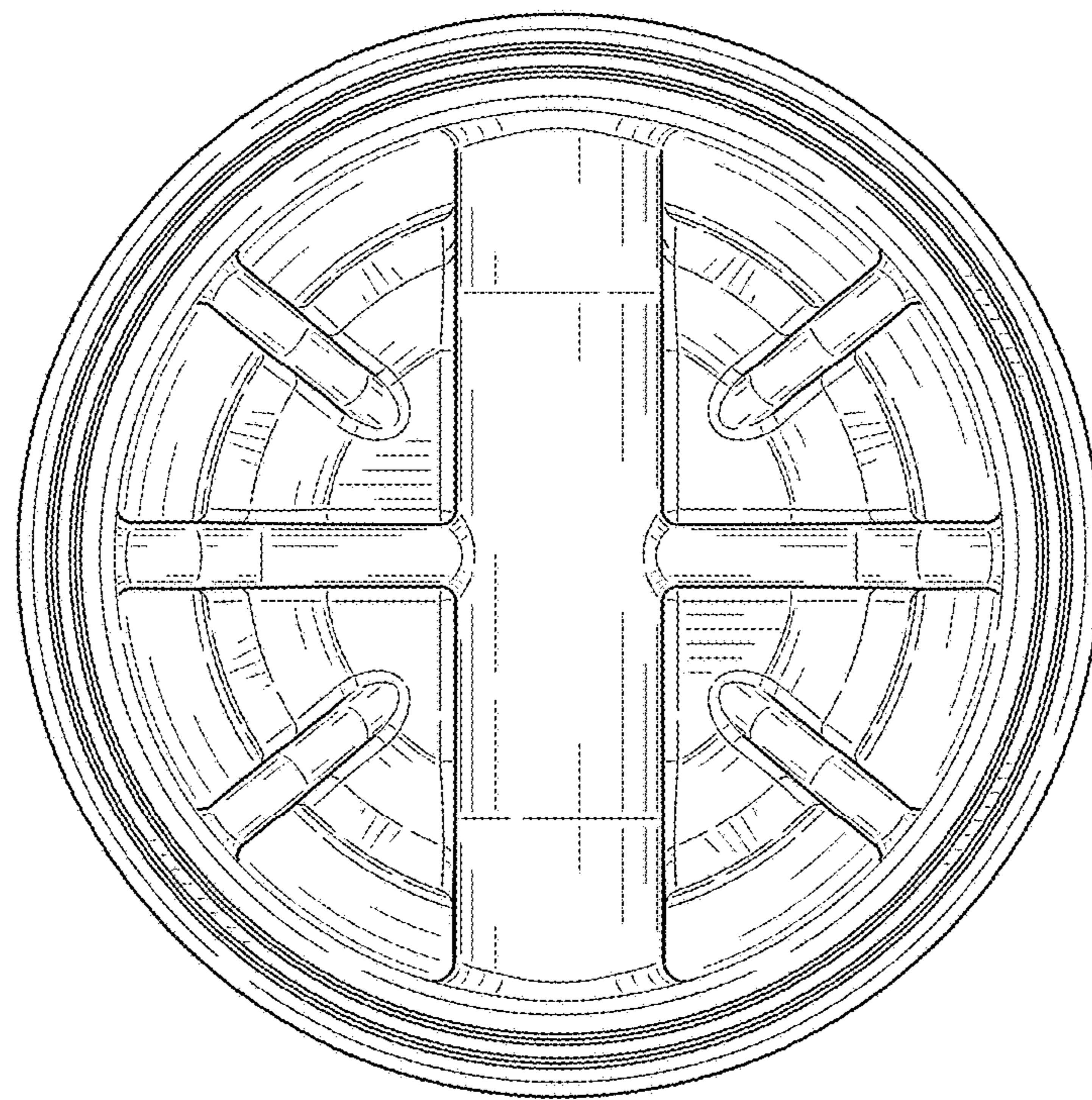


FIG. 6



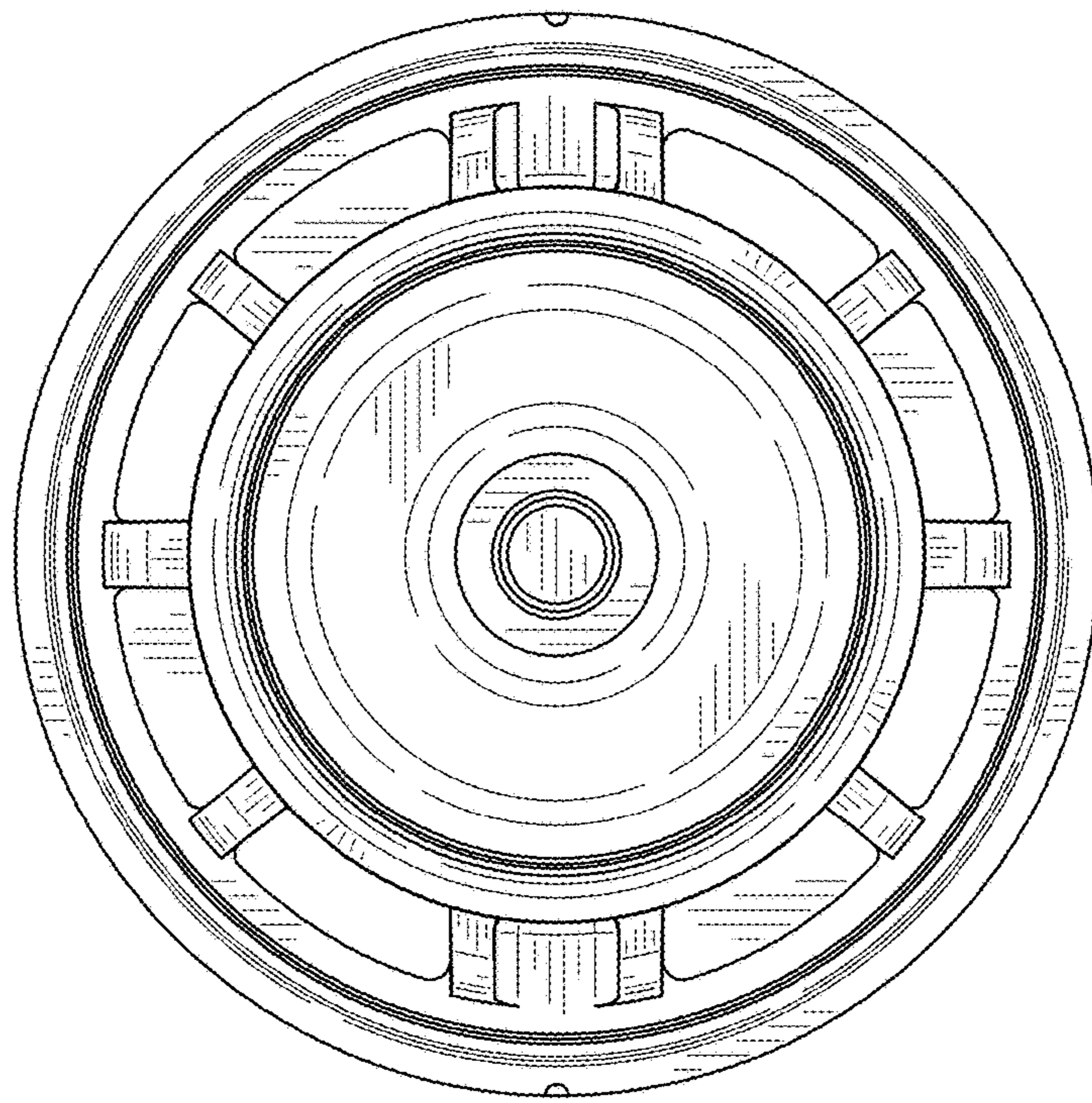


FIG. 7