



US00D856072S

(12) **United States Design Patent** (10) **Patent No.:** **US D856,072 S**
Barber (45) **Date of Patent:** **** Aug. 13, 2019**

(54) **LID FOR A CONTAINER**

D806,467 S * 1/2018 Yao D7/392.1
D813,668 S * 3/2018 Miller D9/446
D825,332 S * 8/2018 Miksovsky D9/446

(71) Applicant: **BRADSHAW INTERNATIONAL, INC.**, Rancho Cucamonga, CA (US)

(72) Inventor: **Tom Barber**, Manhattan Beach, CA (US)

(73) Assignee: **BRADSHAW INTERNATIONAL, INC.**, Rancho Cucamonga, CA (US)

(**) Term: **15 Years**

(21) Appl. No.: **29/638,692**

(22) Filed: **Feb. 28, 2018**

(51) **LOC (12) Cl.** **07-01**

(52) **U.S. Cl.**
USPC **D7/396.2**; D9/446

(58) **Field of Classification Search**
USPC D9/434-436, 438, 440, 443, 446, 447,
D9/449, 452, 454, 499; D7/387, 392,
D7/392.1, 394, 396.1, 396.2
CPC A45F 3/16; A45F 3/20; B65D 47/122;
B65D 47/066
See application file for complete search history.

(56) **References Cited**

U.S. PATENT DOCUMENTS

D680,805 S * 4/2013 Rosbach D7/392.1
D741,176 S * 10/2015 Bell D9/446
D753,998 S * 4/2016 Murphey D9/446
D762,117 S * 7/2016 Joseph D7/387
D763,076 S * 8/2016 Lane D9/446
D767,390 S * 9/2016 Miksovsky D7/392.1
D776,533 S * 1/2017 Kikel D9/446

OTHER PUBLICATIONS

Contigo. Couture Thermalock Vacuum-Insulated Stainless Steel Water Bottle. 2018. <URL:https://www.gocontigo.com/contigo-couture-thermalock-vacuum-insulated-stainless-steel-water-bottle-20-oz-1.html>. (Year: 2018).*

* cited by examiner

Primary Examiner — George D. Kirschbaum

Assistant Examiner — Darcey E Gottschalk

(74) *Attorney, Agent, or Firm* — Birch, Stewart, Kolasch & Birch, LLP

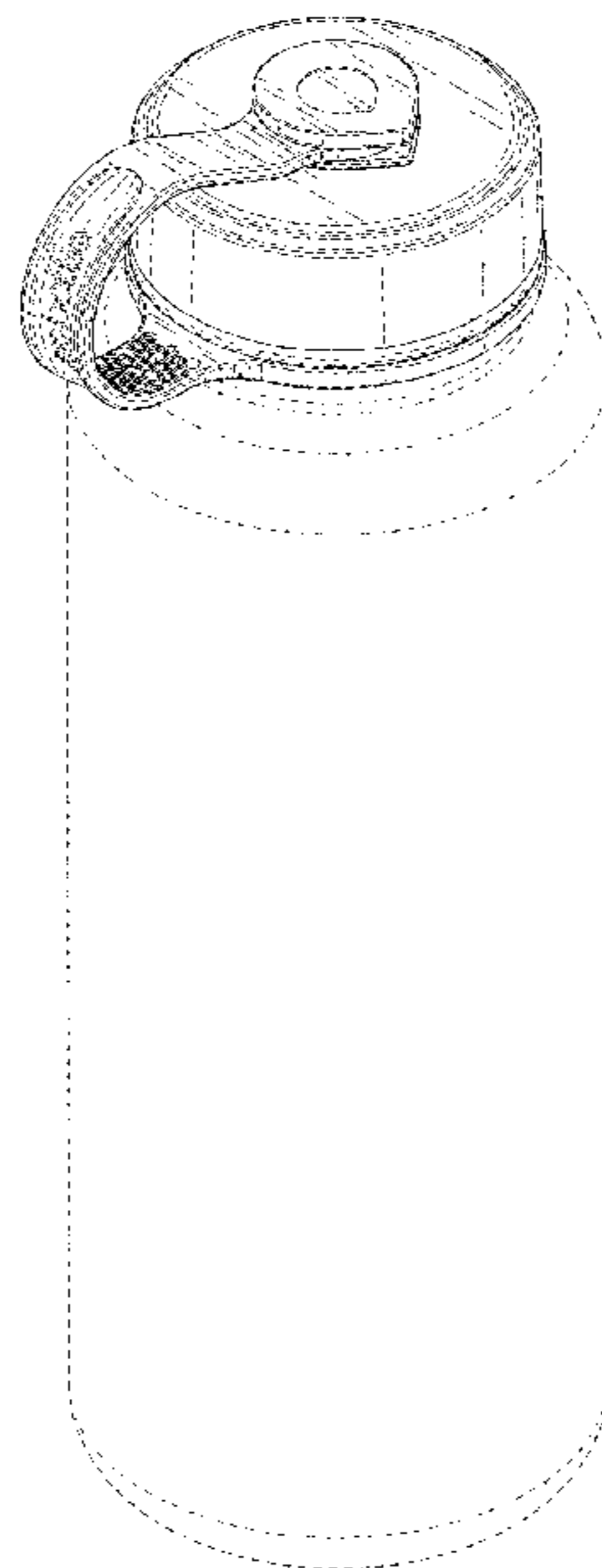
(57) **CLAIM**

The ornamental design for a lid for a container, as shown and described.

DESCRIPTION

FIG. 1 is a front, top, right perspective view of a lid for a container showing my new design;
FIG. 2 is a rear view thereof;
FIG. 3 is a front view thereof;
FIG. 4 is a right side view thereof;
FIG. 5 is a left side view thereof;
FIG. 6 is a top plan view thereof; and,
FIG. 7 is a bottom plan view thereof.
The broken lines in the Figures are for the purpose of illustrating portions of the lid for a container and form no part of the claimed design.

1 Claim, 6 Drawing Sheets



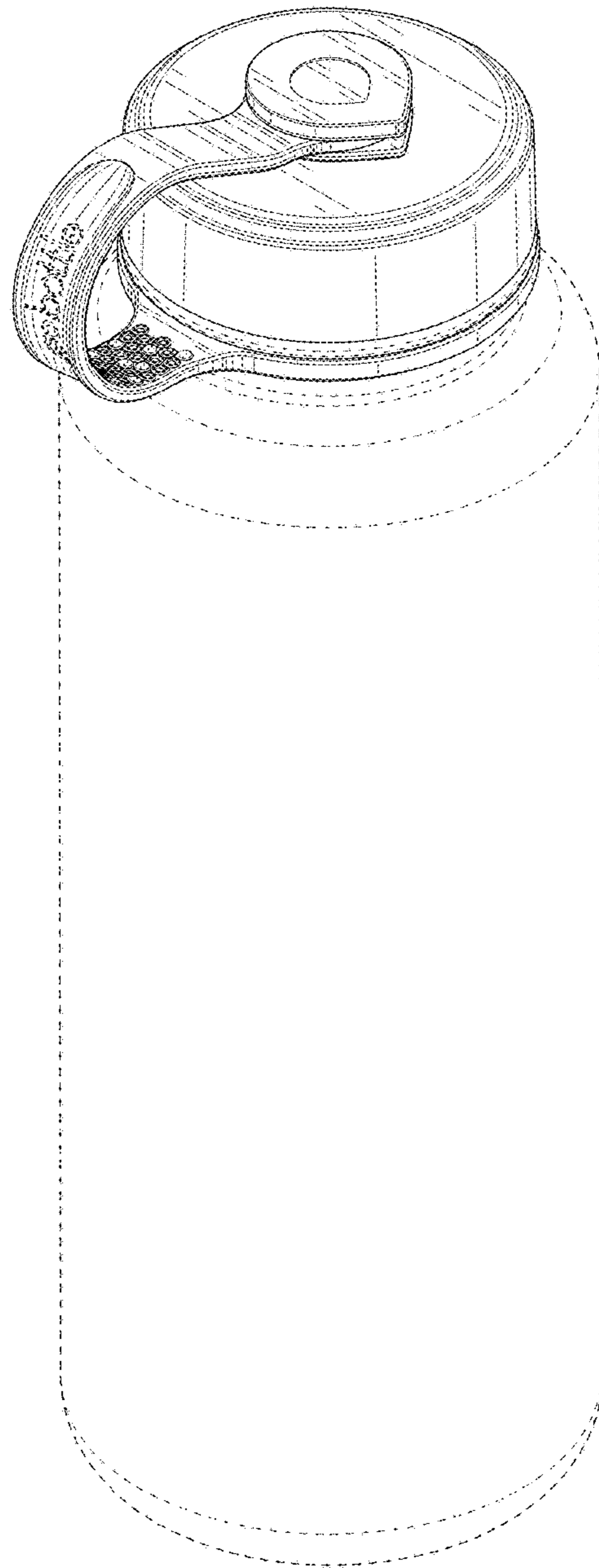


FIG. 1

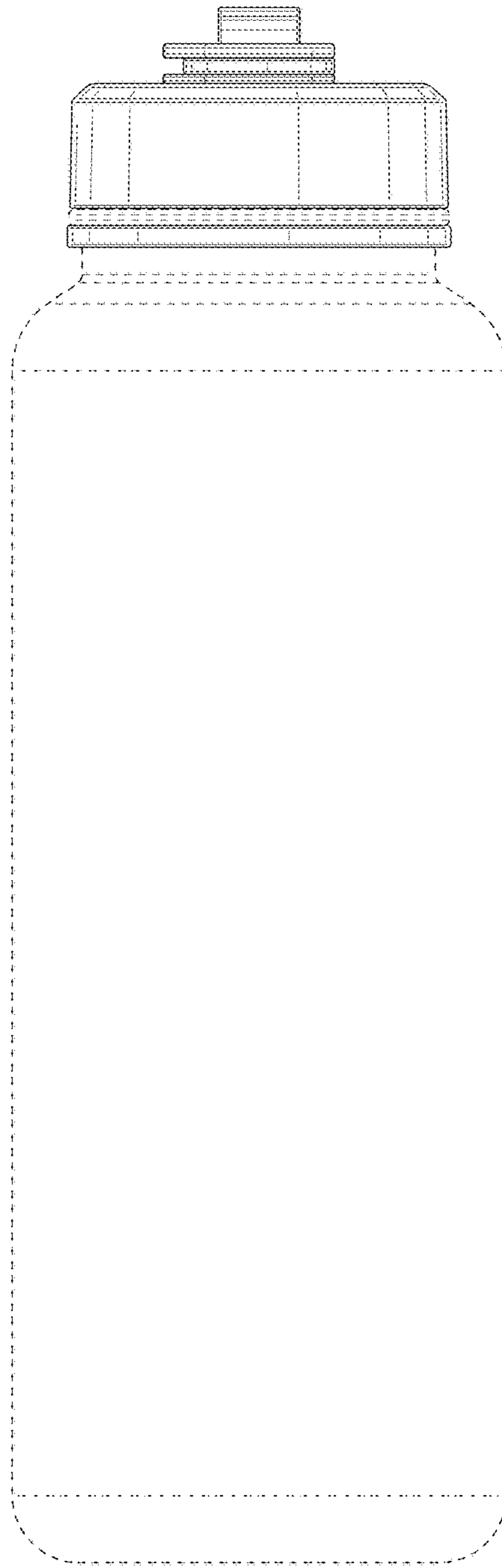


FIG. 2

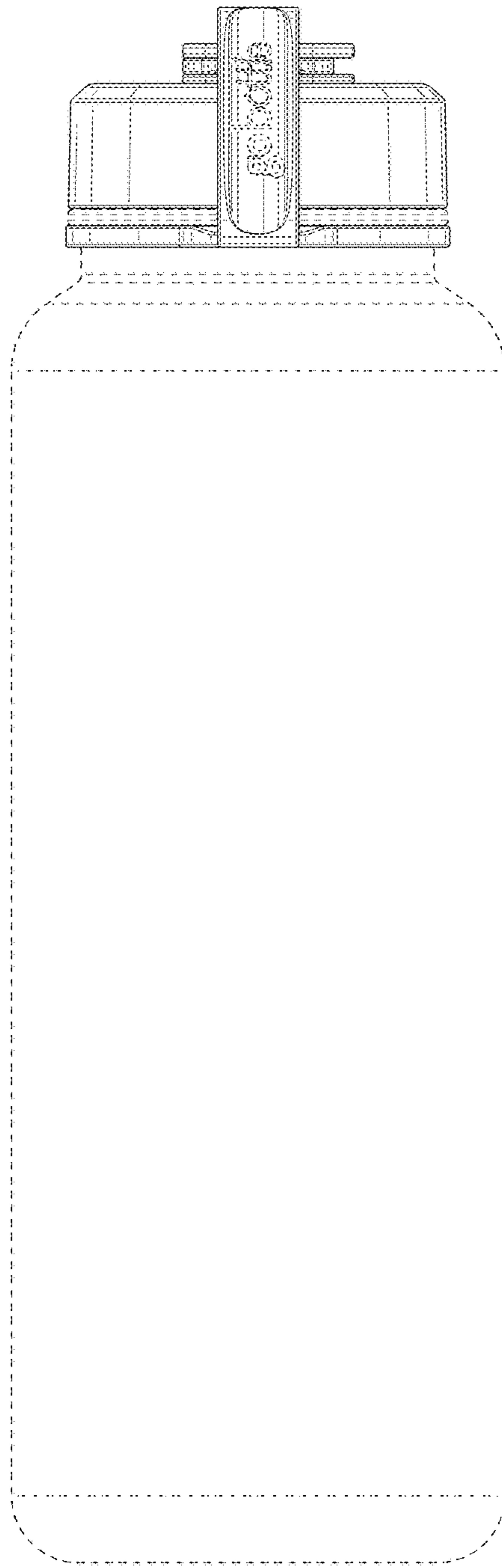


FIG. 3

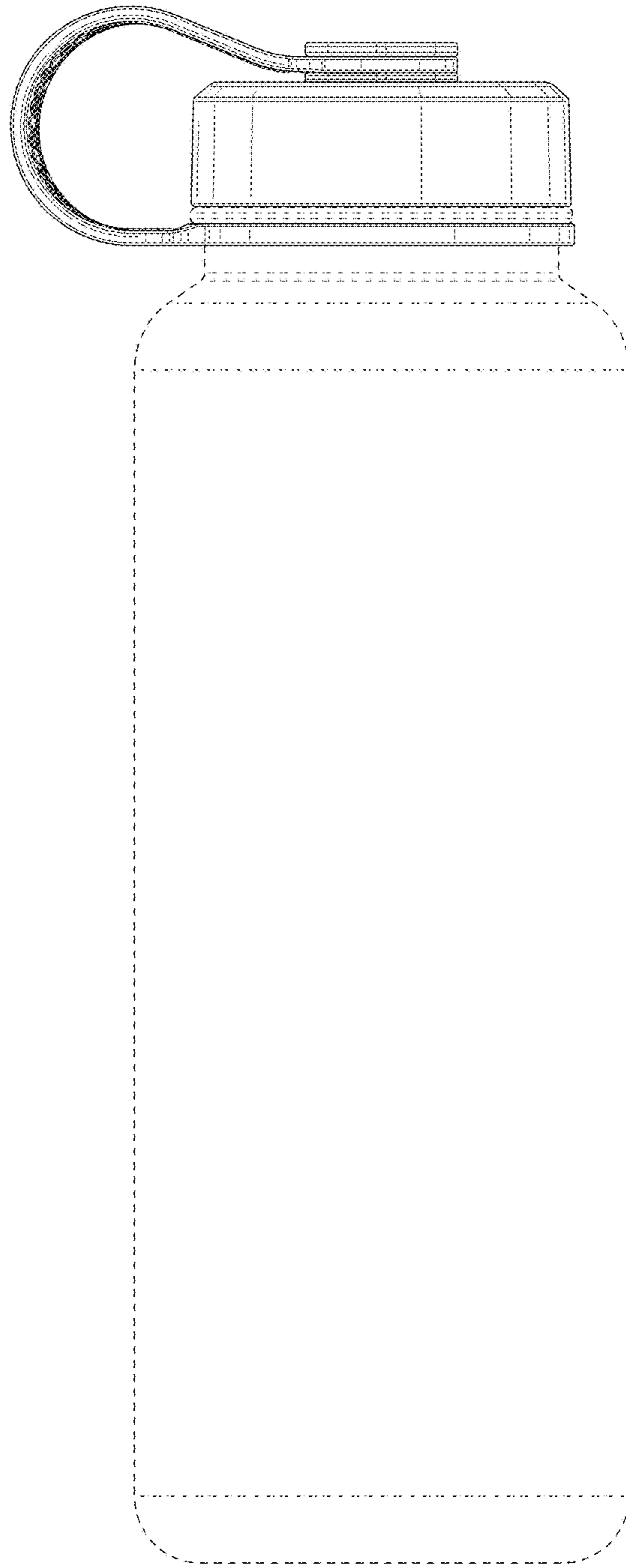


FIG. 4



FIG. 5

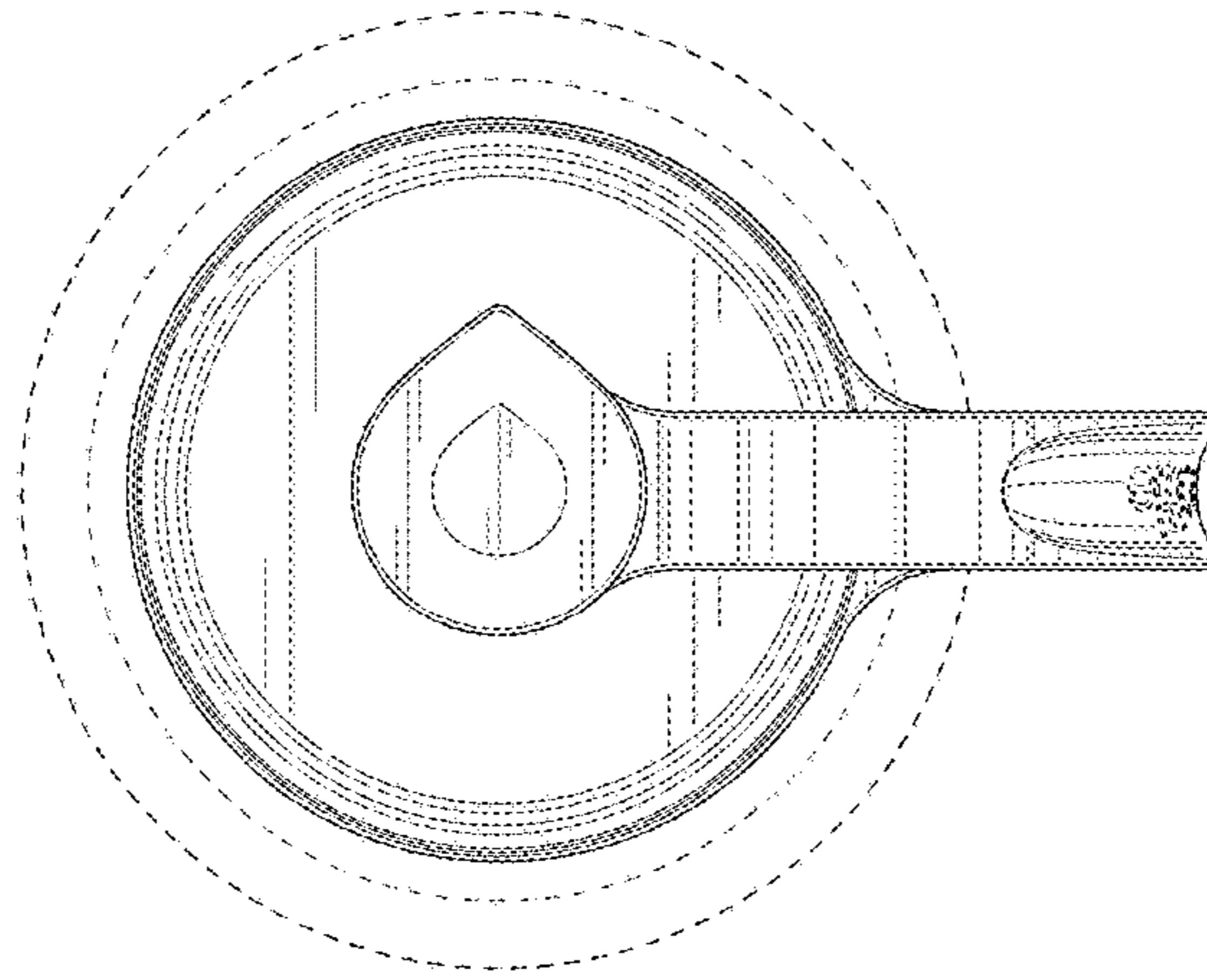


FIG. 6

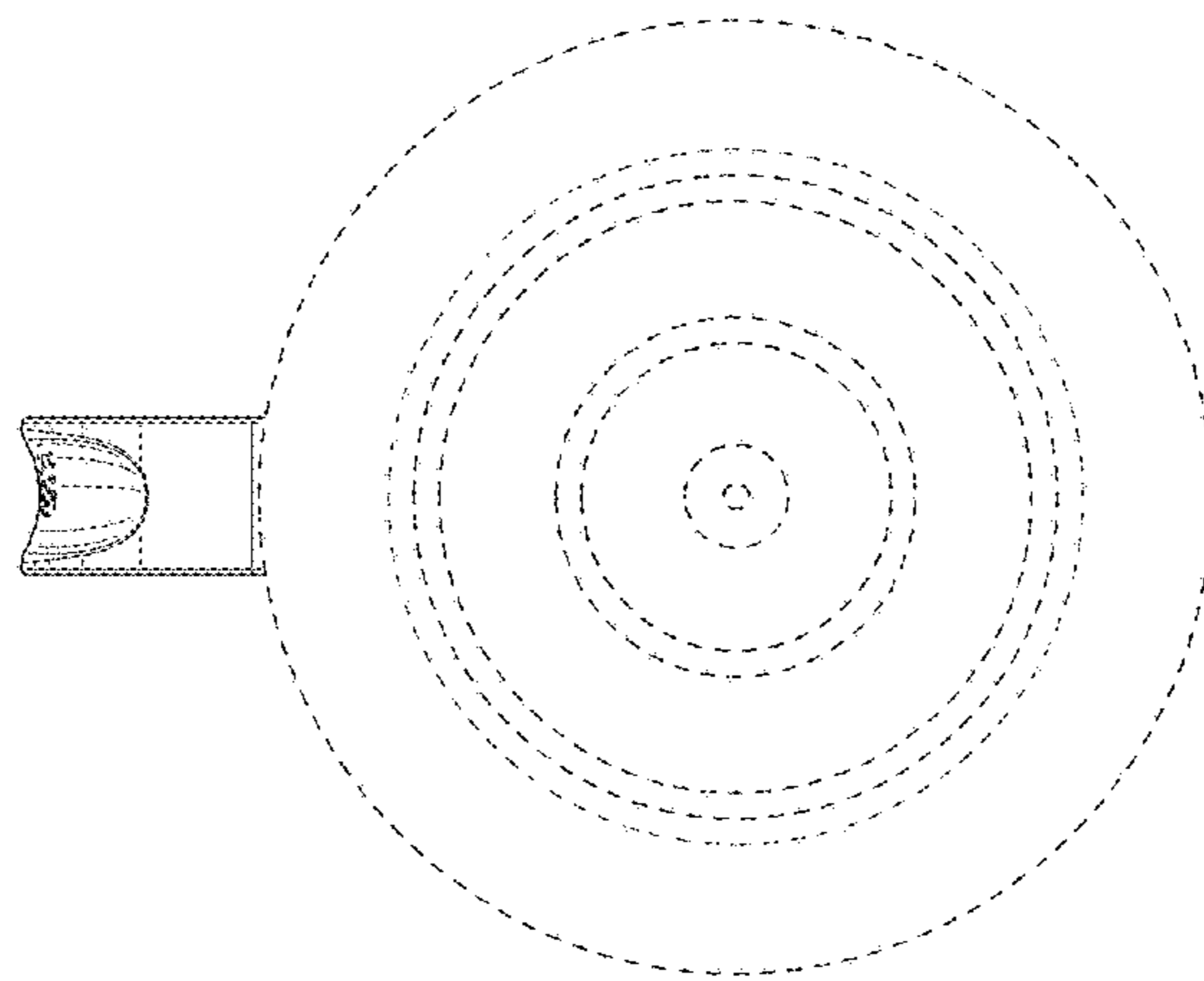


FIG. 7