



US00D856071S

(12) **United States Design Patent** (10) **Patent No.:** **US D856,071 S**
Esterman (45) **Date of Patent:** **** Aug. 13, 2019**

(54) **KITCHEN TOOL WITH CURVED HANDLE**

(71) Applicant: **Margaret Esterman**, Salt Lake City, UT (US)

(72) Inventor: **Margaret Esterman**, Salt Lake City, UT (US)

(73) Assignee: **Margaret Esterman**, Salt Lake City, UT (US)

(**) Term: **15 Years**

(21) Appl. No.: **29/603,556**

(22) Filed: **May 10, 2017**

(51) **LOC (12) Cl.** **07-02**

(52) **U.S. Cl.**
USPC **D7/395**

(58) **Field of Classification Search**
USPC D7/354-361, 393-395, 401.2, 664;
D8/107, 300, 303, 307, 313, 321;
D4/138, 129; D21/493
CPC A47J 45/06; A47J 45/061; A47J 45/62;
A47J 45/071; A47J 45/072; A47J 45/08;
A47J 45/085
See application file for complete search history.

(56) **References Cited**

U.S. PATENT DOCUMENTS

D174,607 S *	5/1955	Anderson	D7/692
D175,450 S *	8/1955	Weiss	D32/49
D243,383 S *	2/1977	Ploszaj	D7/300.2
D470,541 S *	2/2003	Manville	D21/493
D471,599 S *	3/2003	Manville	D21/493
D527,944 S *	9/2006	Brooks	D7/395
7,182,377 B2	2/2007	Grundler		
D541,599 S *	5/2007	Quattromani	D7/688
D575,101 S *	8/2008	Germany	D7/395
D778,108 S *	2/2017	Keating	D7/395
D832,663 S *	11/2018	Kopke	D7/664
2011/0191975 A1	8/2011	Genatossio		

OTHER PUBLICATIONS

Photographs of kitchen tool, available at least as early as Apr. 2016, based on information and belief, 4 pages.

* cited by examiner

Primary Examiner — Cynthia M. Chin

(74) *Attorney, Agent, or Firm* — Workman Nydegger

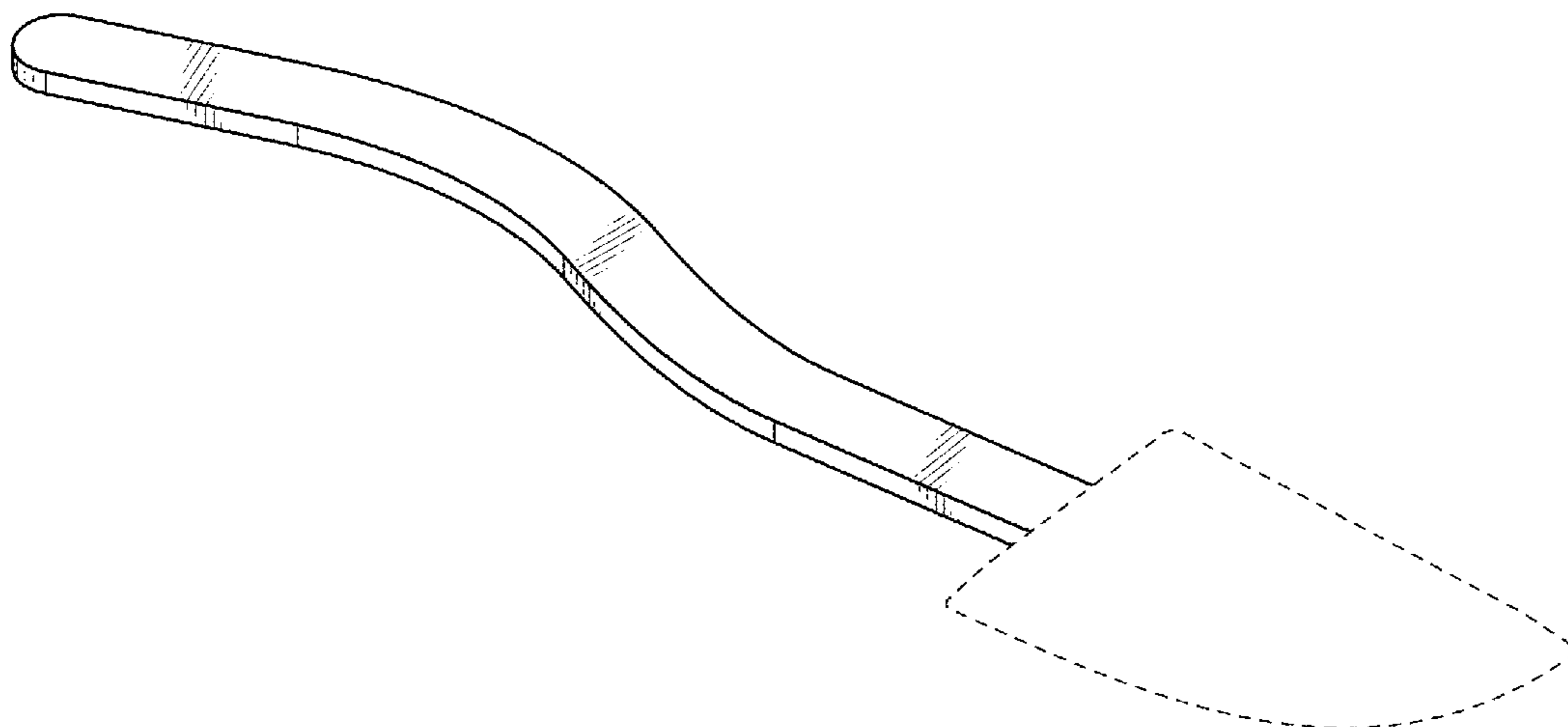
(57) **CLAIM**

The ornamental design for a kitchen tool with curved handle, as shown and described.

DESCRIPTION

FIG. 1 is a perspective view of a kitchen tool with curved handle according to the present invention; FIG. 2 is another perspective view of the kitchen tool with curved handle of FIG. 1; FIG. 3 is a top view of the kitchen tool with curved handle of FIG. 1; FIG. 4 is a bottom view of the kitchen tool with curved handle of FIG. 1; FIG. 5 is a first side elevational view of the kitchen tool with curved handle of FIG. 1; FIG. 6 is an opposite side elevational view of the kitchen tool with curved handle of FIG. 1; FIG. 7 is a first end view of the kitchen tool with curved handle of FIG. 1; FIG. 8 is an opposite end view of the kitchen tool with curved handle of FIG. 1; and, FIG. 9 illustrates a distal end of the kitchen tool with curved handle of FIG. 1 being inserted into a jar, shown in broken lines, by a person's hand, also shown in broken lines. The objects shown in broken lines are shown for environmental purposes only and form no part of the claimed design.

1 Claim, 4 Drawing Sheets



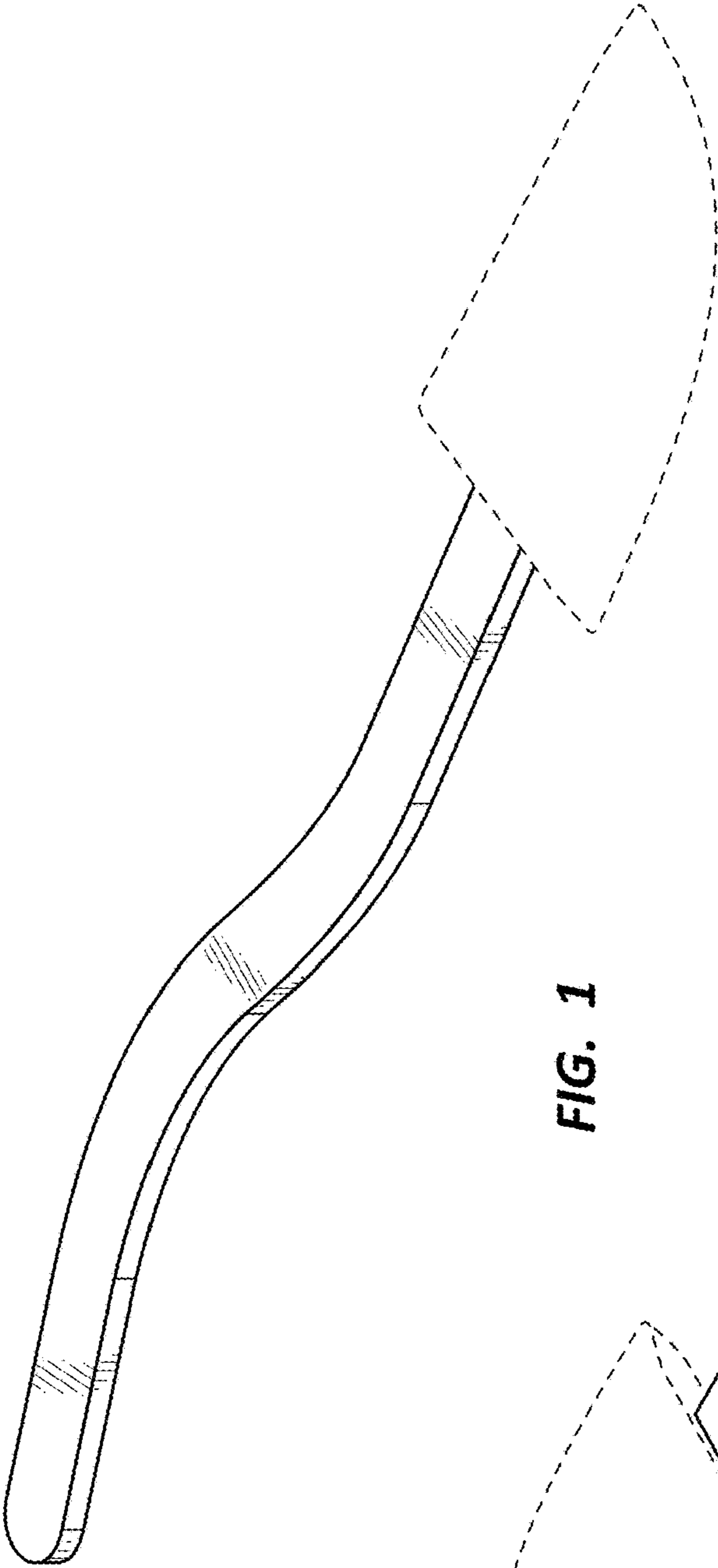


FIG. 1

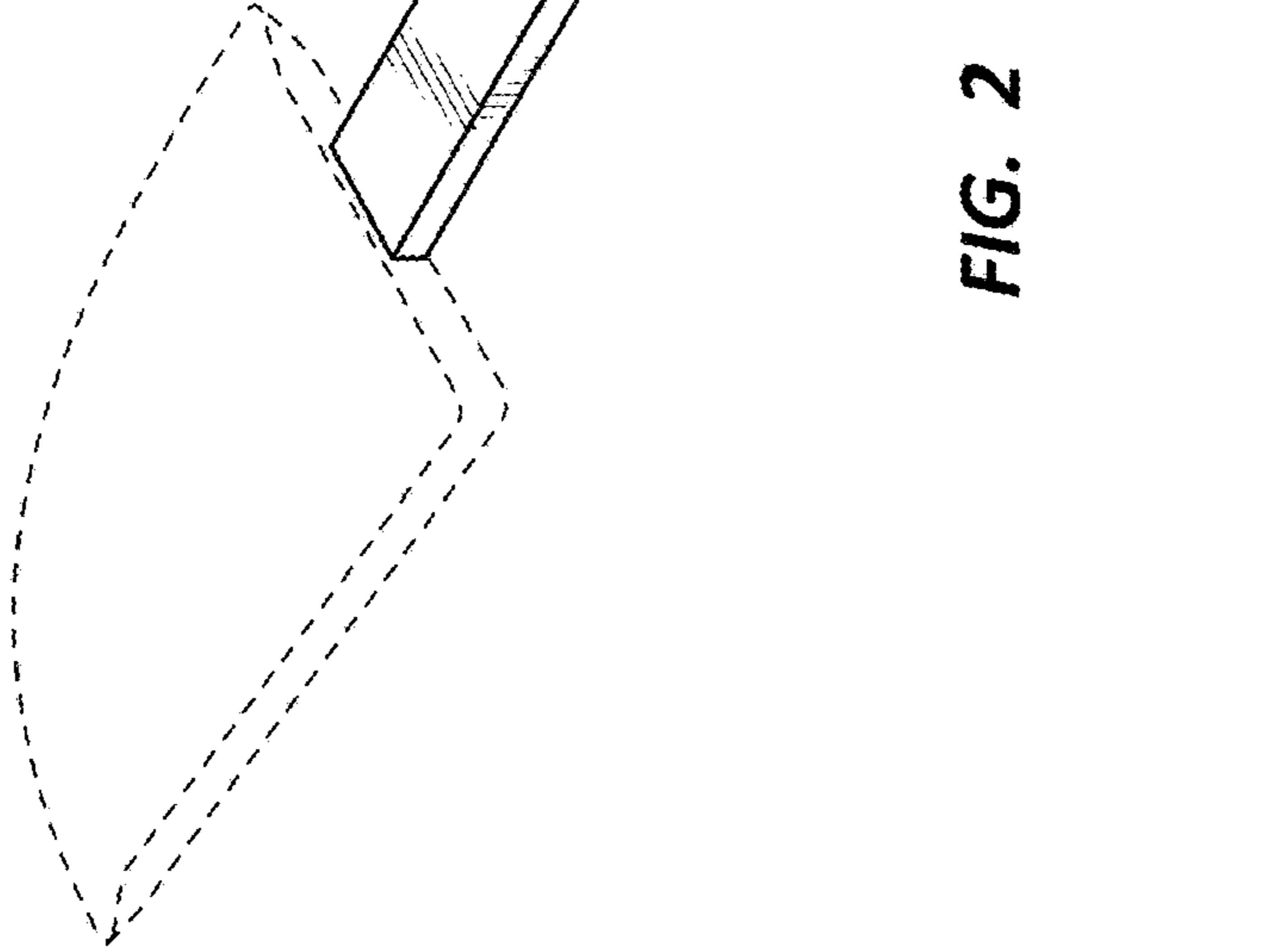


FIG. 2

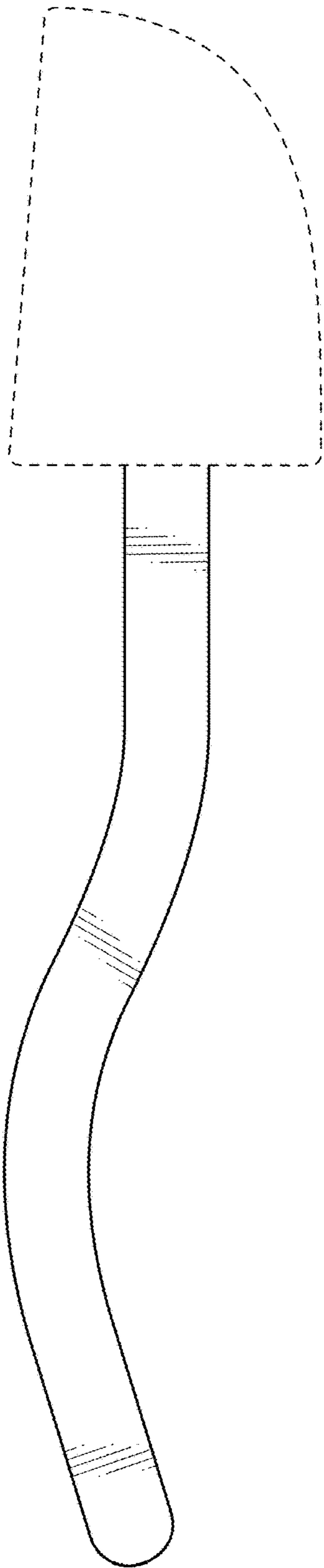


FIG. 3

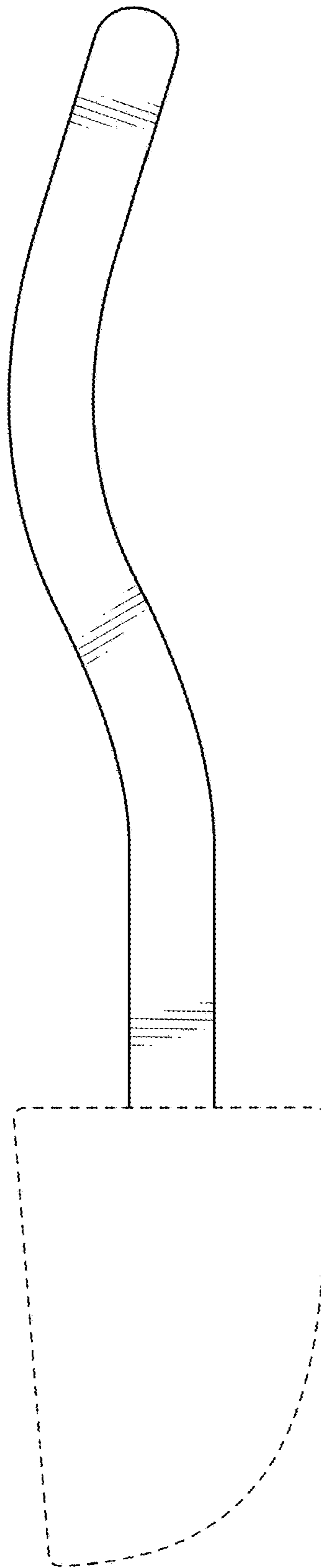


FIG. 4



FIG. 5

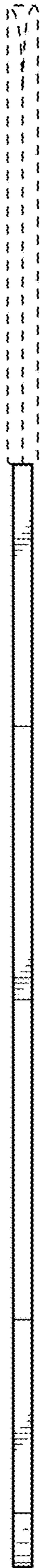


FIG. 6

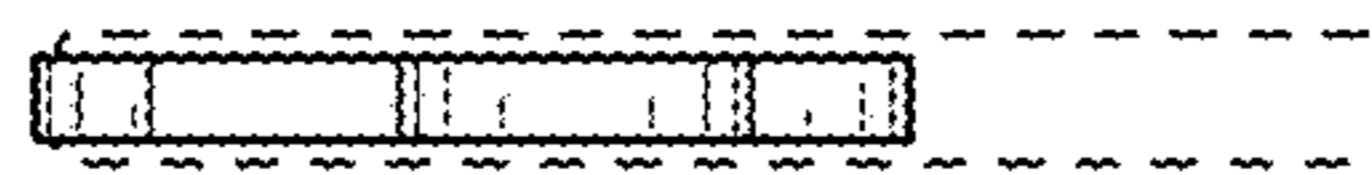


FIG. 7



FIG. 8

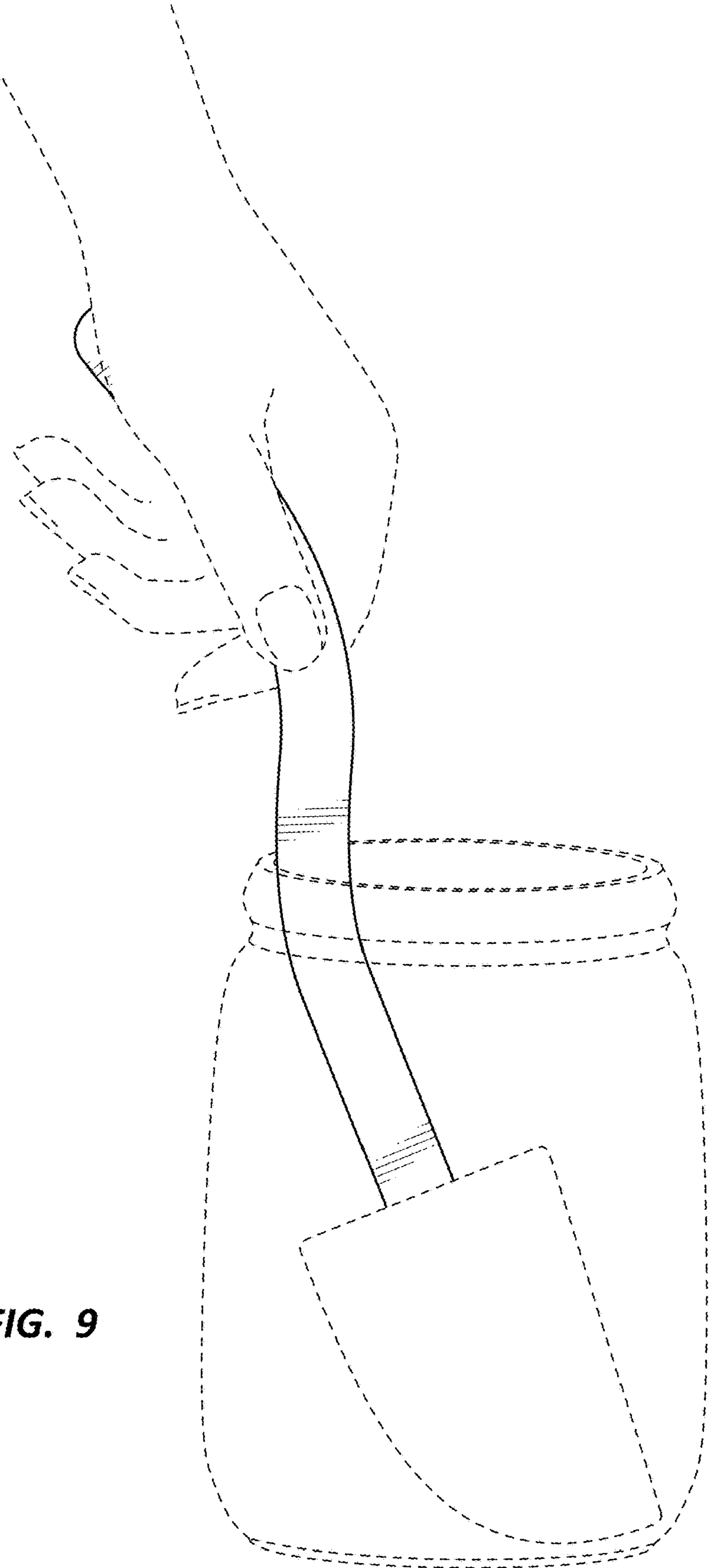


FIG. 9