



US00D856070S

(12) **United States Design Patent** (10) **Patent No.:** **US D856,070 S**
Baron et al. (45) **Date of Patent:** **** Aug. 13, 2019**

- (54) **MASON JAR LID**
- (71) Applicant: **MASONTOPS, INC.**, Toronto (CA)
- (72) Inventors: **Philip Baron**, Toronto (CA); **Michael Bacher**, Toronto (CA)
- (73) Assignee: **Masontops, Inc.**, Toronto, Ontario, CA (US)
- (**) Term: **15 Years**
- (21) Appl. No.: **29/663,021**
- (22) Filed: **Sep. 11, 2018**

Related U.S. Application Data

- (63) Continuation of application No. 29/604,259, filed on May 16, 2017, now Pat. No. Des. 828,085.
- (51) **LOC (12) Cl.** **07-99**
- (52) **U.S. Cl.**
USPC **D7/392.1; D9/454; D9/443**
- (58) **Field of Classification Search**
USPC D7/391, 510, 511, 538, 540, 542, 543, D7/544, 545, 629, 392.1, 392; D9/452, D9/453, 454, 435, 447, 449, 780, 434, D9/440
CPC ... A47G 19/2205; A47G 19/2222; A45F 3/16; A45F 3/20; B67D 7/06; B67D 1/0004; B65D 25/14; B65D 47/065; B65D 47/066
See application file for complete search history.

(56) **References Cited**

U.S. PATENT DOCUMENTS

- 5,529,217 A * 6/1996 Siegel A45F 3/20 215/229
- D500,677 S 1/2005 Druitt
- D501,362 S 2/2005 Gauss
- D517,322 S 3/2006 Zettle et al.
- D651,044 S 12/2011 Gilbert
- D674,241 S * 1/2013 Bickert D7/510
- D680,805 S 4/2013 Rosbach

- D697,366 S 1/2014 Kristinik
- D714,146 S 9/2014 King et al.
- D721,963 S 2/2015 Finkbohner et al.
- D723,370 S 3/2015 Medlin
- D727,152 S 4/2015 Yaseen
- D756,221 S 5/2016 Koop et al.
- D756,710 S 8/2016 Greenfield
- D763,690 S 8/2016 Greenfield

(Continued)

OTHER PUBLICATIONS

Masontops.com, Tough Tops—Ourable & Leak-Proof Mason Jar Lids, Publication date unknown, [site visited Apr. 10, 2018], Available on the Internet URL <https://www.masontops.com/collections/storage-solutions/products/tough-tops-leak-proof-reusable-mason-jar-storage-lids-wide-mouth>.

Primary Examiner — Karen S Acker

Assistant Examiner — Steven B Reinholdt, Jr.

(74) *Attorney, Agent, or Firm* — McAndrews, Held & Malloy, Ltd.

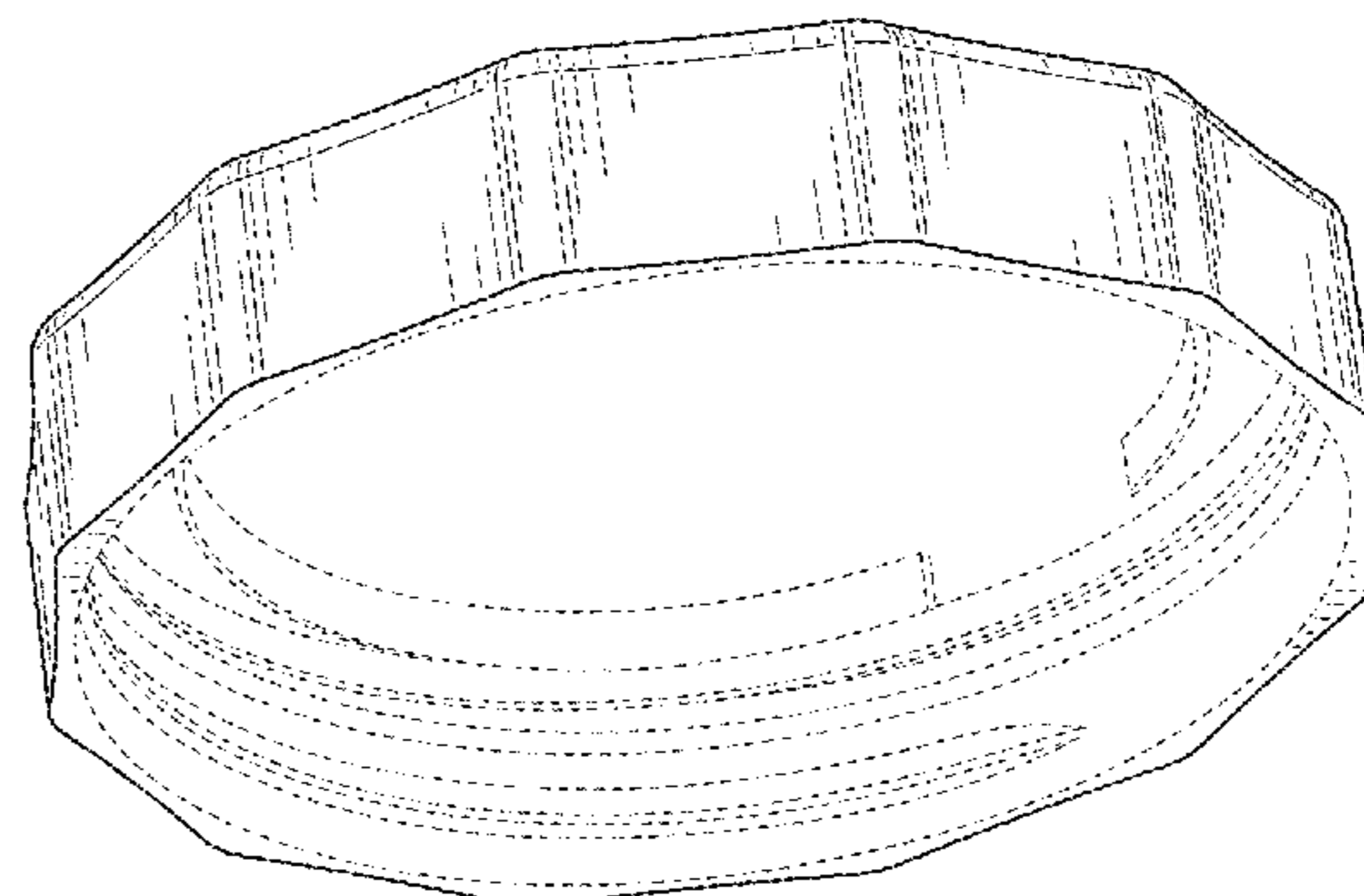
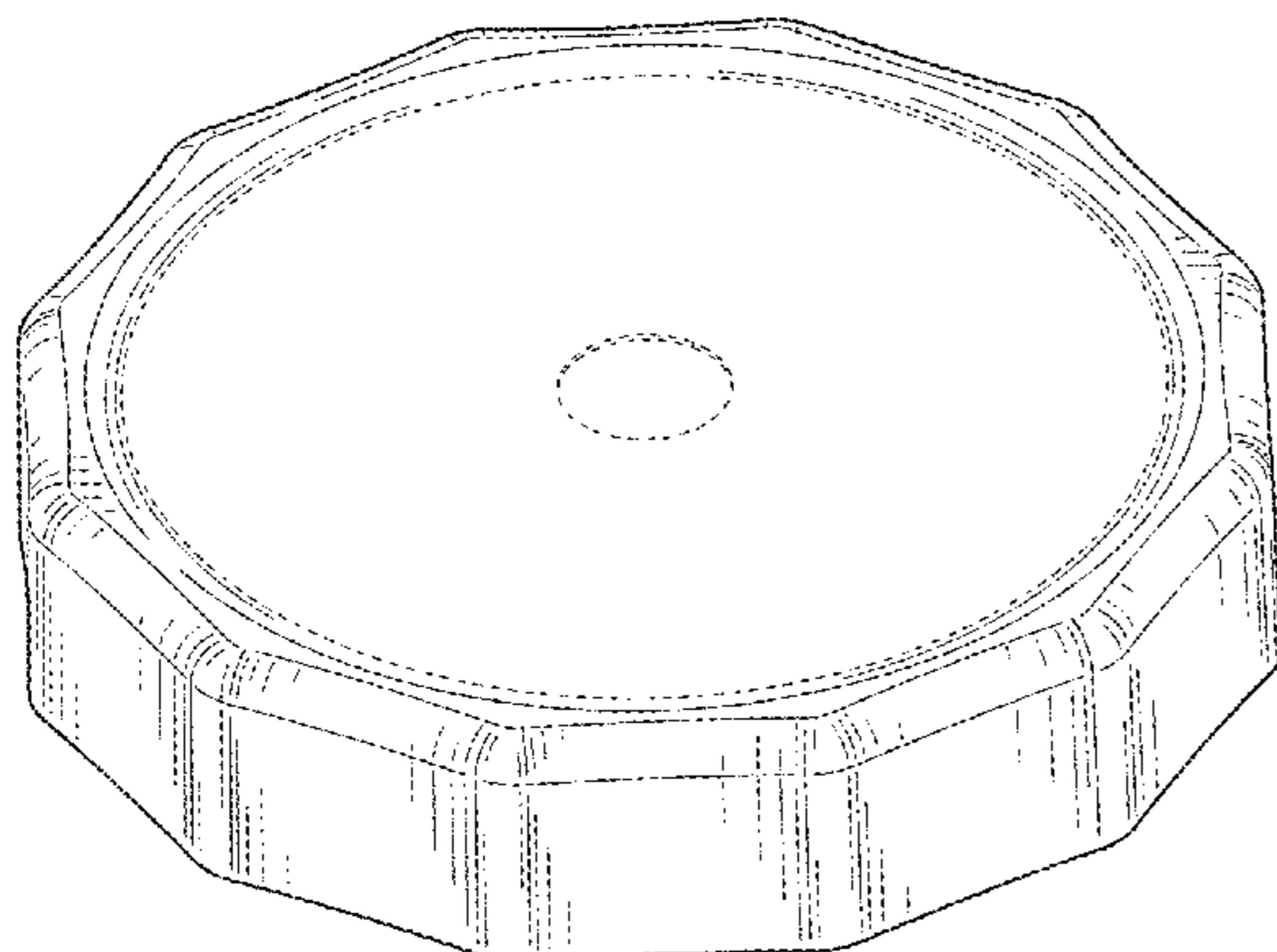
(57) **CLAIM**

The ornamental design for a mason jar lid, as shown and described.

DESCRIPTION

FIG. 1 is a top front perspective view of a mason jar lid showing our new design;
FIG. 2 is a bottom rear perspective view thereof;
FIG. 3 is a bottom front perspective view thereof;
FIG. 4 is a front elevation view thereof;
FIG. 5 is a rear elevation view thereof;
FIG. 6 is a right side elevation view thereof;
FIG. 7 is a left side elevation view thereof;
FIG. 8 is a top plan view thereof; and,
FIG. 9 is a bottom plan view thereof.
The dashed broken lines in the figures illustrate portions of the mason jar lid that form no part of the claimed design.

1 Claim, 4 Drawing Sheets



(56)

References Cited

U.S. PATENT DOCUMENTS

D769,069 S 10/2016 Sanbar
D769,119 S 10/2016 Hooker et al.
D799,269 S 10/2017 Vargo
D799,272 S * 10/2017 Pisarevsky D7/511
D804,907 S * 12/2017 Sandoval D7/510
D813,671 S * 3/2018 Arthur, IV D9/452
D828,085 S * 9/2018 Baron D7/392.1
D838,140 S * 1/2019 Furneaux D7/510
D839,739 S * 2/2019 Stammen D9/454
D839,740 S * 2/2019 Stammen D9/454
2015/0320246 A1 * 11/2015 Jorge A47G 19/2222
220/592.17
2017/0055743 A1 * 3/2017 Jorge A47G 19/2222

* cited by examiner

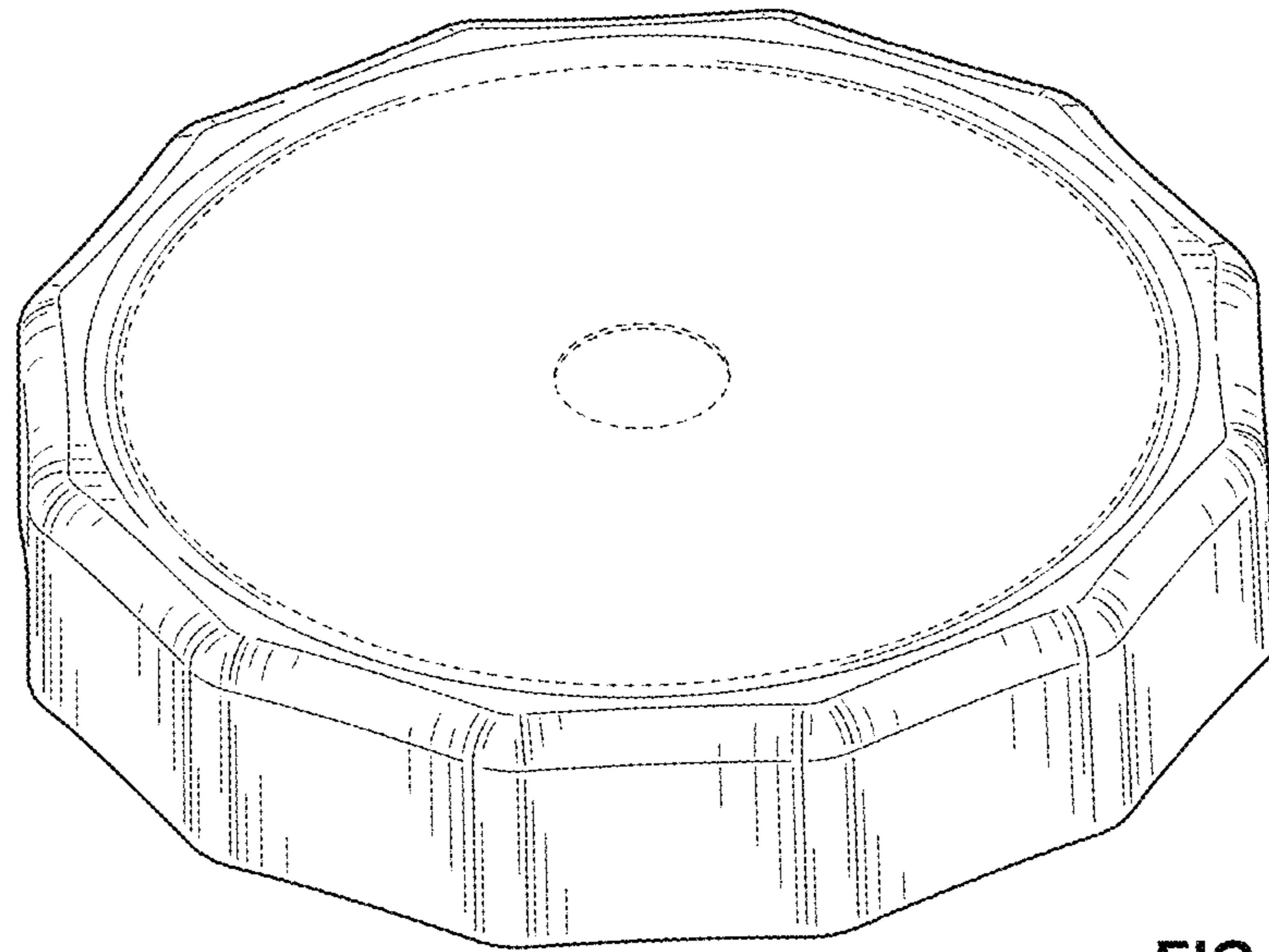


FIG. 1

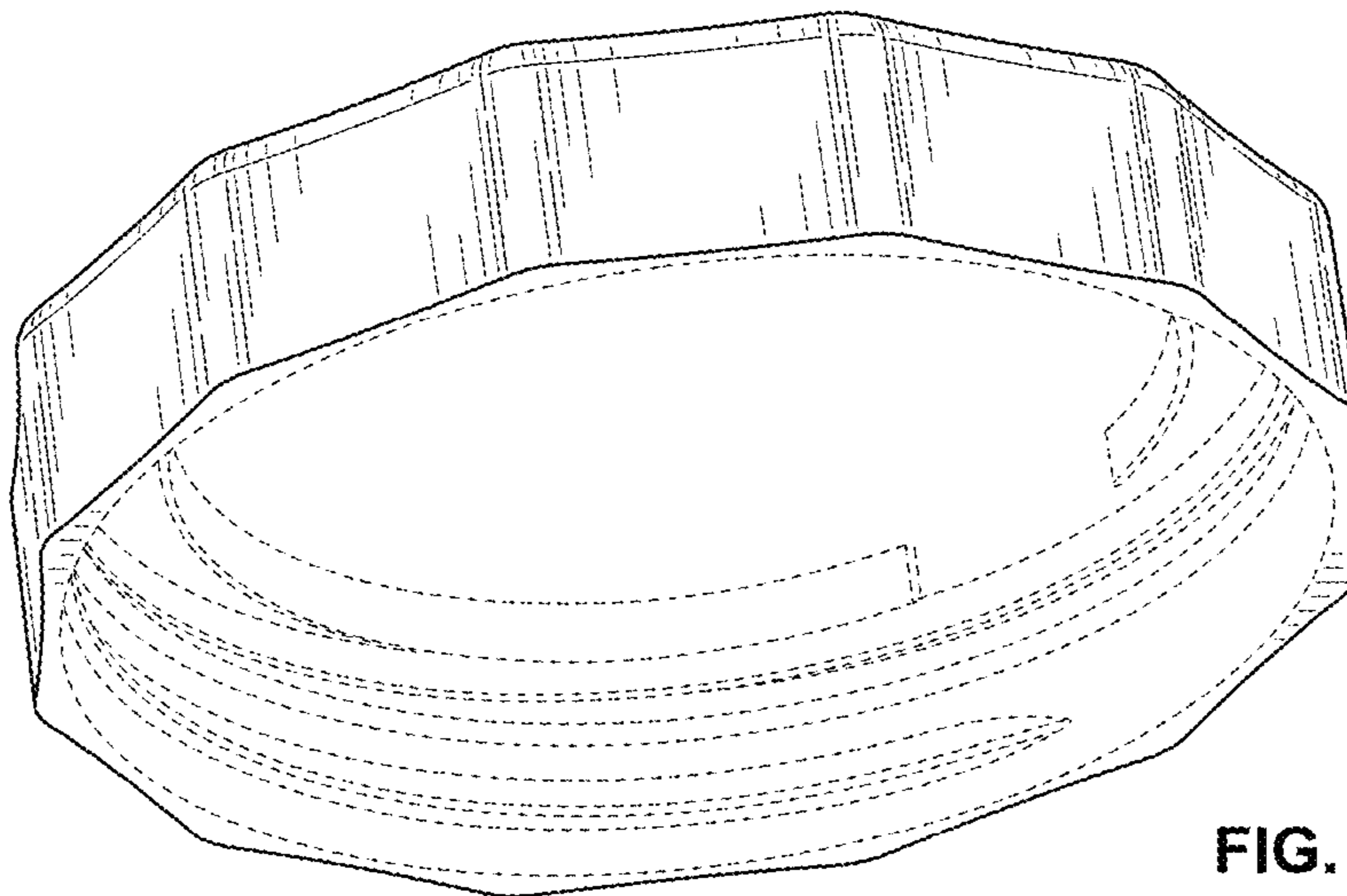


FIG. 2

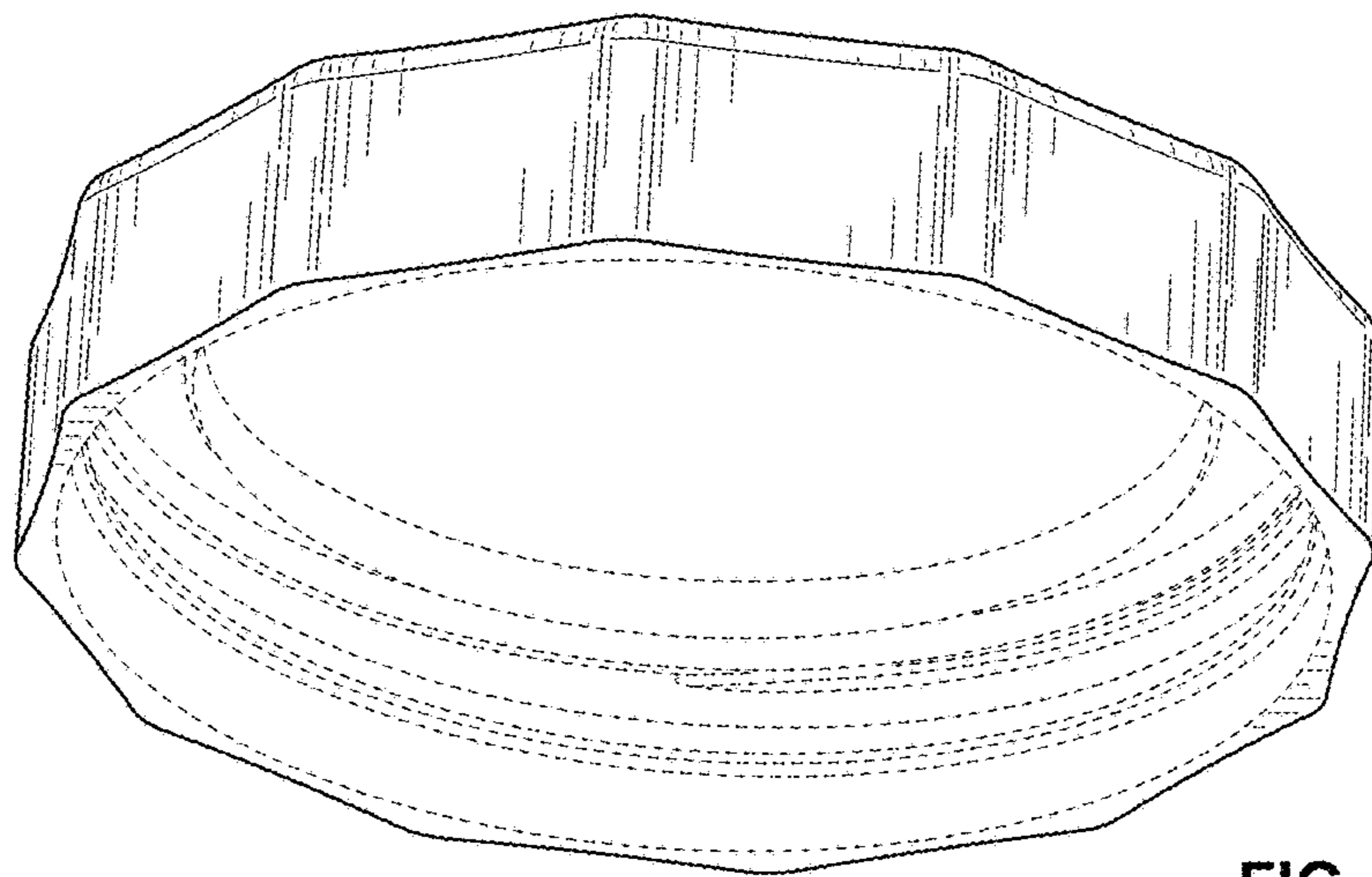


FIG. 3

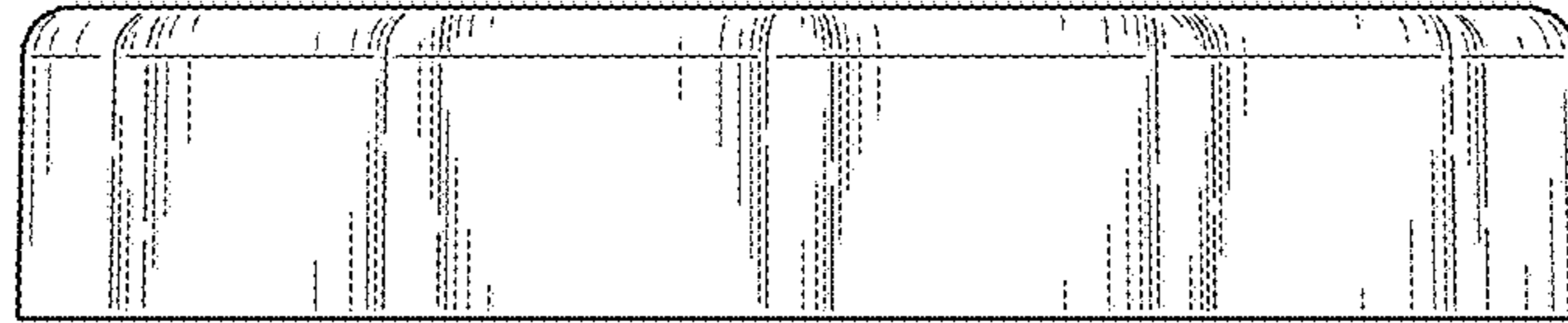


FIG. 4

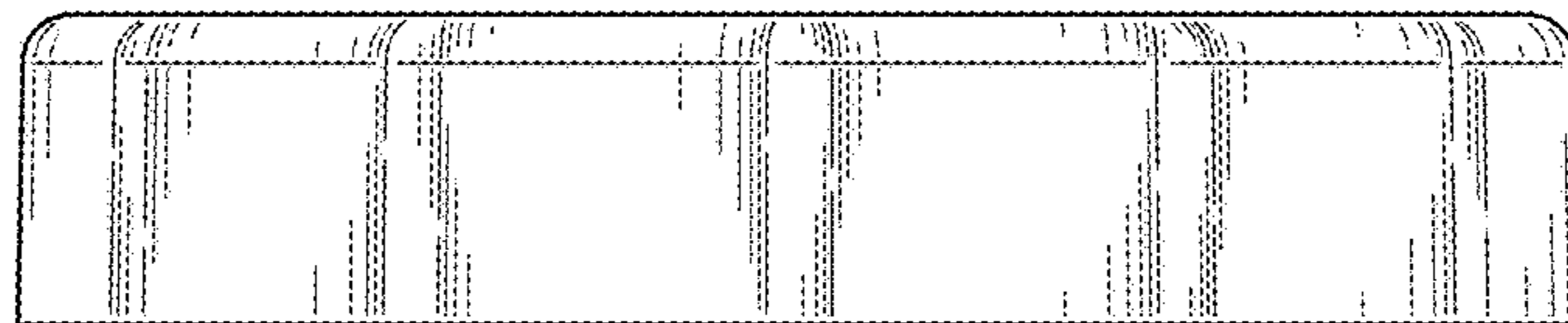


FIG. 5

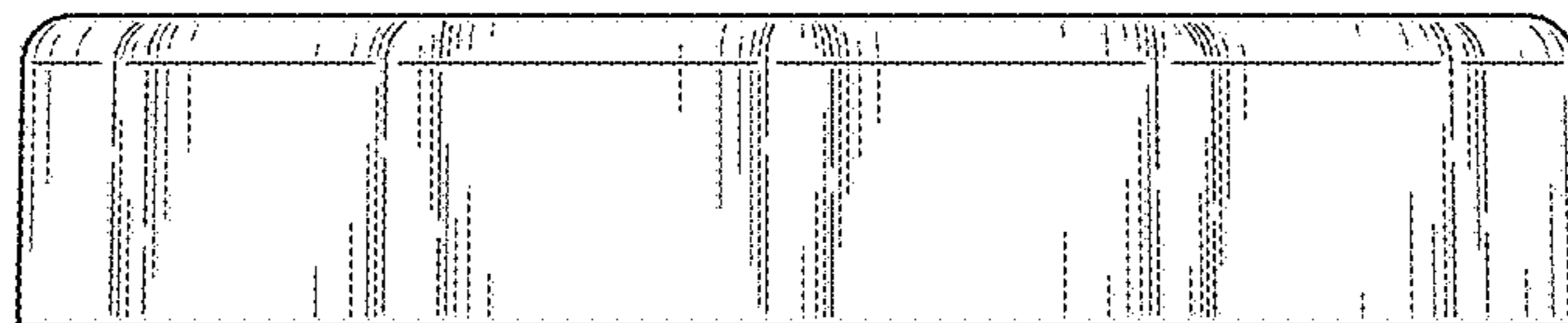


FIG. 6

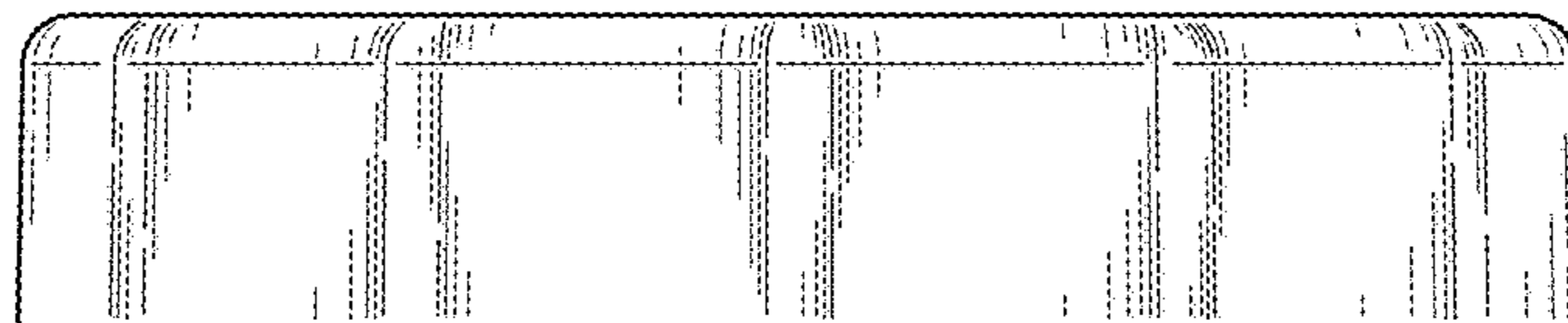


FIG. 7

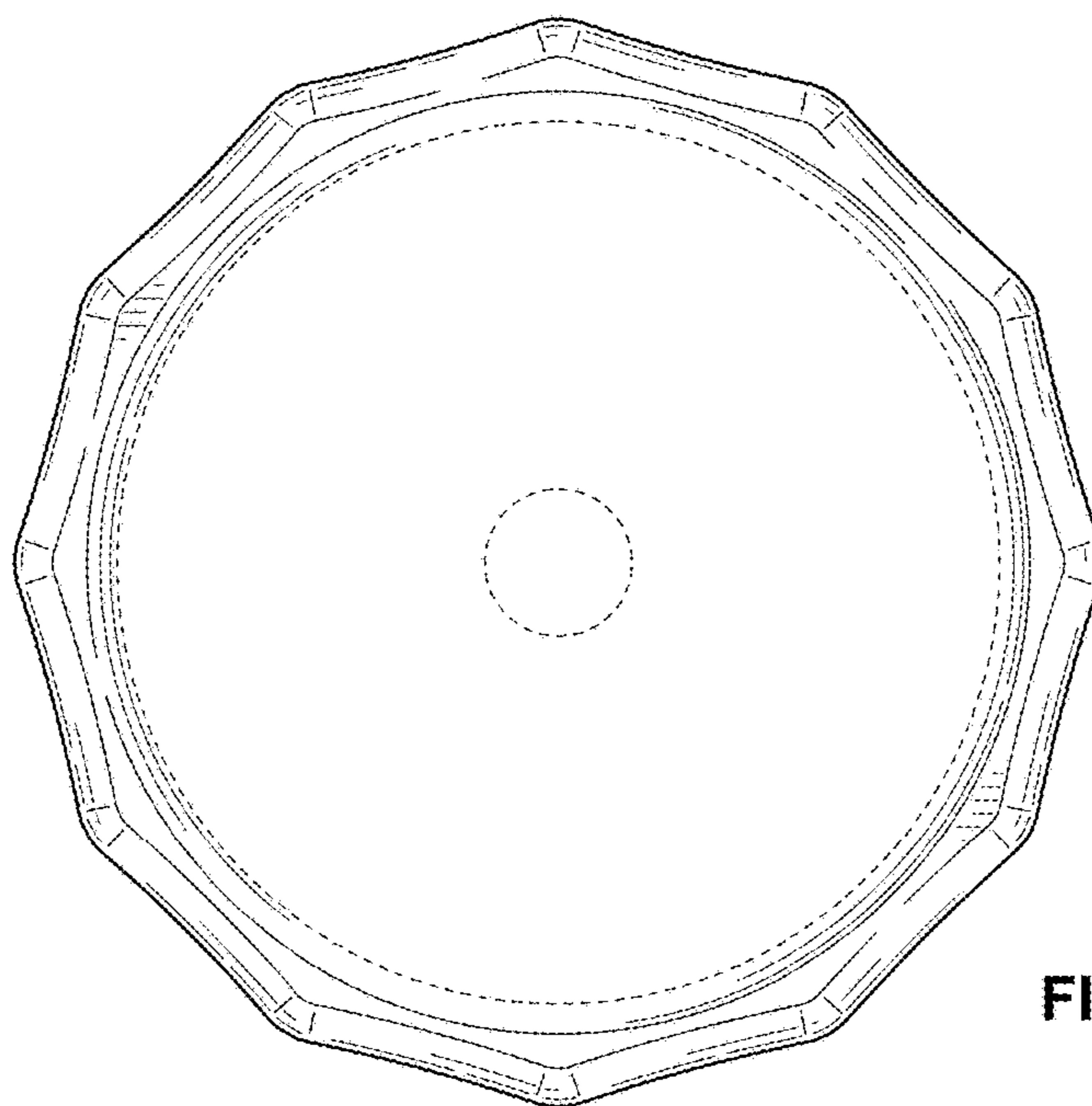


FIG. 8

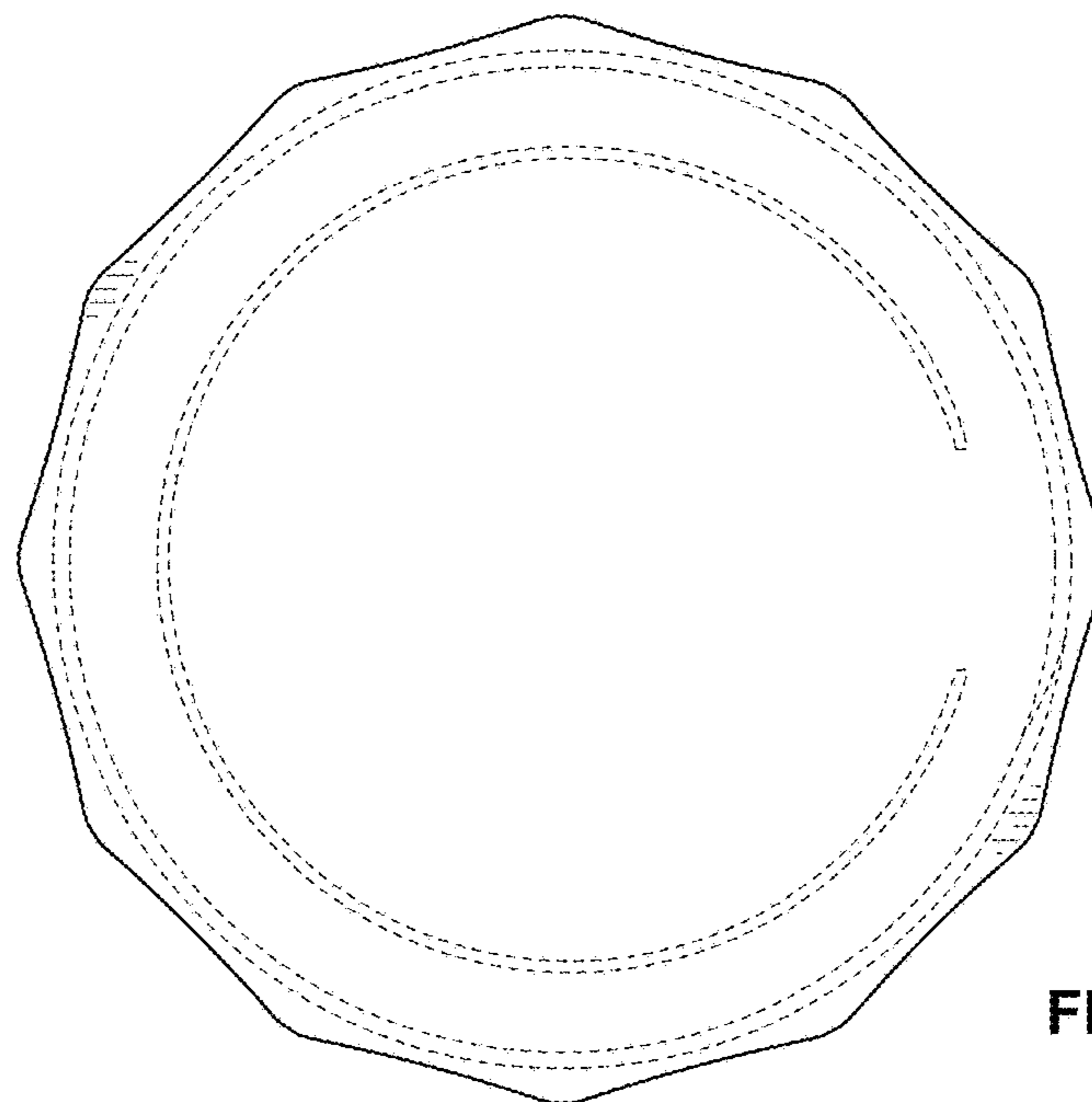


FIG. 9