



US00D856066S

(12) **United States Design Patent** (10) **Patent No.:** **US D856,066 S**
Barber (45) **Date of Patent:** **** Aug. 13, 2019**

(54) **LID FOR A CONTAINER**
(71) Applicant: **BRADSHAW INTERNATIONAL, INC.**, Rancho Cucamonga, CA (US)
(72) Inventor: **Tom Barber**, Manhattan Beach, CA (US)
(73) Assignee: **BRADSHAW INTERNATIONAL, INC.**, Rancho Cucamonga, CA (US)
(**) Term: **15 Years**
(21) Appl. No.: **29/638,684**
(22) Filed: **Feb. 28, 2018**
(51) **LOC (12) Cl.** **07-01**
(52) **U.S. Cl.**
USPC **D7/392.1; D9/443**
(58) **Field of Classification Search**
USPC D9/434-436, 438, 440, 443, 446, 447, D9/449, 452, 454, 499; D7/387, 392, D7/392.1, 394, 396.1, 396.2
CPC A45F 3/16; A45F 3/20; B65D 47/122; B65D 47/066
See application file for complete search history.

D808,711 S * 1/2018 Joseph D7/392.1
D810,503 S * 2/2018 Murosky D7/392.1
D810,504 S * 2/2018 Goodwin D7/394
D810,506 S * 2/2018 Erickson D7/396.2
D815,893 S * 4/2018 Seiders D7/396.2

OTHER PUBLICATIONS

Walmart. GoBottle. 2018. <URL:https://www.walmart.com/ip/GoBottle-40478-Sipper-Double-Wall-Vacuum-Insulated-Stainless-Steel-Leak-Proof-Flip-Up-BPA-Free-Straw-Lid-Water-Bottle-18oz-Black/720351542>. (Year: 2018).*

* cited by examiner

Primary Examiner — George D. Kirschbaum
Assistant Examiner — Darcey E Gottschalk
(74) *Attorney, Agent, or Firm* — Birch, Stewart, Kolasch & Birch, LLP

(57) **CLAIM**

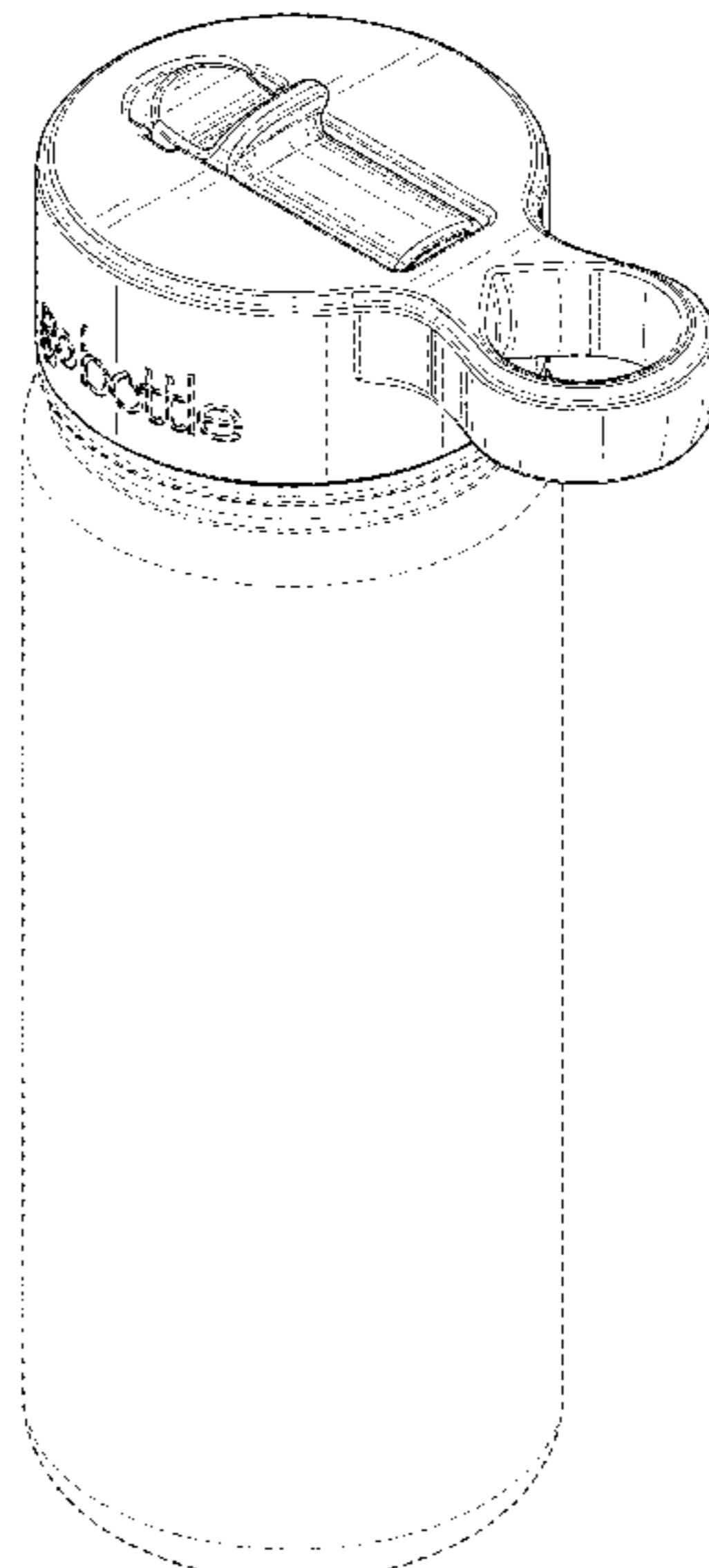
The ornamental design for a lid for a container, as shown and described.

DESCRIPTION

FIG. 1 is a rear, top, right perspective view of a lid for a container showing my new design;
FIG. 2 is a front view thereof;
FIG. 3 is a rear view thereof;
FIG. 4 is a left side view thereof;
FIG. 5 is a right side view thereof;
FIG. 6 is a top plan view thereof; and,
FIG. 7 is a bottom plan view thereof.
The broken lines in the Figures are for the purpose of illustrating portions of the lid for a container and form no part of the claimed design.

1 Claim, 6 Drawing Sheets

(56) **References Cited**
U.S. PATENT DOCUMENTS
D625,951 S * 10/2010 Baek D7/396.2
D666,052 S * 8/2012 Trombly D7/392.1
D700,012 S * 2/2014 Hurley D7/392.1
D704,986 S * 5/2014 Manies D7/392.1
D721,276 S * 1/2015 Herbst D7/396.2
D725,468 S * 3/2015 Miller D9/434
D751,341 S * 3/2016 Seiders D7/396.2
D761,619 S * 7/2016 Seiders D7/392.1
D763,688 S * 8/2016 Breit D9/443
D792,216 S * 7/2017 Breit D9/443
D796,256 S * 9/2017 Stover D7/396.2
D801,746 S * 11/2017 Thuma D7/392.1



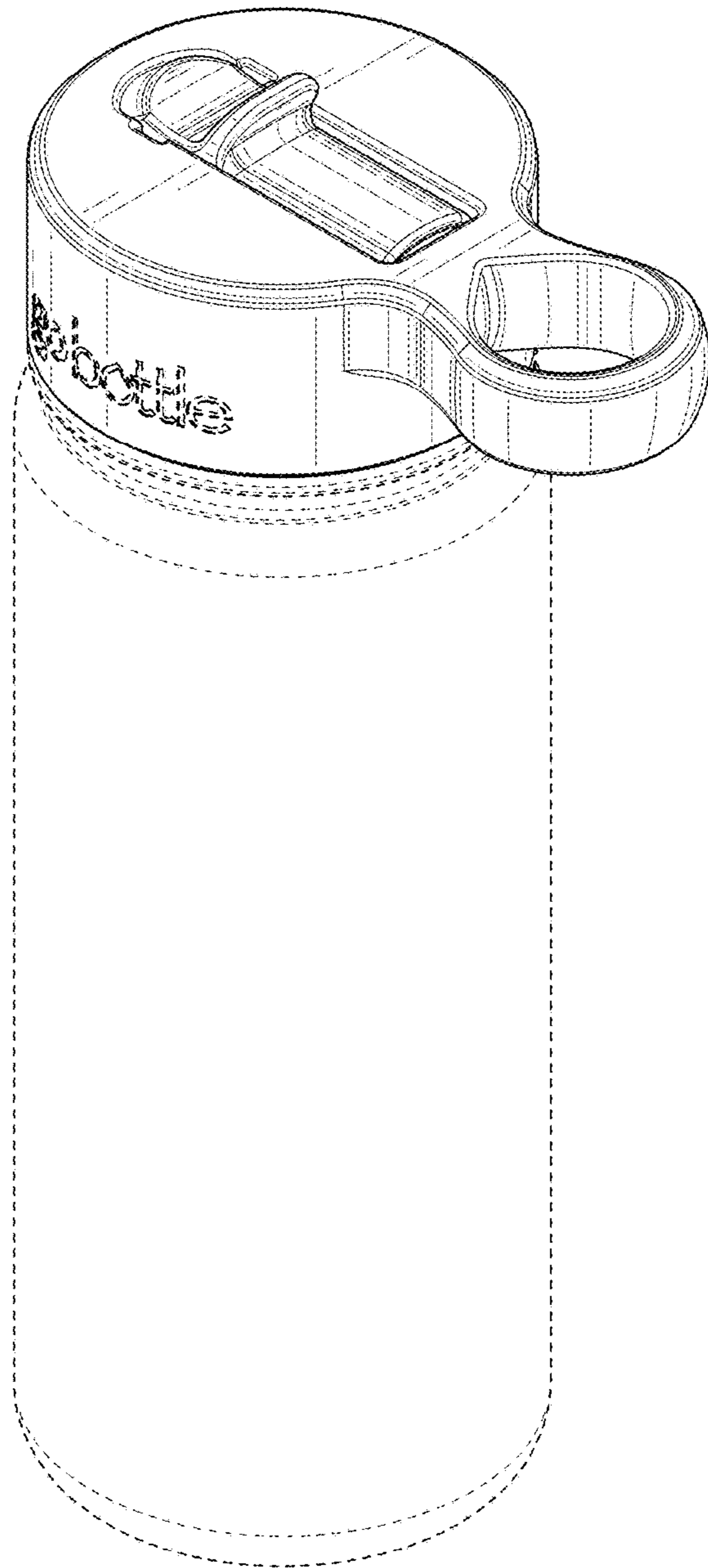


FIG. 1

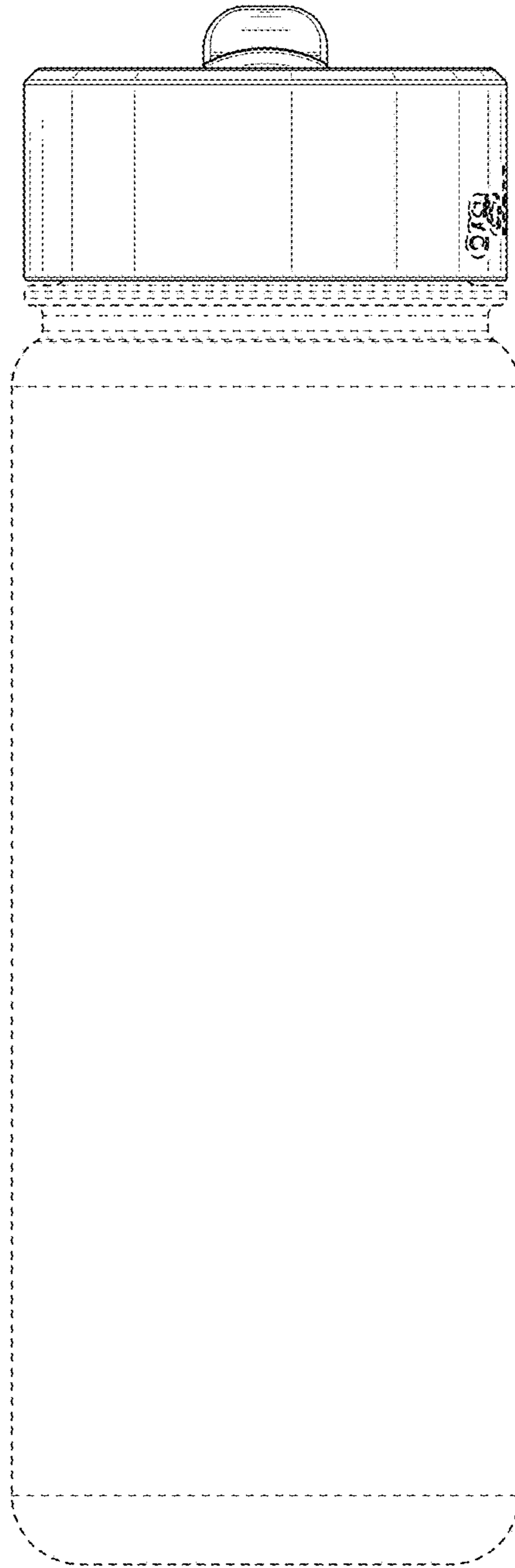


FIG. 2

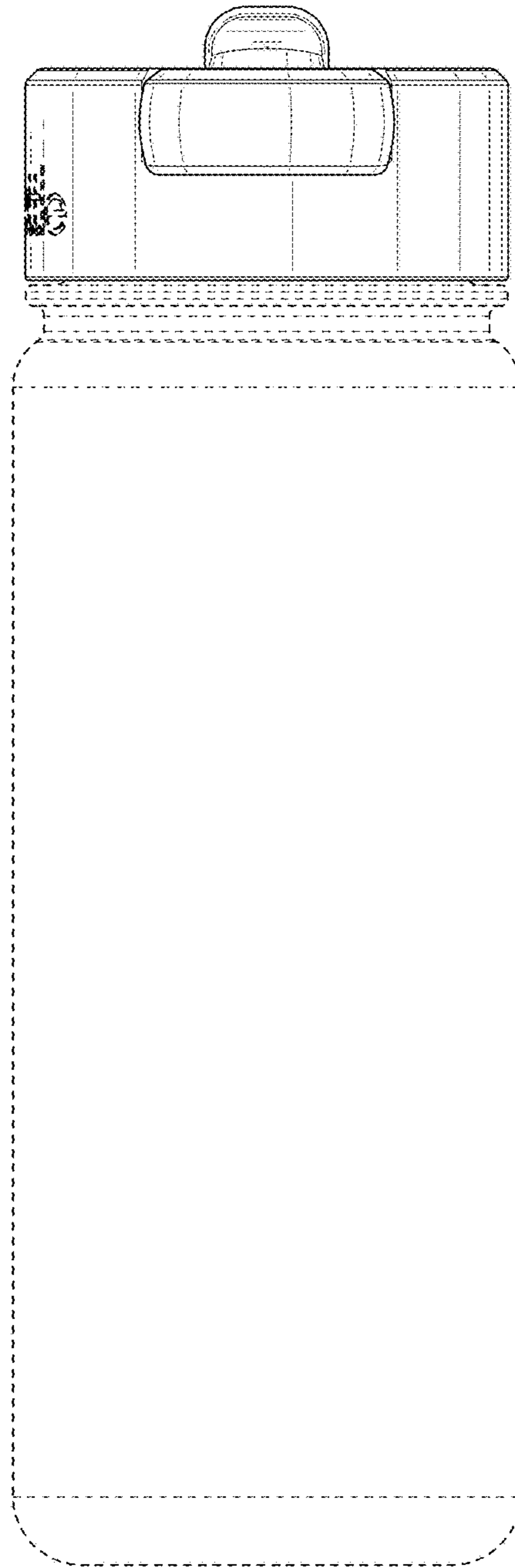


FIG. 3

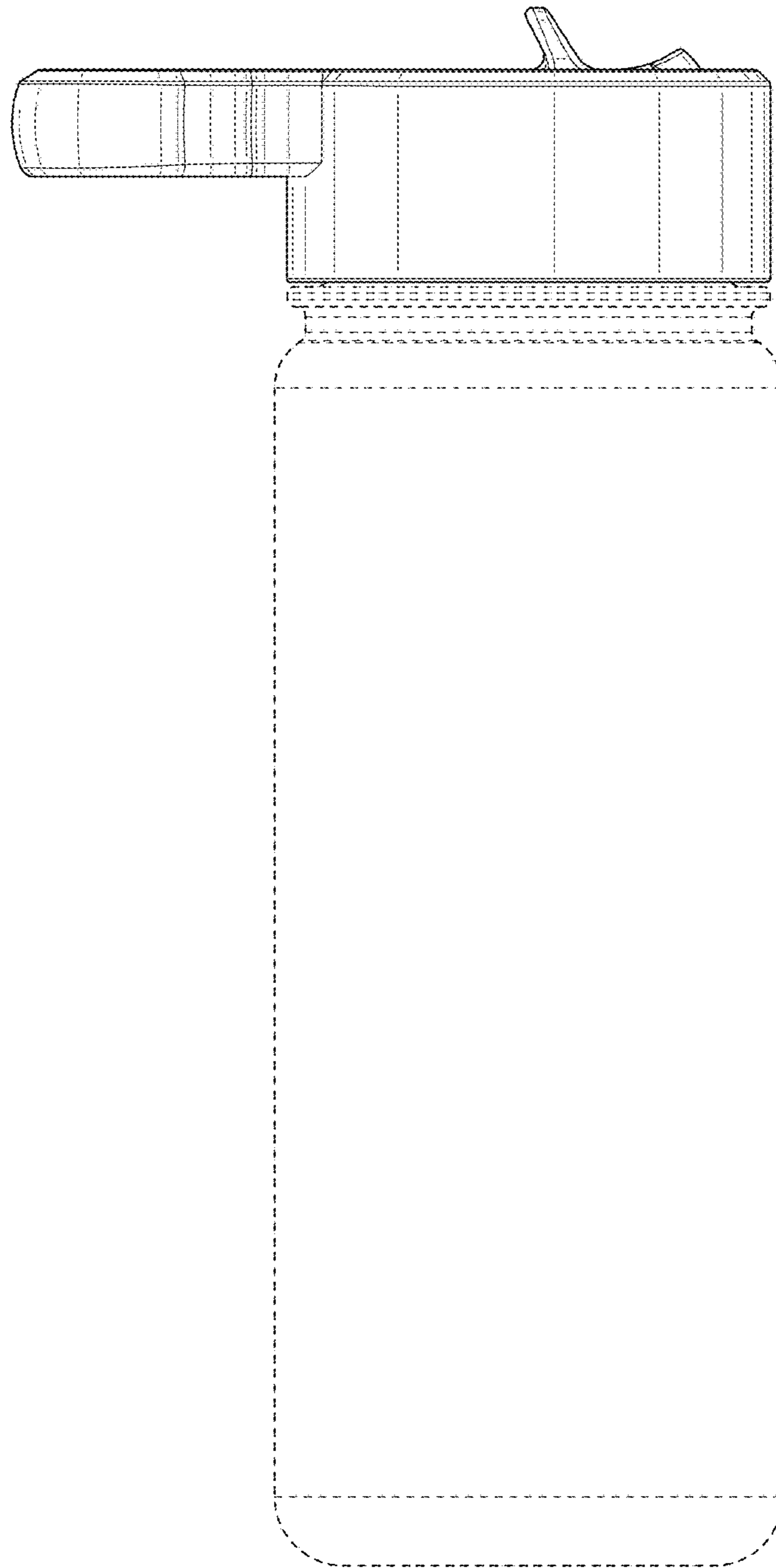


FIG. 4



FIG. 5

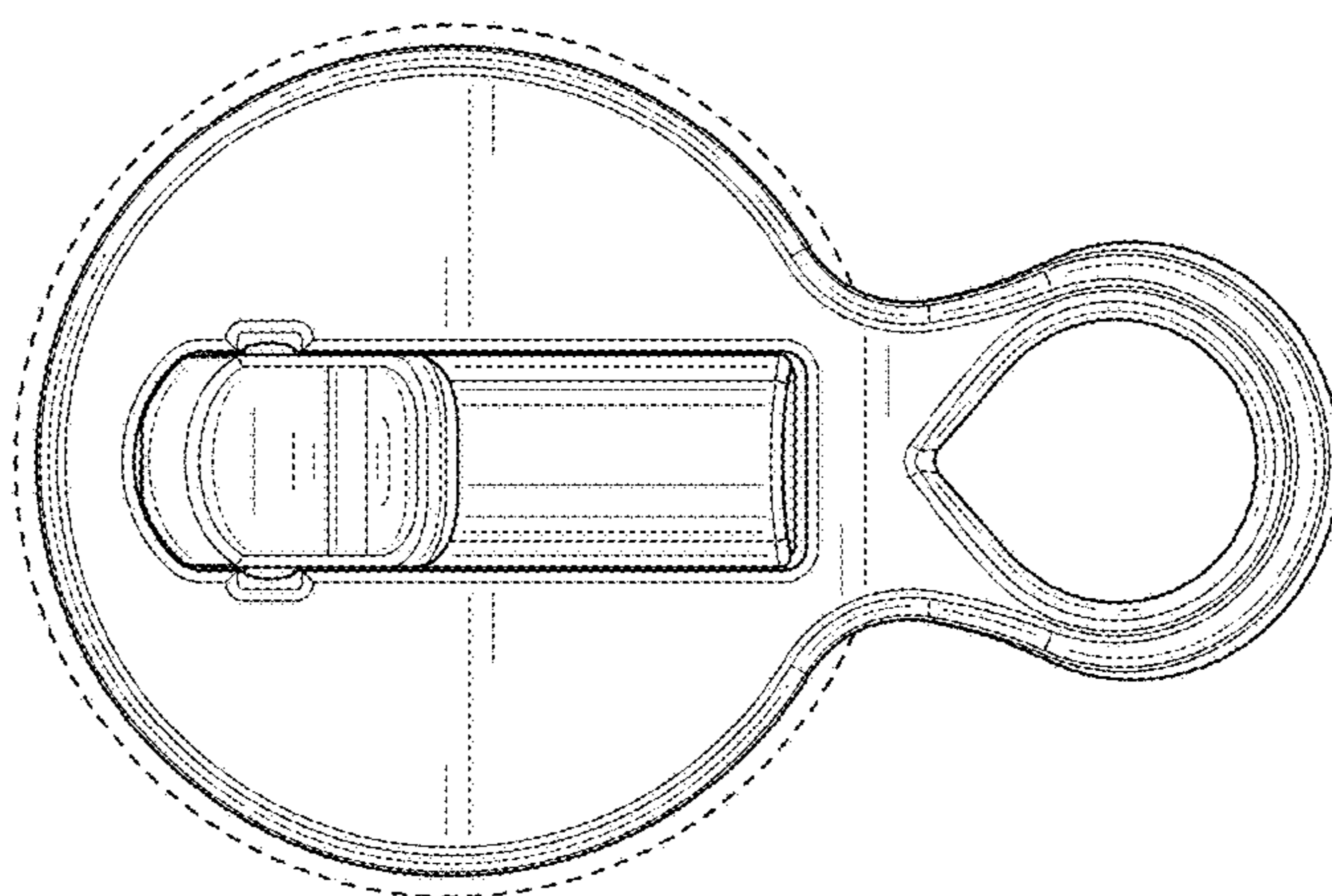


FIG. 6

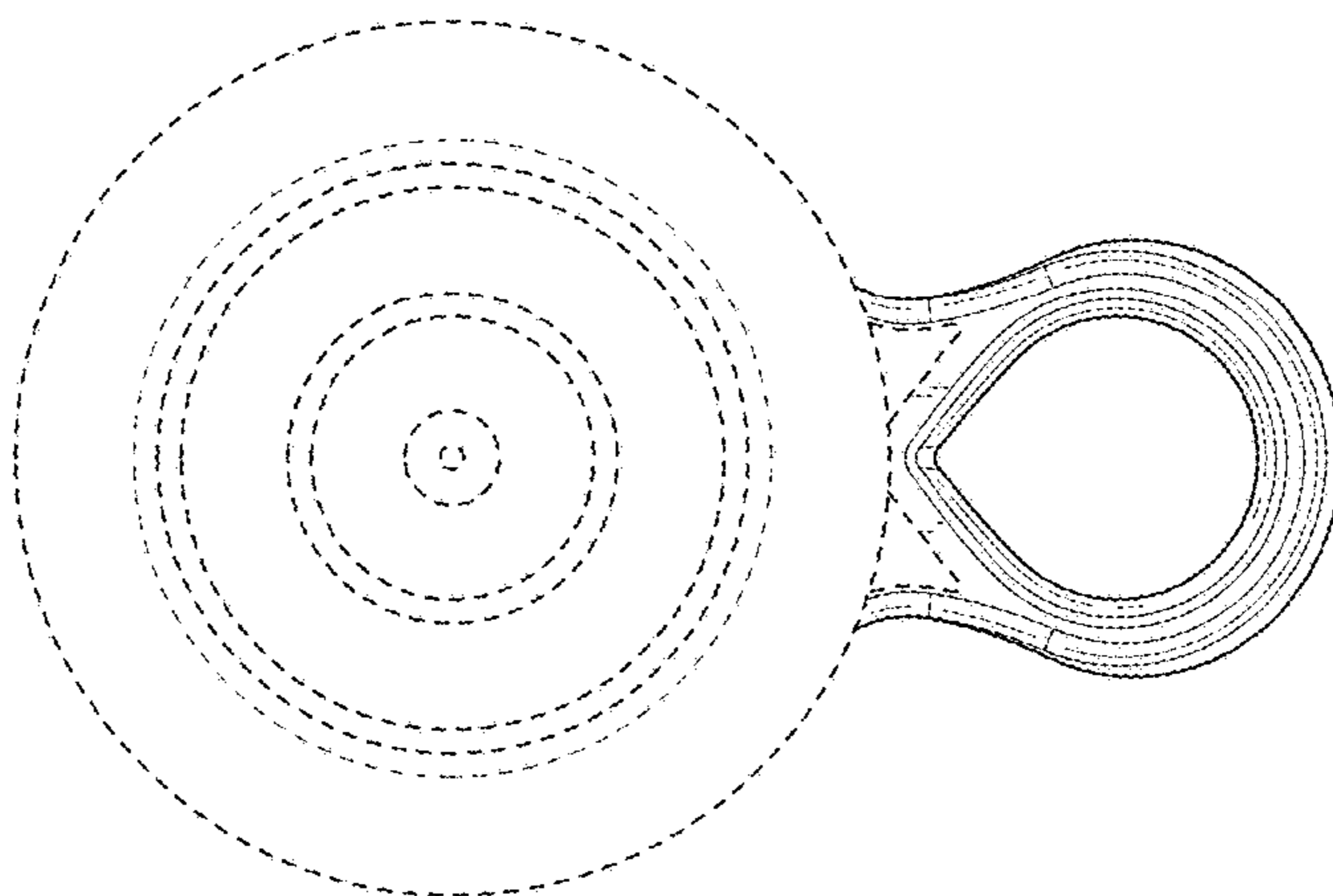


FIG. 7