



US00D856065S

(12) **United States Design Patent** (10) **Patent No.:** **US D856,065 S**
Breit et al. (45) **Date of Patent:** **** Aug. 13, 2019**

(54) **BOTTLE CAP**

(71) Applicant: **O2COOL, LLC**, Chicago, IL (US)

(72) Inventors: **Oliver Breit**, Discovery Bay (HK); **Lars Junker**, Kowloon (HK); **Michael Ksiazek**, Burr Ridge, IL (US); **Eric F. Junkel**, Mount Prospect, IL (US); **Tom Zeng**, Shenzhen (CN)

(73) Assignee: **O2COOL, LLC**, Chicago, IL (US)

(**) Term: **15 Years**

(21) Appl. No.: **29/606,833**

(22) Filed: **Jun. 8, 2017**

(51) **LOC (12) Cl.** **07-99**

(52) **U.S. Cl.**
USPC **D7/392.1**

(58) **Field of Classification Search**
USPC D9/452, 453, 454, 435, 447, 449;
D7/391, 392, 392.1, 510, 511, 538, 540,
D7/542, 543, 544, 545, 629
CPC ... A47G 19/2205; A47G 19/2222; A45F 3/16;
A45F 3/20; B67D 7/06; B67D 7/0004;
B65D 25/14; B65D 47/065; B65D
47/066; B65D 2543/00101; B65D
2543/00027
See application file for complete search history.

D655,581 S * 3/2012 Kotani D7/608
D675,060 S * 1/2013 Lane D7/392.1
D700,515 S * 3/2014 Herbst D9/448
D718,626 S * 12/2014 Lane B65D 41/62
D9/449
D744,290 S * 12/2015 Endo D7/608
D747,918 S * 1/2016 Herbst D7/392.1
D828,718 S * 9/2018 Ksiazek D7/392.1
D829,054 S * 9/2018 Breit D7/510
D830,118 S * 10/2018 Ksiazek D7/392.1
2011/0284541 A1 * 11/2011 Webster B65D 23/10
220/288
2016/0355305 A1 * 12/2016 Hoskins B65D 47/066
2018/0290164 A1 * 10/2018 Ksiazek B05B 11/3059

FOREIGN PATENT DOCUMENTS

EM 004539518-0002 * 12/2017
* cited by examiner

Primary Examiner — Karen S Acker
Assistant Examiner — Steven B Reinholdt, Jr.
(74) *Attorney, Agent, or Firm* — Thompson Coburn LLP

(57) **CLAIM**

The ornamental design for a bottle cap, as shown and described.

DESCRIPTION

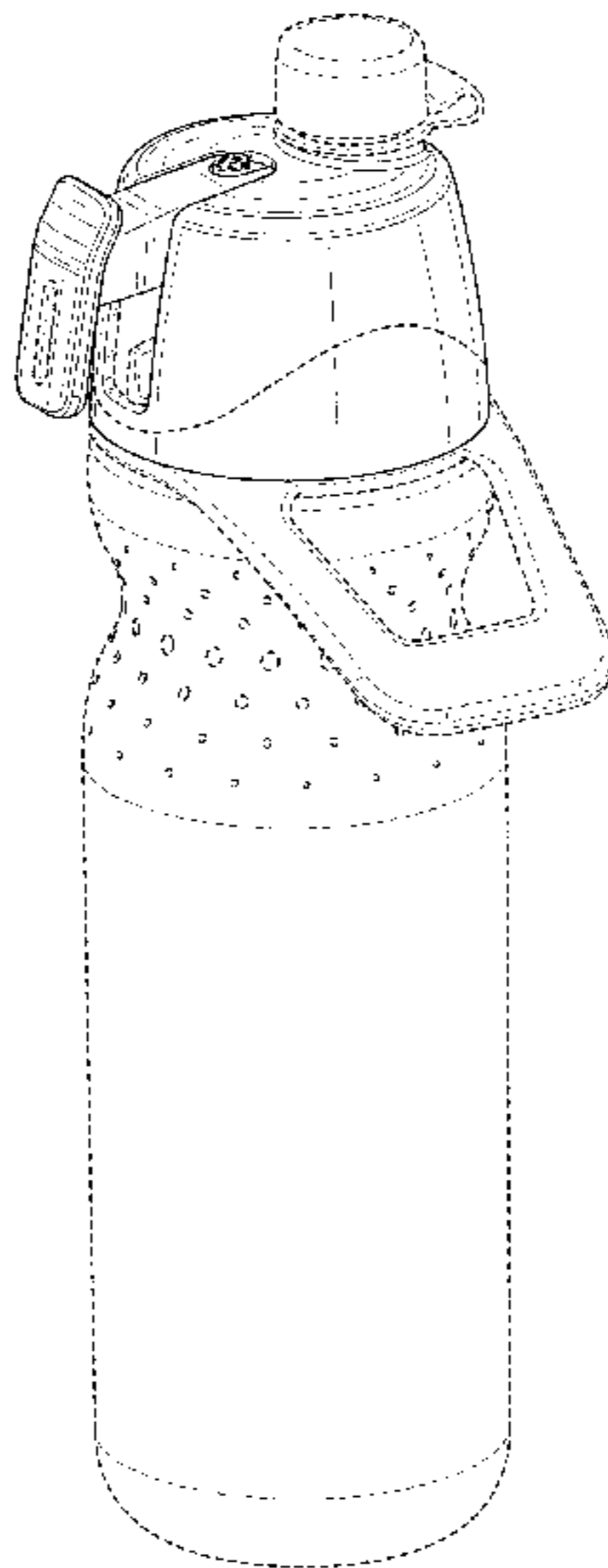
FIG. 1 is a perspective view of bottle cap showing our new design;
FIG. 2 is a front view thereof;
FIG. 3 is a rear view thereof;
FIG. 4 is a left side view thereof;
FIG. 5 is a right side view thereof;
FIG. 6 is a top view thereof; and,
FIG. 7 is a bottom view thereof.
The broken lines depict portions of the bottle cap that form no part of the claimed design. The broken lines illustrating a bottle and handle depict environment that forms no part of the claimed design.

1 Claim, 7 Drawing Sheets

(56) **References Cited**

U.S. PATENT DOCUMENTS

4,095,725 A * 6/1978 Goncalves B65D 83/205
220/266
D385,792 S * 11/1997 Sayers D9/448
D530,609 S * 10/2006 Beaver D9/445
D547,184 S * 7/2007 Kim D9/447
D586,183 S * 2/2009 Junkel D7/511
7,712,618 B2 * 5/2010 Barre B65D 47/0871
215/237
D629,644 S * 12/2010 Zhuang D7/392.1



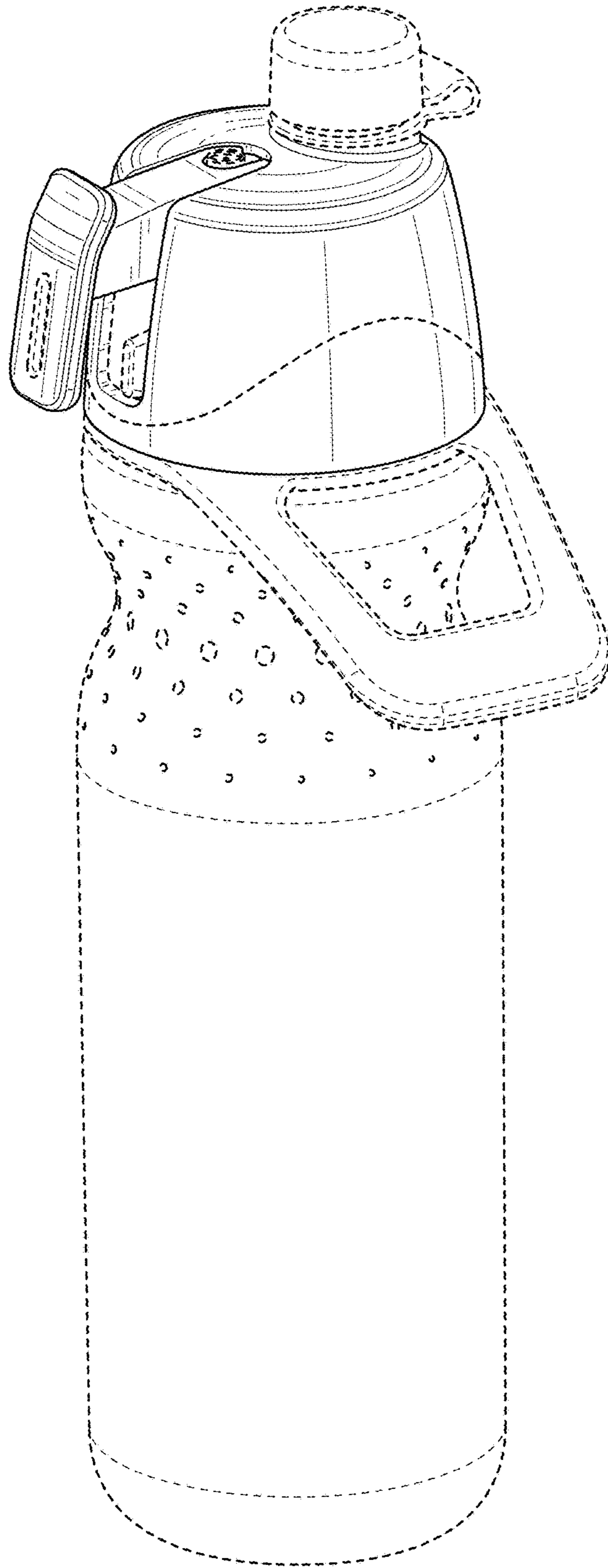


FIG. 1

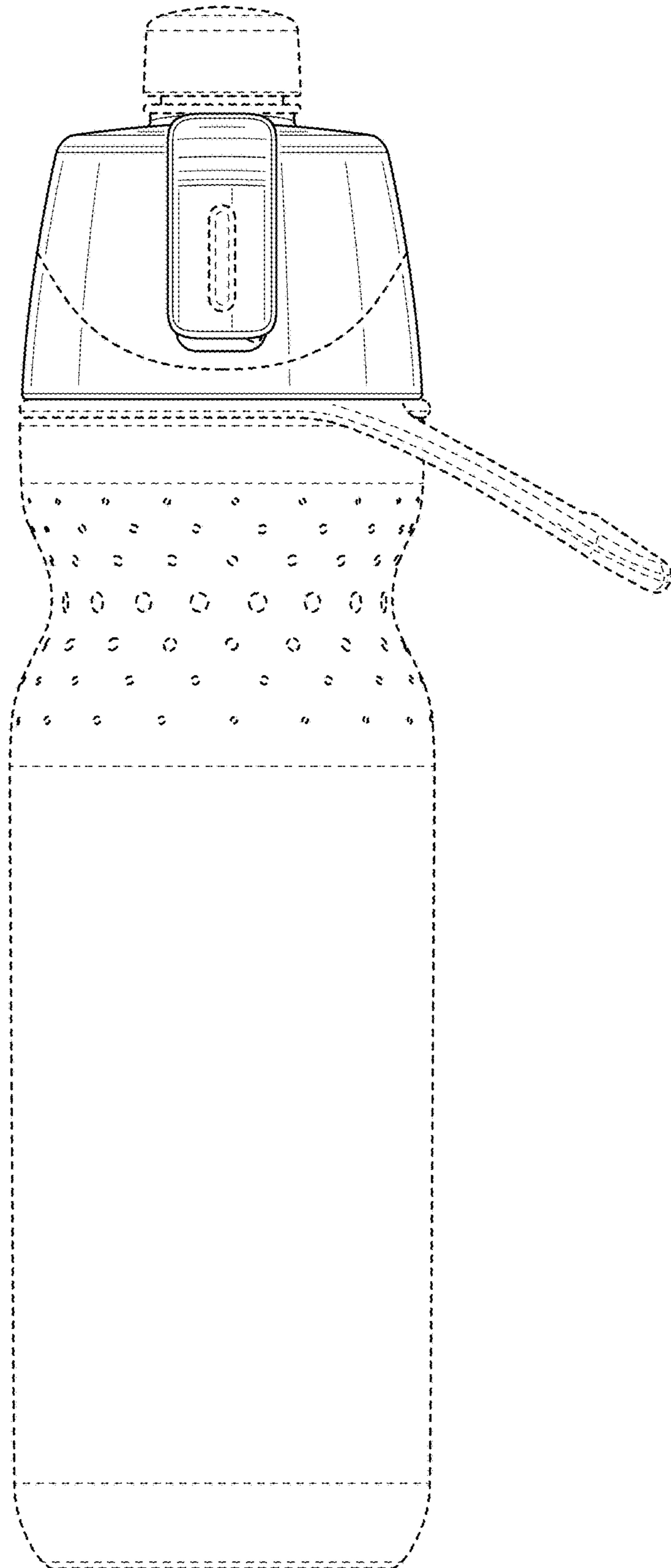


FIG. 2

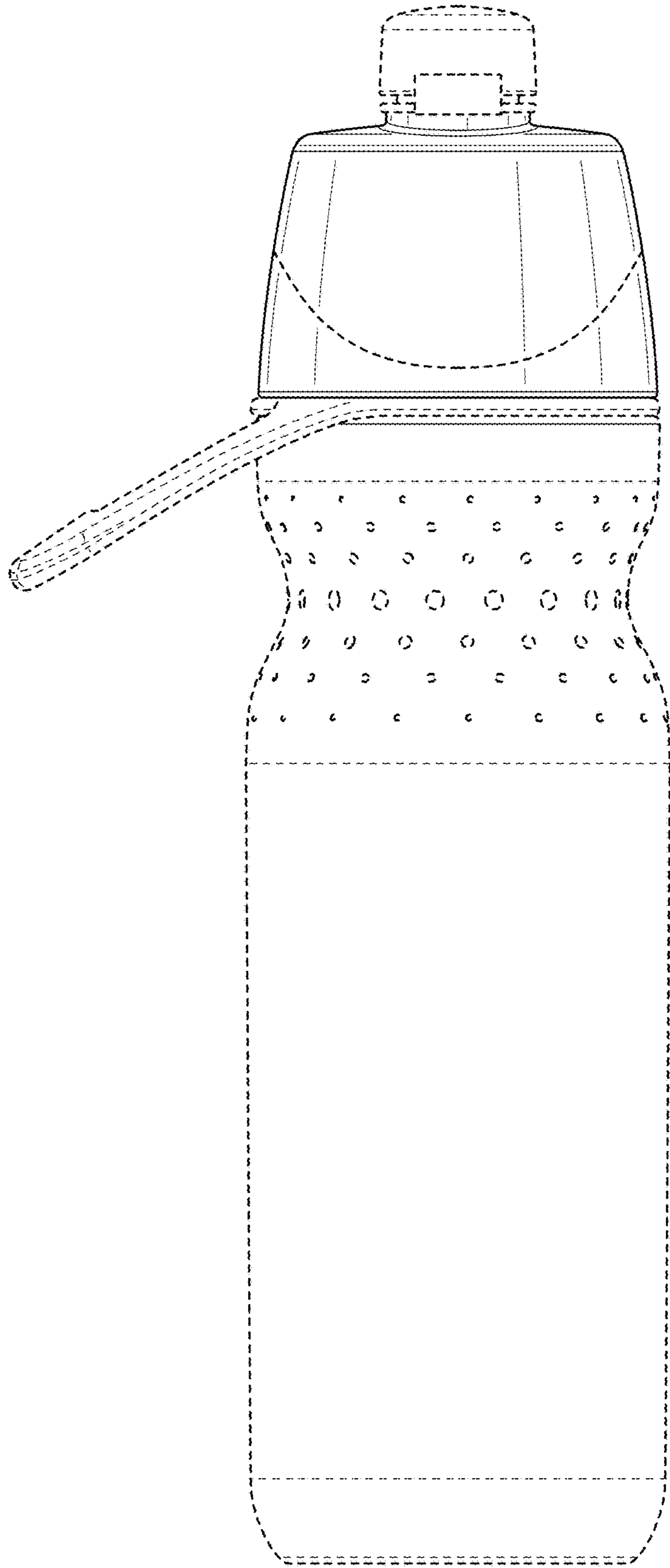


FIG. 3

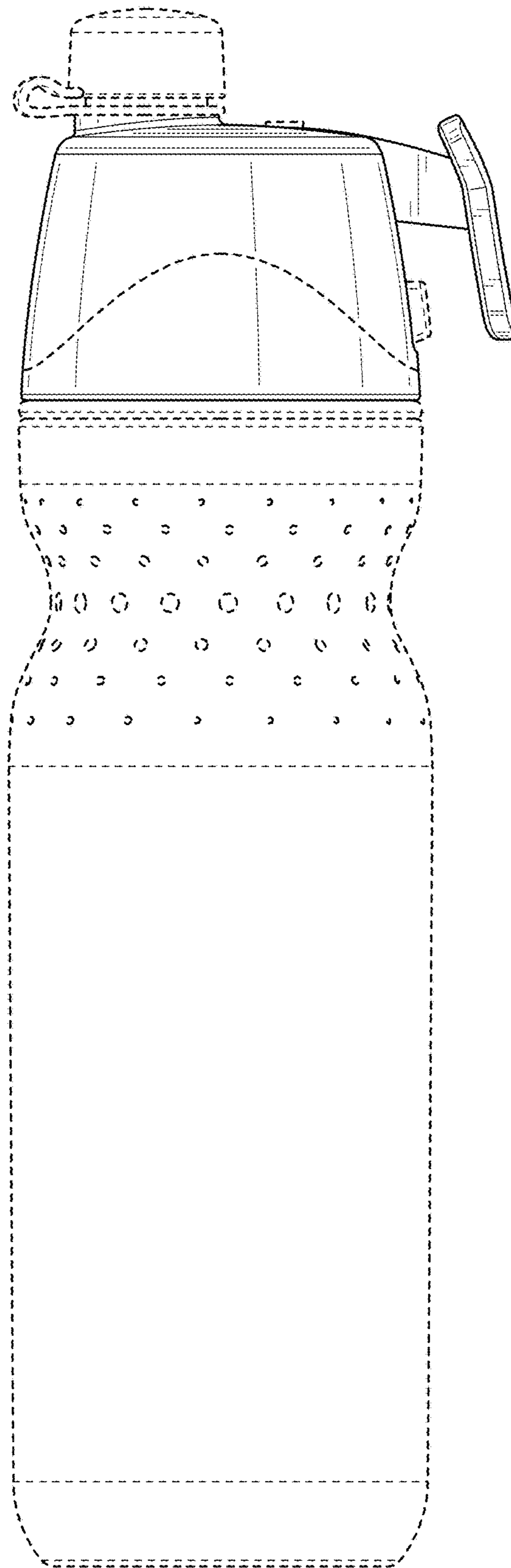


FIG. 4

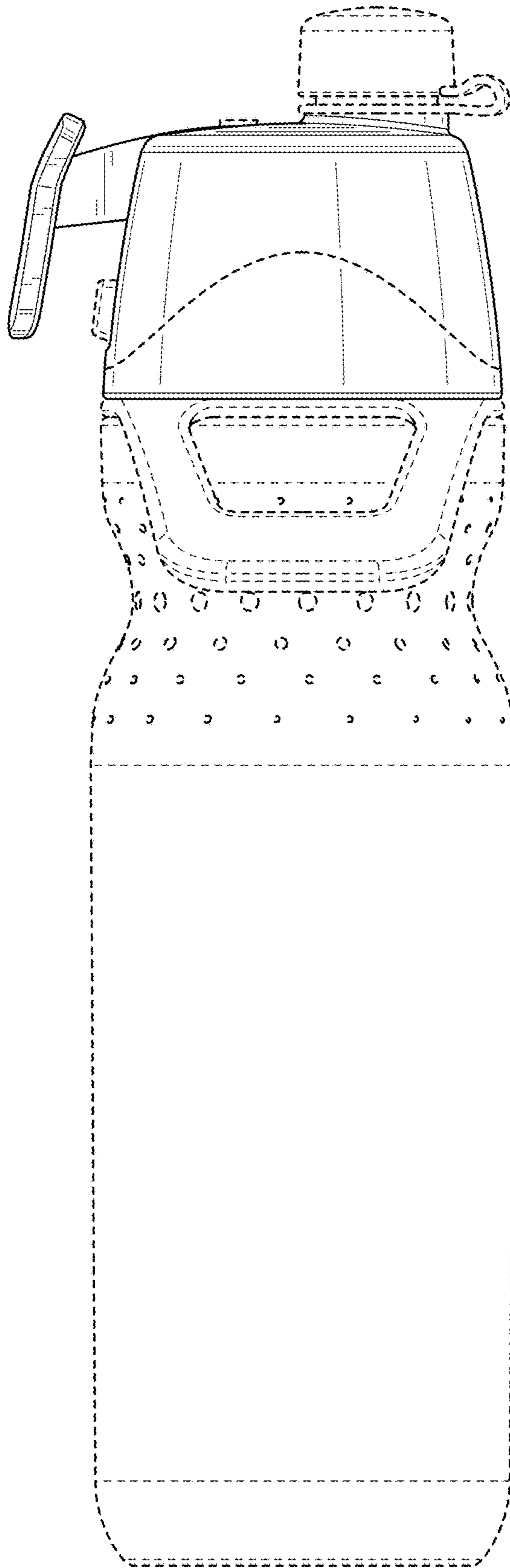


FIG. 5

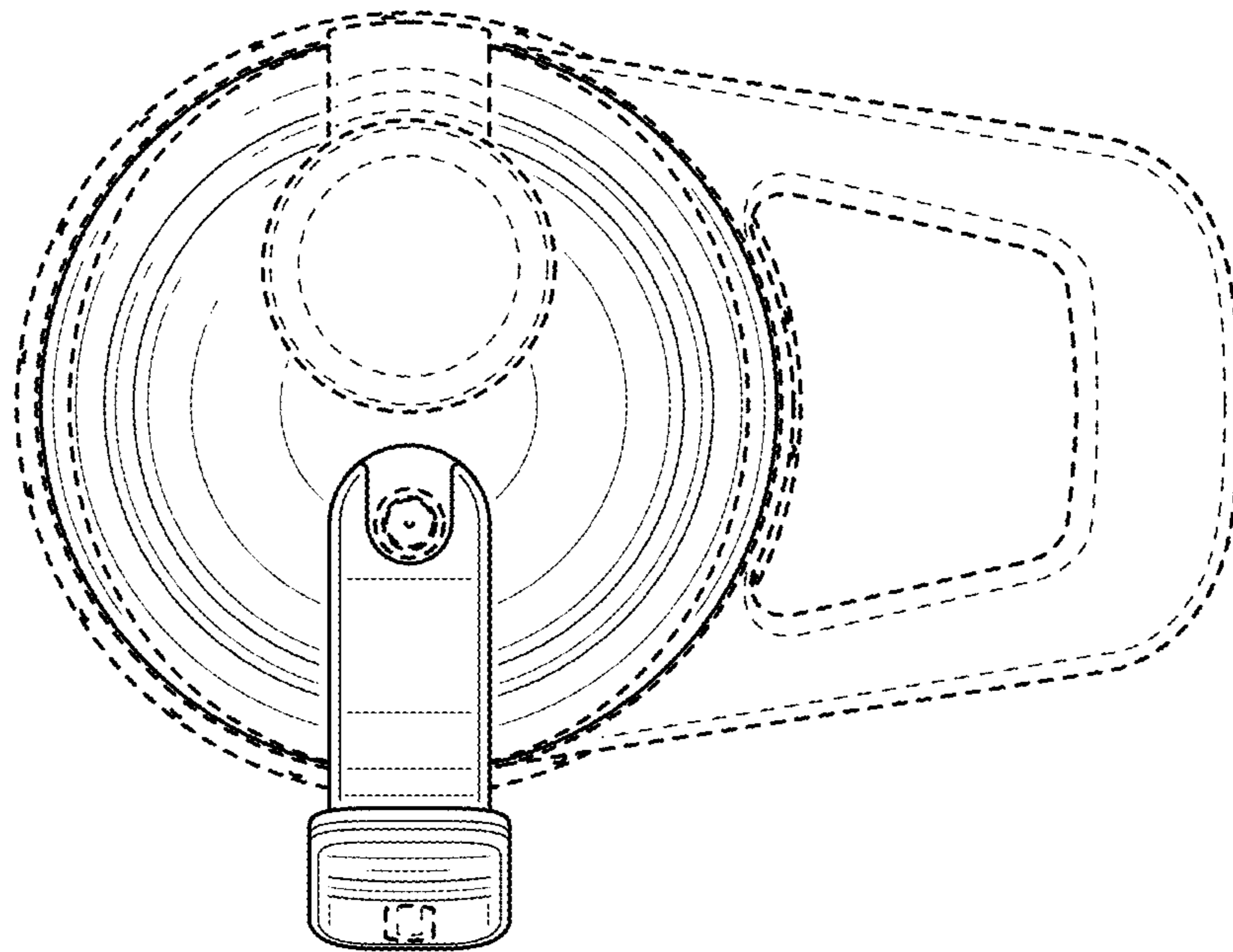


FIG. 6

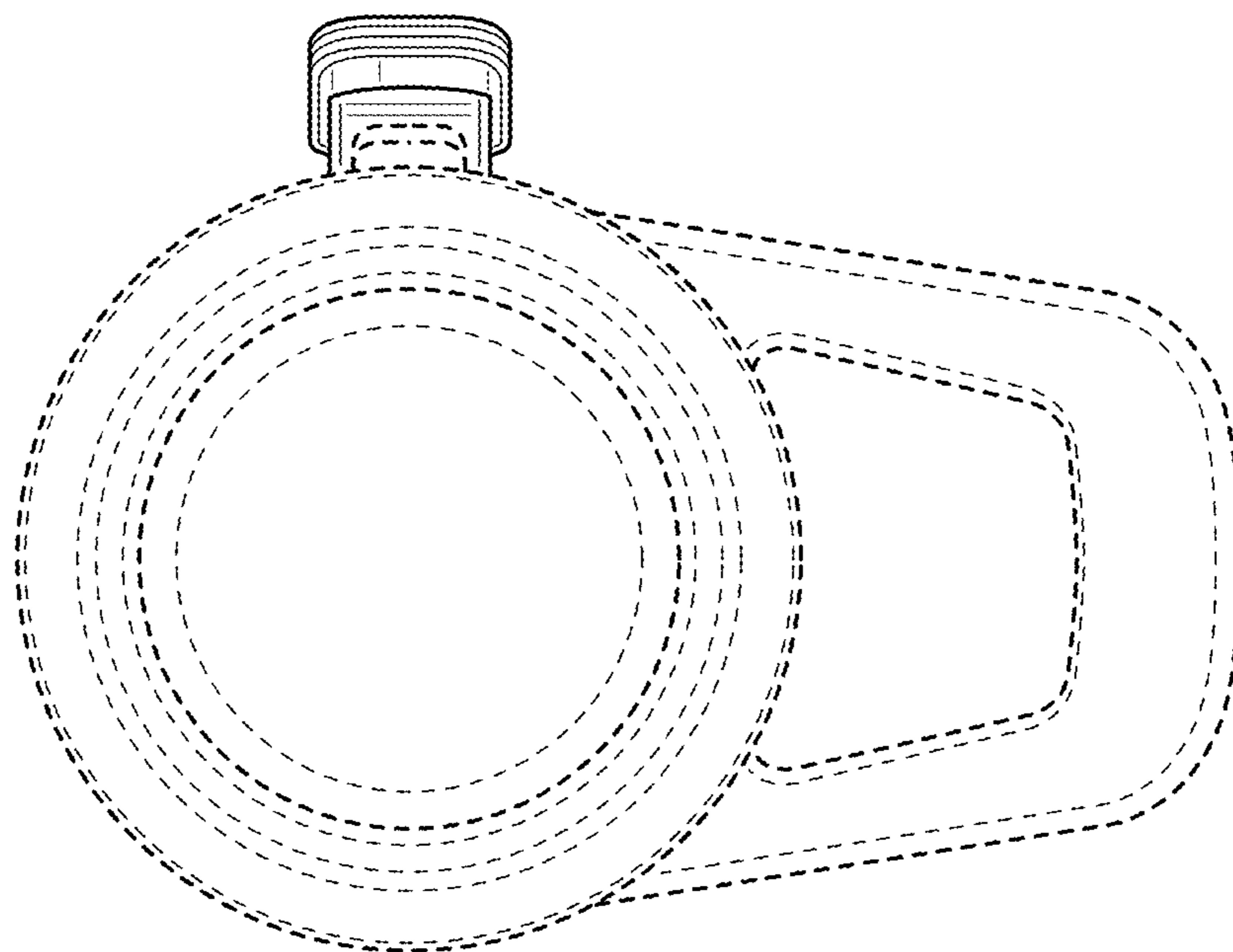


FIG. 7