



US00D856064S

(12) **United States Design Patent**
Baron et al.

(10) **Patent No.:** **US D856,064 S**

(45) **Date of Patent:** **** Aug. 13, 2019**

(54) **MASON JAR LID**

(71) Applicant: **MASONTOPS, INC.**, Toronto (CA)

(72) Inventors: **Philip Baron**, Toronto (CA); **Michael Bacher**, Toronto (CA); **Brett Molnar**, Toronto (CA)

(73) Assignee: **Masontops, Inc.**, Toronto, Ontario (CA)

(**) Term: **15 Years**

(21) Appl. No.: **29/661,490**

(22) Filed: **Aug. 28, 2018**

Related U.S. Application Data

(63) Continuation of application No. 29/604,260, filed on May 16, 2017, now Pat. No. Des. 826,631.

(51) **LOC (12) Cl.** **07-99**

(52) **U.S. Cl.**

USPC **D7/392**; D7/392.1; D9/454

(58) **Field of Classification Search**

USPC D7/391, 510, 511, 538, 540, 542, 543, D7/544, 545, 629, 392.1, 392; D9/452, D9/453, 454, 435, 447, 449, 780, 434, D9/440

CPC ... A47G 19/2205; A47G 19/2222; A45F 3/16; A45F 3/20; B67D 7/06; B67D 1/0004; B65D 25/14; B65D 47/065; B65D 47/066

See application file for complete search history.

(56) **References Cited**

U.S. PATENT DOCUMENTS

D569,245 S 5/2008 Joshi et al.
D682,016 S * 5/2013 Knight D7/392.1
D682,612 S 5/2013 Rzepecki
D691,849 S * 10/2013 Cetera D7/392.1
D696,551 S * 12/2013 Meyers D7/392.1
D699,996 S * 2/2014 De Leo D7/300.1

D721,276 S * 1/2015 Herbst D7/396.2
D747,624 S 1/2016 Walker
D771,990 S 11/2016 Horowitz

(Continued)

OTHER PUBLICATIONS

Masontops website, Multi Tops—Easy Sip & Pour Mason Jar Lids, Publication date unknown, [site visited Apr. 10, 2018], Available on the Internet URL <https://www.masontops.com/collections/storage-solutions/products/multi-tops-easy-sip-pour-mason-jar-lids>.

(Continued)

Primary Examiner — Karen S Acker

Assistant Examiner — Steven B Reinholdt, Jr.

(74) *Attorney, Agent, or Firm* — McAndrews, Held & Malloy, Ltd.

(57) **CLAIM**

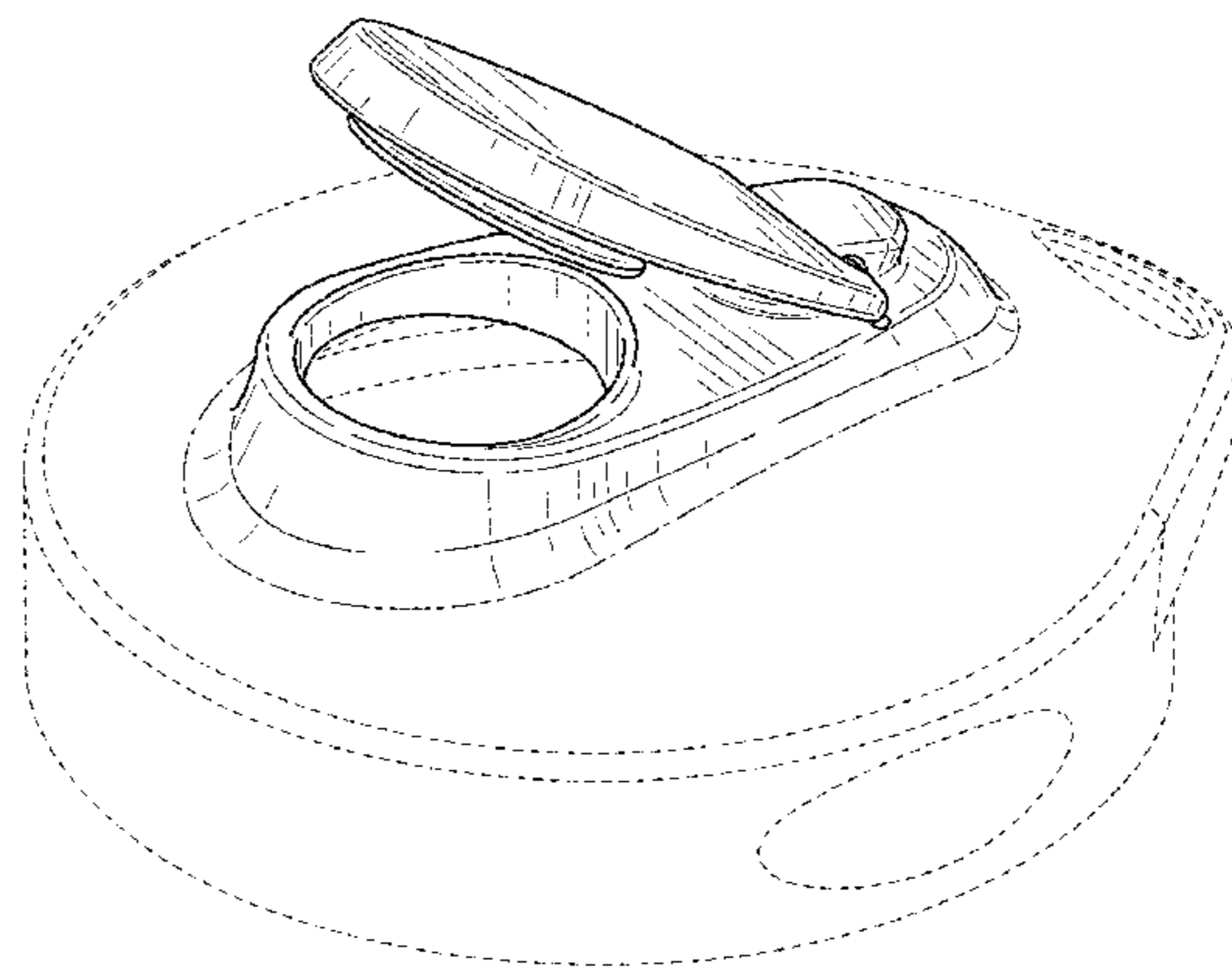
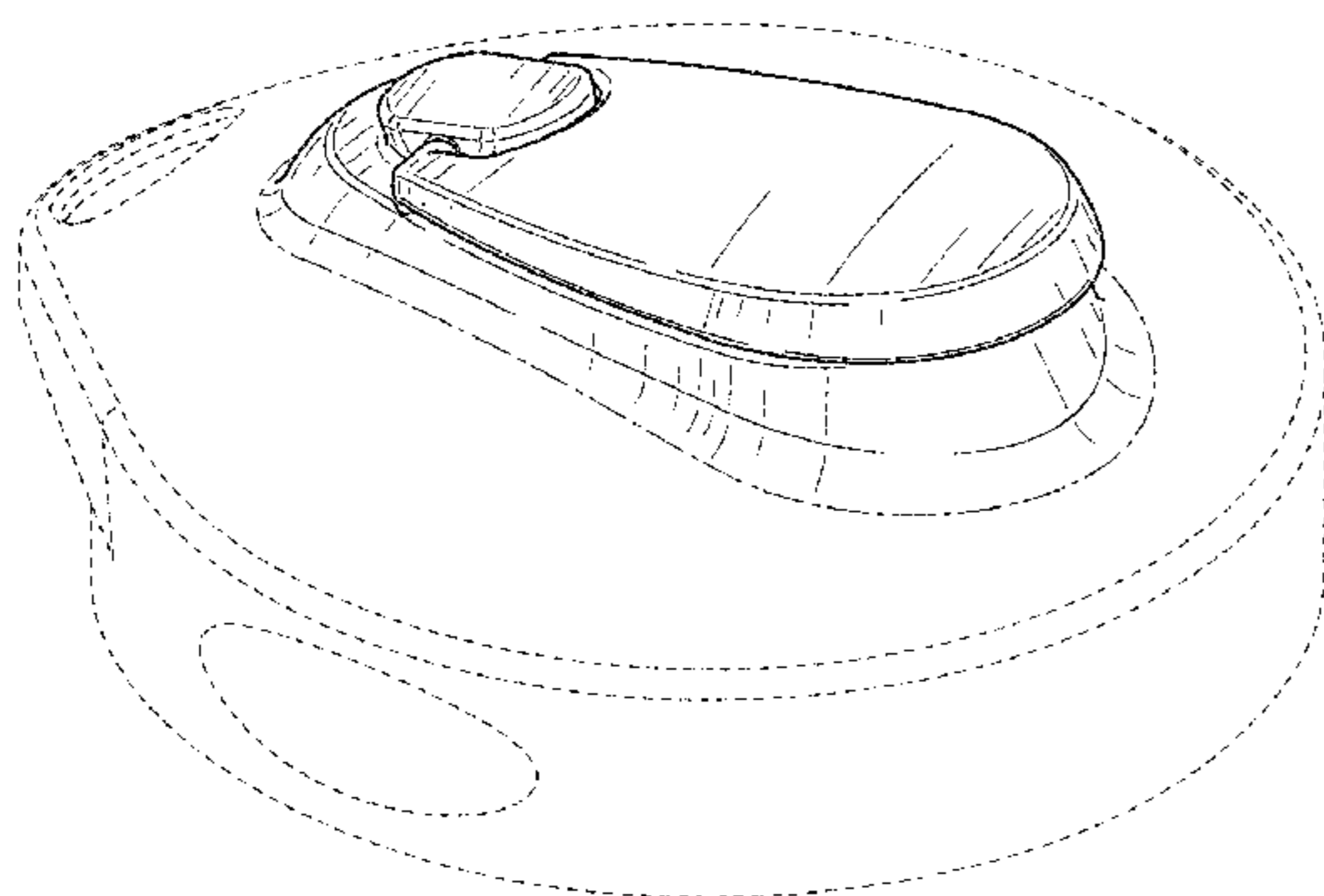
The ornamental design for a mason jar lid, as shown and described.

DESCRIPTION

FIG. 1 is a top perspective view of a mason jar lid showing our new design in a closed position; FIG. 2 is a bottom perspective view thereof; FIG. 3 is a front elevation view thereof; FIG. 4 is a rear elevation view thereof; FIG. 5 is a right side elevation view thereof; FIG. 6 is a left side elevation view thereof; FIG. 7 is a top plan view thereof; and FIG. 8 is a bottom plan view thereof; FIG. 9 is a top perspective view thereof showing our new design in an open position; and, FIG. 10 is a bottom perspective view thereof.

The dashed broken lines in the drawings illustrate portions of the mason jar lid that form no part of the claimed design. The dot-dash broken lines in the drawings define the boundaries of the claimed design and form no part thereof.

1 Claim, 4 Drawing Sheets



(56)

References Cited

U.S. PATENT DOCUMENTS

D788,583 S 6/2017 Tu
D790,272 S 6/2017 Han
D799,270 S 10/2017 Polk, III
D808,216 S 1/2018 Holowaychuk et al.
D810,503 S 2/2018 Murosky
D810,567 S 2/2018 Brovar
D820,036 S * 6/2018 Lonner D7/391
D826,631 S * 8/2018 Baron D7/392.1
D832,640 S * 11/2018 Blofeld D7/378
D836,985 S * 1/2019 Otto D7/510
D839,663 S * 2/2019 Hu D7/391
2014/0091086 A1 * 4/2014 Sorensen A47G 19/2205
220/4.27
2015/0136786 A1 * 5/2015 Lonner B65D 45/16
220/529

OTHER PUBLICATIONS

YouTube—Masontops, Multi Top Mason Jar Lids by Masontops—
SIP, Pour, Store & More, Feb. 28, 2018, [site visited Apr. 10, 2018],
Available on the Internet URL <https://www.youtube.com/watch?v=kY9cLcbJbyl>.

* cited by examiner

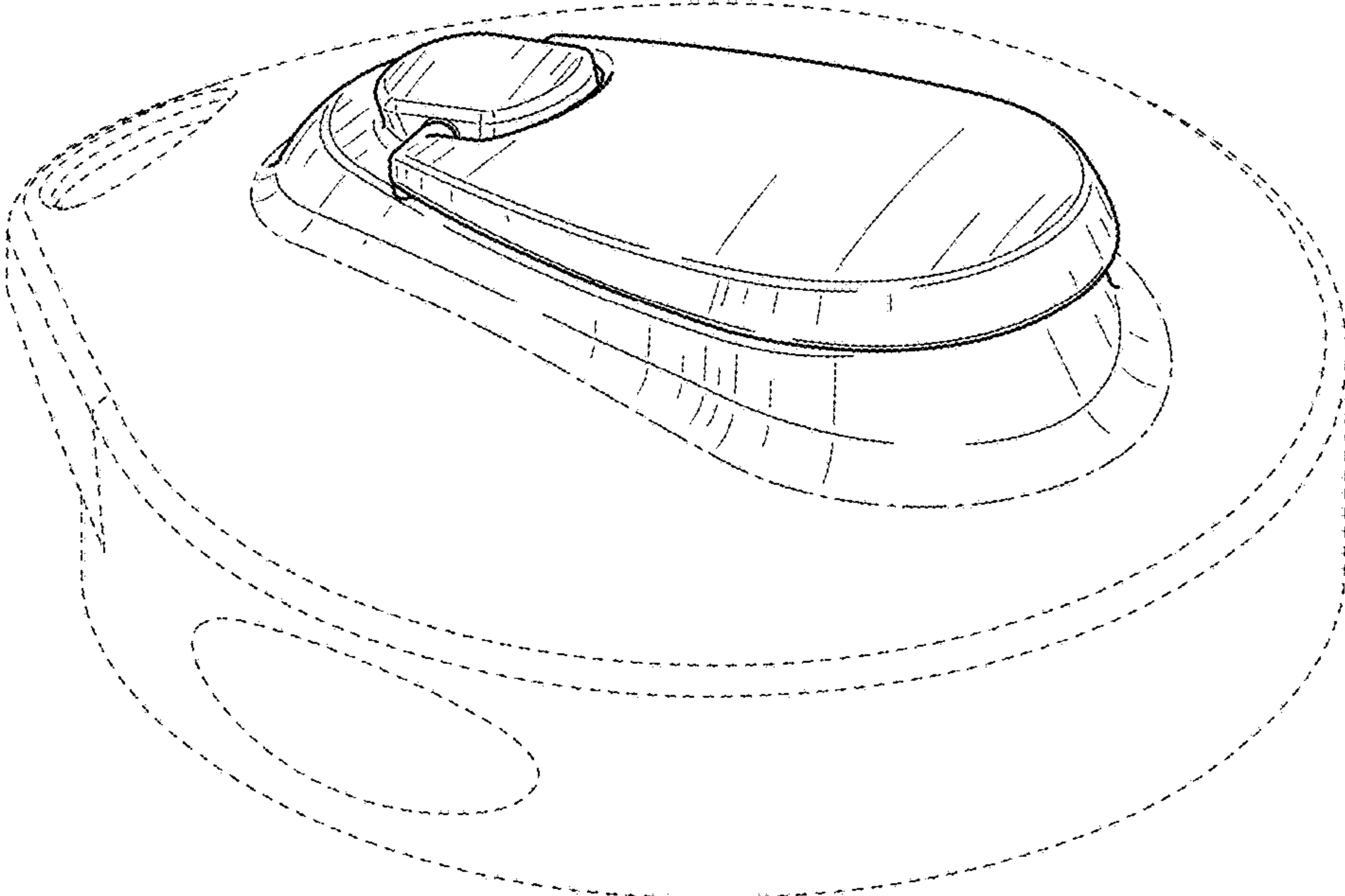


FIG. 1

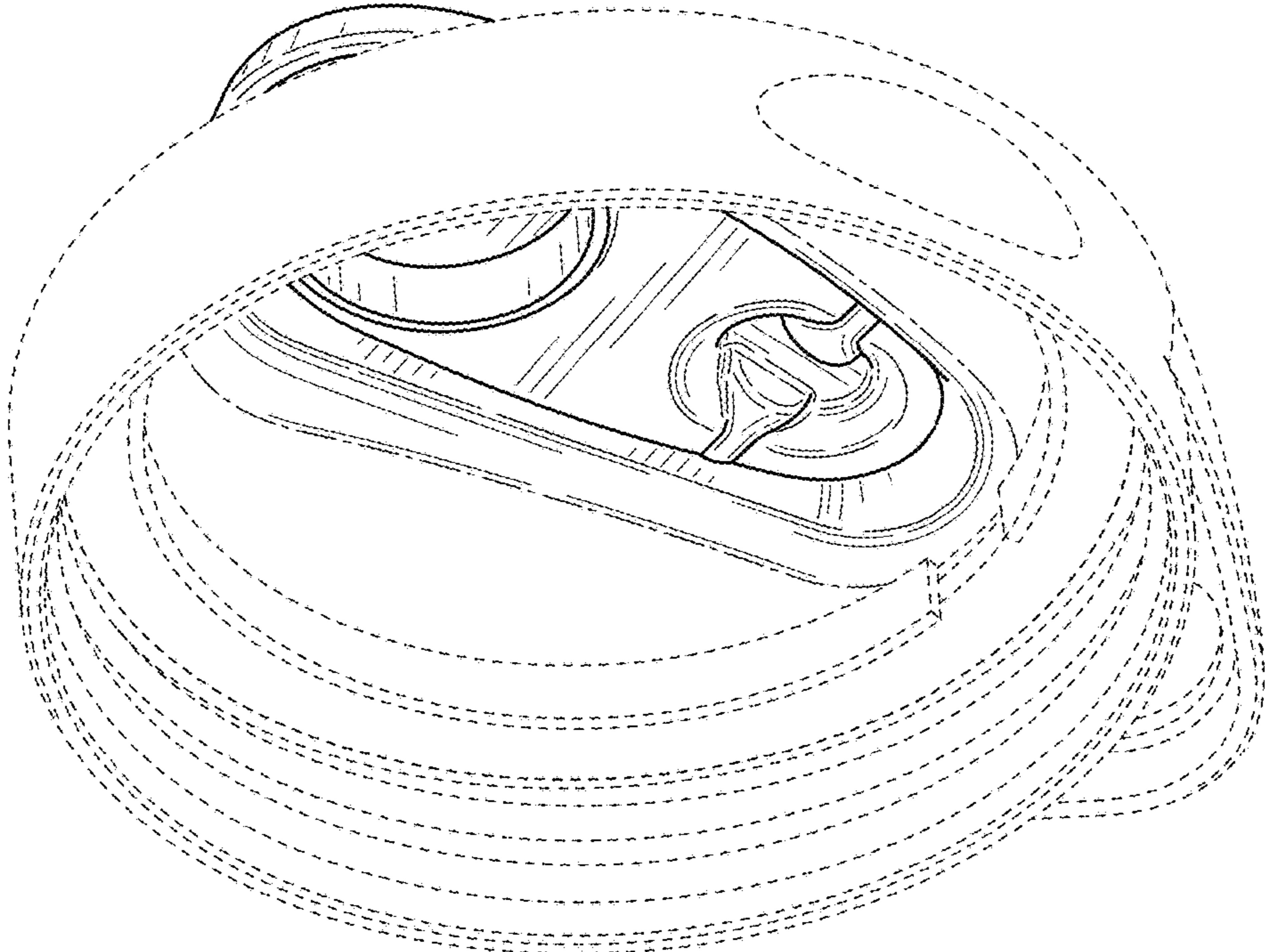


FIG. 2

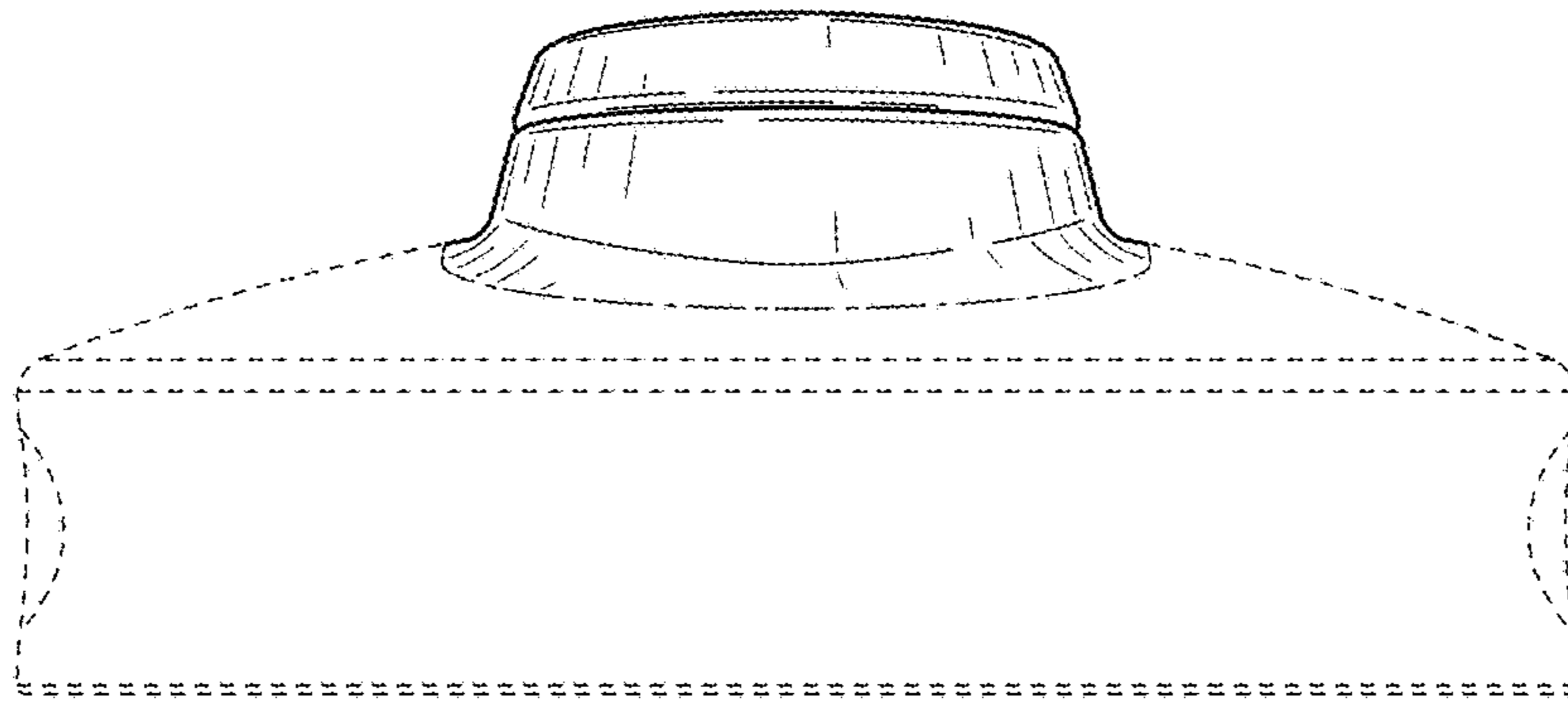


FIG. 3

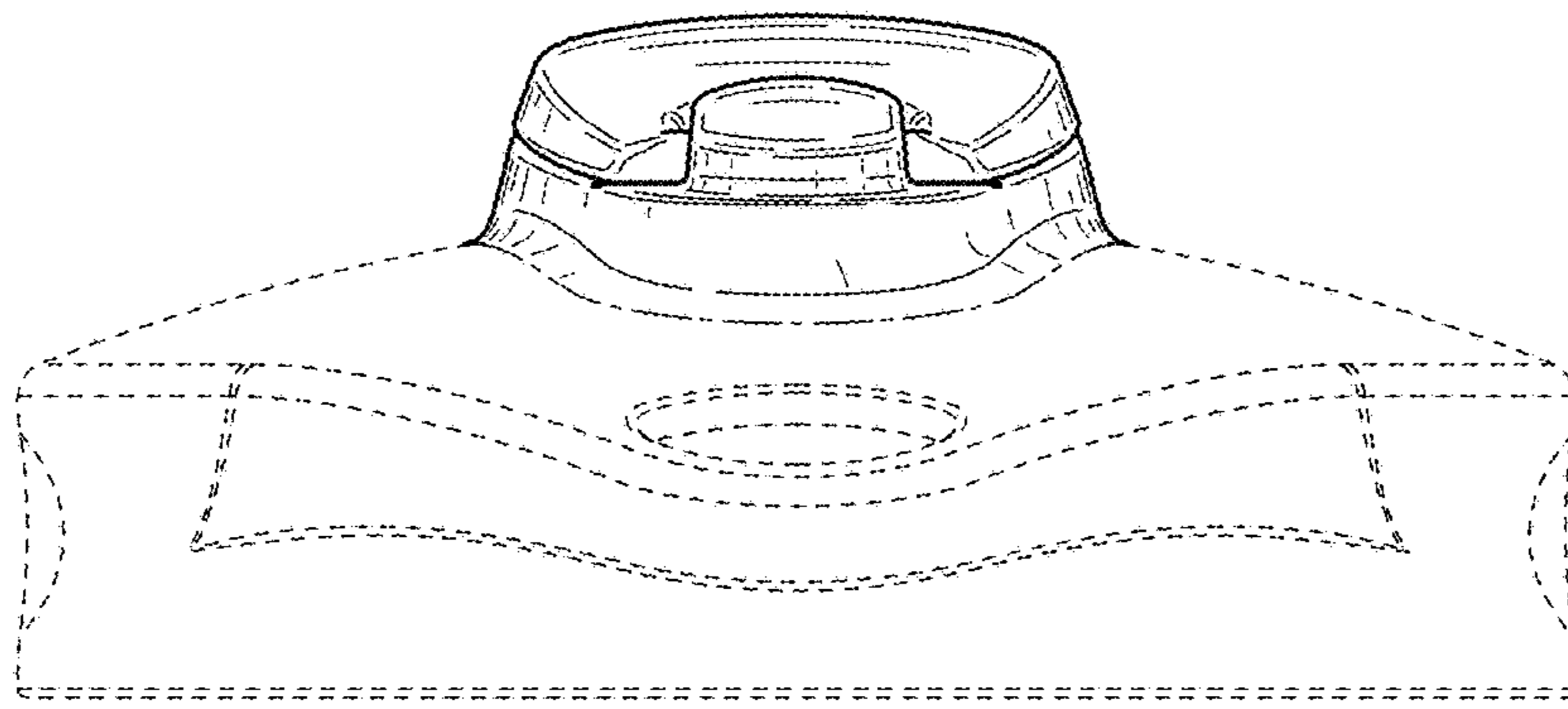


FIG. 4

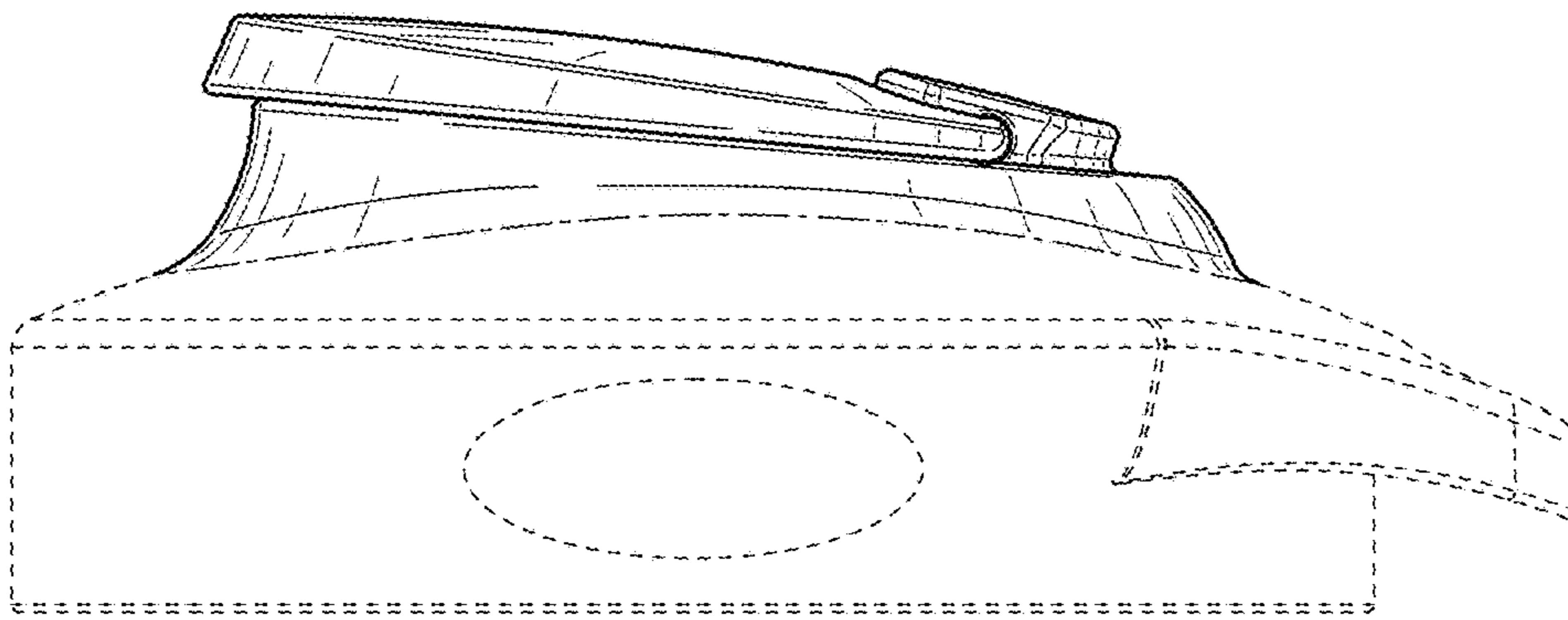


FIG. 5

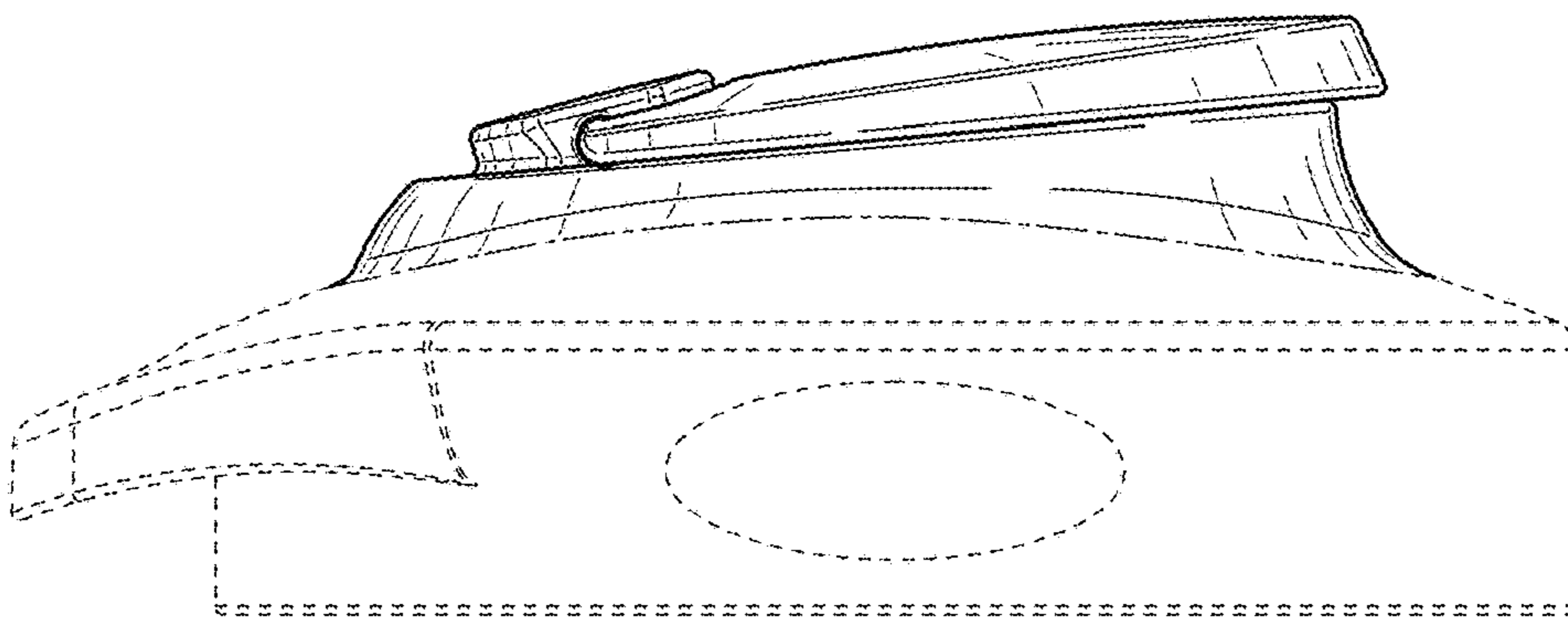


FIG. 6

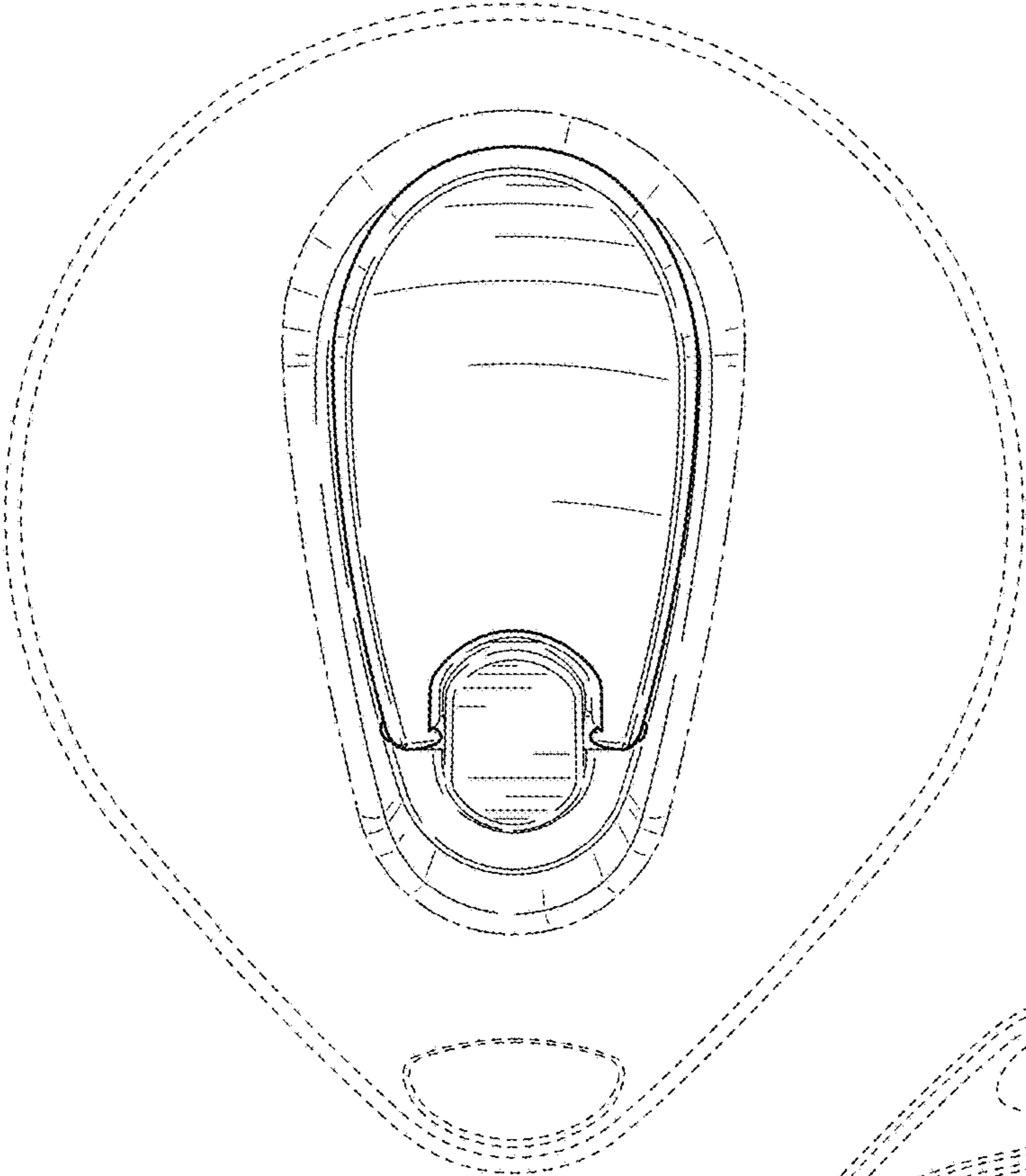


FIG. 7

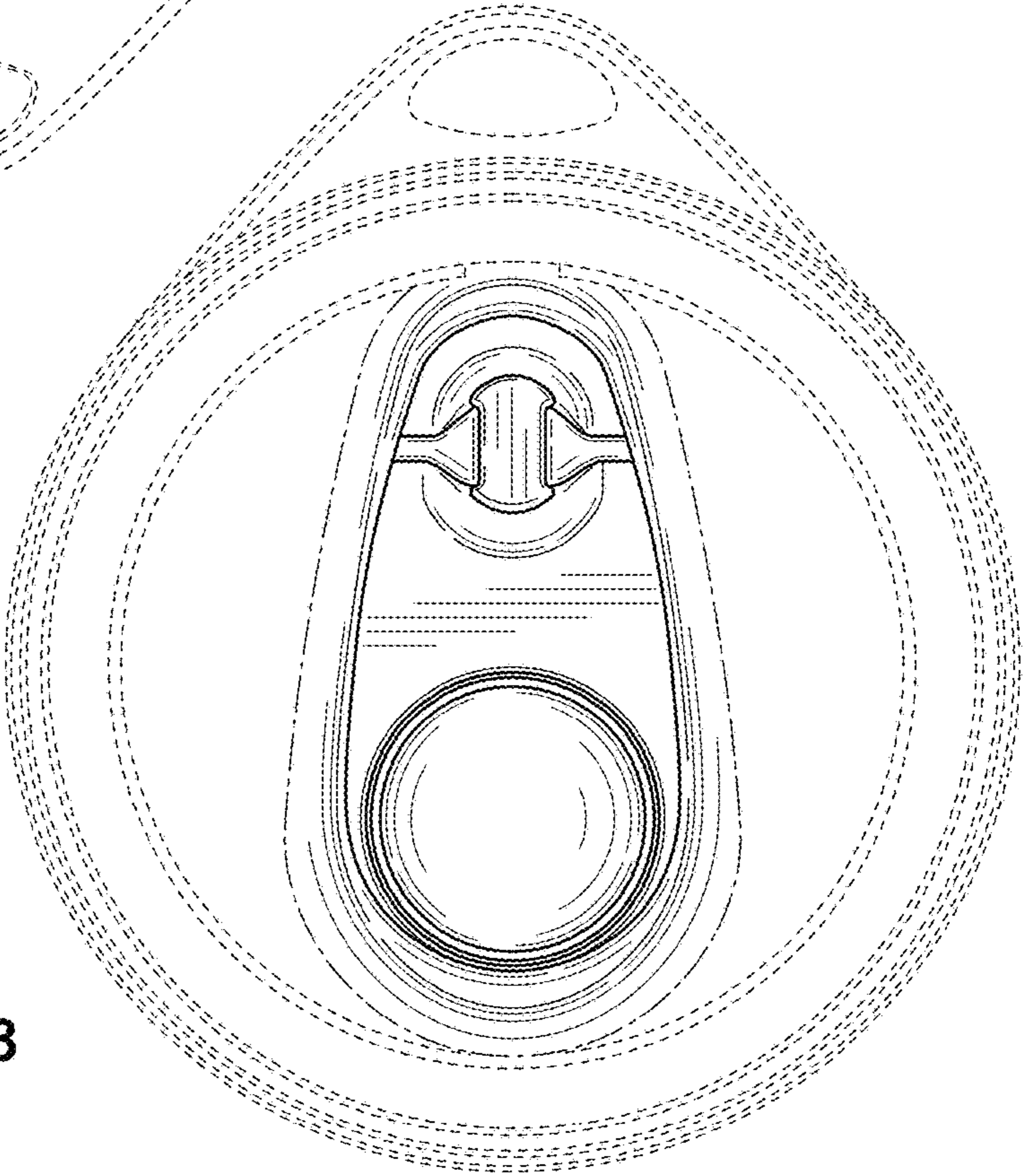


FIG. 8

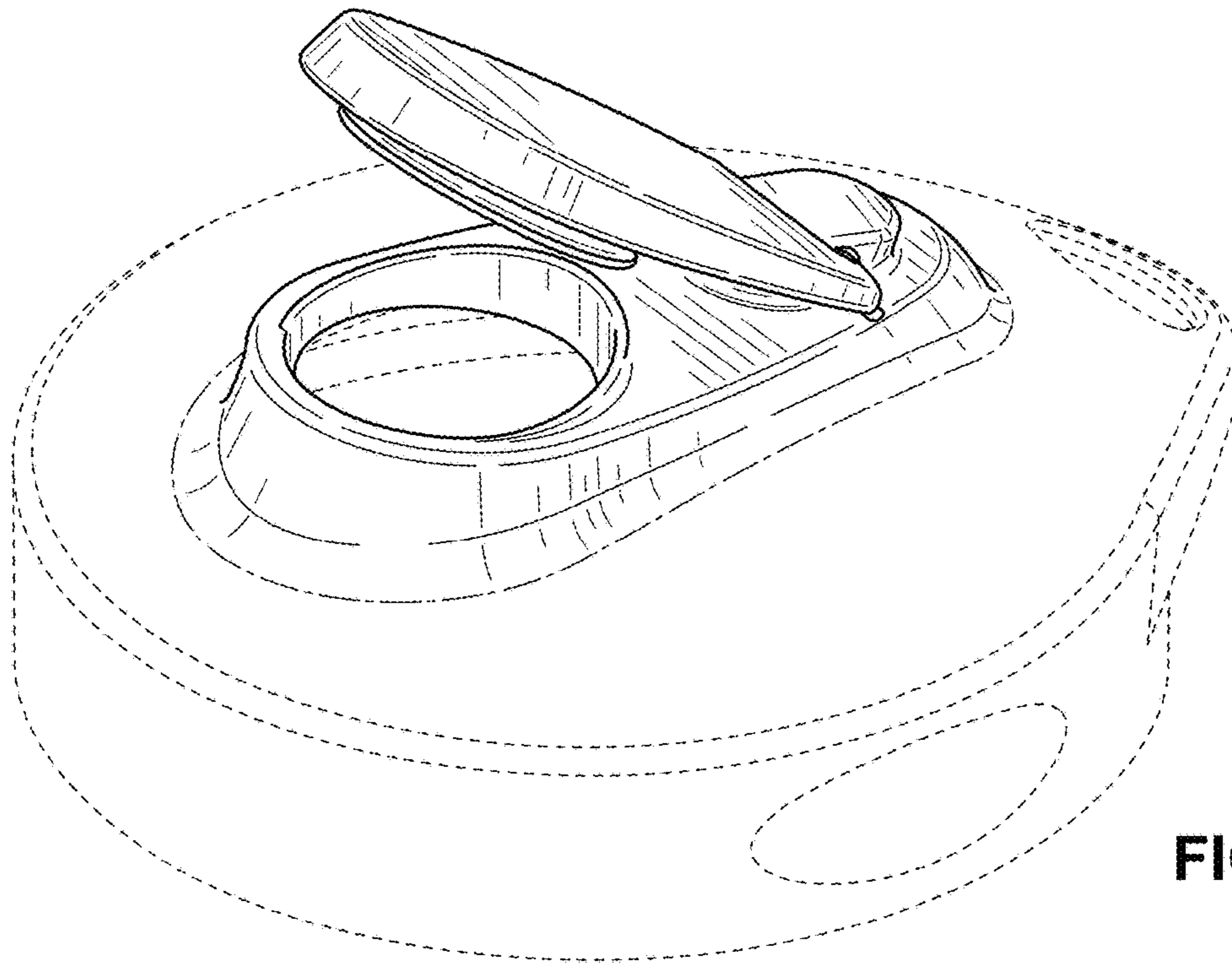


FIG. 9

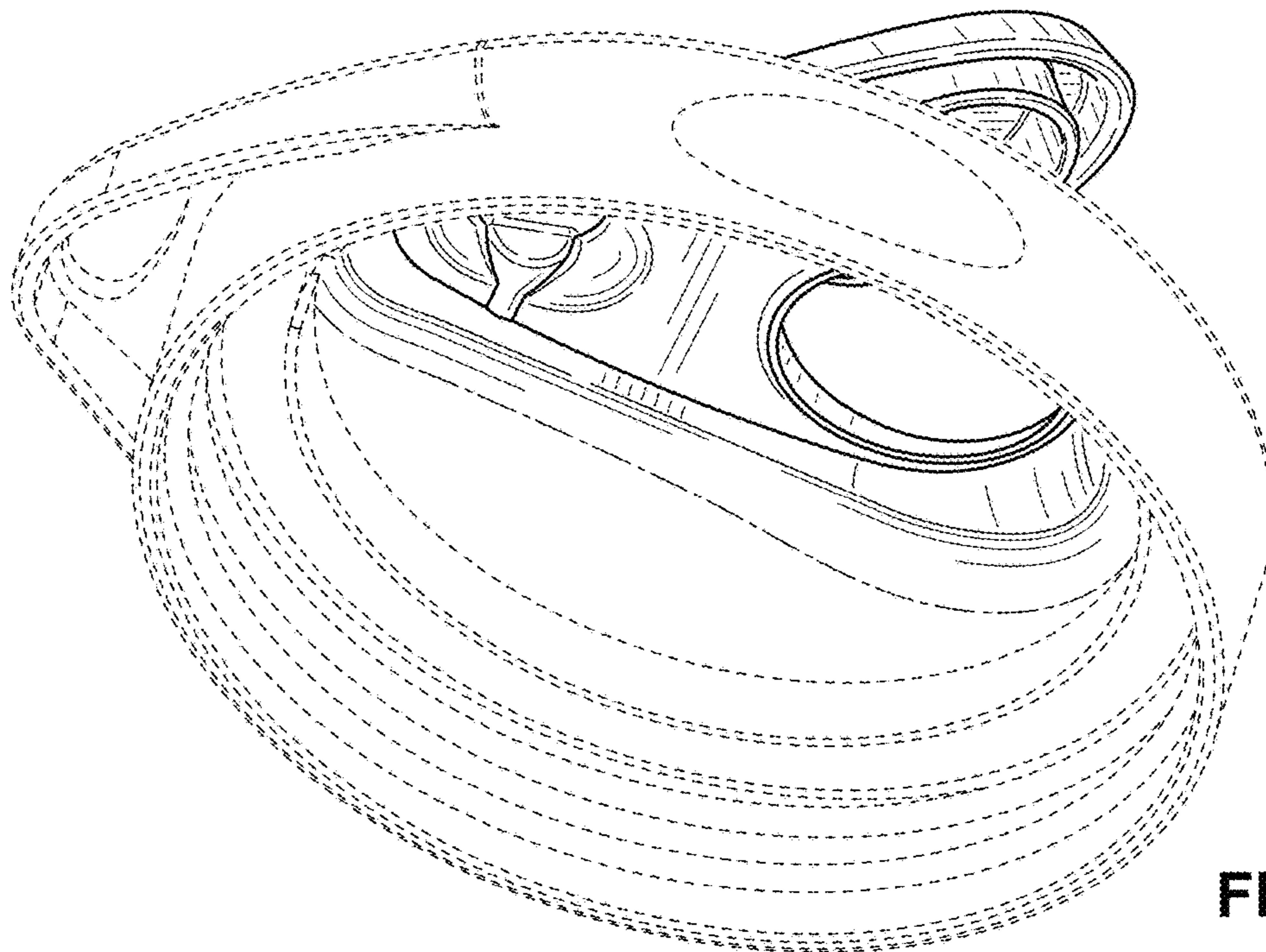


FIG. 10