



US00D856063S

(12) **United States Design Patent** (10) **Patent No.:** **US D856,063 S**  
**Lauther** (45) **Date of Patent:** **\*\* Aug. 13, 2019**

- (54) **COOLER STAND**
- (71) Applicant: **Michael Lauther**, Crawfordville, FL (US)
- (72) Inventor: **Michael Lauther**, Crawfordville, FL (US)
- (\*\*) Term: **15 Years**
- (21) Appl. No.: **29/645,280**
- (22) Filed: **Apr. 25, 2018**
- (51) **LOC (12) Cl.** ..... **07-99**
- (52) **U.S. Cl.**  
USPC ..... **D7/388**; D6/364
- (58) **Field of Classification Search**  
USPC ..... D7/388, 213, 558; D6/329, 334, 335, D6/336, 341, 349, 353, 364, 365, 367, D6/368, 685, 691, 698, 656, 656.15, 553, D6/555; D32/66  
CPC .... A47B 1/00; A47B 3/00; A47B 3/08; A47B 3/087  
See application file for complete search history.

- 7,900,566 B1 \* 3/2011 Bunker ..... A47C 7/68 108/167
- D638,638 S \* 5/2011 Fitzpatrick ..... D6/656.11
- D639,816 S \* 6/2011 Bau ..... D14/447
- D685,378 S \* 7/2013 Deng ..... D14/447
- D686,384 S \* 7/2013 Fosburgh ..... D32/66
- D735,492 S \* 8/2015 Coffman ..... D6/555
- D784,730 S \* 4/2017 Kruger ..... D6/574
- 2012/0199049 A1 \* 8/2012 Ruggiero ..... A47B 5/06 108/42

\* cited by examiner

*Primary Examiner* — Derrick E Holland

*Assistant Examiner* — Andrew Kerr

(74) *Attorney, Agent, or Firm* — The Rapacke Law Group, P.A.

(57) **CLAIM**

The ornamental design for a cooler stand, as shown and described.

**DESCRIPTION**

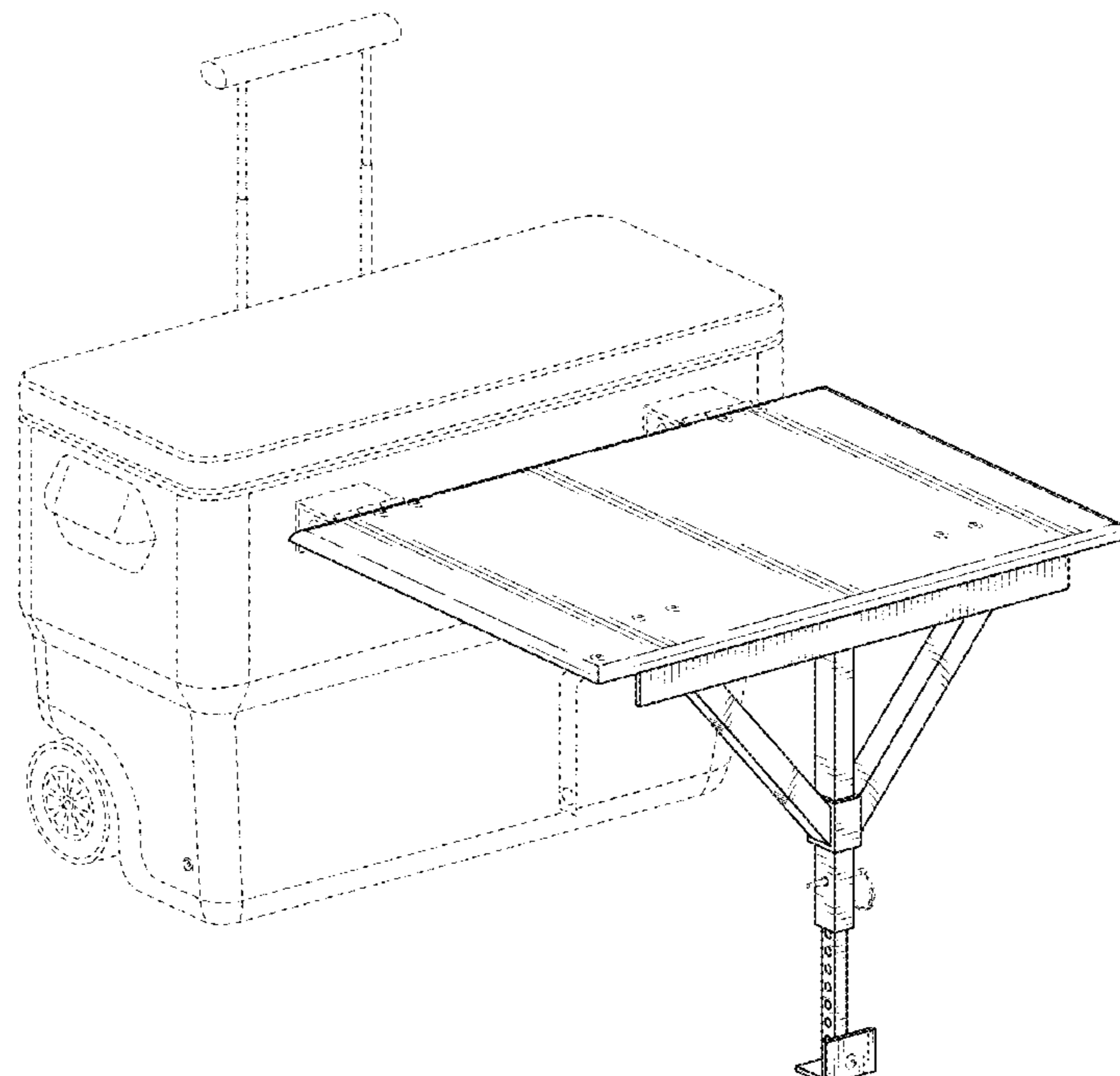
FIG. 1 is a left front perspective view of a cooler stand showing my new design;  
 FIG. 2 is a front elevational view thereof;  
 FIG. 3 is a rear elevational view thereof;  
 FIG. 4 is a left side elevational view thereof;  
 FIG. 5 is a right side elevational view thereof;  
 FIG. 6 is a top plan view thereof;  
 FIG. 7 is a bottom plan view thereof; and,  
 FIG. 8 is a left front perspective view thereof, in an alternate position.  
 The broken lines in the drawings illustrate environmental subject matter and form no part of the claimed design.

**1 Claim, 5 Drawing Sheets**

(56) **References Cited**

U.S. PATENT DOCUMENTS

- 4,803,930 A \* 2/1989 Crocoli ..... A47B 5/06 108/117
- D305,632 S \* 1/1990 Kraklio ..... D12/172
- D355,990 S \* 3/1995 Vincelli ..... D6/555
- 5,528,993 A \* 6/1996 Vincelli ..... A47B 5/06 108/42
- D389,452 S \* 1/1998 Scott ..... D12/415
- D445,395 S \* 7/2001 Okerlund ..... D12/400
- D555,950 S \* 11/2007 Hart ..... D6/574



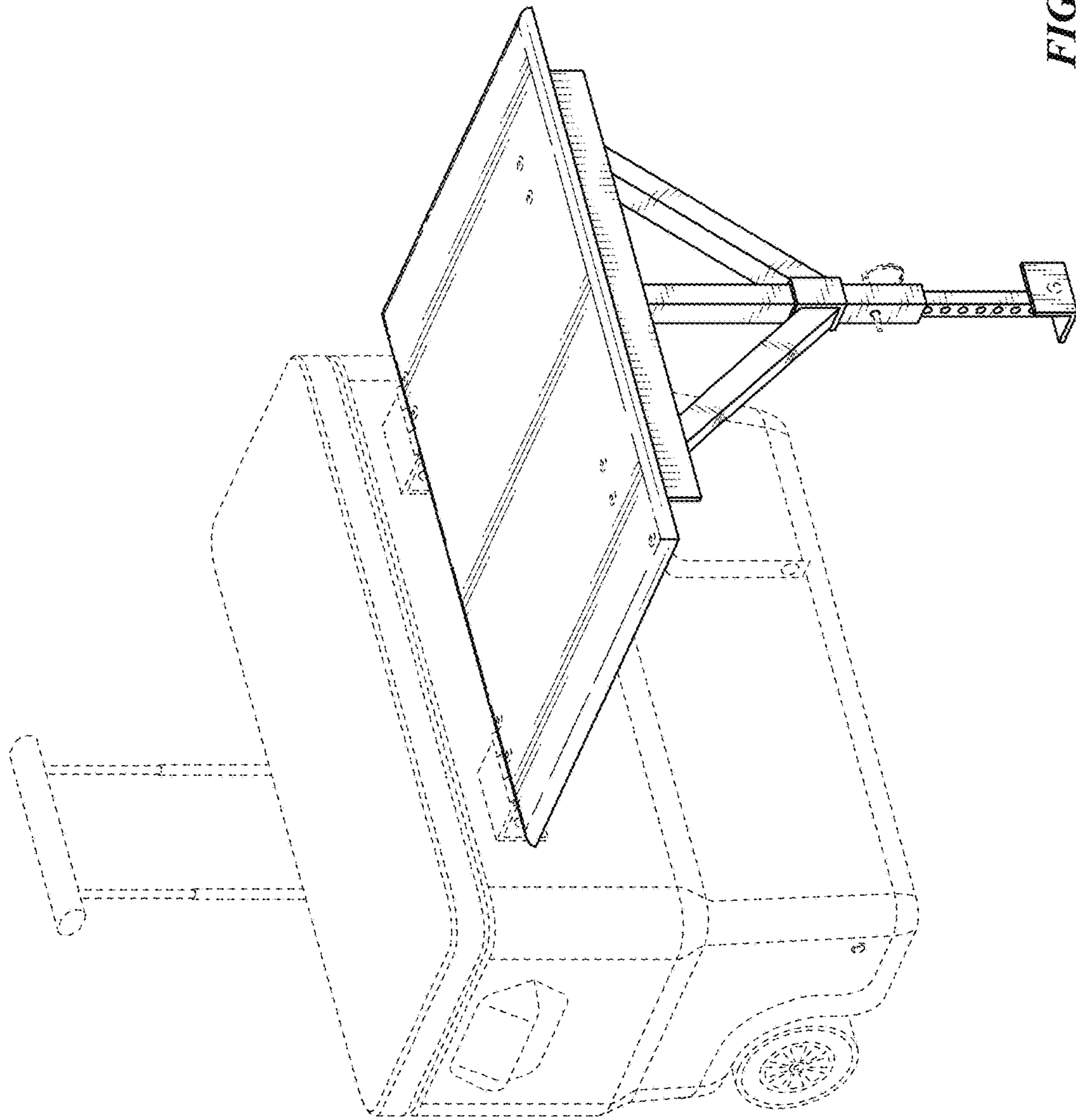
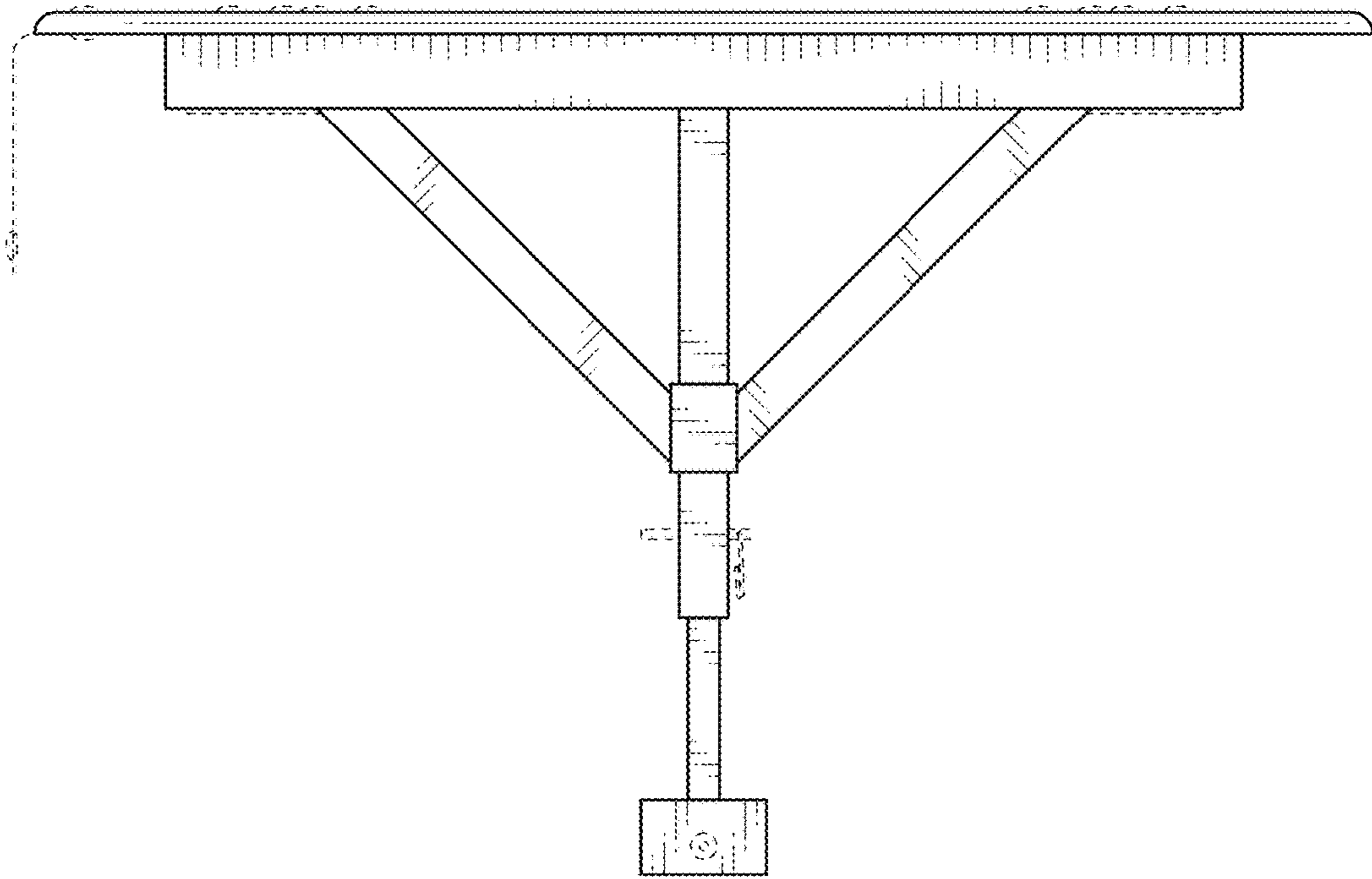
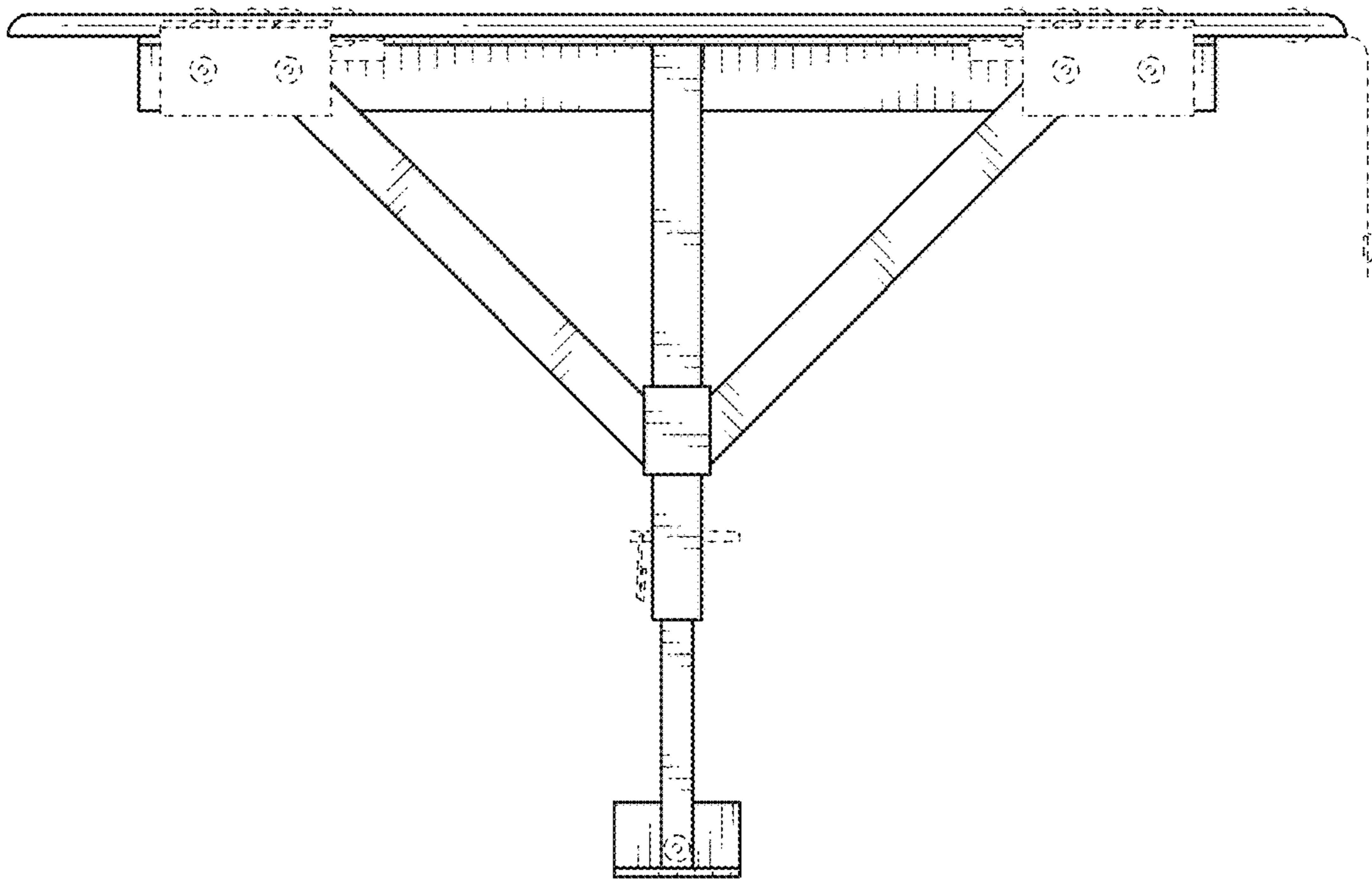


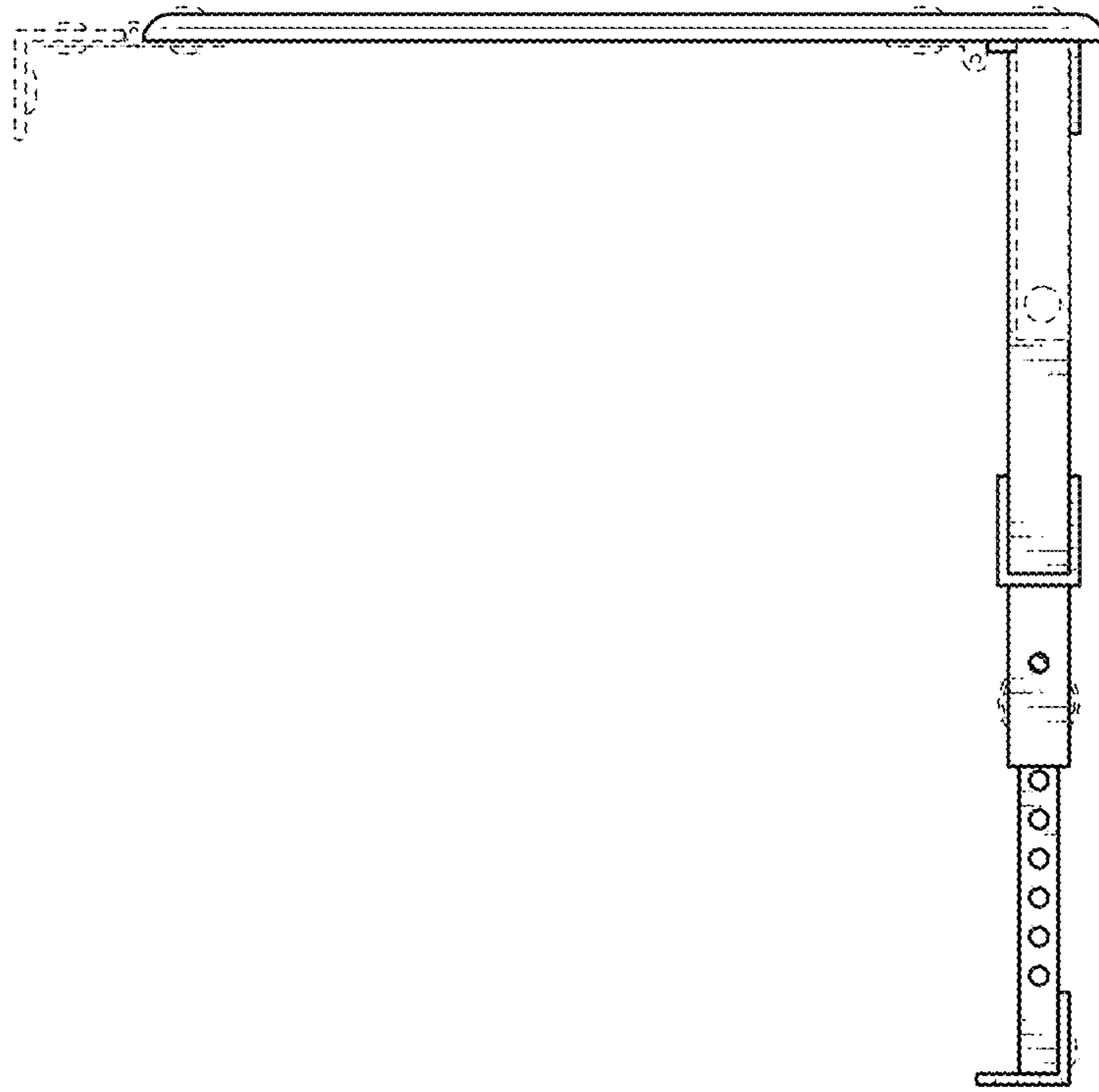
FIG. 1



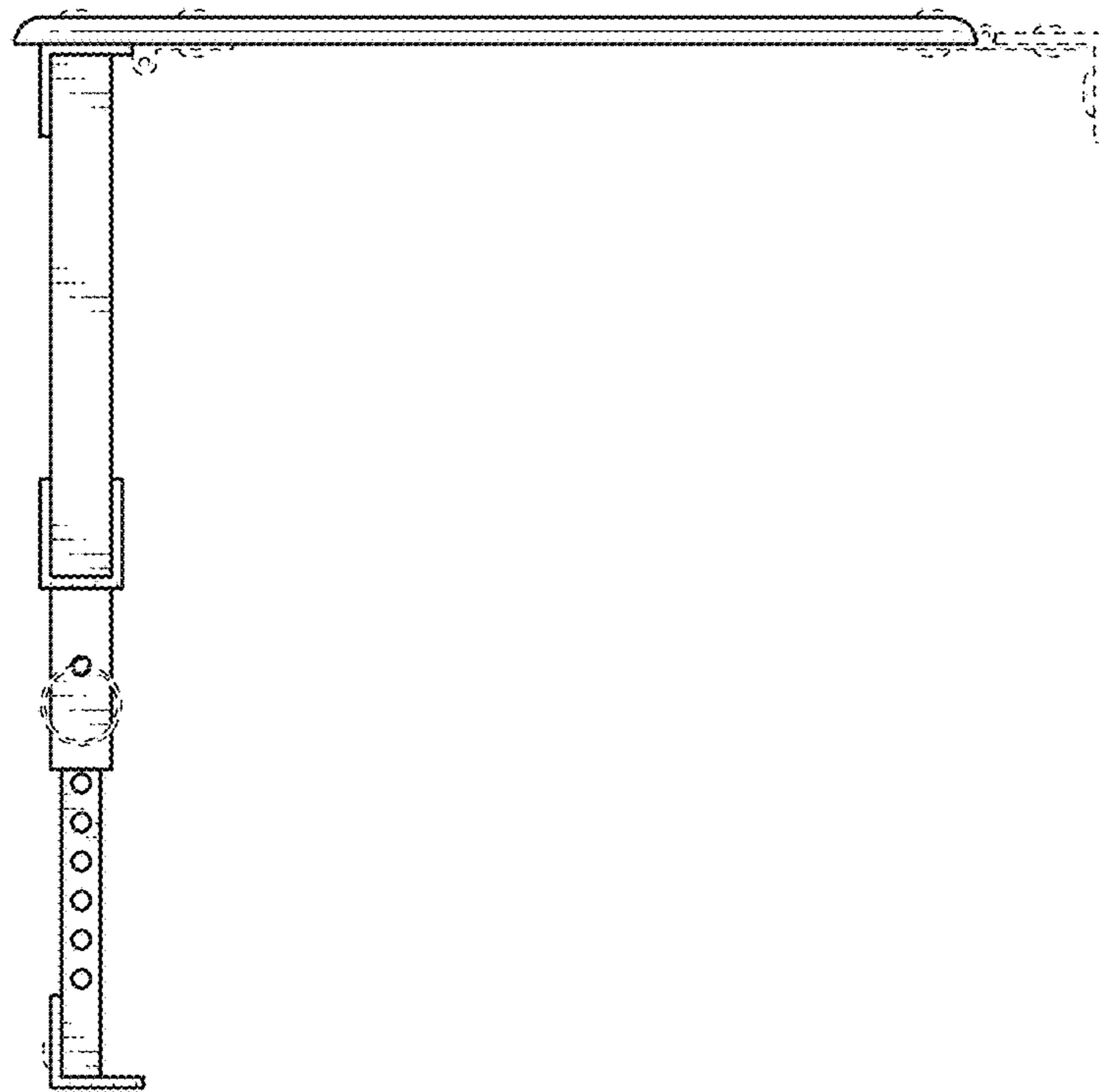
**FIG. 2**



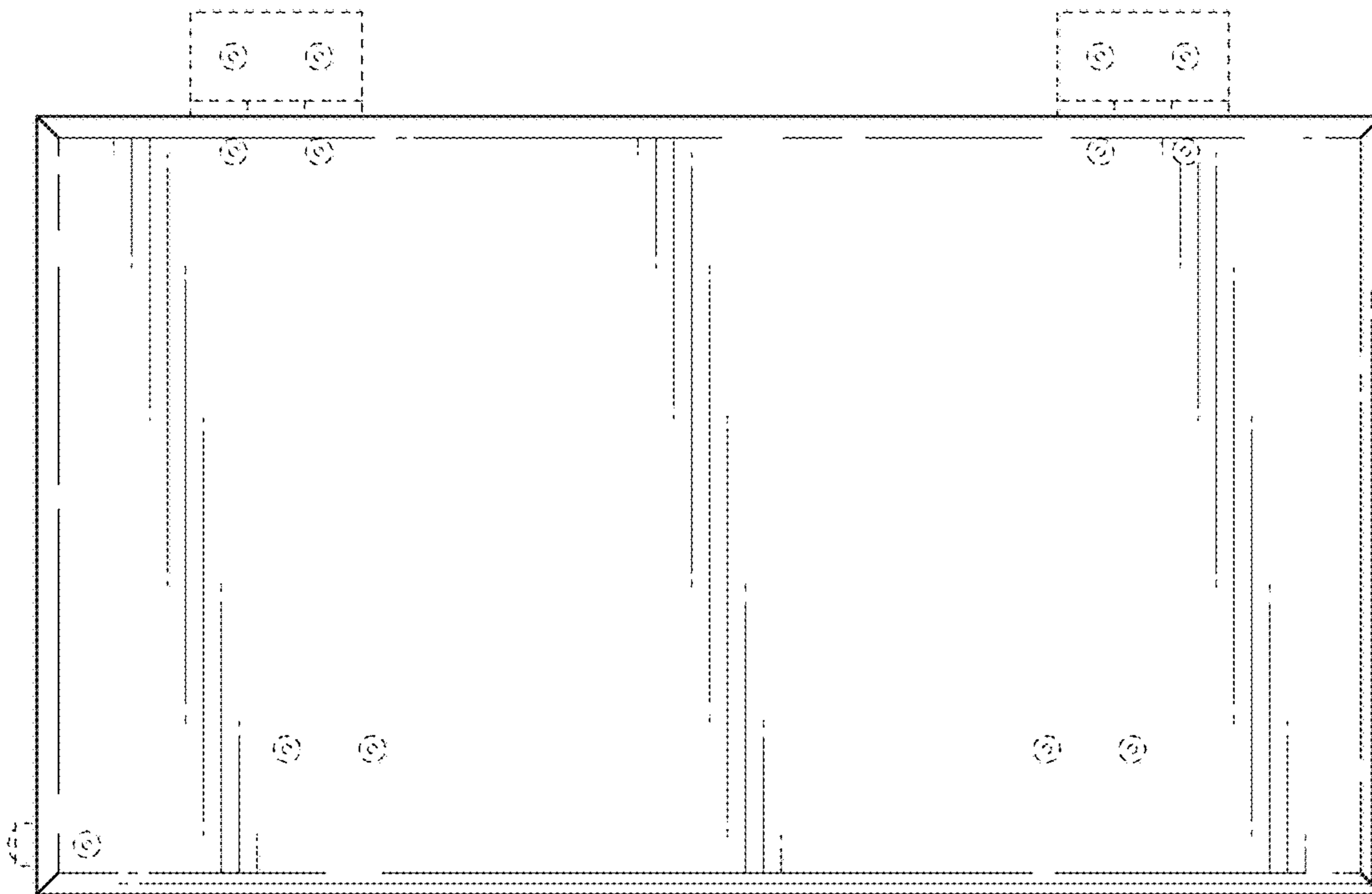
**FIG. 3**



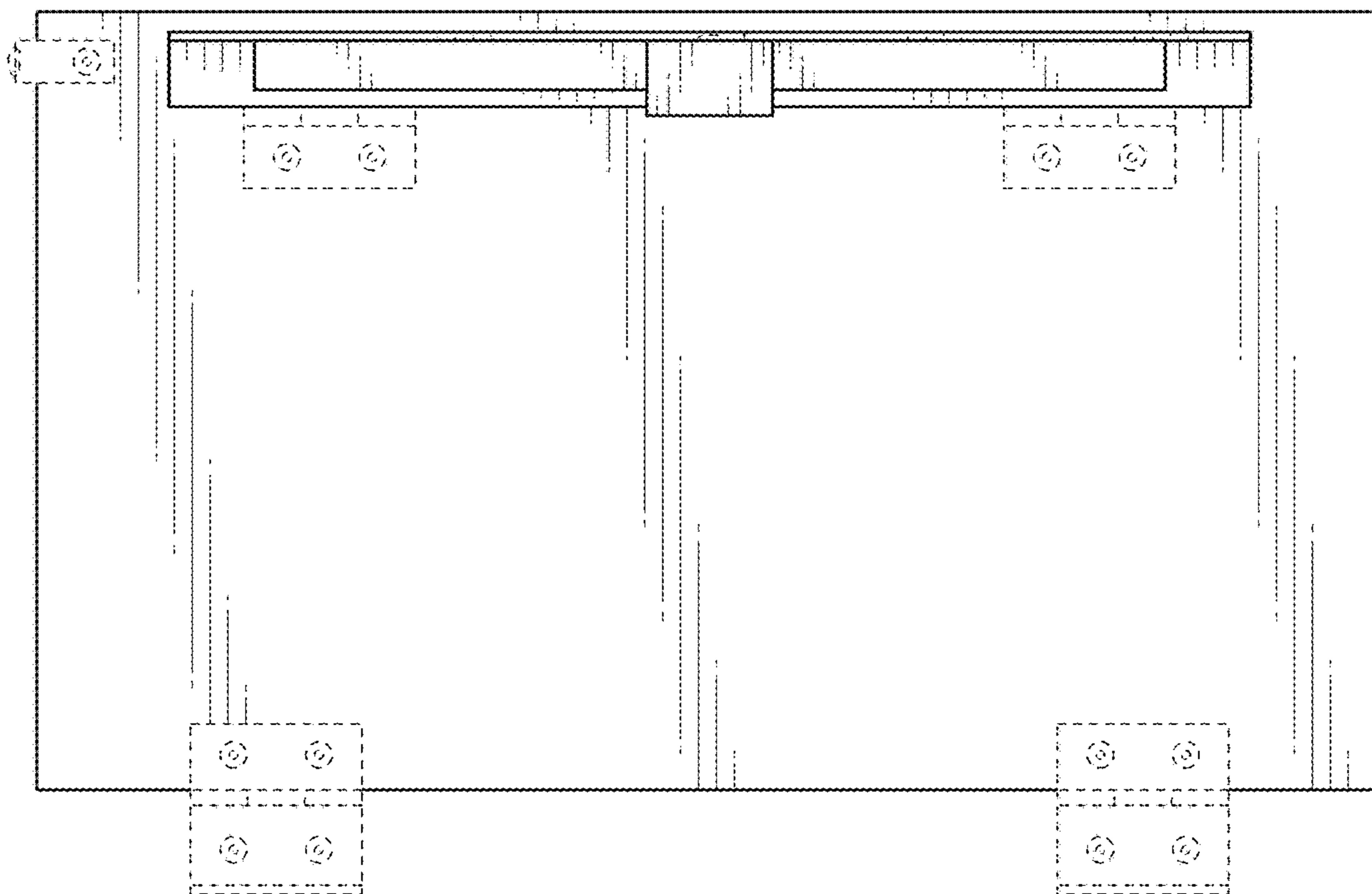
*FIG. 4*



*FIG. 5*

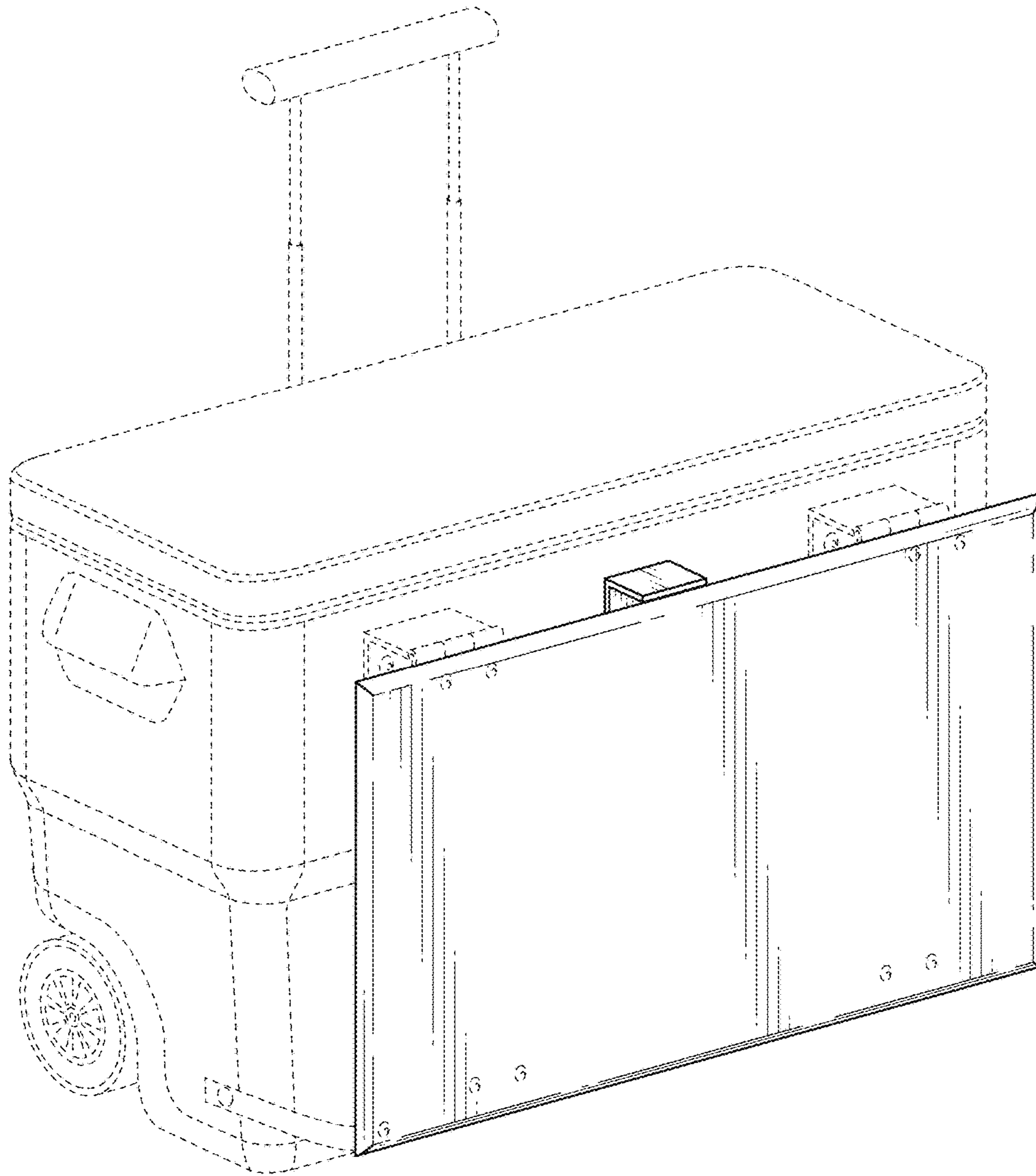


**FIG. 6**



**FIG. 7**





**FIG. 8**