



US00D856061S

(12) **United States Design Patent** (10) **Patent No.:** **US D856,061 S**  
**Lombardo et al.** (45) **Date of Patent:** **\*\* Aug. 13, 2019**

(54) **EGG COOKING DEVICE**

A47J 29/04; A47J 29/06; A47J 36/025;  
A47J 36/06; A47J 36/12; A63B 71/0045

(71) Applicants: **LoriAnn Lombardo**, East Hanover, NJ  
(US); **Aaron Szymanski**, Thomaston,  
CT (US); **Lana Rascionato**, Totowa, NJ  
(US)

See application file for complete search history.

(56)

**References Cited**

U.S. PATENT DOCUMENTS

(72) Inventors: **LoriAnn Lombardo**, East Hanover, NJ  
(US); **Aaron Szymanski**, Thomaston,  
CT (US); **Lana Rascionato**, Totowa, NJ  
(US)

D208,648 S *	9/1967	Warner	.....	D7/611
D368,414 S *	4/1996	VanHalteren	.....	D7/675
D443,478 S *	6/2001	Miller	.....	D7/540
D447,684 S *	9/2001	Hogman	.....	D9/757
D459,988 S *	7/2002	Hogman	.....	D9/757
D504,286 S *	4/2005	de Cleir	.....	D7/675
D535,517 S *	1/2007	Dolgonos	.....	D7/373
D606,421 S *	12/2009	Krummenacher	.....	D9/757
D654,759 S *	2/2012	Browning	.....	D7/354
D714,093 S *	9/2014	Browning	.....	D7/354
D747,621 S *	1/2016	Amerson	.....	D7/354
D782,334 S *	3/2017	Bishop	.....	D9/757
D825,253 S *	8/2018	Kilicarslan	.....	D7/354

(73) Assignee: **IdeaVillage Products Corporation**,  
Wayne, NJ (US)

(\*\*) Term: **15 Years**

(21) Appl. No.: **29/651,314**

(22) Filed: **Apr. 23, 2018**

\* cited by examiner

**Related U.S. Application Data**

(63) Continuation-in-part of application No. 29/651,188,  
filed on Feb. 5, 2018, and a continuation-in-part of  
application No. 29/651,181, filed on Feb. 5, 2018.

*Primary Examiner* — Ricky Pham

(74) *Attorney, Agent, or Firm* — Dan DeLaRosa

(51) **LOC (12) Cl.** ..... **07-02**

(57)

**CLAIM**

The ornamental design for an egg cooking device, as shown  
and described.

(52) **U.S. Cl.**

**DESCRIPTION**

USPC ..... **D7/357**; D7/354

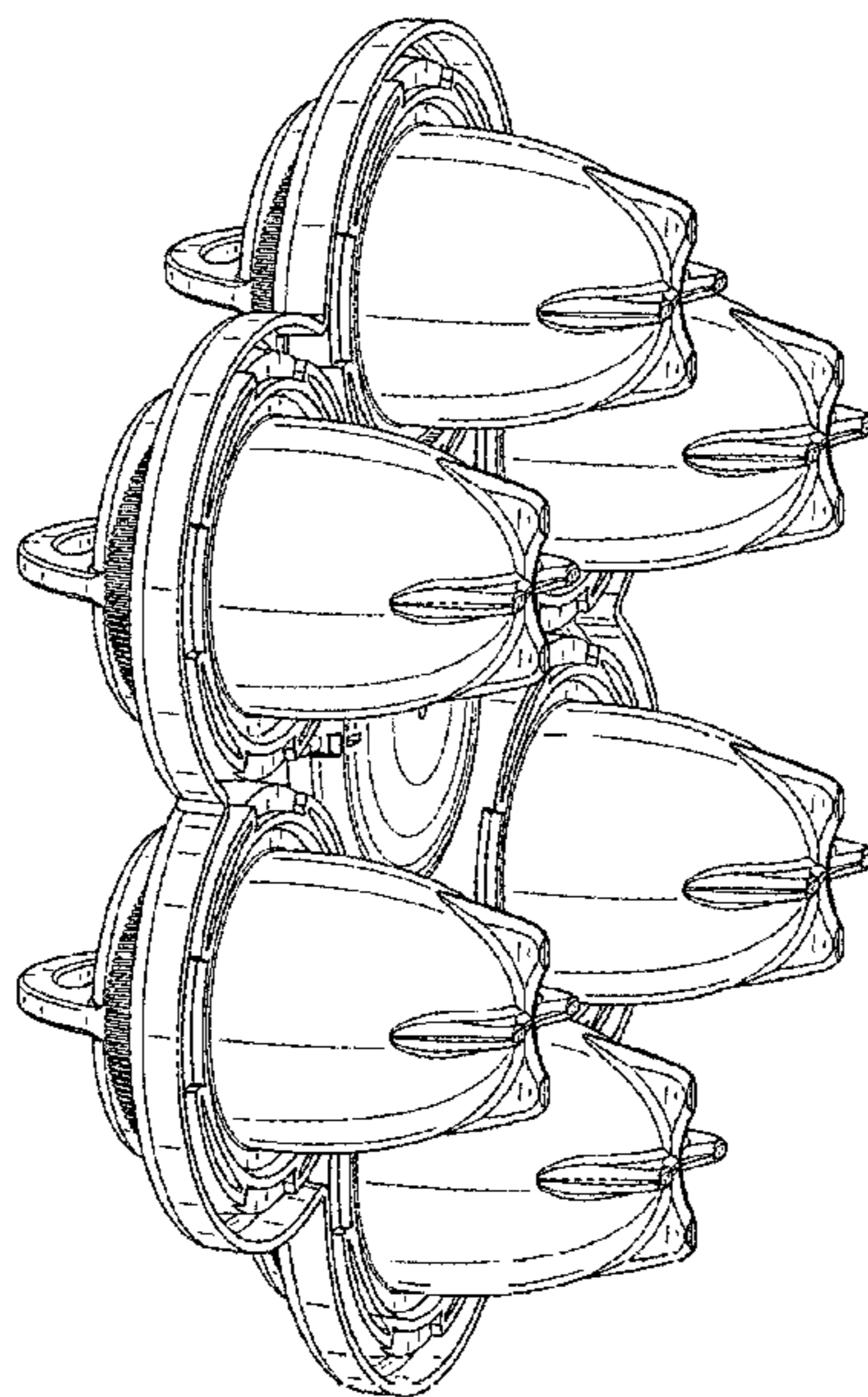
(58) **Field of Classification Search**

USPC ..... D7/323, 354–361, 373, 500, 501, 503,  
D7/540, 600, 611, 675; D9/757

CPC .... A01K 41/02; A01K 41/023; A01K 41/026;  
A01K 41/06; A21B 3/132; A21B 5/02;  
A21B 5/026; A21B 5/04; A21C 11/106;  
A23B 5/00; A23B 5/005; A23B 5/0052;  
A47G 19/00; A47G 23/025; A47J 27/00;  
A47J 27/004; A47J 29/00; A47J 29/02;

FIG. 1 is a perspective view of an egg cooking device of the  
present invention showing our new design;  
FIG. 2 is a bottom plan view thereof;  
FIG. 3 is top plan view thereof;  
FIG. 4 is a front side elevation view thereof;  
FIG. 5 is back side elevation view thereof;  
FIG. 6 is a side elevation view thereof; and,  
FIG. 7 is another side elevation view thereof.

**1 Claim, 7 Drawing Sheets**



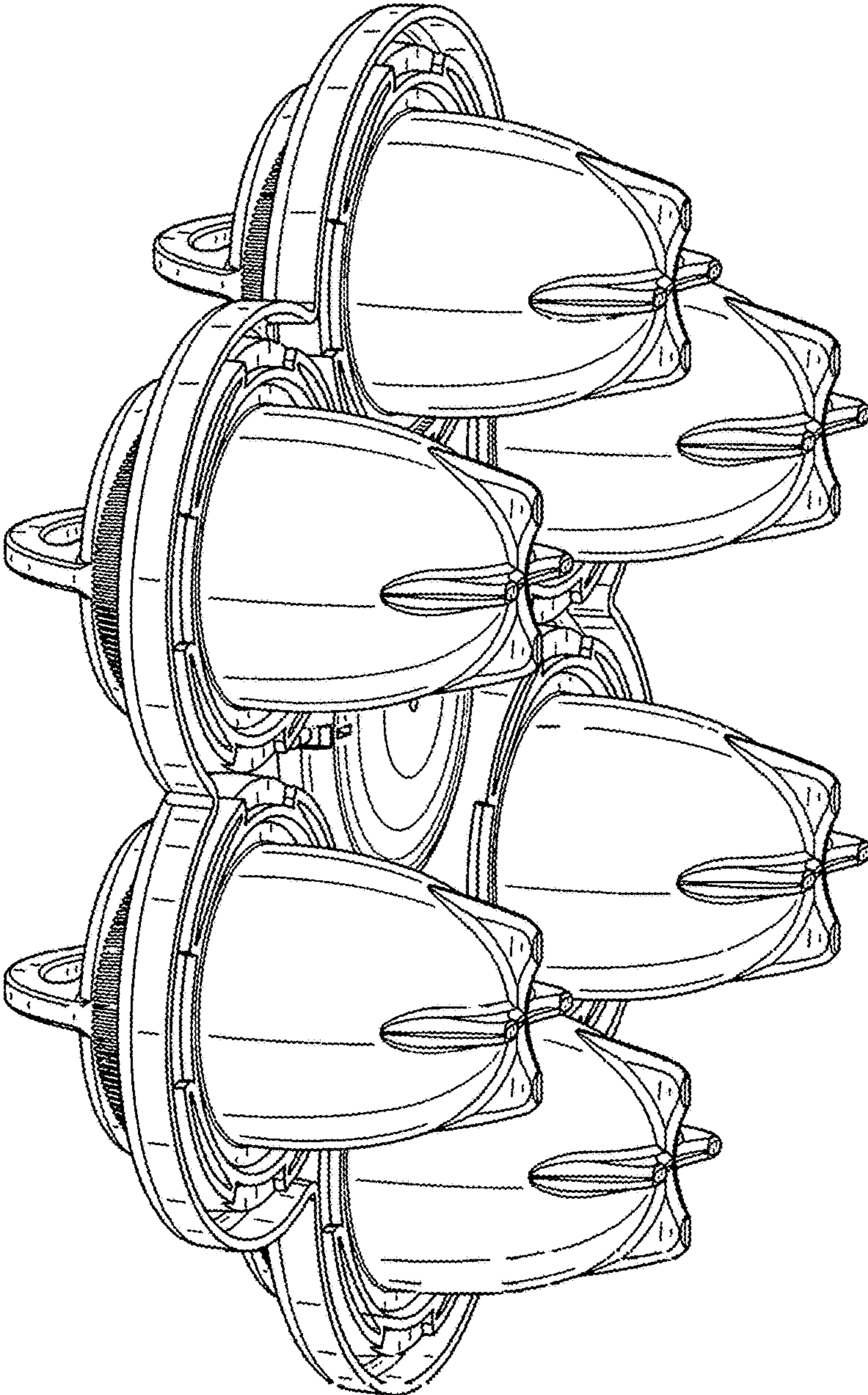


FIG. 1

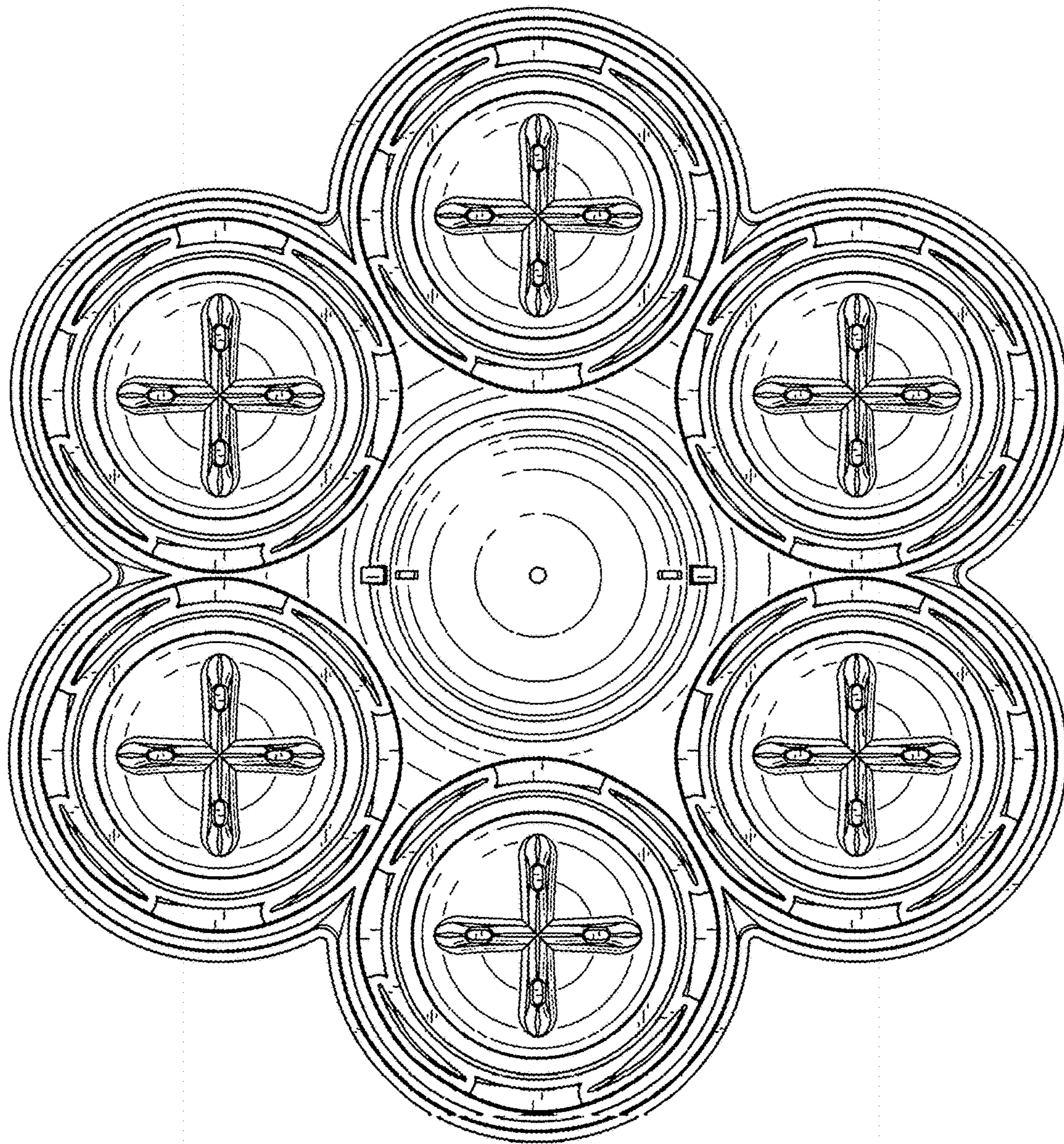


FIG. 2

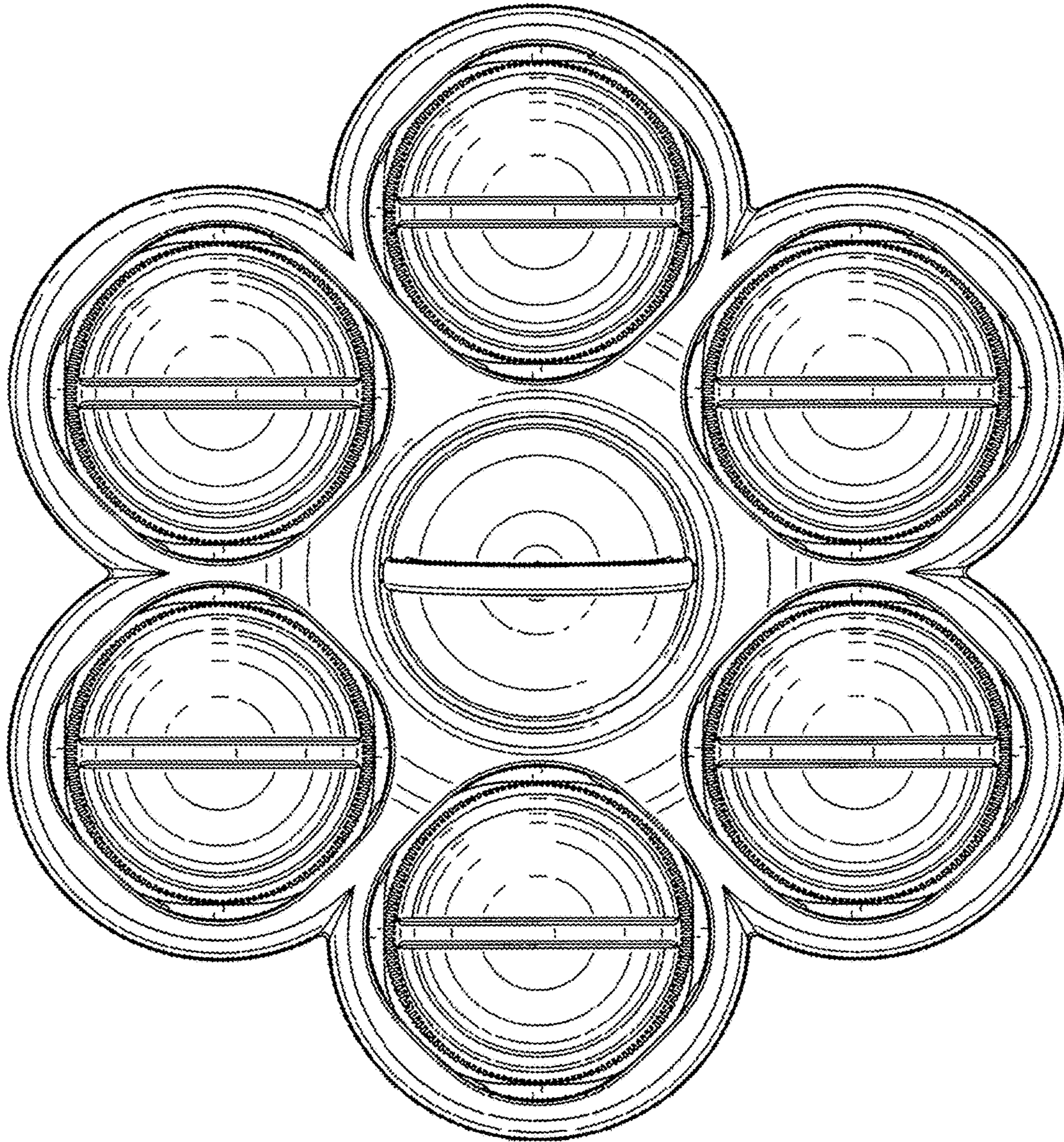


FIG. 3

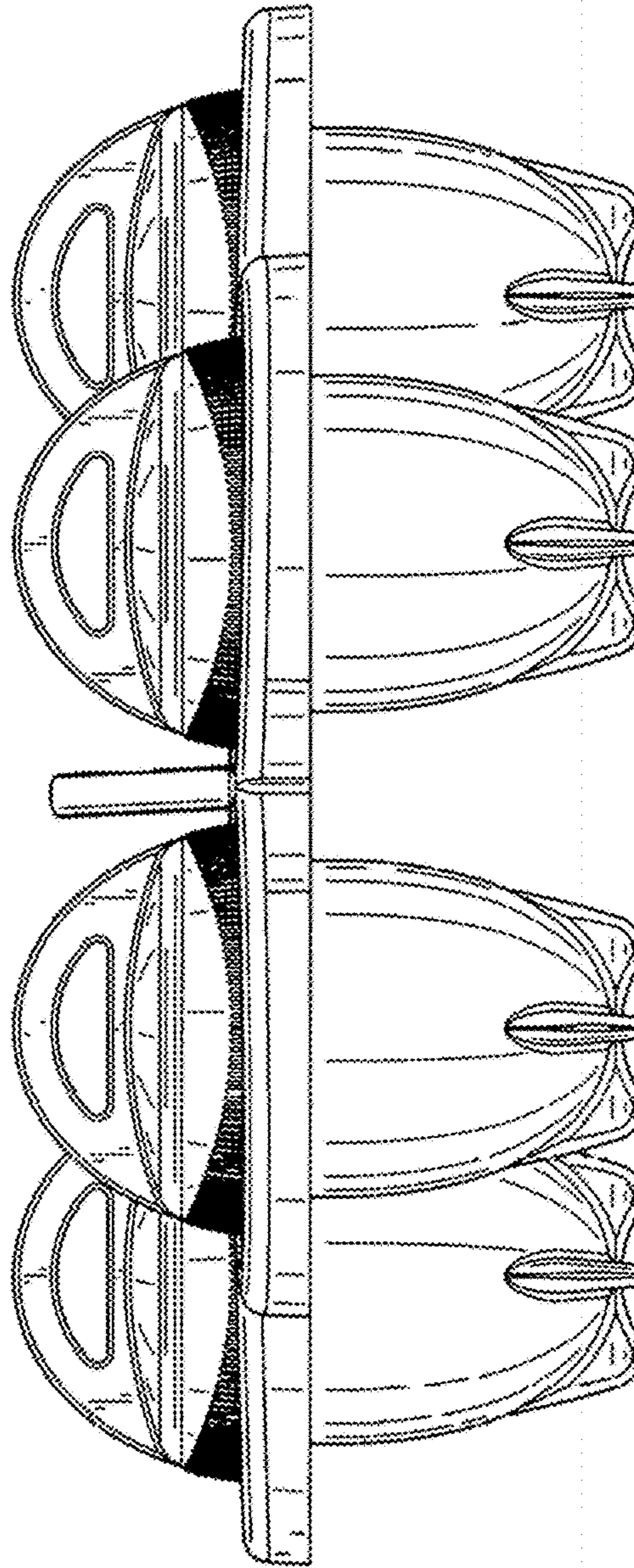


FIG. 4

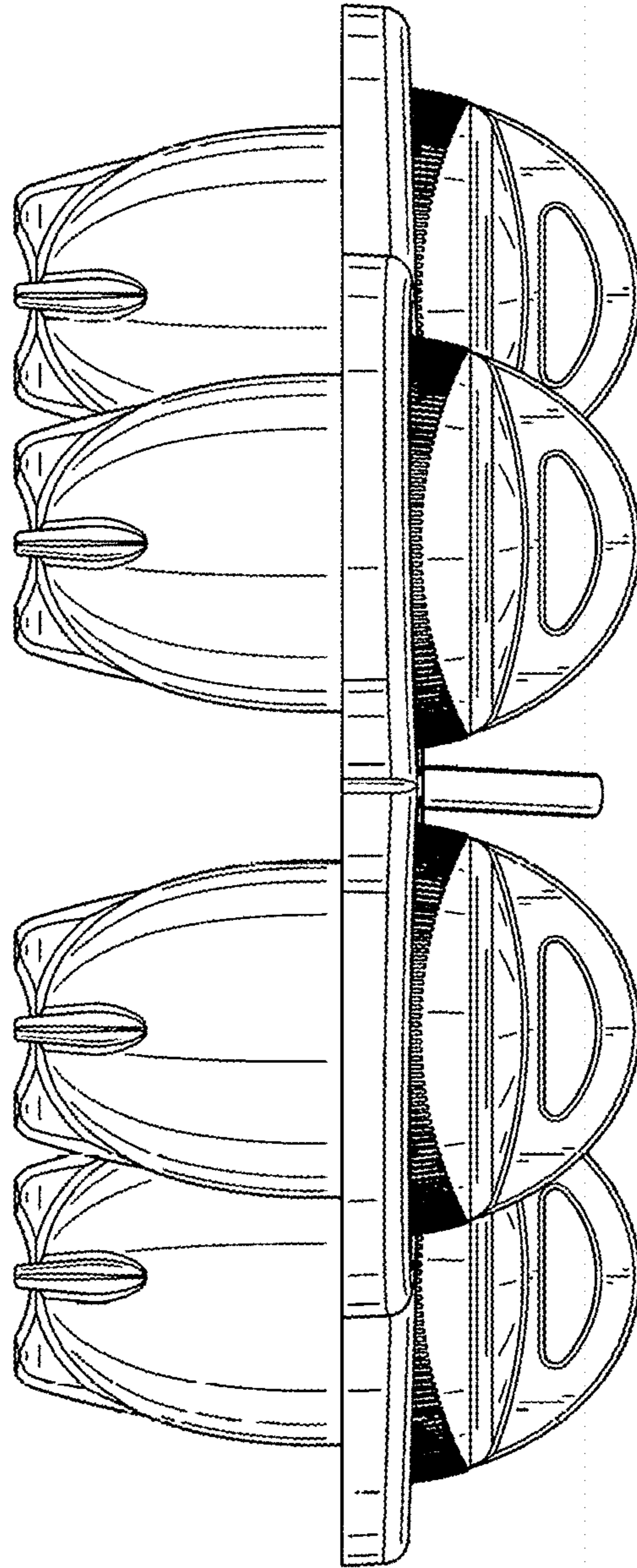


FIG. 5

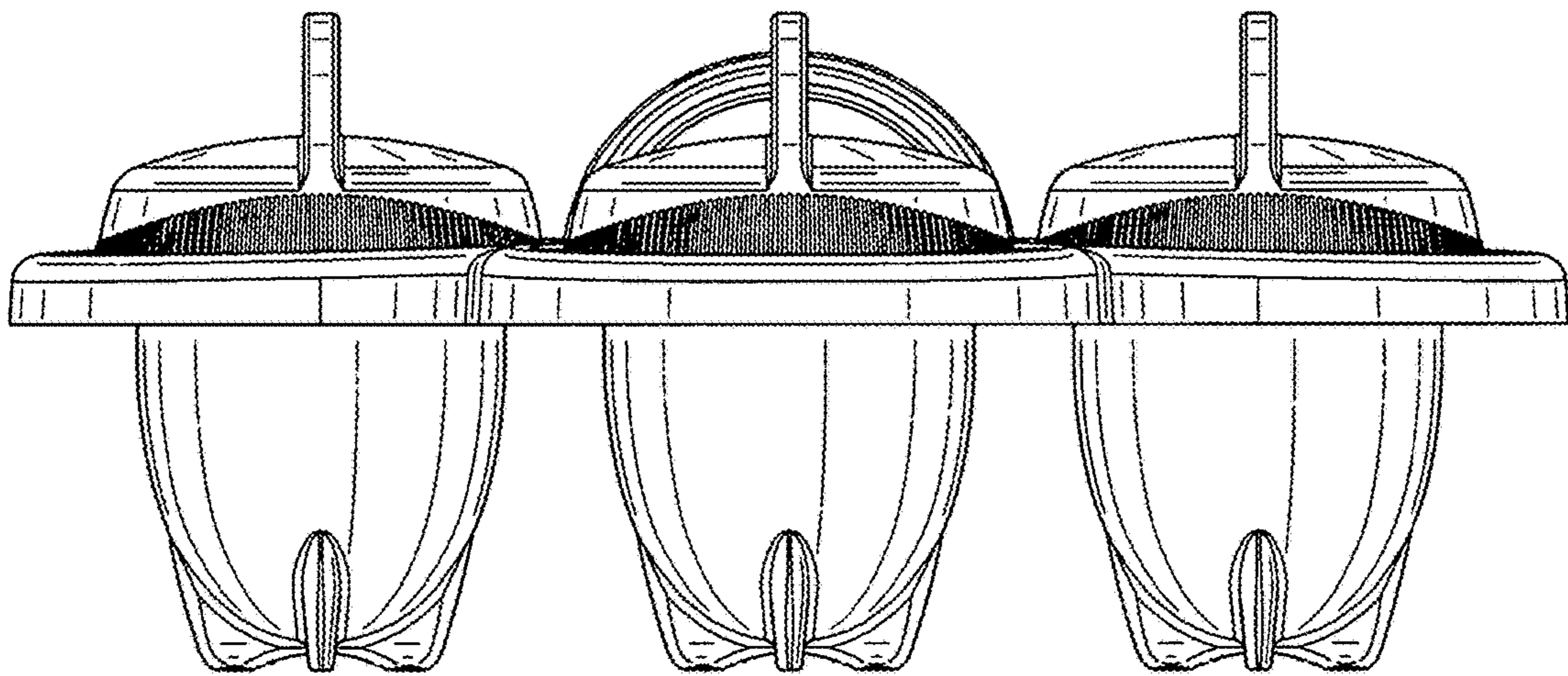


FIG. 6

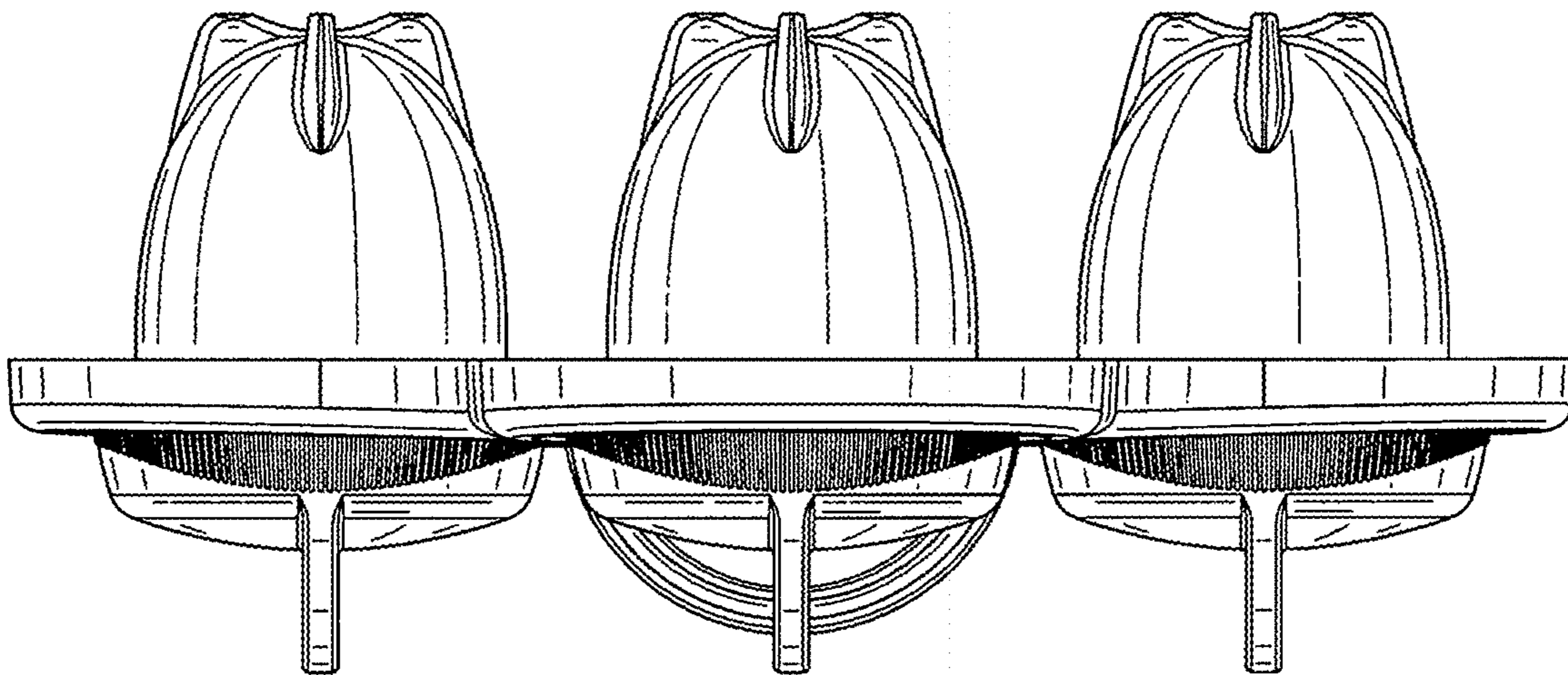


FIG. 7