



US00D856060S

(12) **United States Design Patent**
Kamatata

(10) **Patent No.:** **US D856,060 S**

(45) **Date of Patent:** **** Aug. 13, 2019**

(54) **MODULAR IDLI PLATE**

(71) Applicant: **Mahesh Kamatata**, Tinley Park, IL
(US)

(72) Inventor: **Mahesh Kamatata**, Tinley Park, IL
(US)

(**) Term: **15 Years**

(21) Appl. No.: **29/623,044**

(22) Filed: **Oct. 22, 2017**

(51) **LOC (12) Cl.** **07-02**

(52) **U.S. Cl.**
USPC **D7/357; D7/354**

(58) **Field of Classification Search**
USPC D7/323, 354–361, 543, 545, 549, 550.1,
D7/553.1–553.8, 554.1–554.4, 555, 584,
D7/586, 611, 675, 688; D9/430–433,
D9/455–456, 737, 756–762; D30/133
CPC .. A21B 3/00; A21B 3/003; A21B 3/13; A21B
3/15; A21B 3/134; A21B 5/00; A21B
5/02; A47J 36/022; A47J 36/025; A47J
36/027; A47J 37/00; A47J 37/04; A47J
37/108; A47J 43/28; A47J 43/284; B65D
1/22; B65D 1/24; B65D 1/34; B65D
1/36; B65D 81/343; B65D 85/36
See application file for complete search history.

(56) **References Cited**

U.S. PATENT DOCUMENTS

- 1,350,651 A * 8/1920 Hirst A47J 37/108
249/119
- D157,012 S * 1/1950 Towler D1/106

- D208,648 S * 9/1967 Warner D7/611
- D457,031 S * 5/2002 Wallays D7/357
- D512,330 S * 12/2005 Hall D9/757
- D543,413 S * 5/2007 Henry D7/357
- D568,004 S * 4/2008 Tiemann D30/121
- D577,950 S * 10/2008 Courington D7/357
- D579,262 S * 10/2008 Courington D7/357
- D698,196 S * 1/2014 Barber D7/354

* cited by examiner

Primary Examiner — Ricky Pham

(74) *Attorney, Agent, or Firm* — King & Partners, PLC

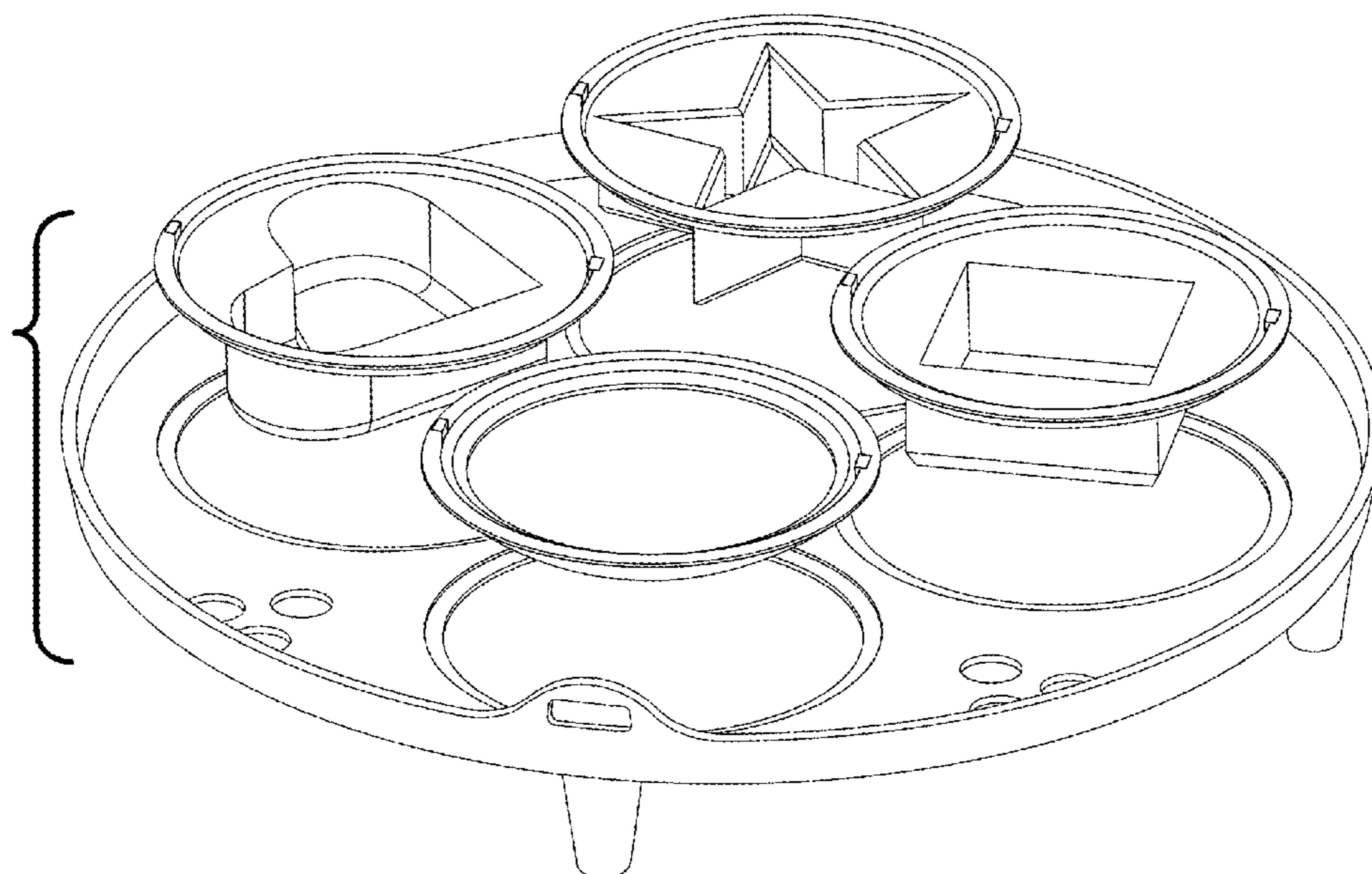
(57) **CLAIM**

The ornamental design for a modular idli plate, as shown and described.

DESCRIPTION

FIG. 1 is an exploded perspective view of a modular idli plate with various molds showing the new design;
 FIG. 2 is an isometric perspective view of my design;
 FIG. 3 is a top plan view thereof;
 FIG. 4 is a bottom plan view thereof;
 FIG. 5 is a front elevation view thereof;
 FIG. 6 is a back elevation view thereof;
 FIG. 7 is a left plan view thereof; and,
 FIG. 8 is a right plan view thereof.
 The design consists of a new modular idli plate with various modular molds.

1 Claim, 5 Drawing Sheets



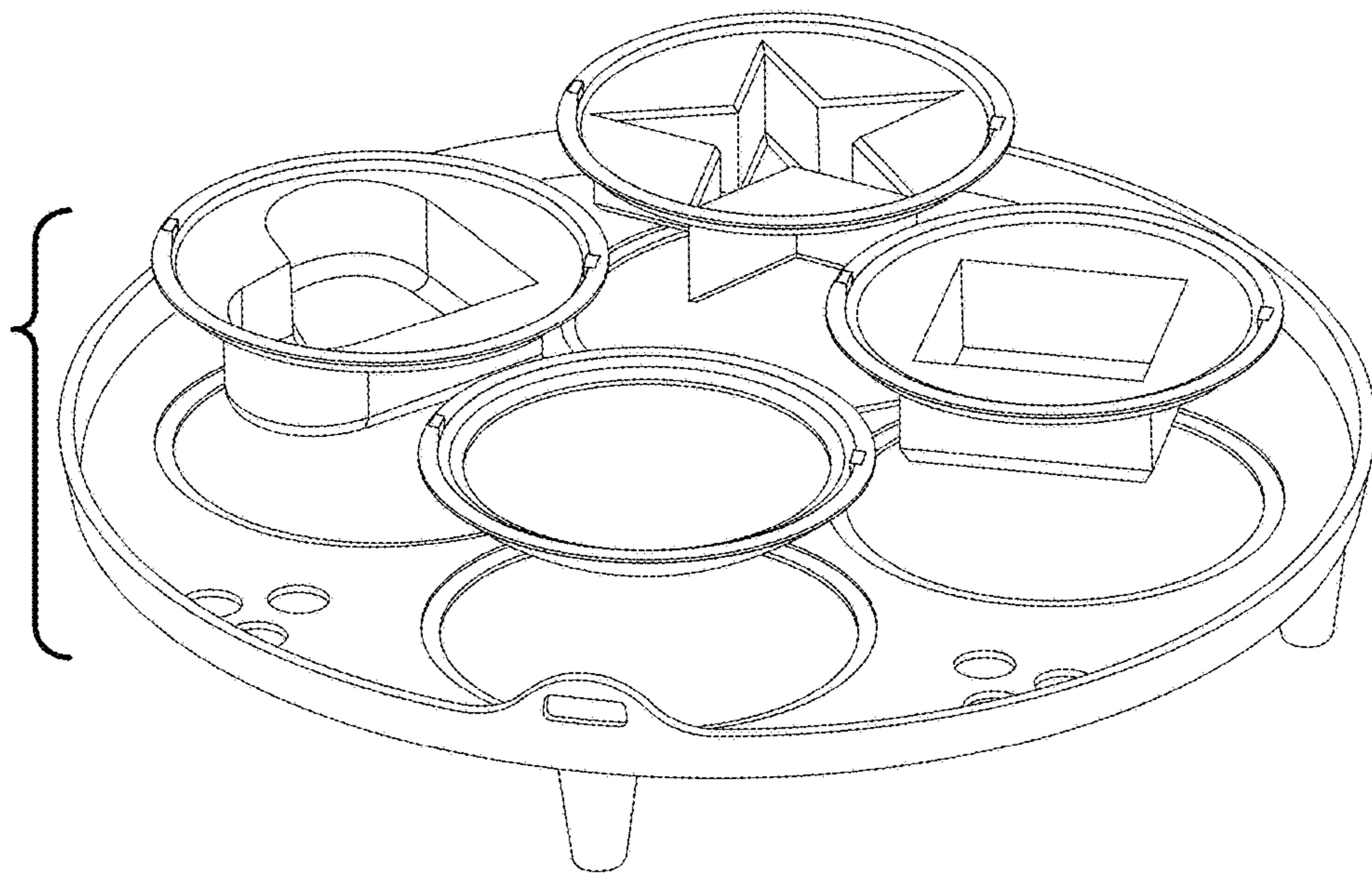


Fig. 1

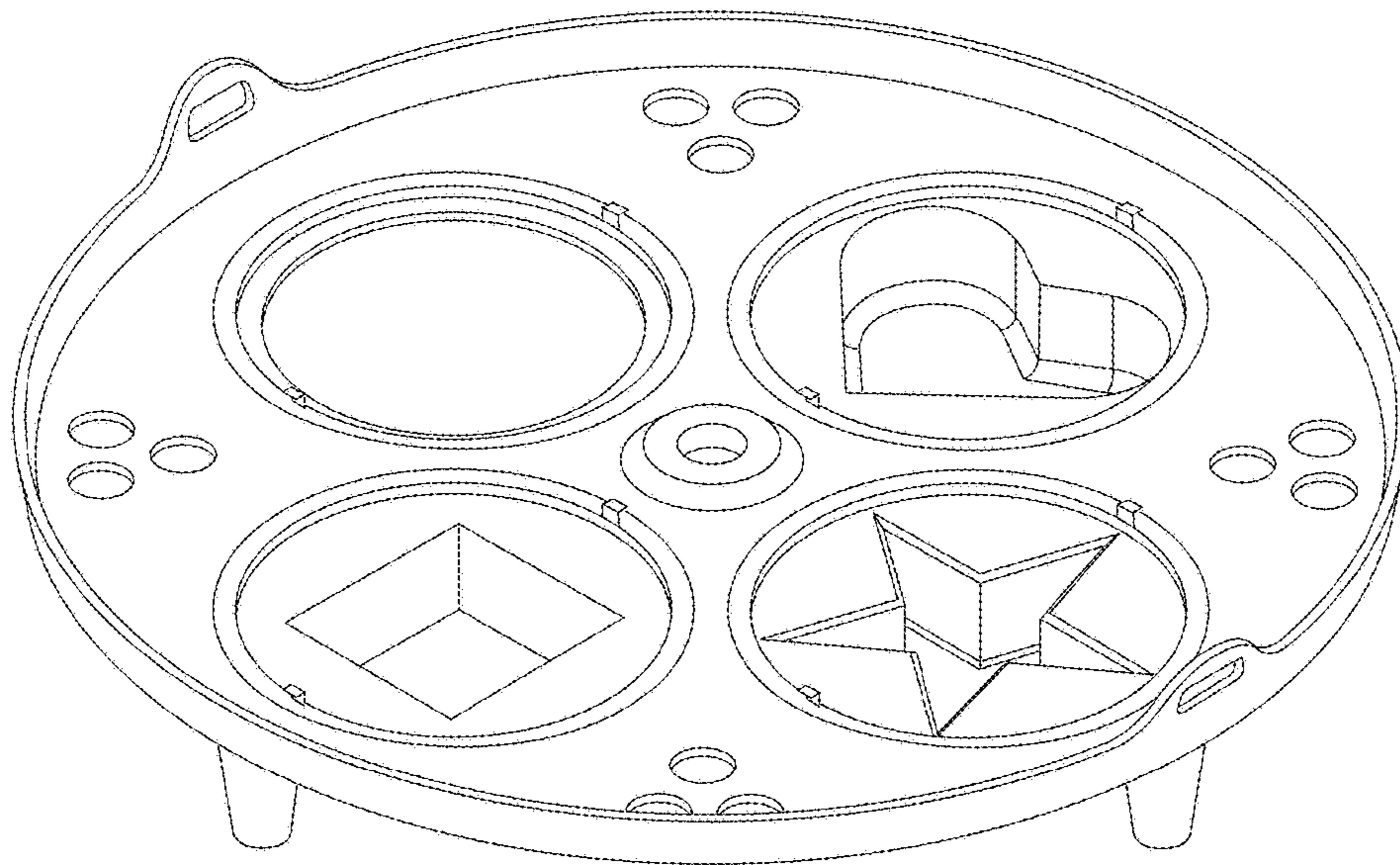


Fig. 2

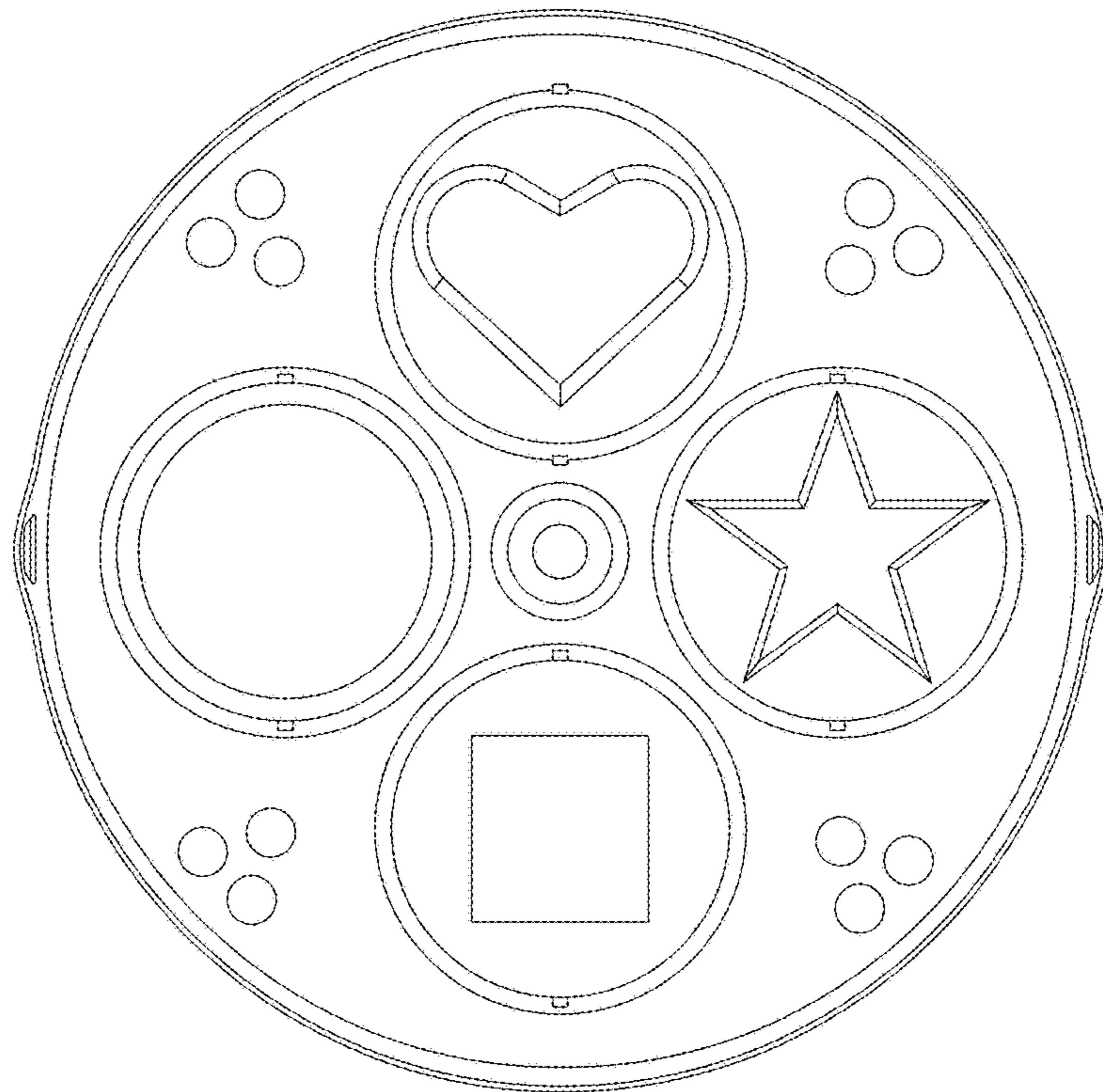


Fig. 3

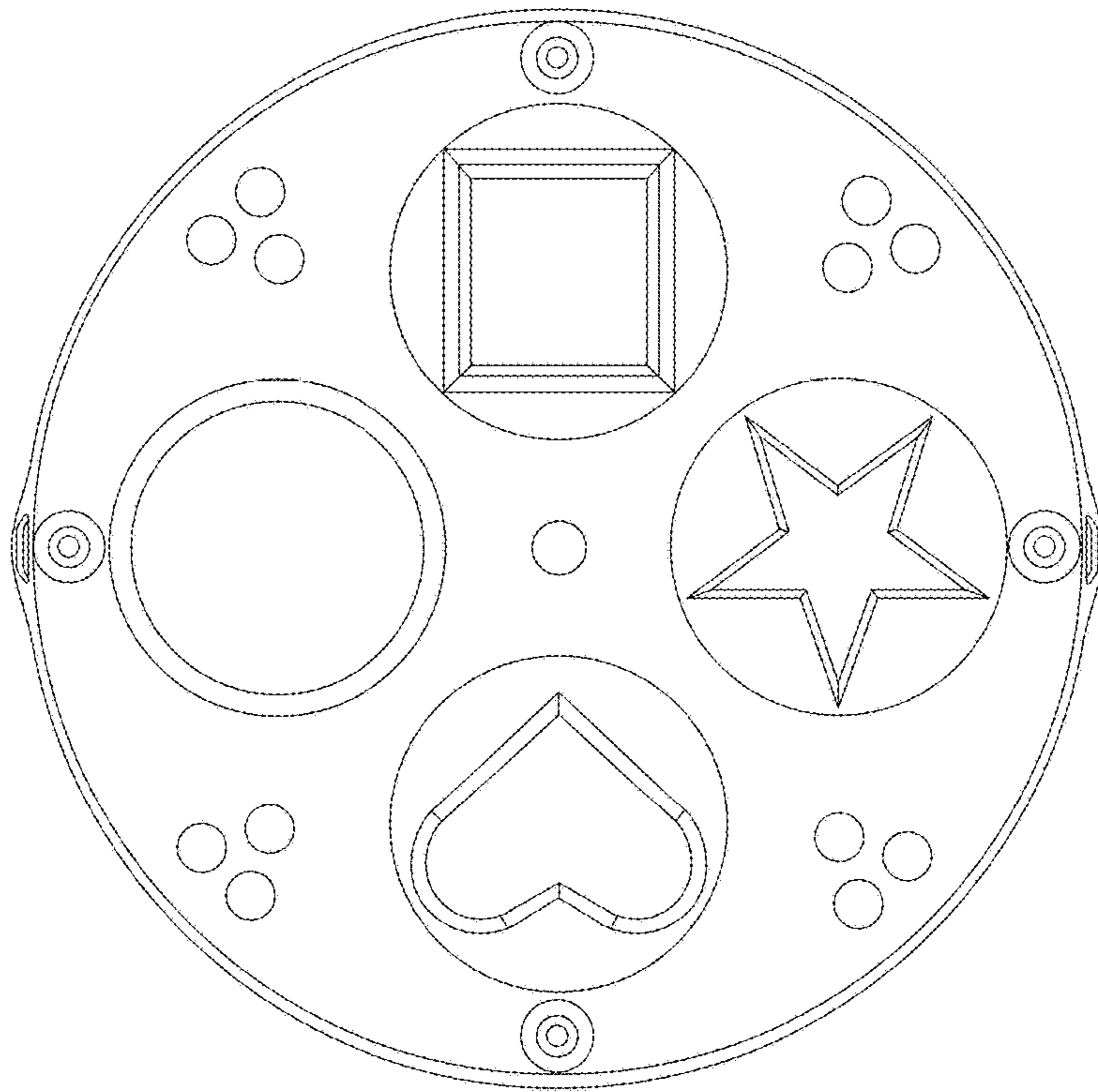


Fig. 4

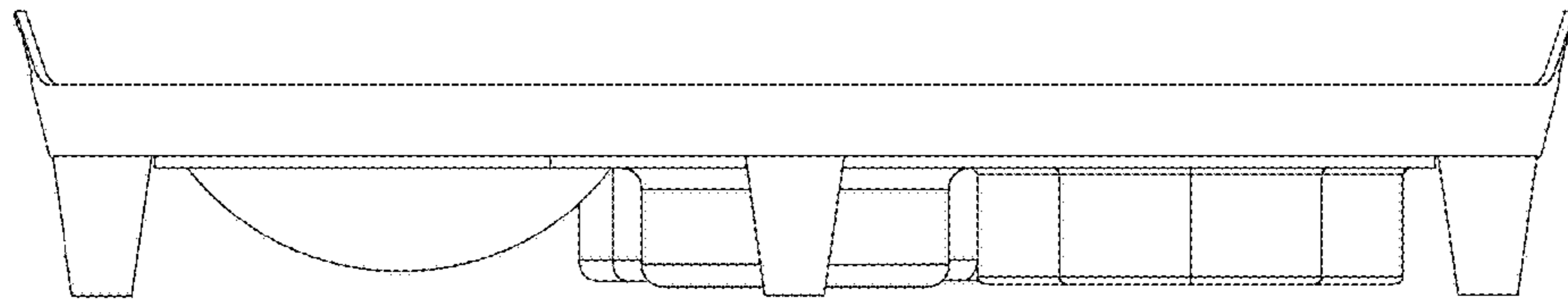


Fig. 5

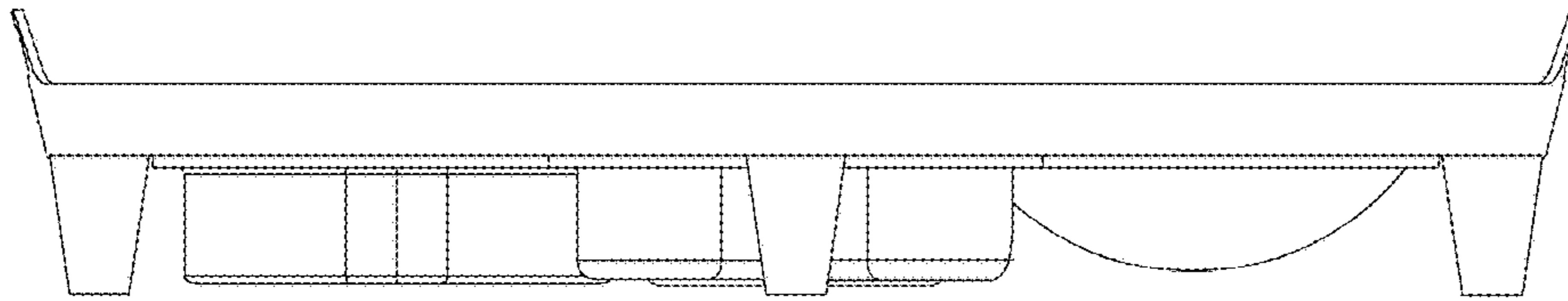


Fig. 6

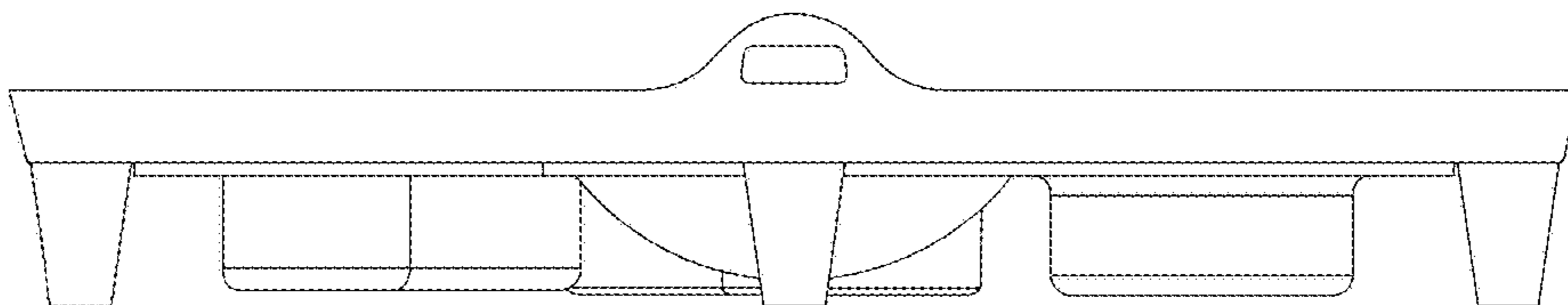


Fig. 7

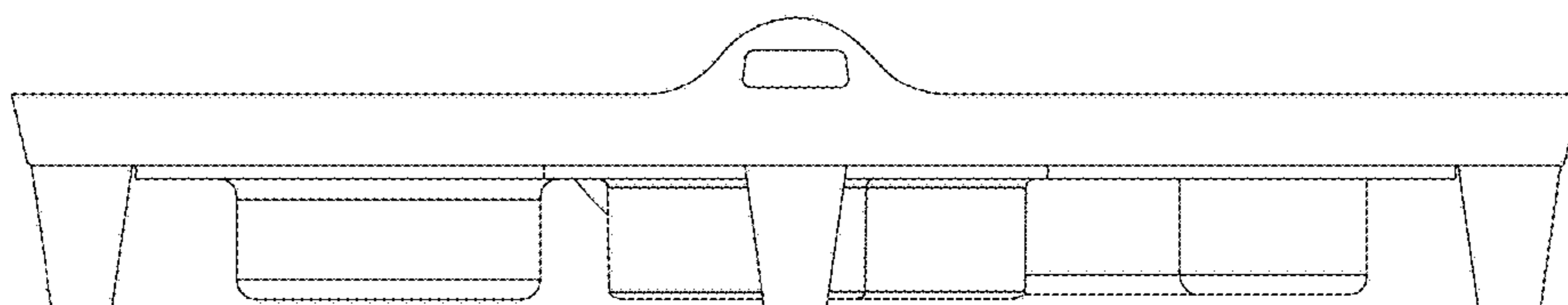


Fig. 8