



US00D856059S

(12) **United States Design Patent**
Thomkins

(10) **Patent No.:** **US D856,059 S**

(45) **Date of Patent:** **** Aug. 13, 2019**

(54) **BARBECUE TOOLSET**

DESCRIPTION

(71) Applicant: **Foshan Shunde Higold Hardware Product Manufacturing Co., Ltd.**,
Foshan, Guangdong (CN)

(72) Inventor: **Nicolas Thomkins**, Guangdong (CN)

(73) Assignee: **Foshan Shunde Higold Hardware Product Manufacturing Co., Ltd.**,
Foshan (CN)

(**) Term: **15 Years**

(21) Appl. No.: **29/618,389**

(22) Filed: **Sep. 21, 2017**

(30) **Foreign Application Priority Data**

Mar. 21, 2017 (CN) 2017 3 0084510
Mar. 21, 2017 (CN) 2017 3 0084741
Mar. 21, 2017 (CN) 2017 3 0084974

(51) **LOC (12) Cl.** **07-02**

(52) **U.S. Cl.**
USPC **D7/339; D7/323**

(58) **Field of Classification Search**
USPC D7/323, 332-338, 359, 402-409
(Continued)

(56) **References Cited**

U.S. PATENT DOCUMENTS

RE23,662 E * 5/1953 Larkin A47J 37/041
99/421 R
4,078,478 A * 3/1978 Geisel A47J 37/049
99/421 H

(Continued)

Primary Examiner — Ricky Pham

(57) **CLAIM**

The ornamental design for a barbecue toolset, as shown and described.

FIG. 1 is a front elevational view of the roaster of a barbecue toolset comprising a roaster, a tray and a grill showing my new design;

FIG. 2 is a rear elevational view of FIG. 1;

FIG. 3 is a left side view of FIG. 1;

FIG. 4 is a right side view of FIG. 1;

FIG. 5 is a top plan view of FIG. 1;

FIG. 6 is a bottom plan view of FIG. 1;

FIG. 7 is a first perspective view of FIG. 1;

FIG. 8 is a second perspective view of FIG. 1;

FIG. 9 is a third perspective view of FIG. 1;

FIG. 10 is a perspective view showing the roaster of the barbecue toolset in a first use state;

FIG. 11 is a perspective view showing the roaster of the barbecue toolset in a second use state;

FIG. 12 is a perspective view showing the roaster of the barbecue toolset in a third use state;

FIG. 13 is a front elevational view showing the roaster of the barbecue toolset in a folded state;

FIG. 14 is a rear elevational view of FIG. 13;

FIG. 15 is a left side view of FIG. 13;

FIG. 16 is a right side view of FIG. 13;

FIG. 17 is a top plan view of FIG. 13;

FIG. 18 is a bottom plan view of FIG. 13;

FIG. 19 is a first perspective view of FIG. 13;

FIG. 20 is a second perspective view of FIG. 13;

FIG. 21 is a third perspective view of FIG. 13;

FIG. 22 is a perspective view showing the roaster and the tray of the barbecue toolset in a folded state;

FIG. 23 is a front elevational view of the tray of the barbecue toolset;

FIG. 24 is a rear elevational view of FIG. 23;

FIG. 25 is a left side view of FIG. 23;

FIG. 26 is a top plan view of FIG. 23;

FIG. 27 is a first perspective view of FIG. 23;

FIG. 28 is a second perspective view of FIG. 23;

FIG. 29 is a perspective view showing the roaster and the tray of the barbecue toolset in a use state;

FIG. 30 is a front elevational view showing the grill of the barbecue toolset in an unlocked and foldable state;

FIG. 31 is a rear elevational view of FIG. 30;

(Continued)

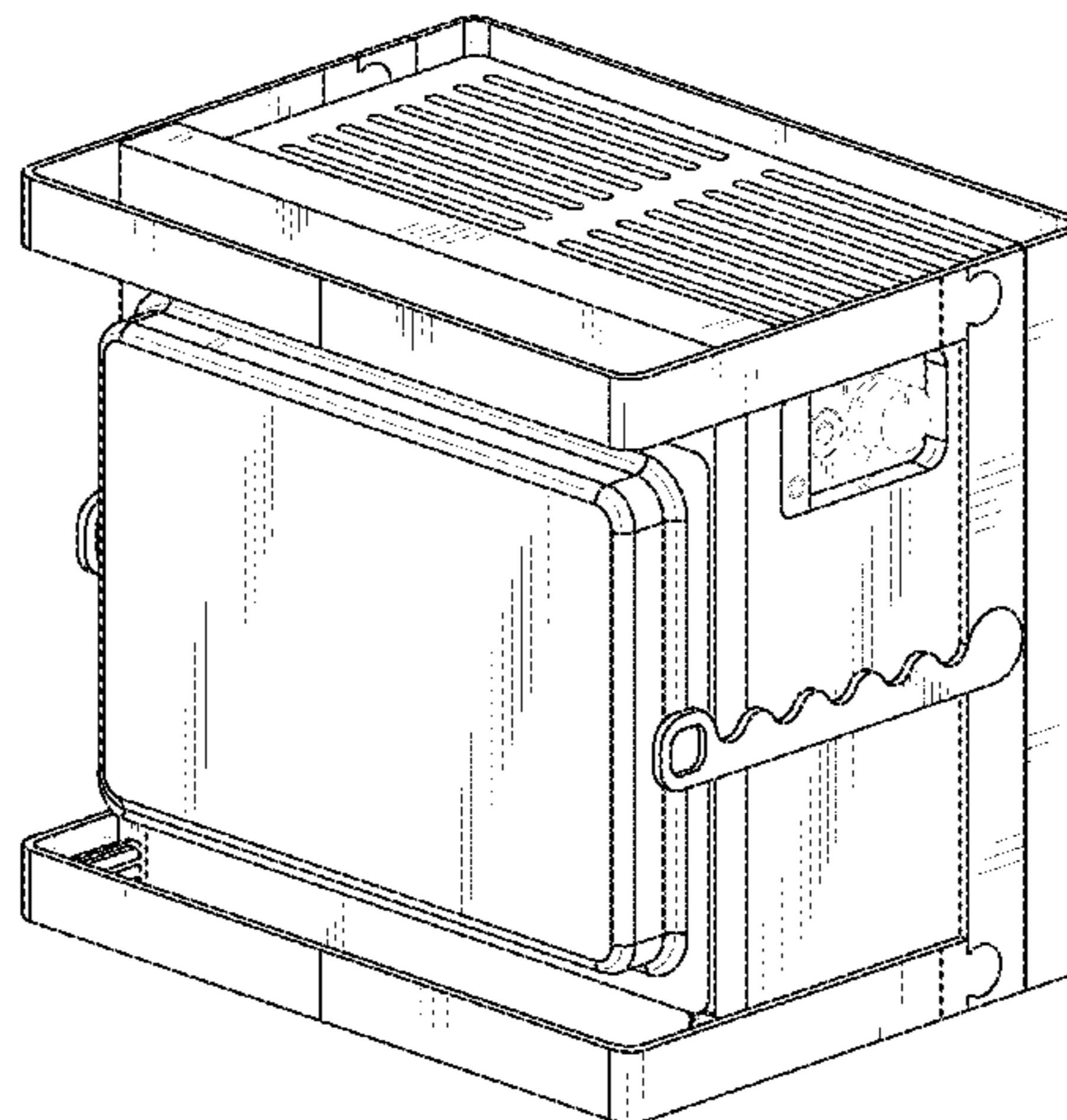
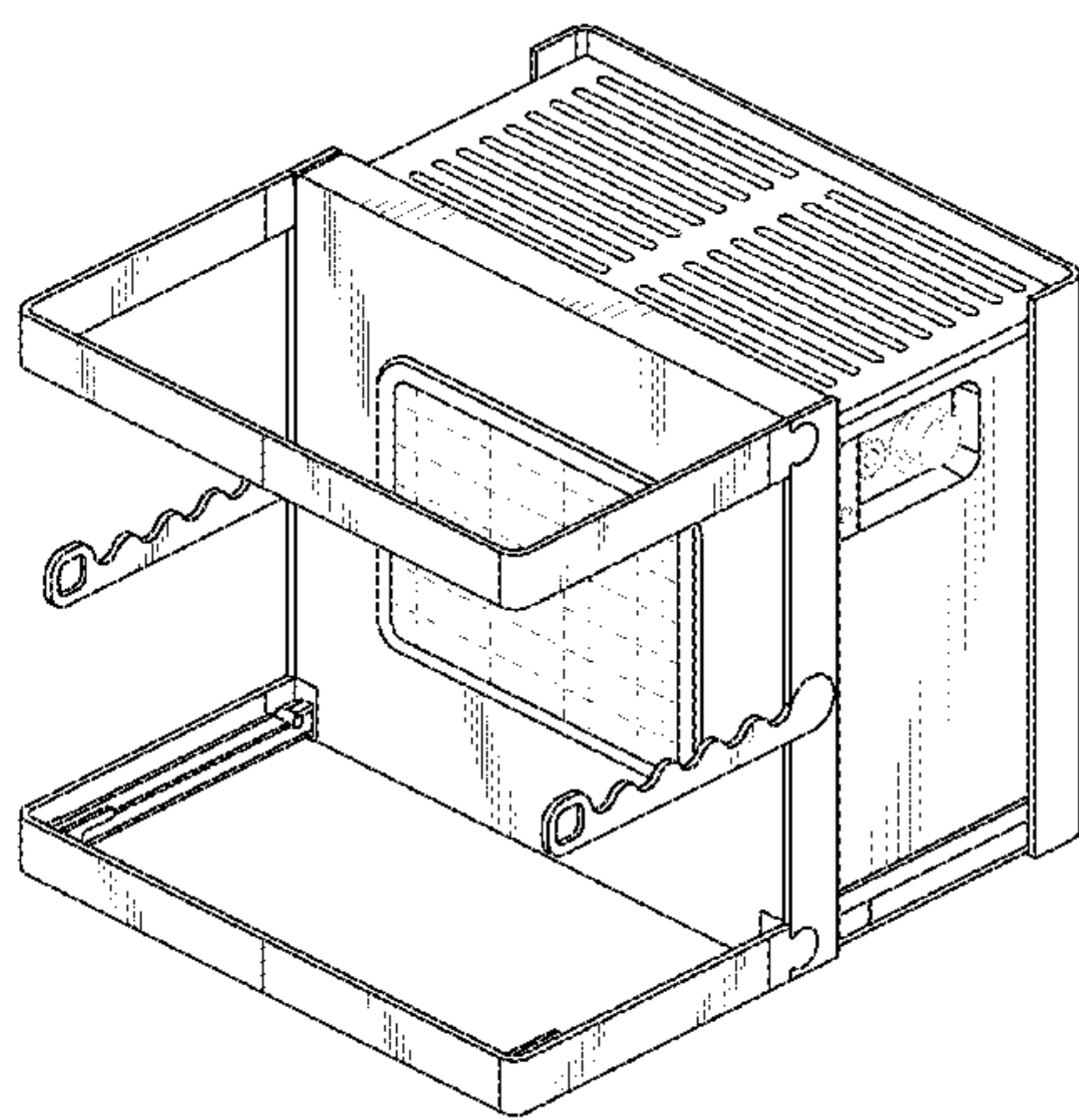


FIG. 32 is a top plan view of FIG. 30;
 FIG. 33 is a bottom plan view of FIG. 30;
 FIG. 34 is a left side view of FIG. 30;
 FIG. 35 is a right side view of FIG. 30;
 FIG. 36 is a perspective view of FIG. 30;
 FIG. 37 is a front elevational view showing the grill of the barbecue toolset in a locked state;
 FIG. 38 is a rear elevational view of FIG. 37;
 FIG. 39 is a top plan view of FIG. 37;
 FIG. 40 is a bottom plan view of FIG. 37;
 FIG. 41 is a right side view of FIG. 37;
 FIG. 42 is a left side view of FIG. 37;
 FIG. 43 is a perspective view of FIG. 37;
 FIG. 44 is a perspective view showing the tray and the grill of the barbecue toolset in a use state;
 FIG. 45 is a perspective view showing the roaster and the grill of the barbecue toolset in a first use state;
 FIG. 46 is a perspective view showing the roaster and the grill of the barbecue toolset in a second use state; and,
 FIG. 47 is a perspective view showing the roaster and the grill of the barbecue toolset in a third use state.
 The broken lines in the drawings illustrate portions of the barbecue toolset which form no part of the claimed design. The broken lines in FIGS. 10-12, 29 and 45-47 depict environment and are for illustrative purposes only and form no part of the claimed design.

1 Claim, 37 Drawing Sheets

(58) **Field of Classification Search**

CPC A22C 15/007; A47J 27/62; A47J 37/00;
 A47J 37/041; A47J 37/042; A47J 37/043;
 A47J 37/049; A47J 37/07; A47J 37/079;
 A47J 37/0704; A47J 37/0718; A47J
 2037/0777; A23B 4/052

See application file for complete search history.

(56) **References Cited**

U.S. PATENT DOCUMENTS

D252,128	S *	6/1979	Olson	99/419
D260,221	S *	8/1981	Lee	99/419
D292,863	S *	11/1987	Johansson	D7/338
4,968,515	A *	11/1990	Burkett	A47J 27/62 219/492
5,044,262	A *	9/1991	Burkett	A47J 27/62 219/492
5,720,217	A *	2/1998	Pappas	A47J 37/041 426/523
5,996,820	A *	12/1999	Broadnax	A22C 15/007 211/125
6,047,633	A *	4/2000	Khaytman	A47J 37/043 99/419
6,182,560	B1 *	2/2001	Andress	A47J 37/0718 126/25 R
10,051,995	B2 *	8/2018	Buckley	A47J 37/042

* cited by examiner

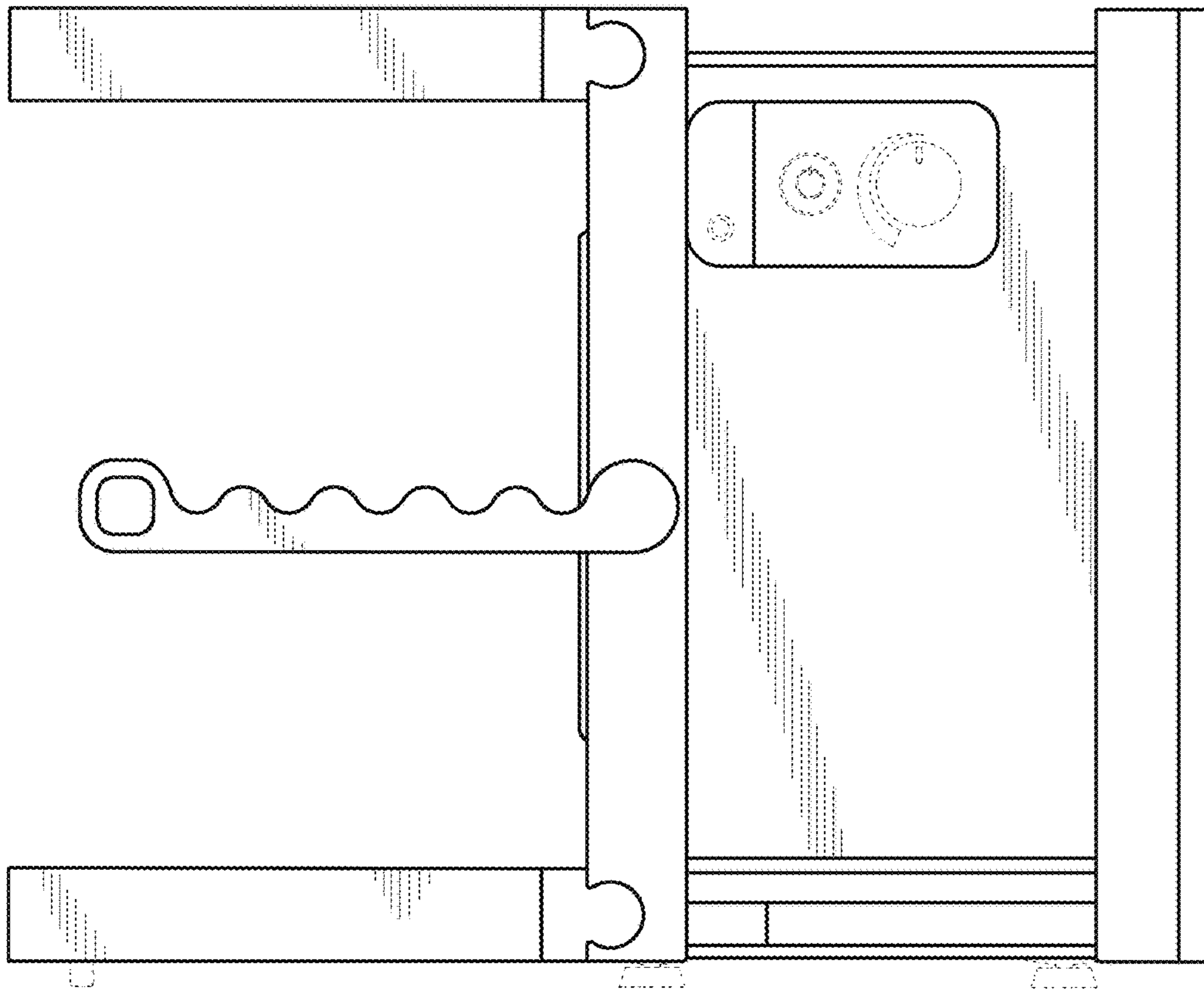


Fig. 1

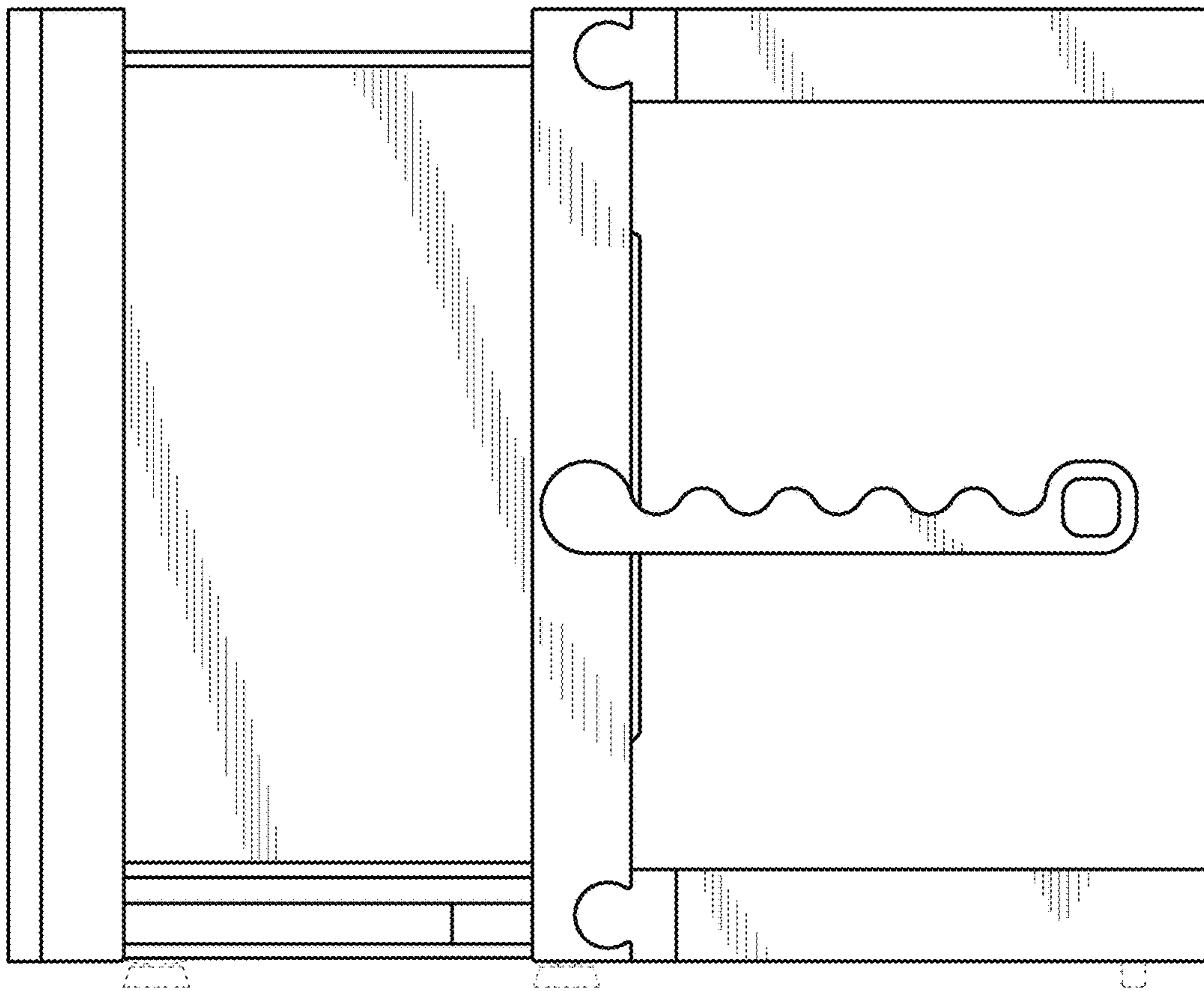


Fig. 2

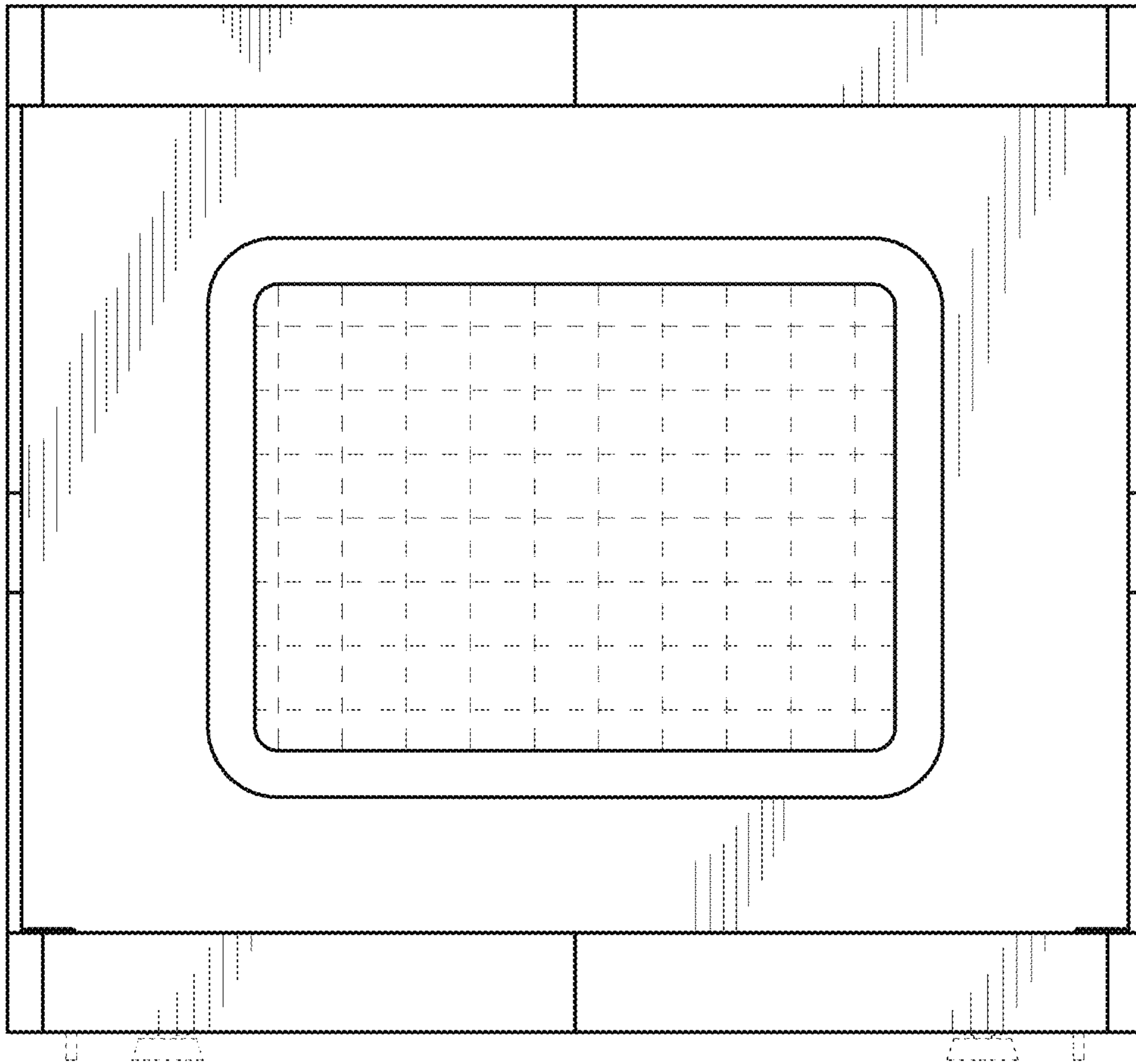


Fig. 3

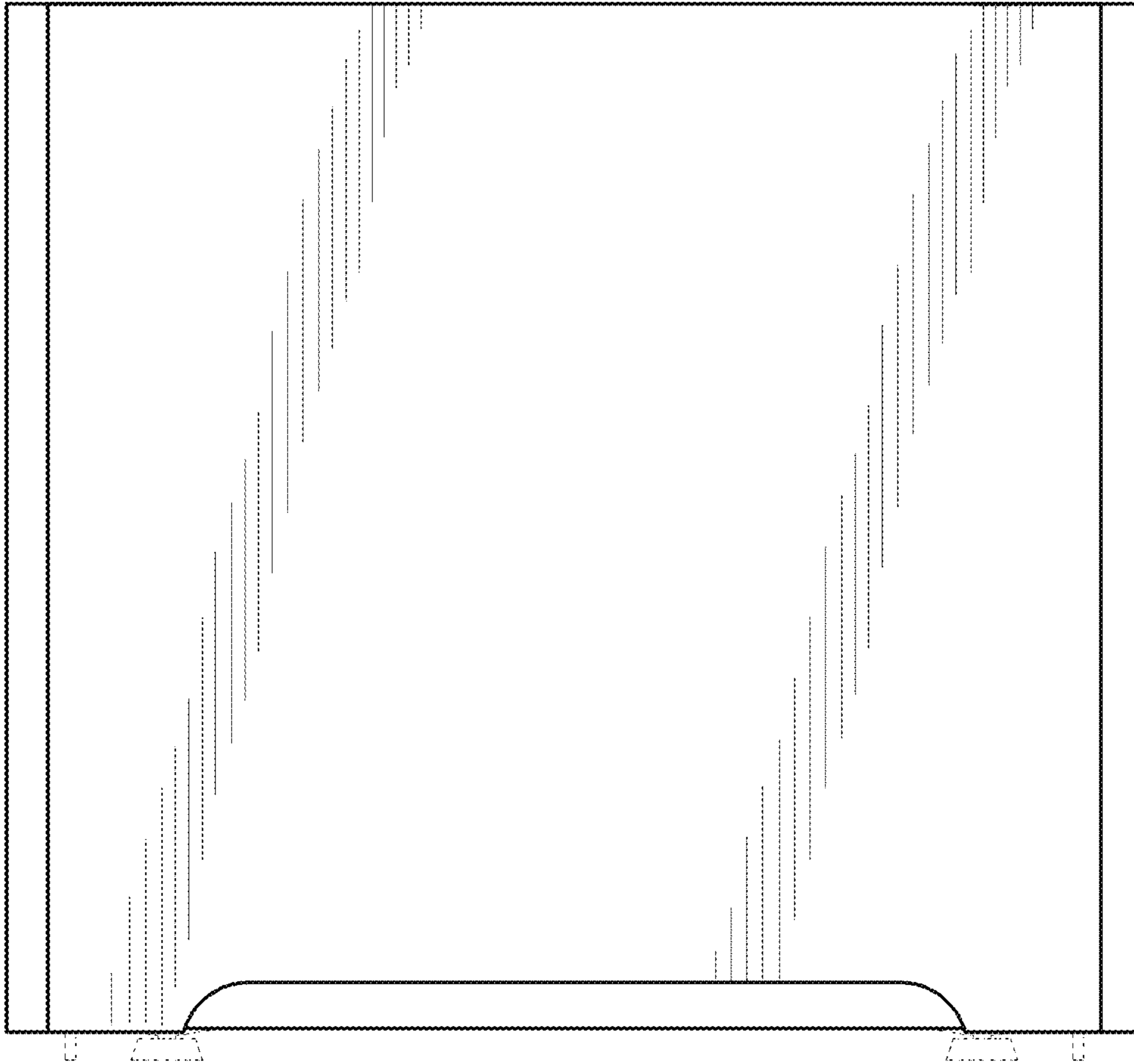


Fig. 4

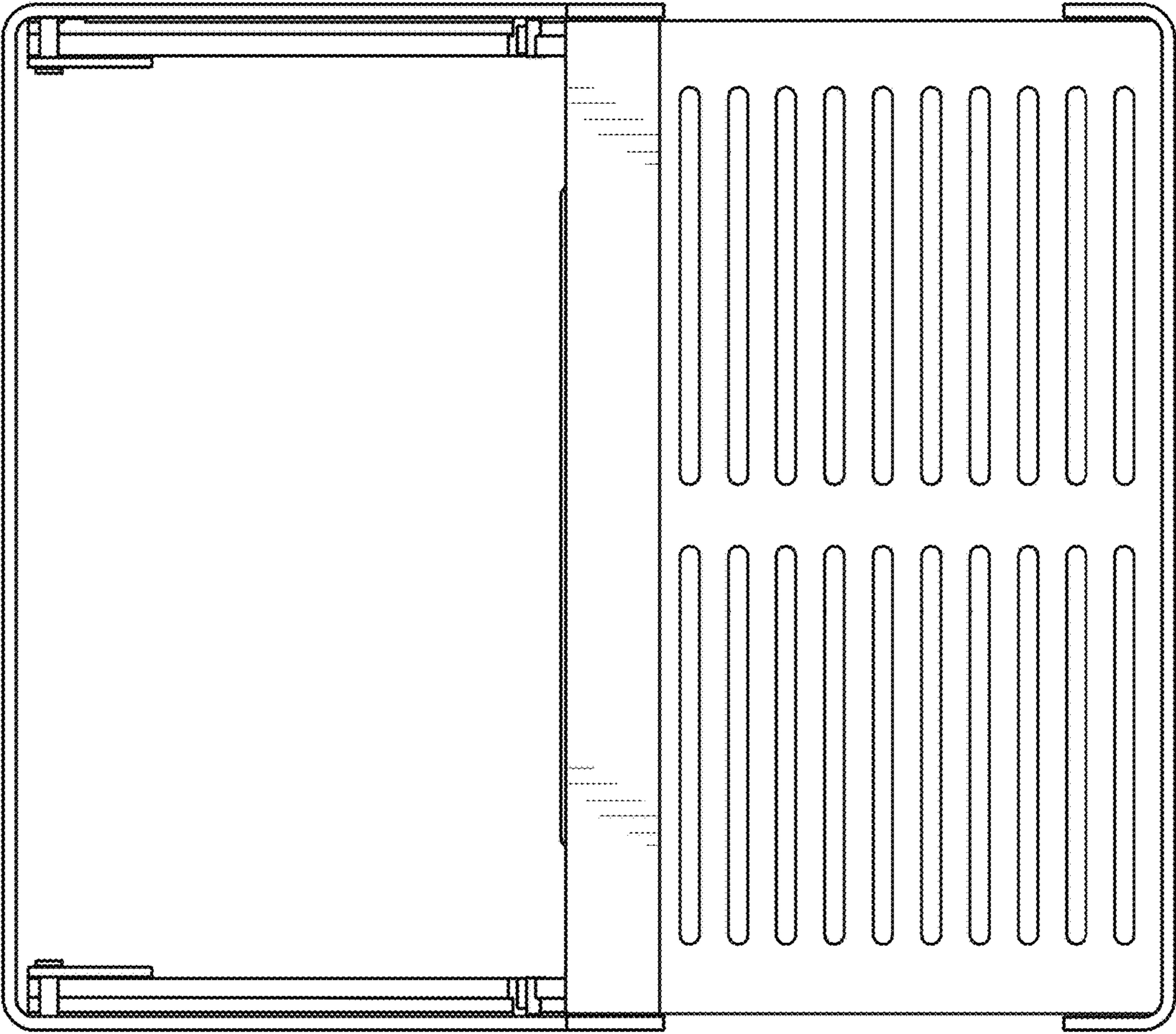


Fig. 5

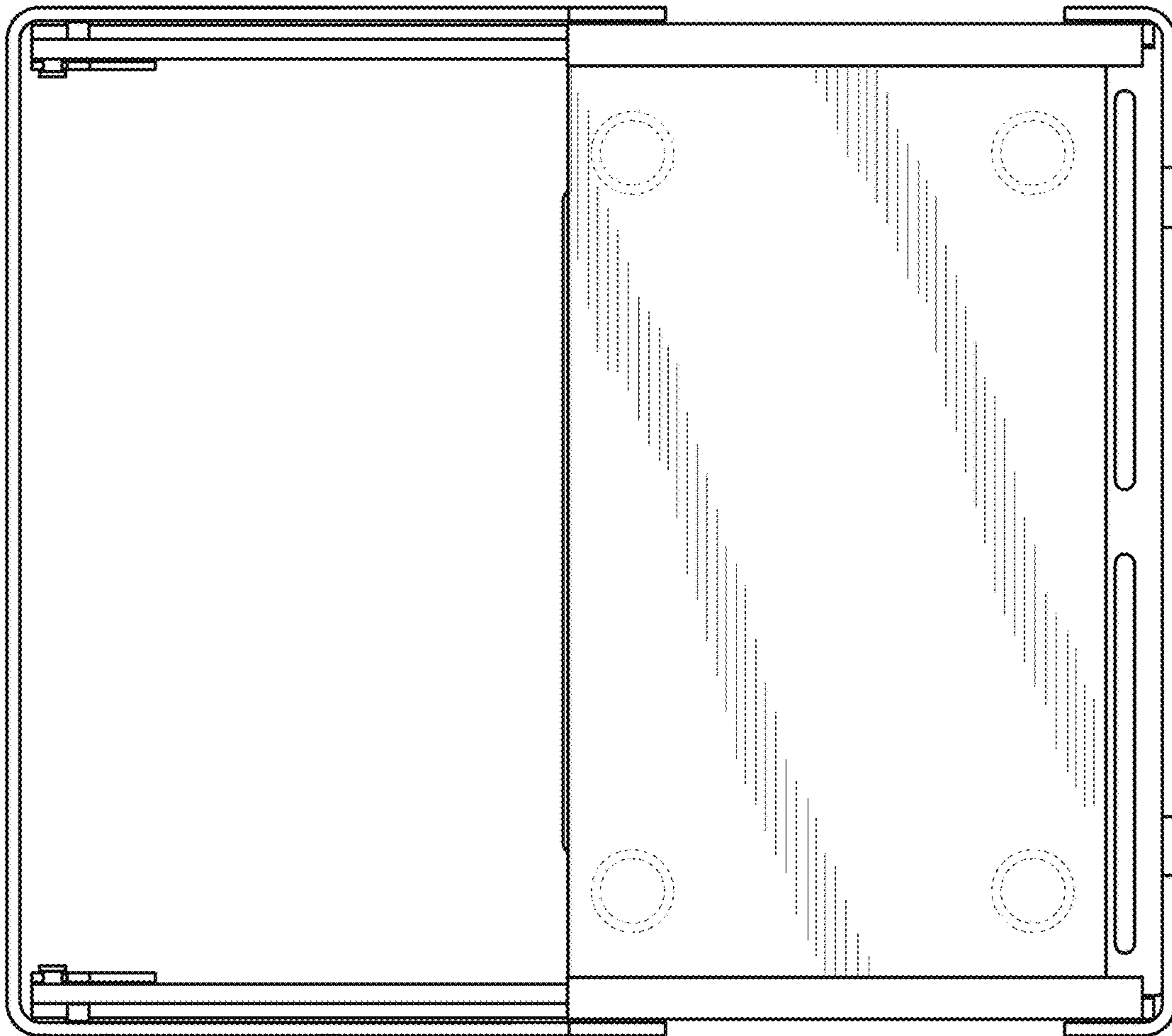


Fig. 6

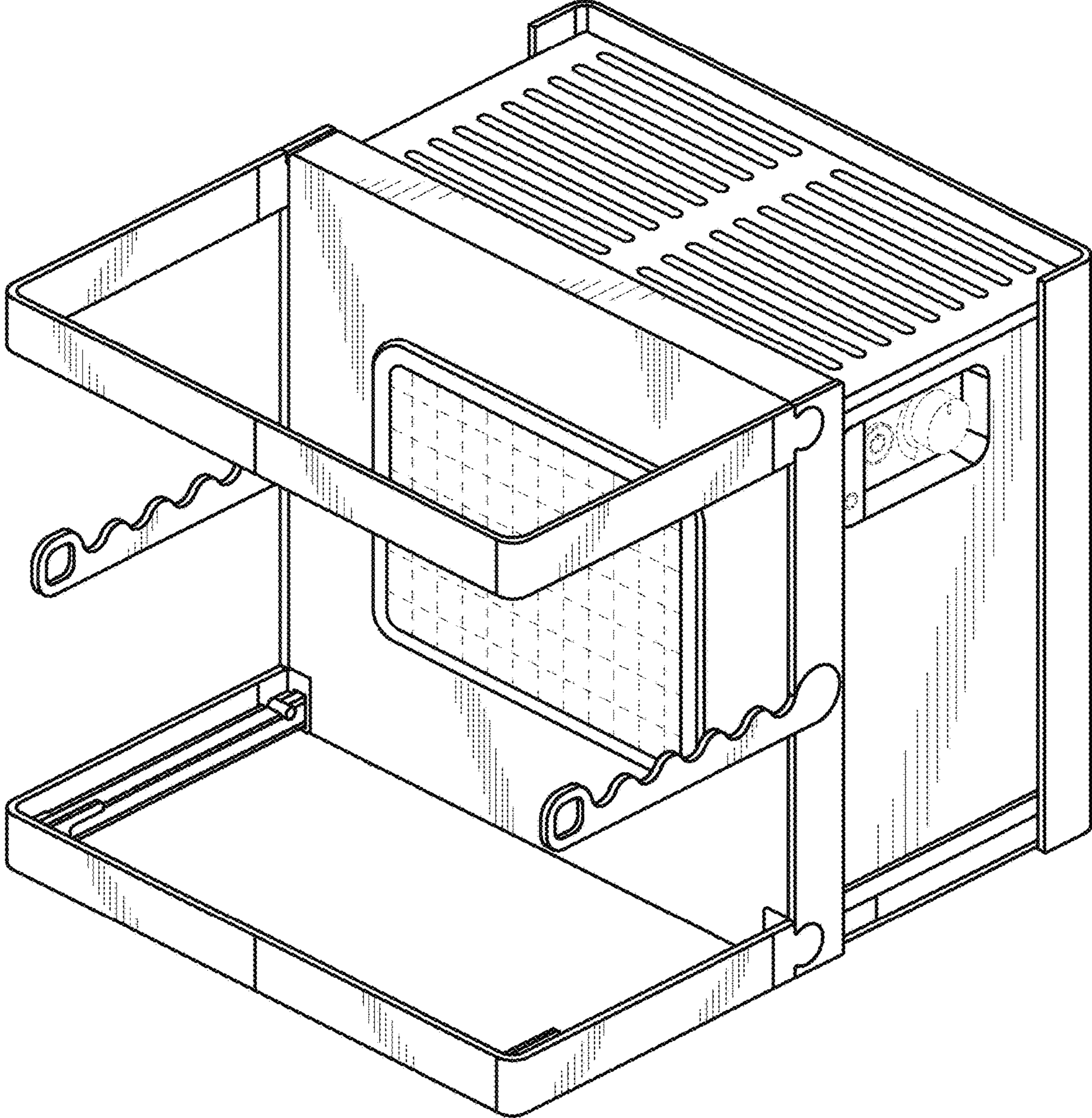


Fig. 7

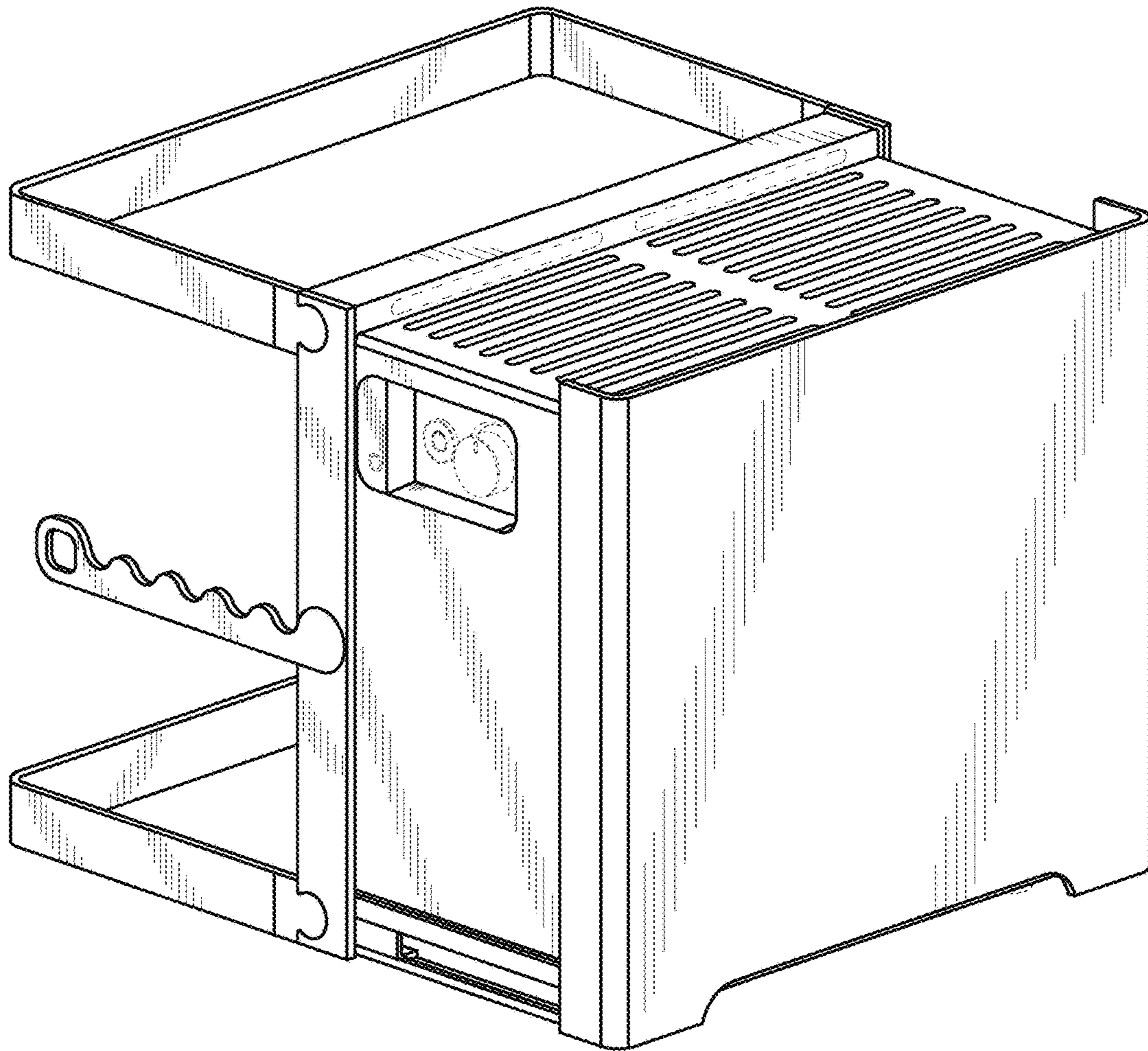


Fig. 8

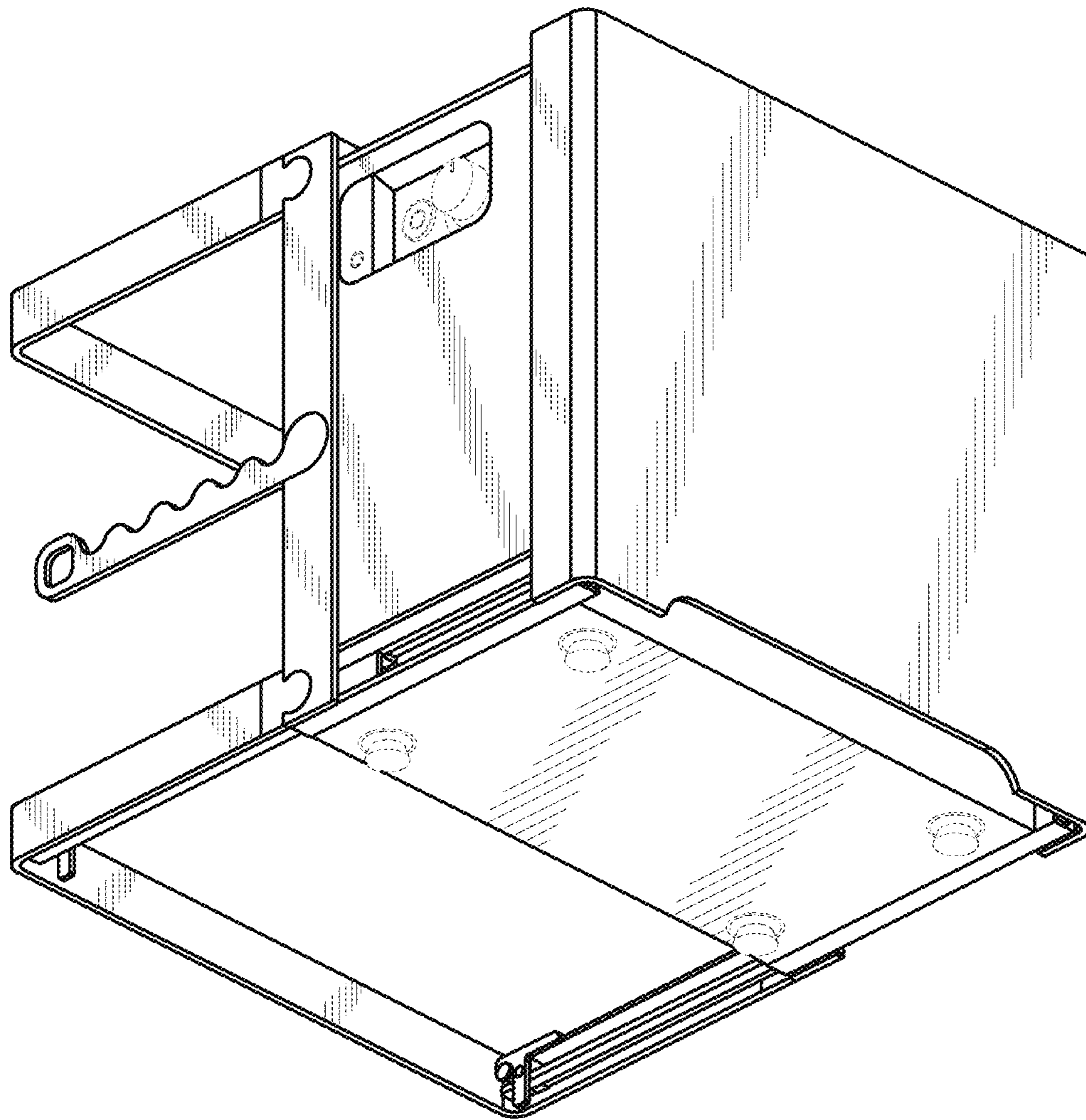


Fig. 9

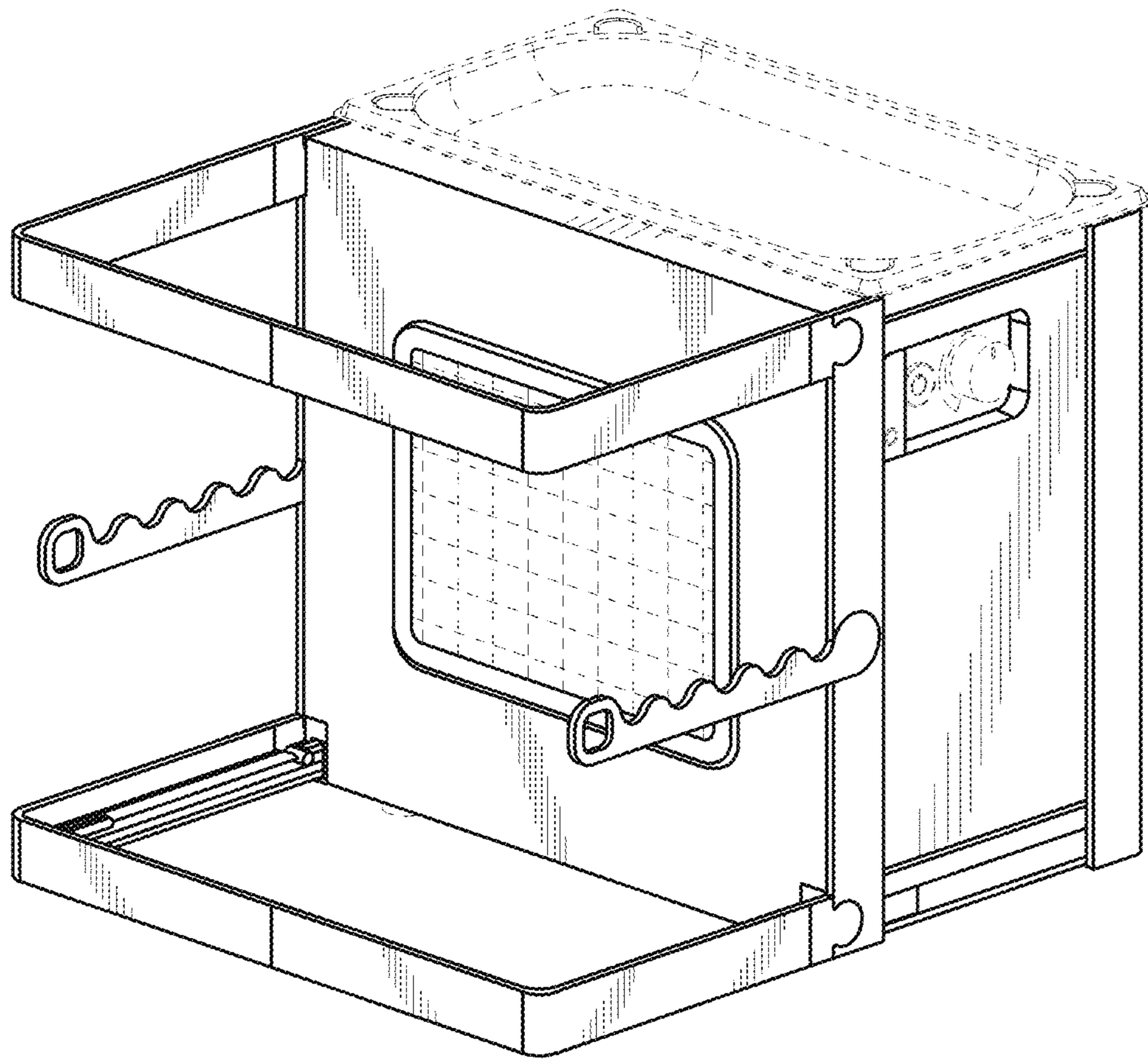


Fig. 10

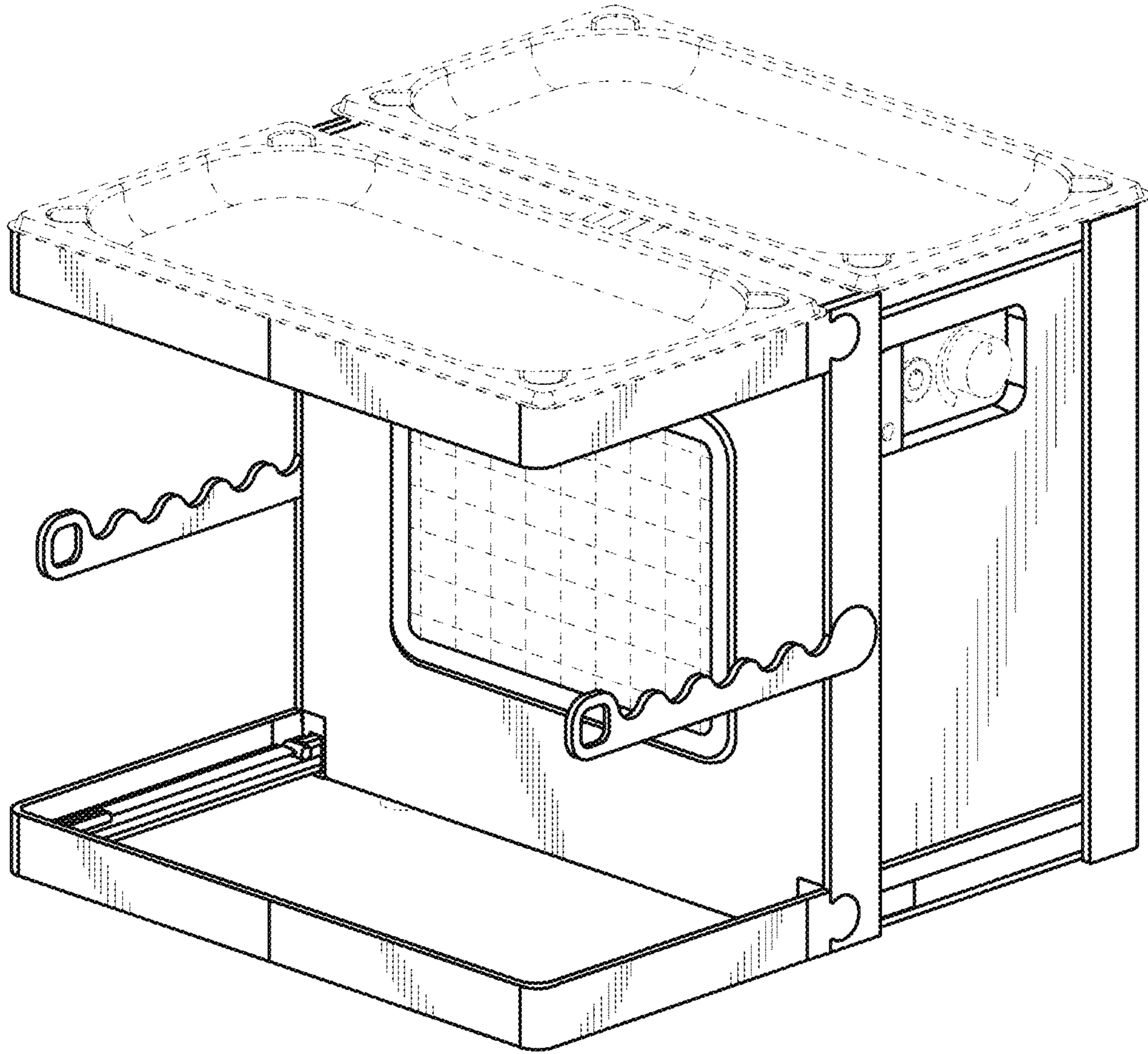


Fig. 11

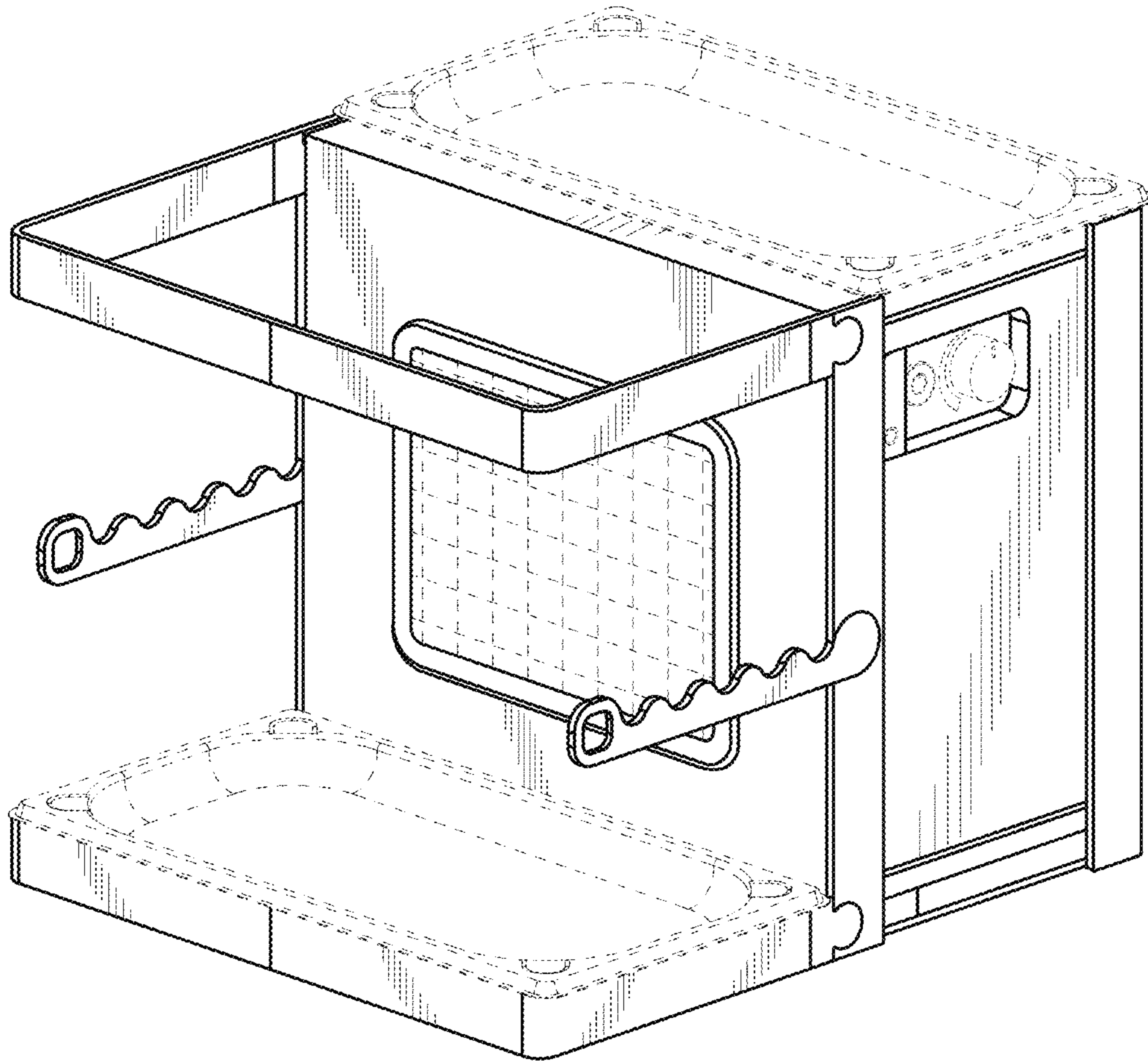


Fig. 12

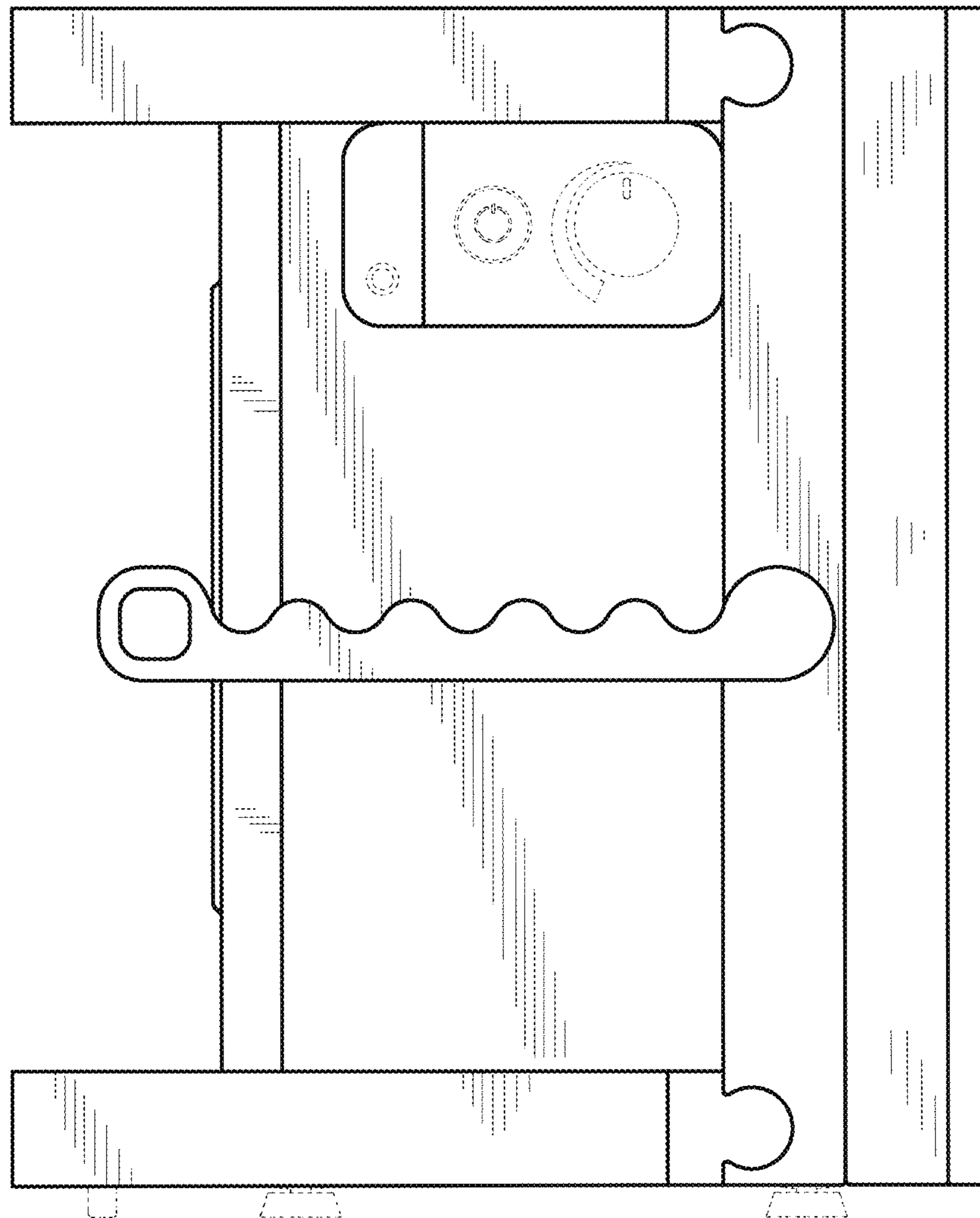


Fig. 13

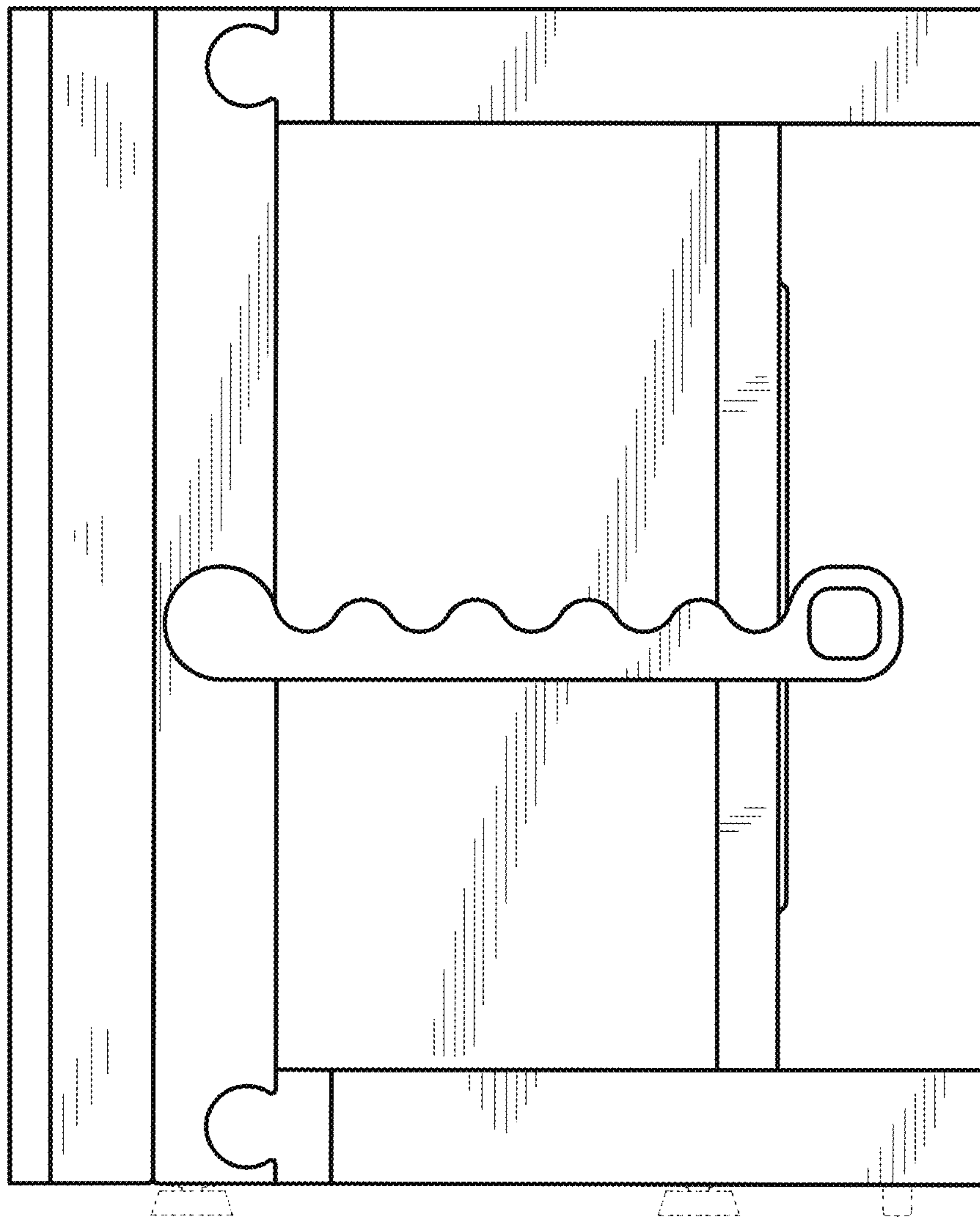


Fig. 14

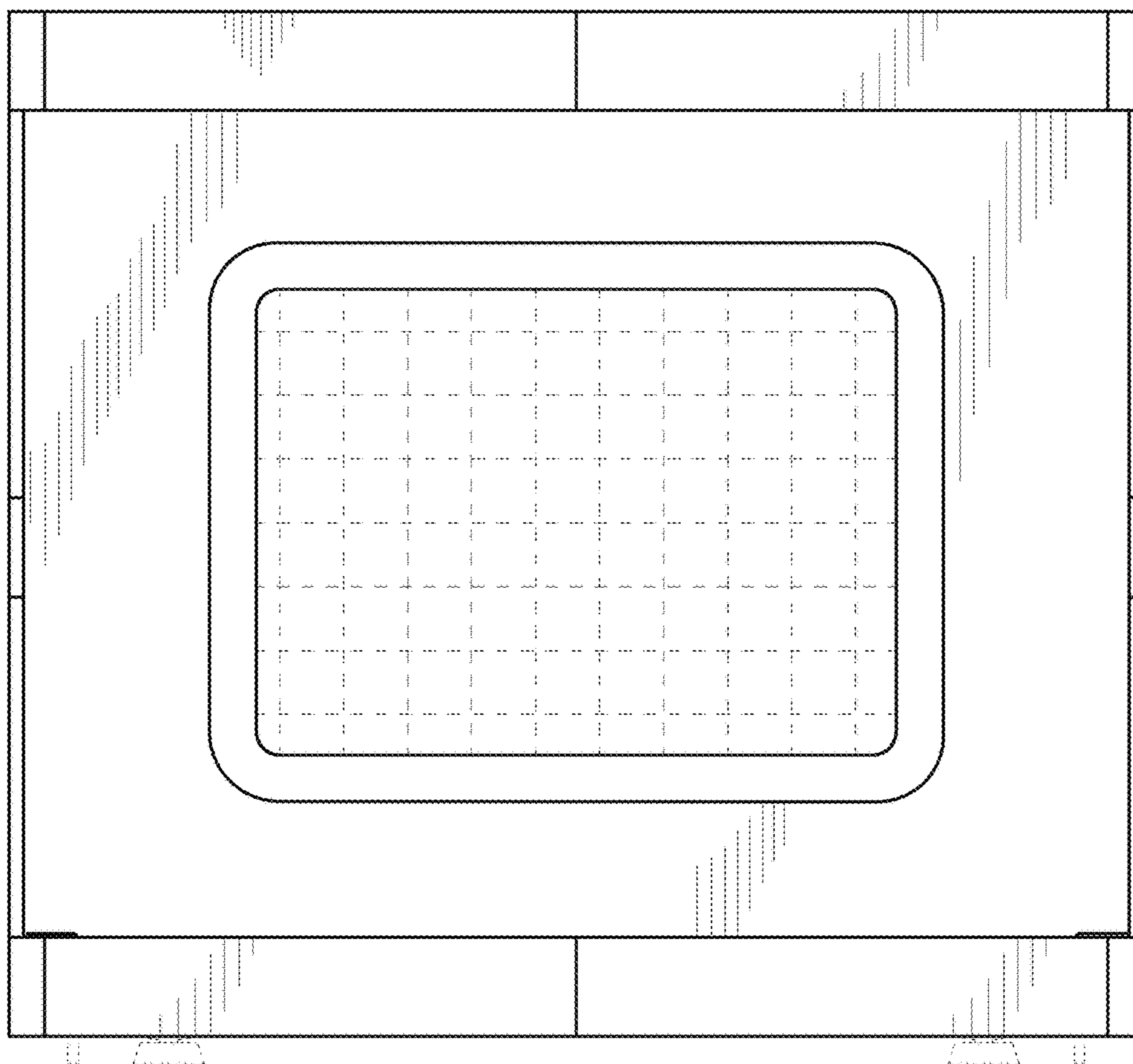


Fig. 15

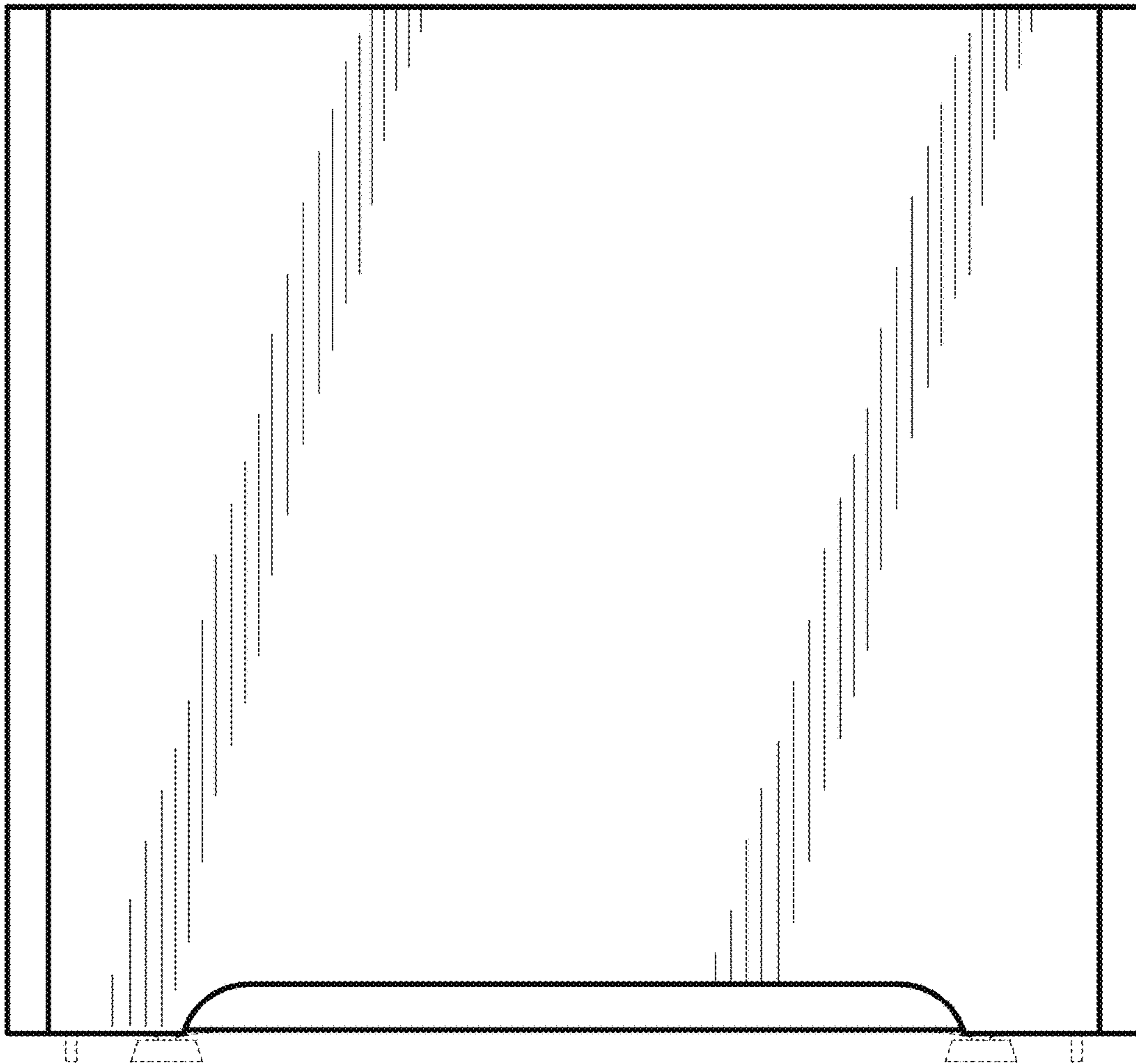


Fig. 16

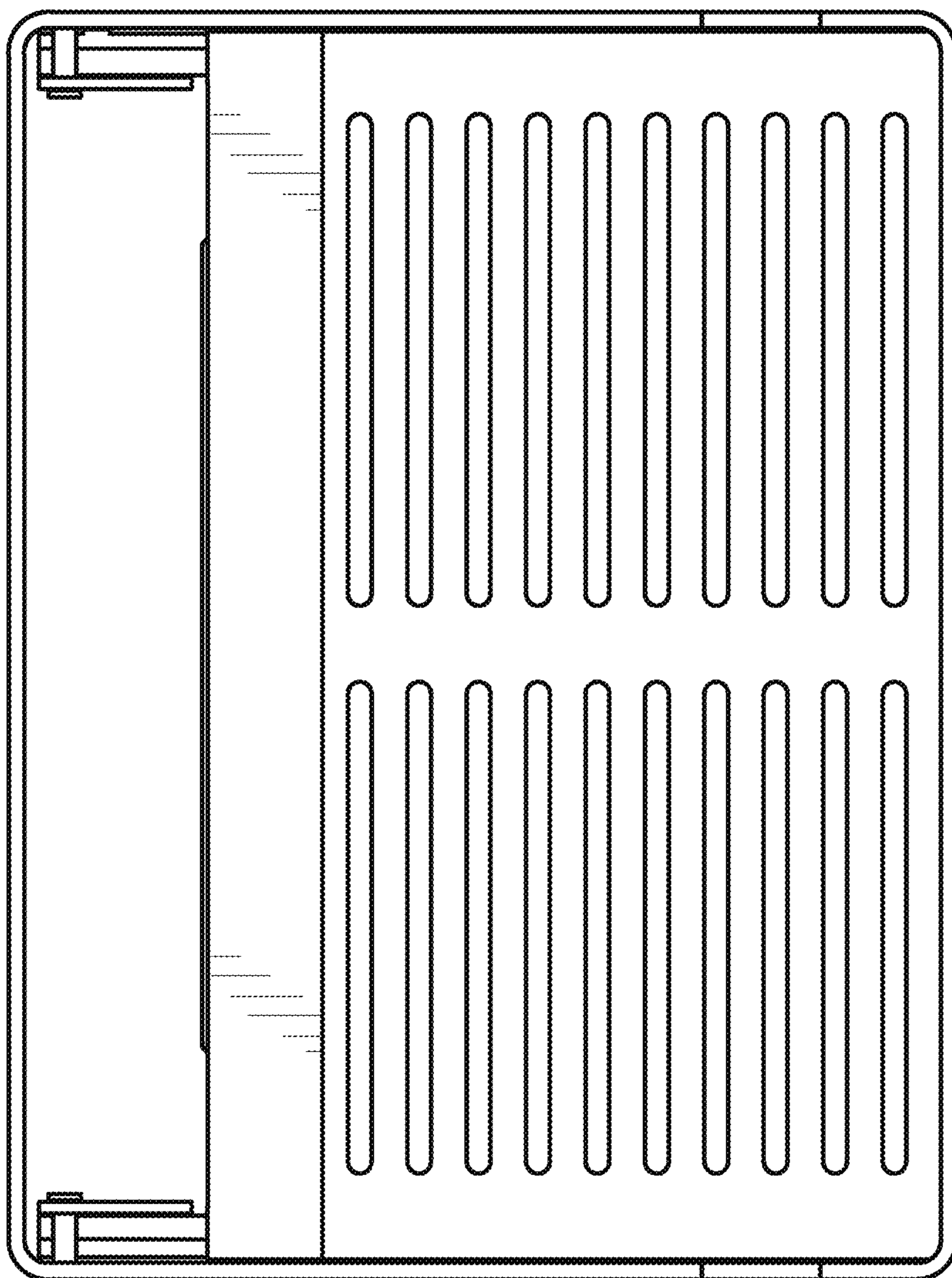


Fig. 17

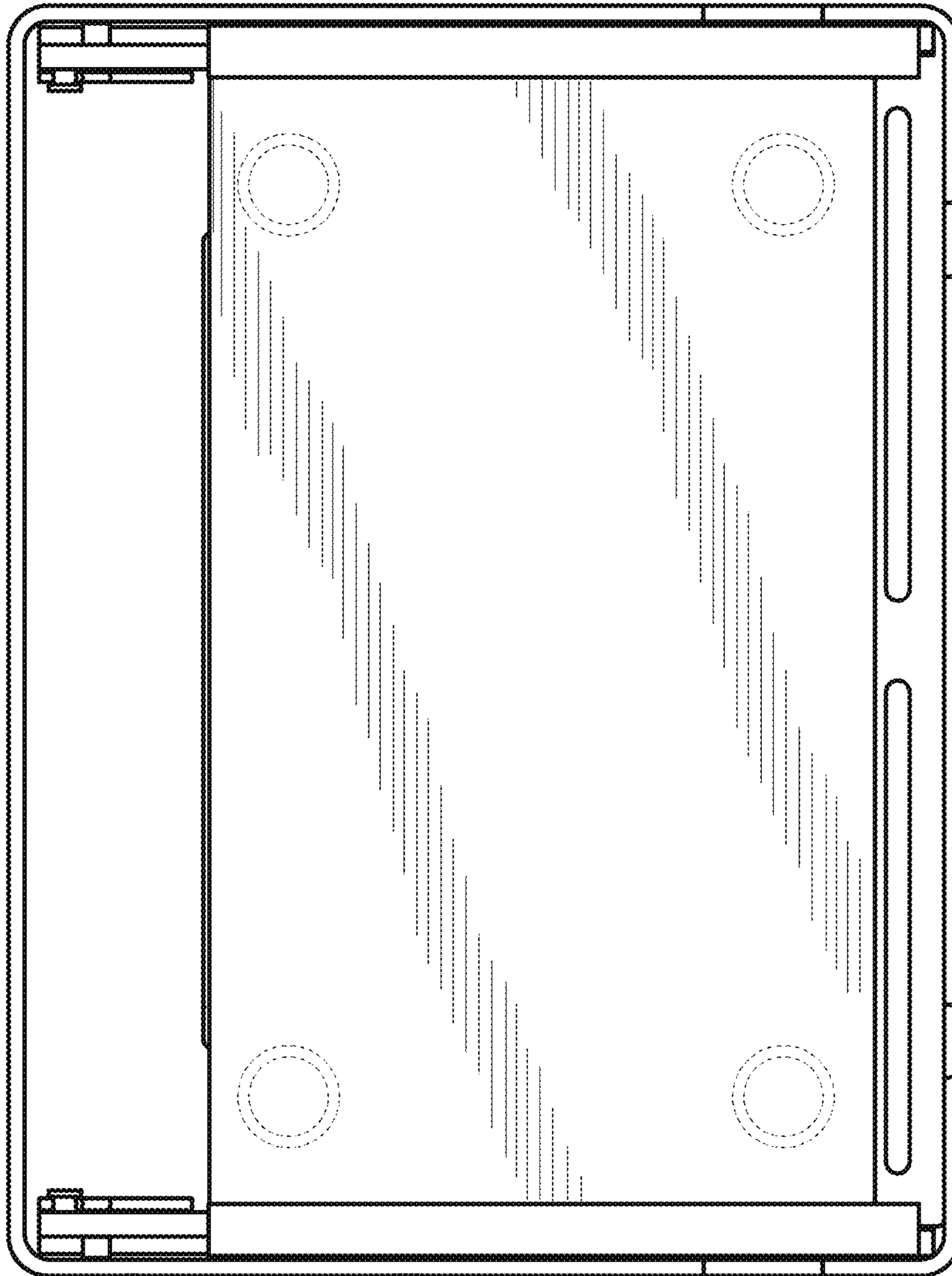


Fig. 18

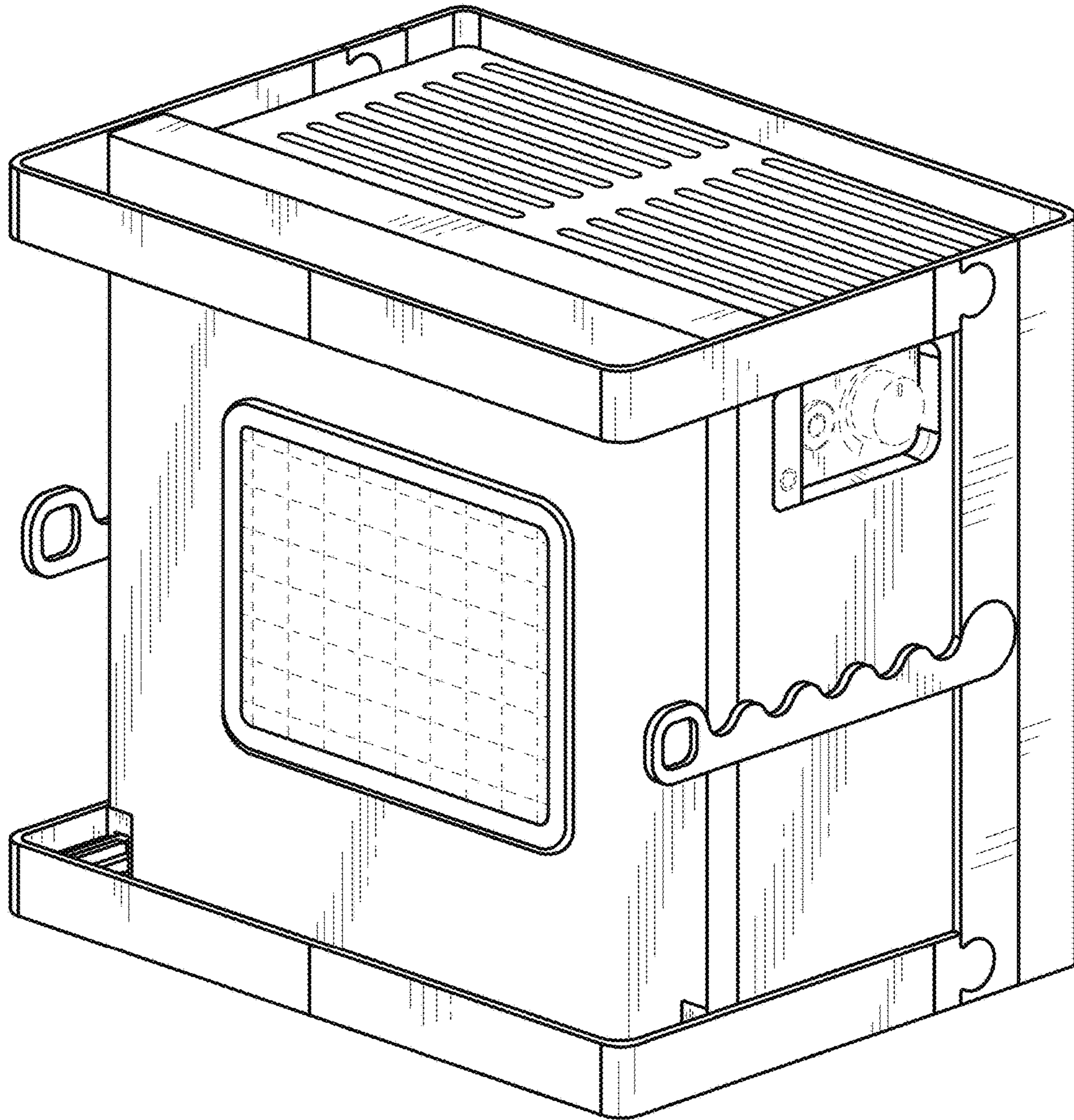


Fig. 19

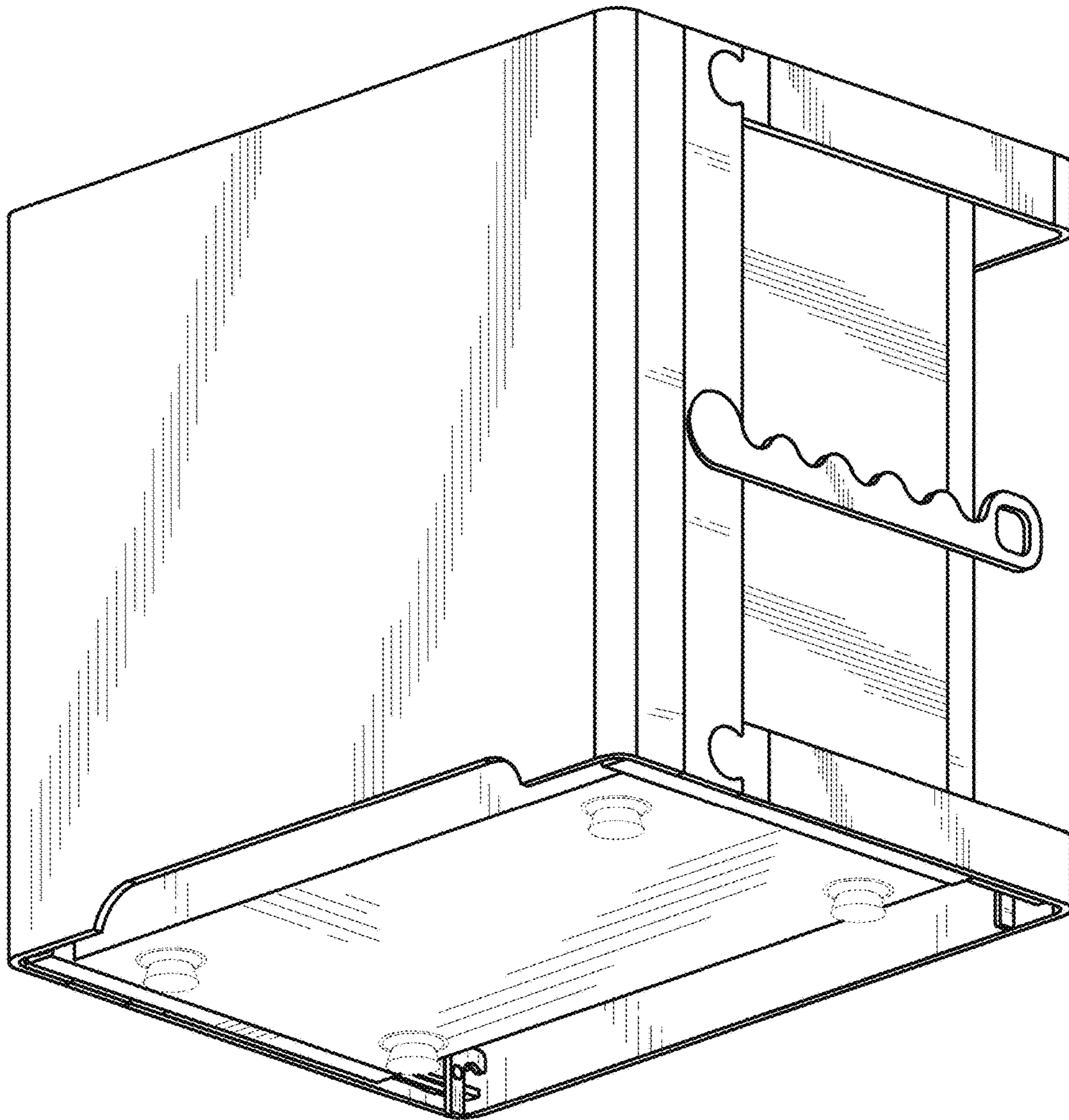


Fig. 20

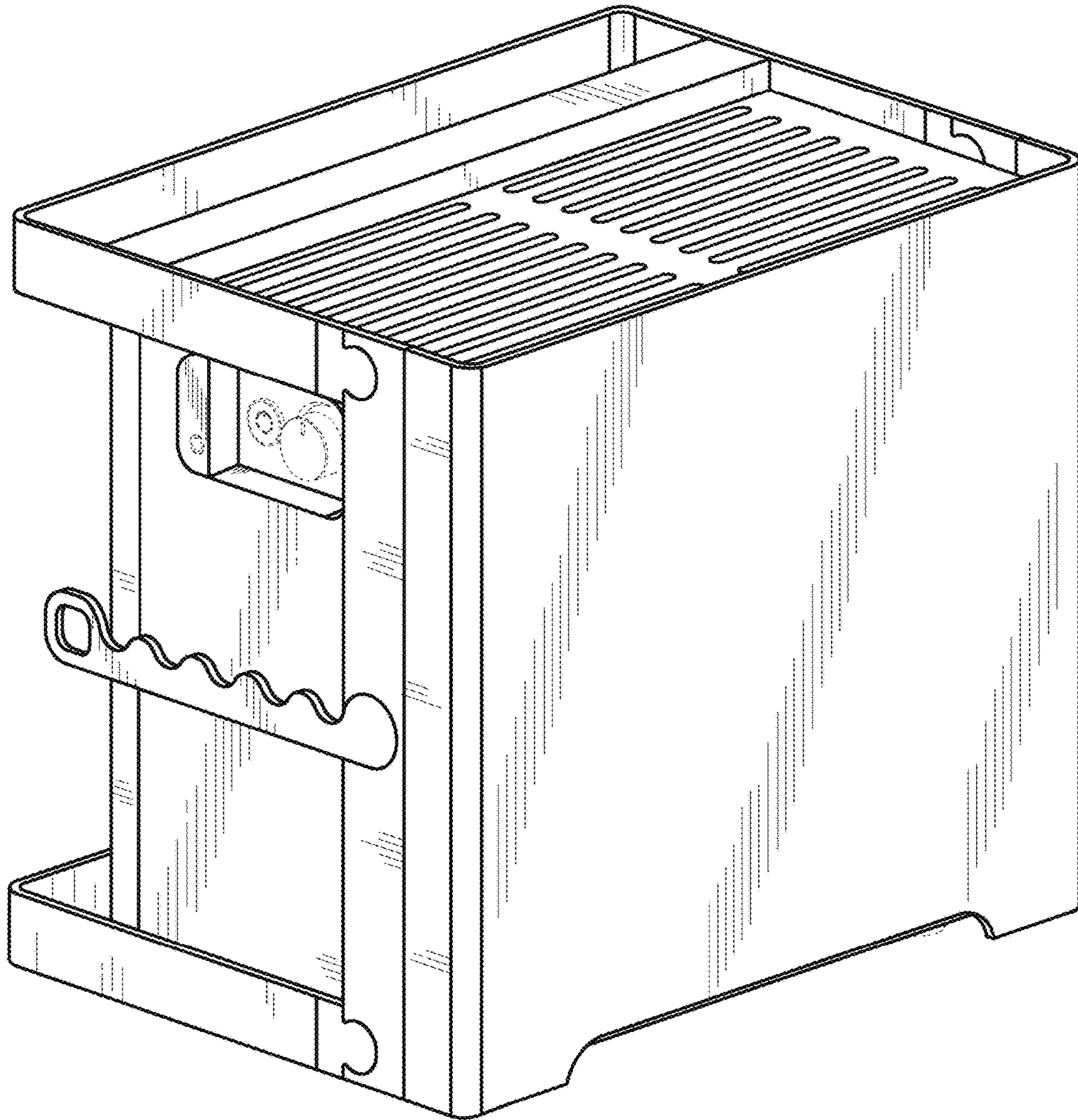


Fig. 21

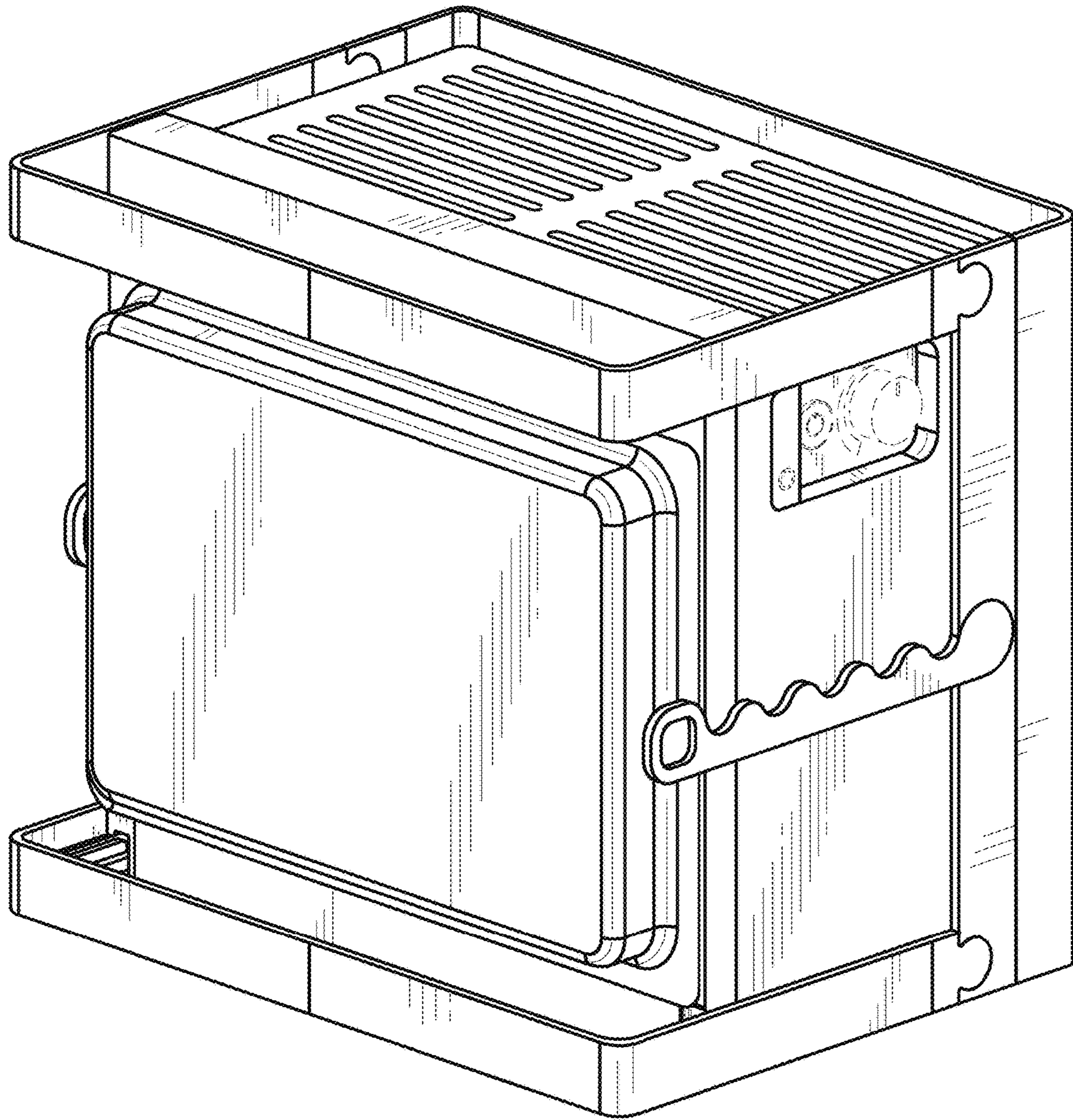


Fig. 22

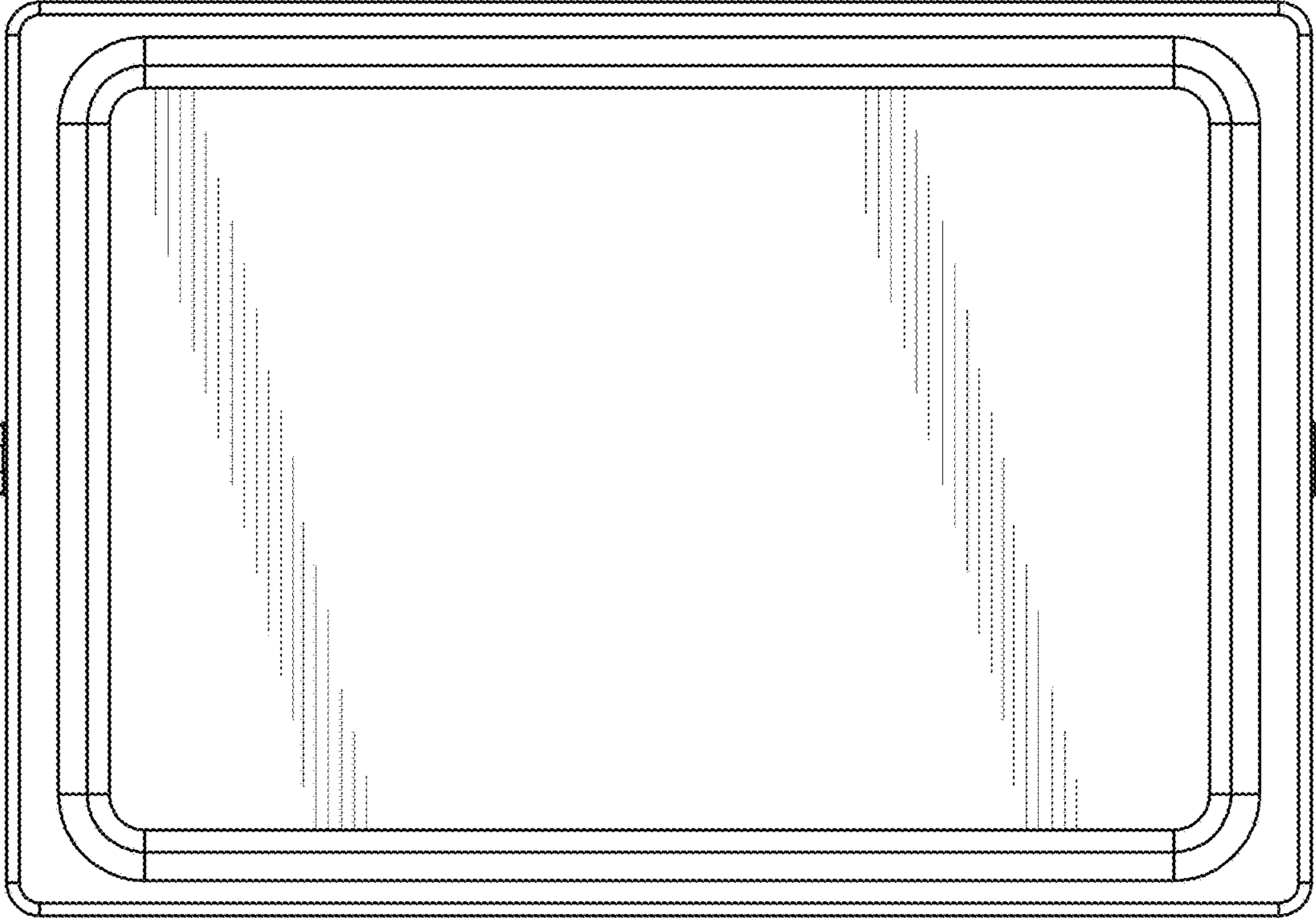


Fig. 23

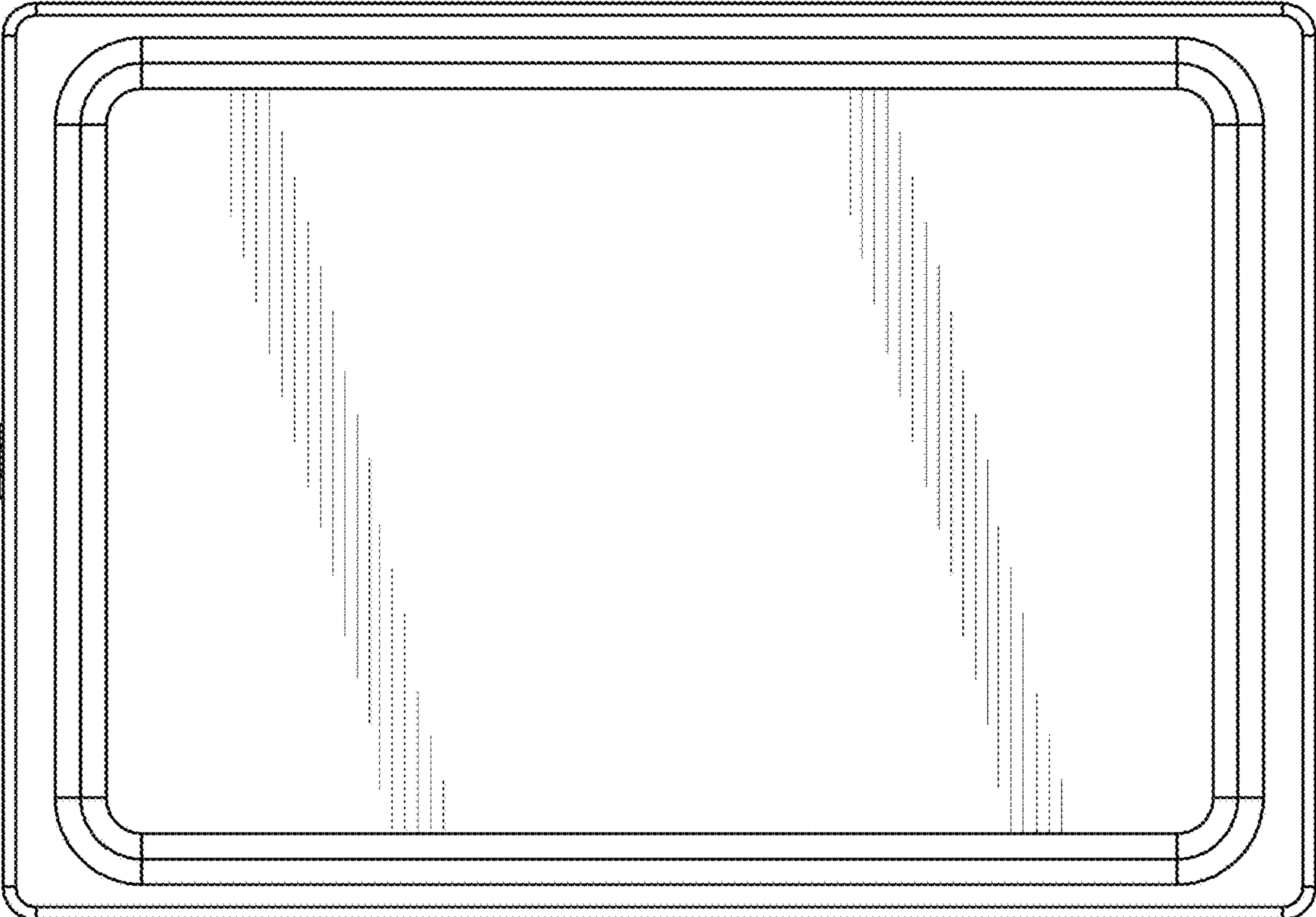


Fig. 24

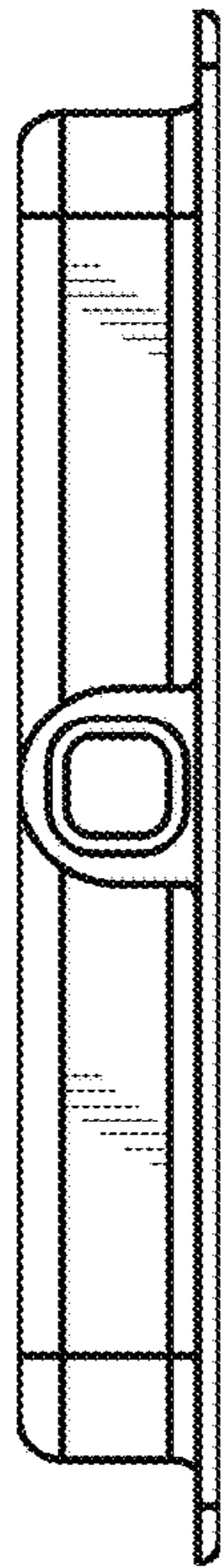


Fig. 25

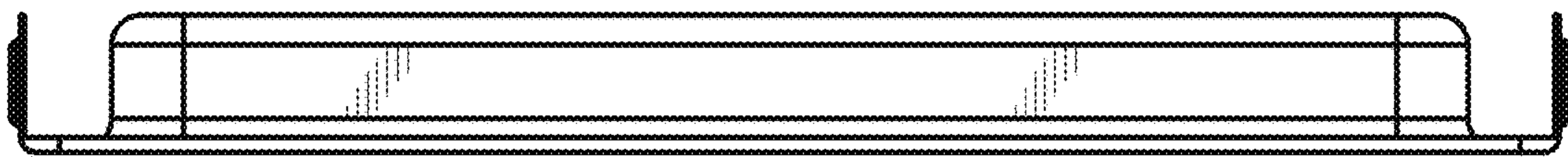


Fig. 26

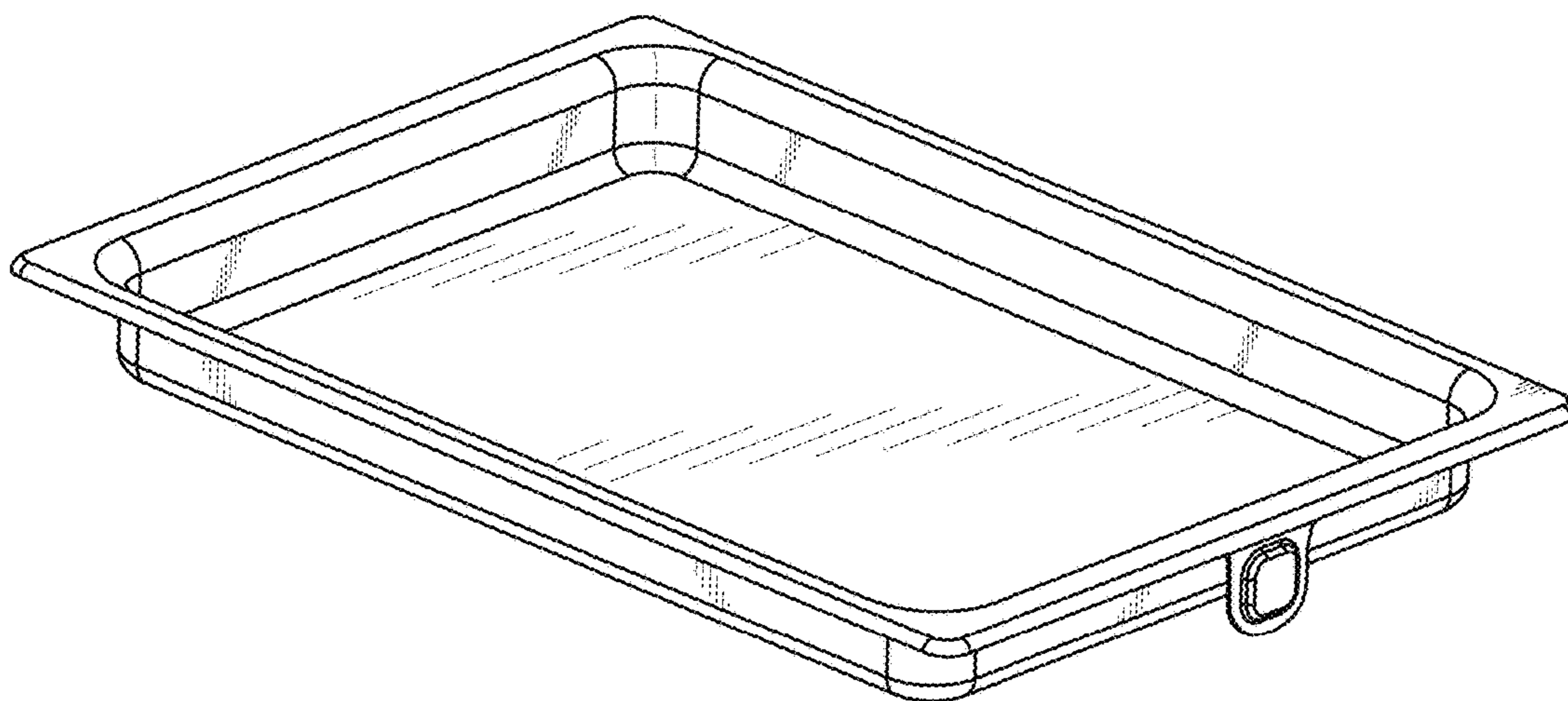


Fig. 27

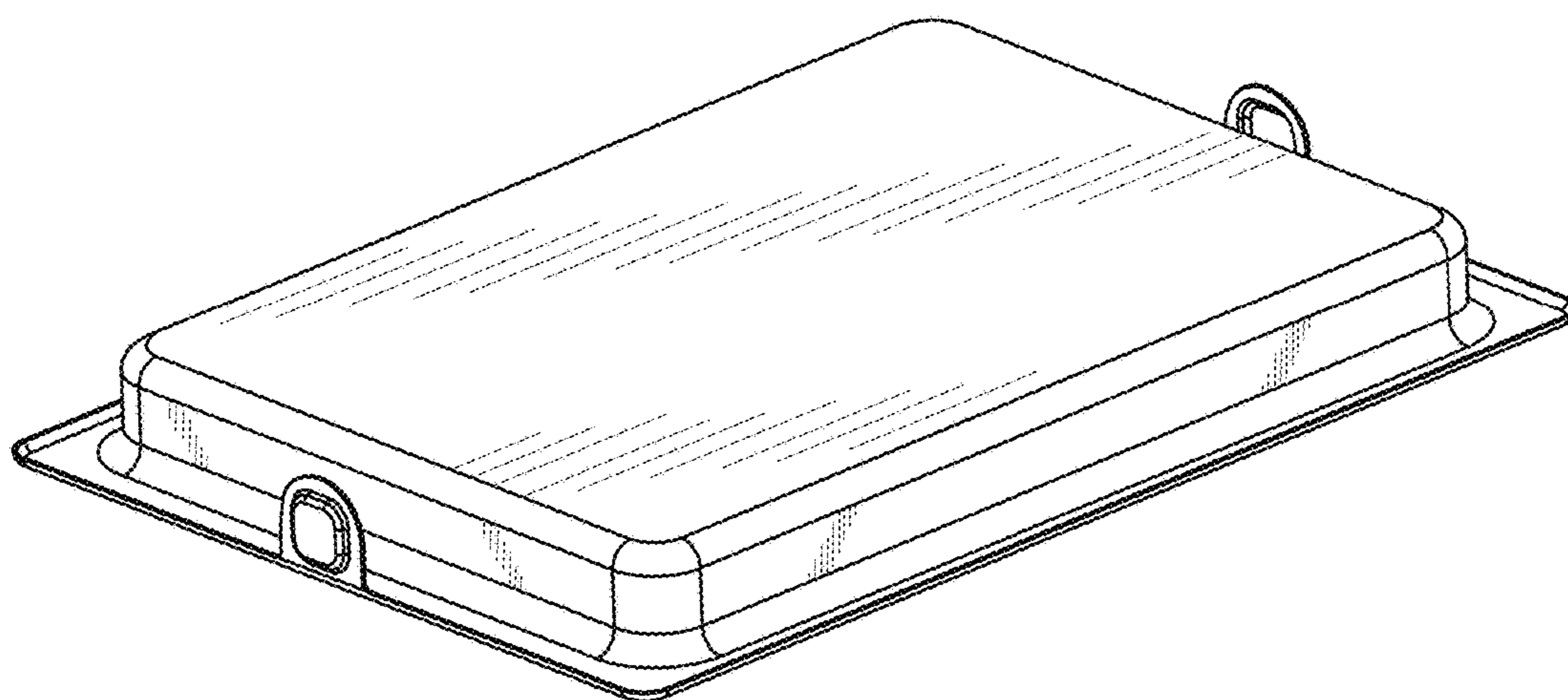


Fig. 28

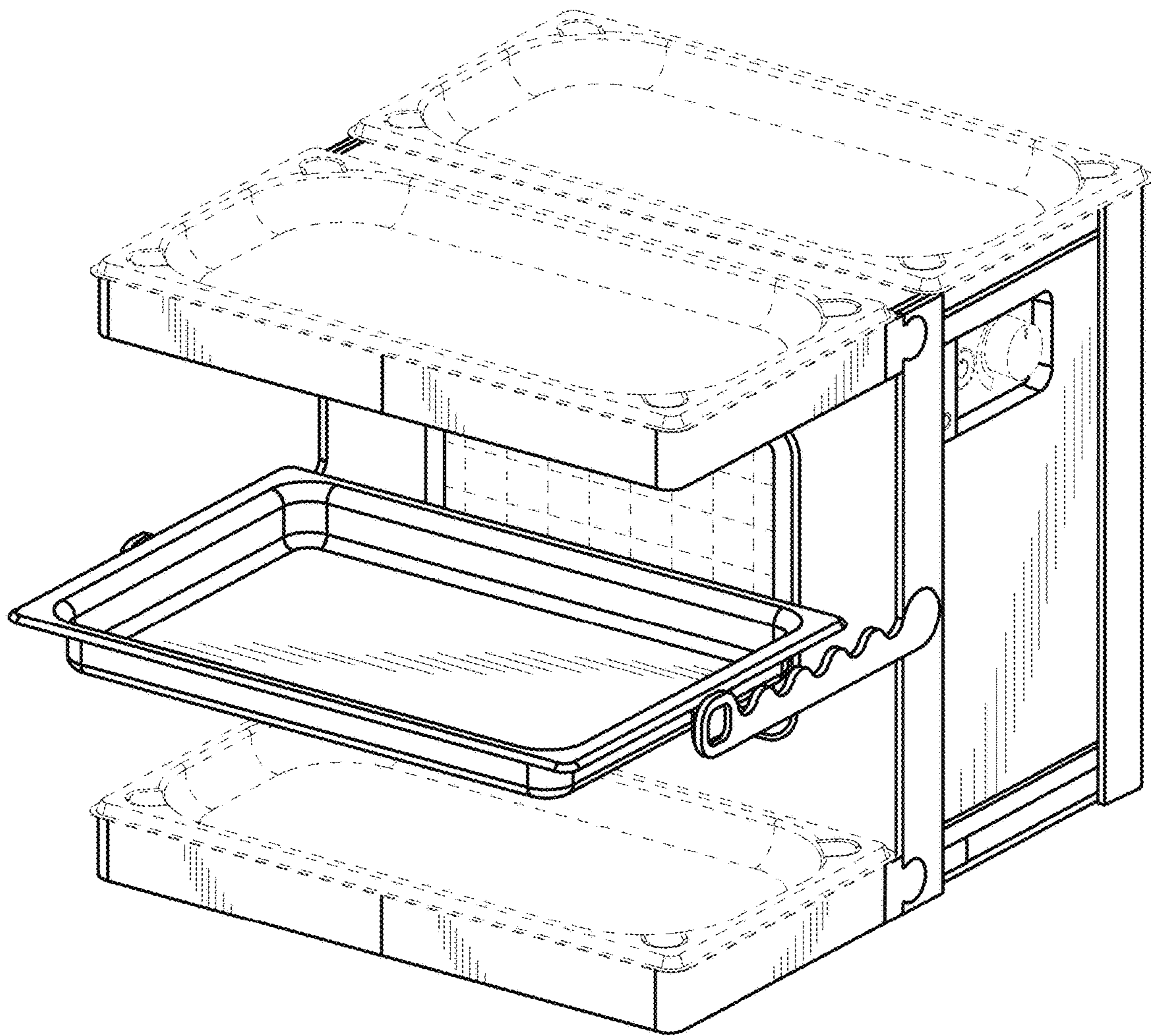


Fig. 29

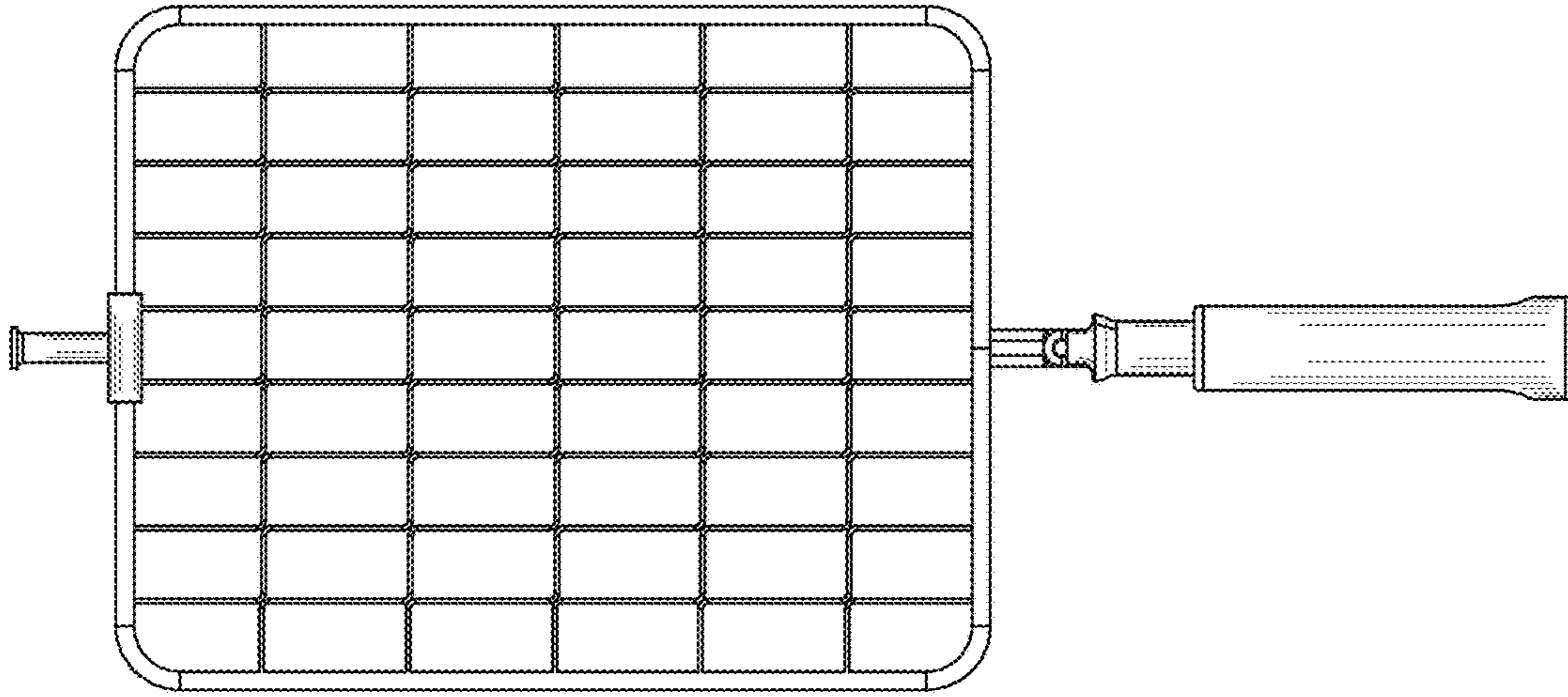


Fig. 30

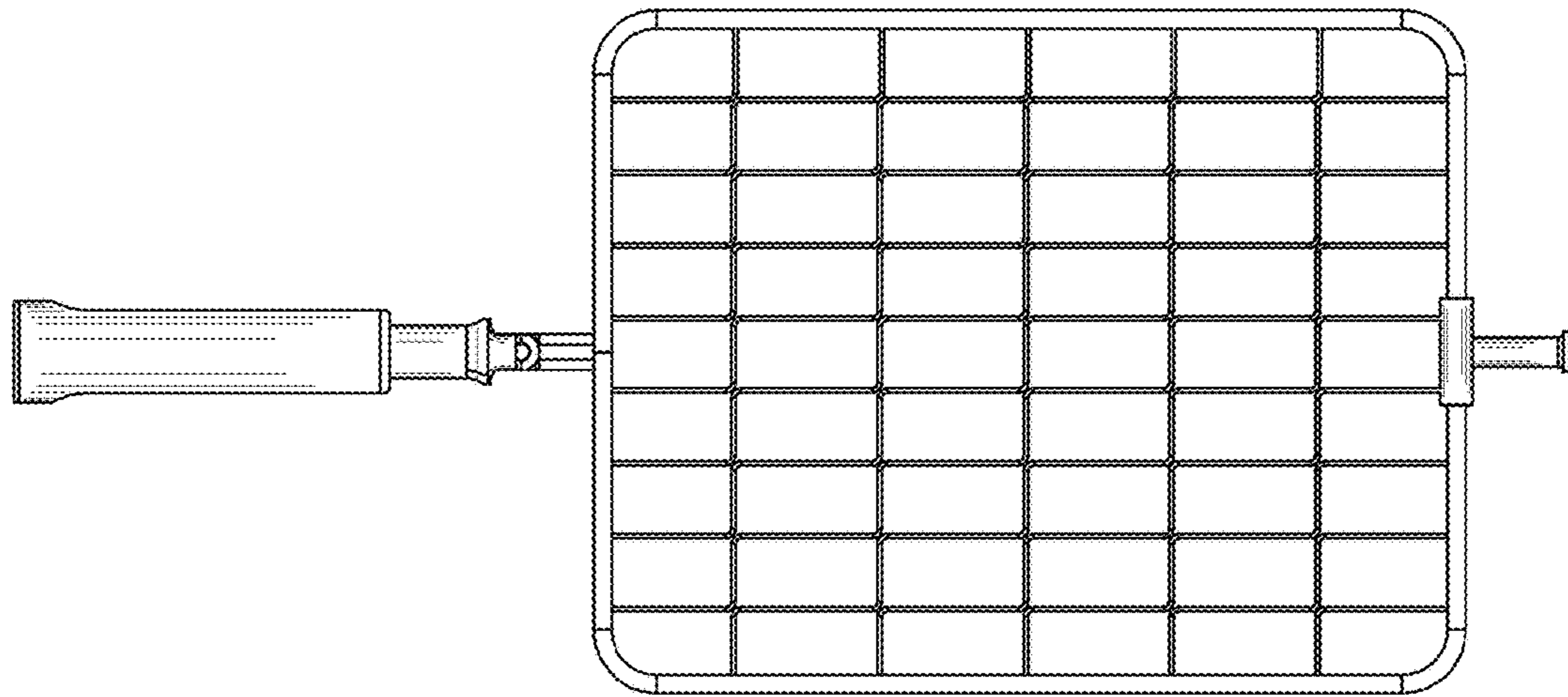


Fig. 31

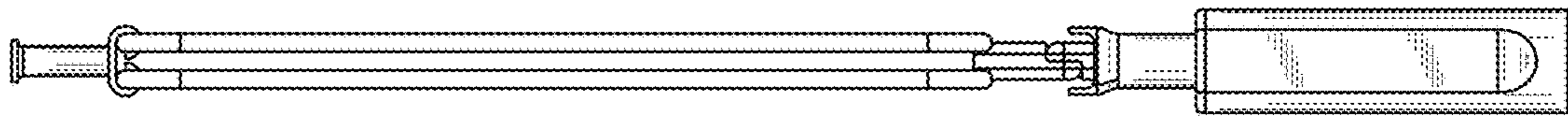


Fig. 32



Fig. 33

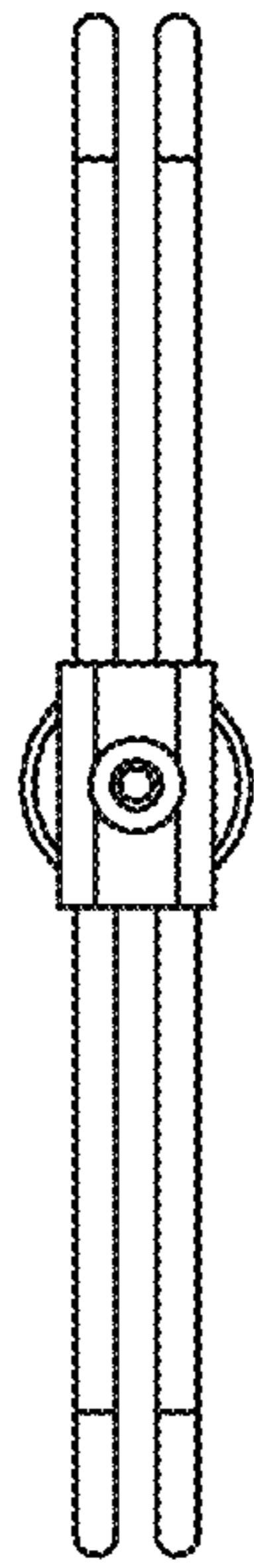


Fig. 34

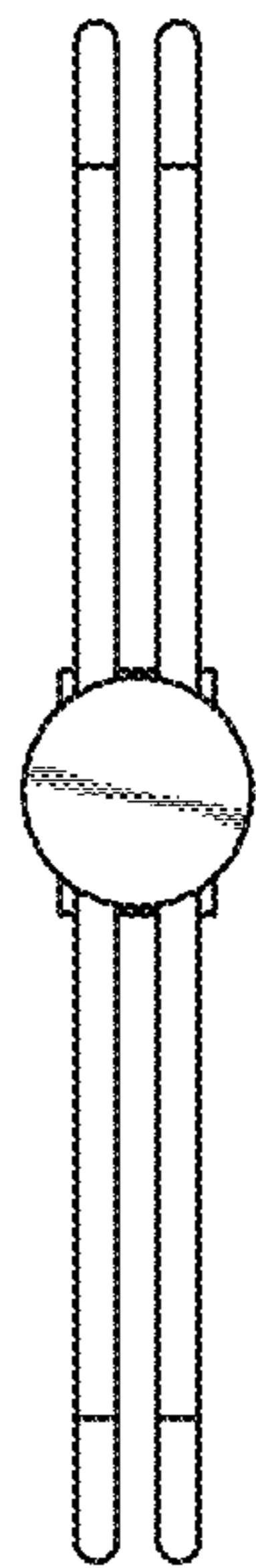


Fig. 35

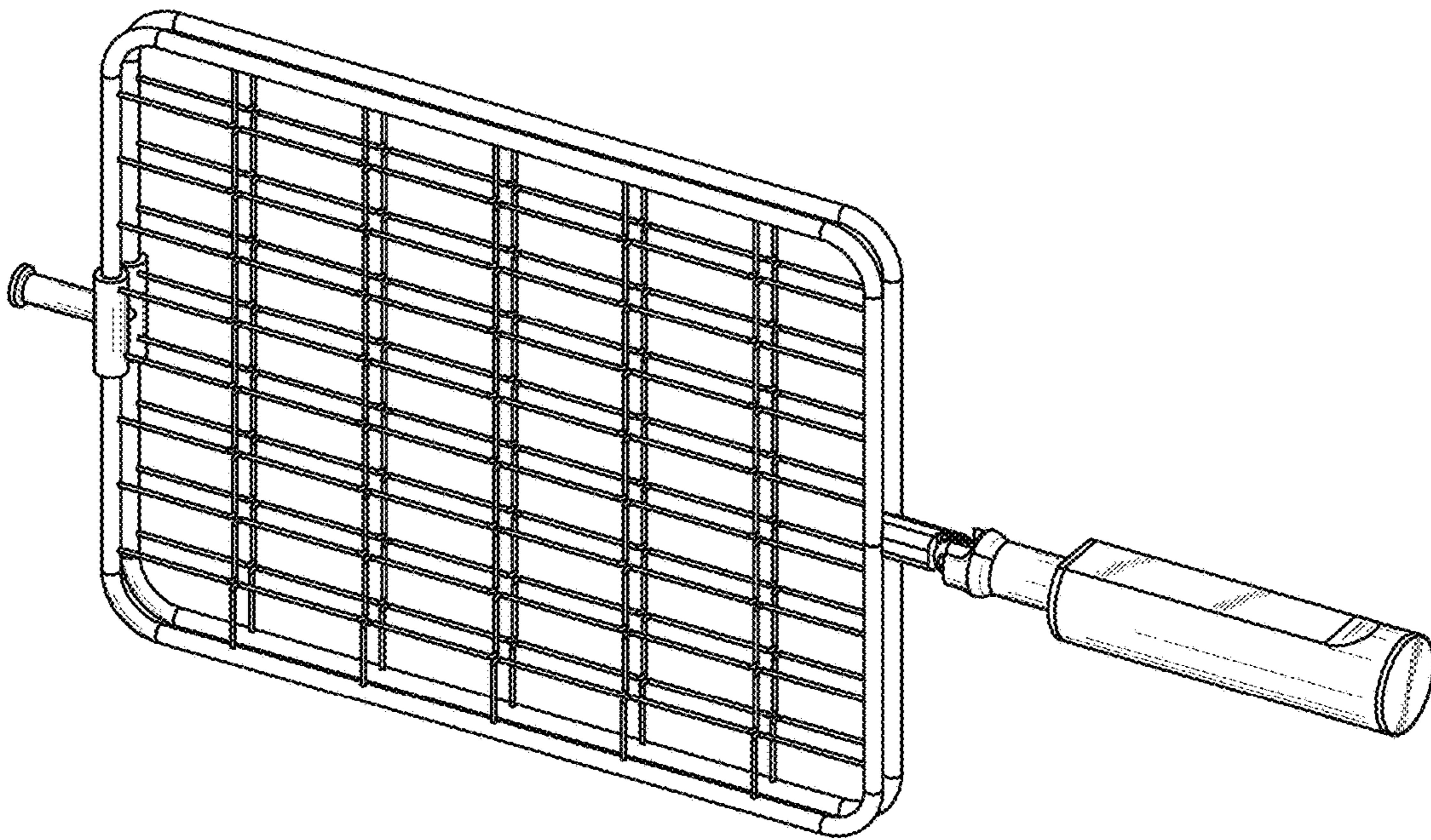


Fig. 36

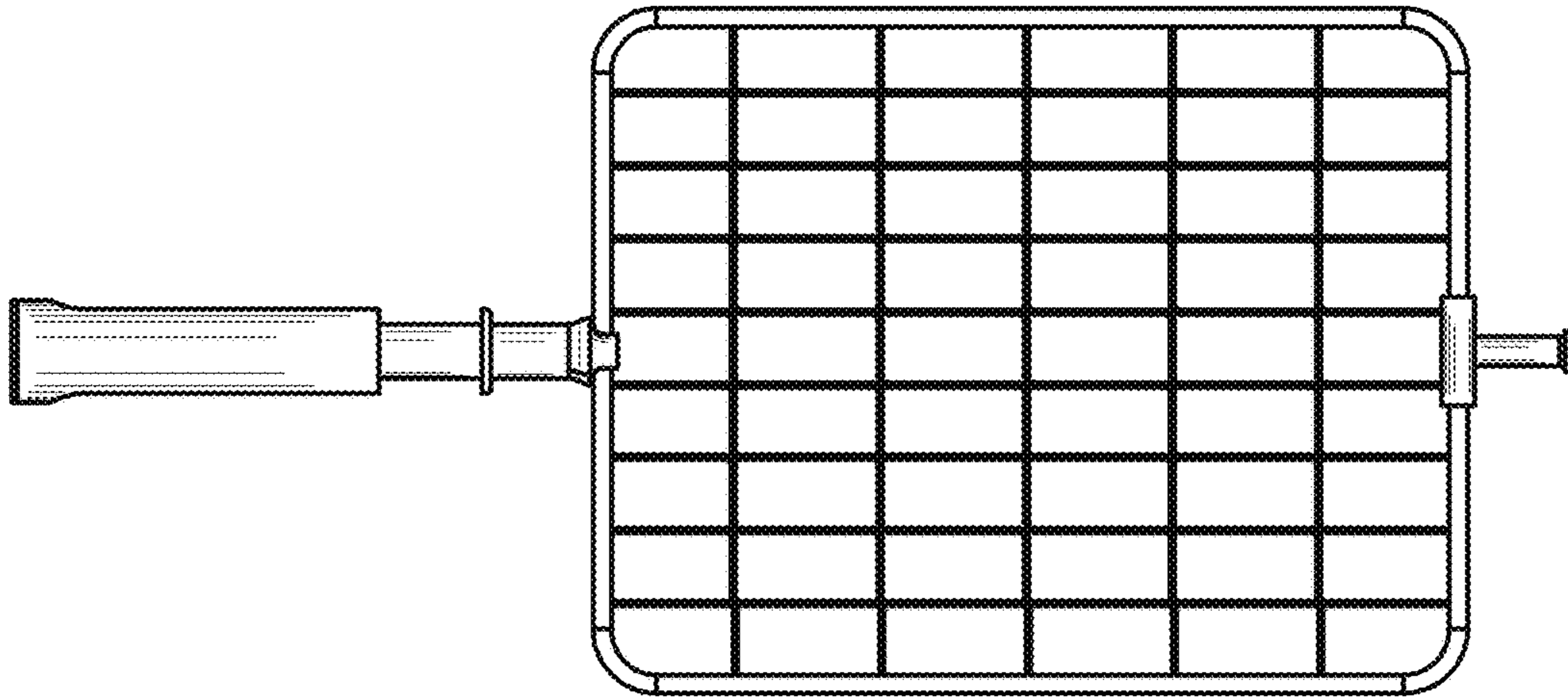


Fig. 37

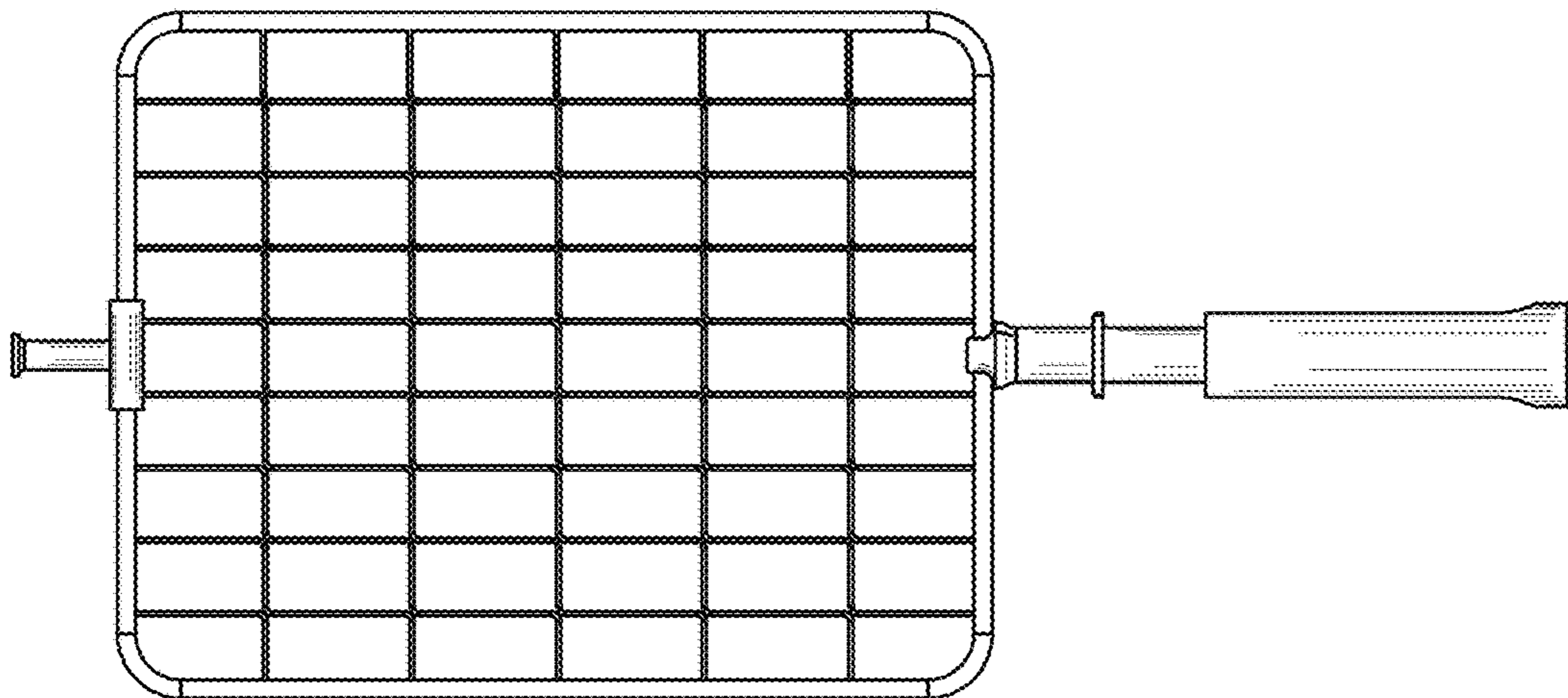


Fig. 38

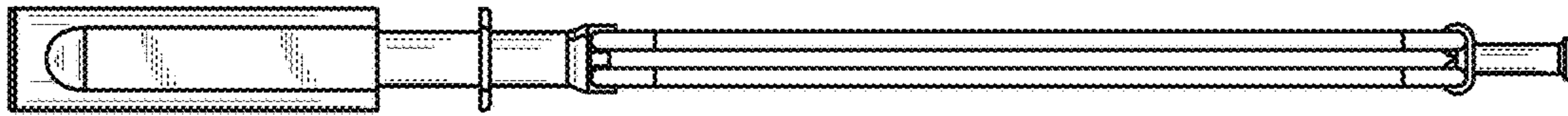


Fig. 39

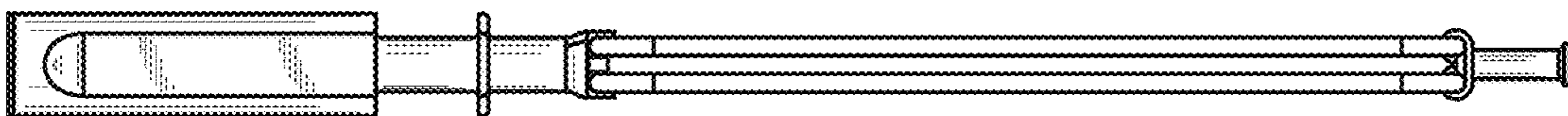


Fig. 40

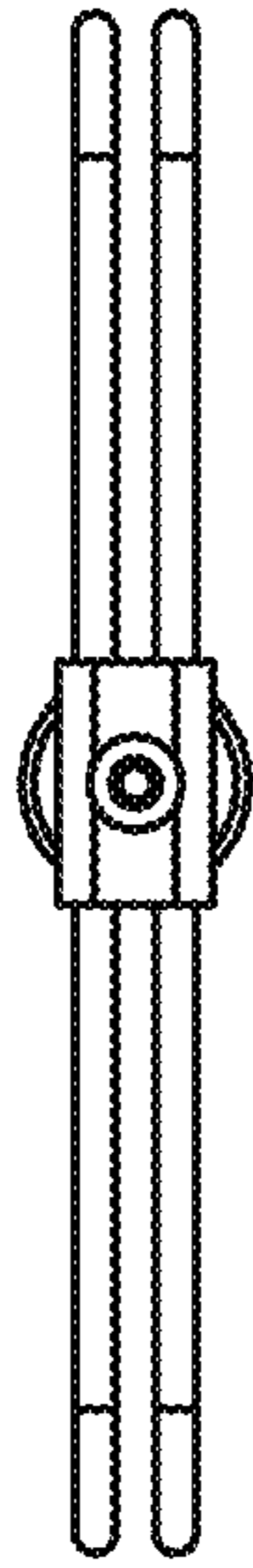


Fig. 41

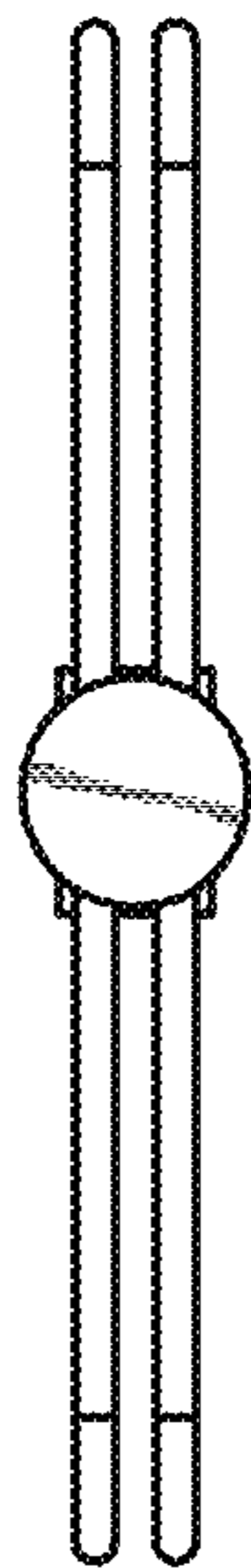


Fig. 42

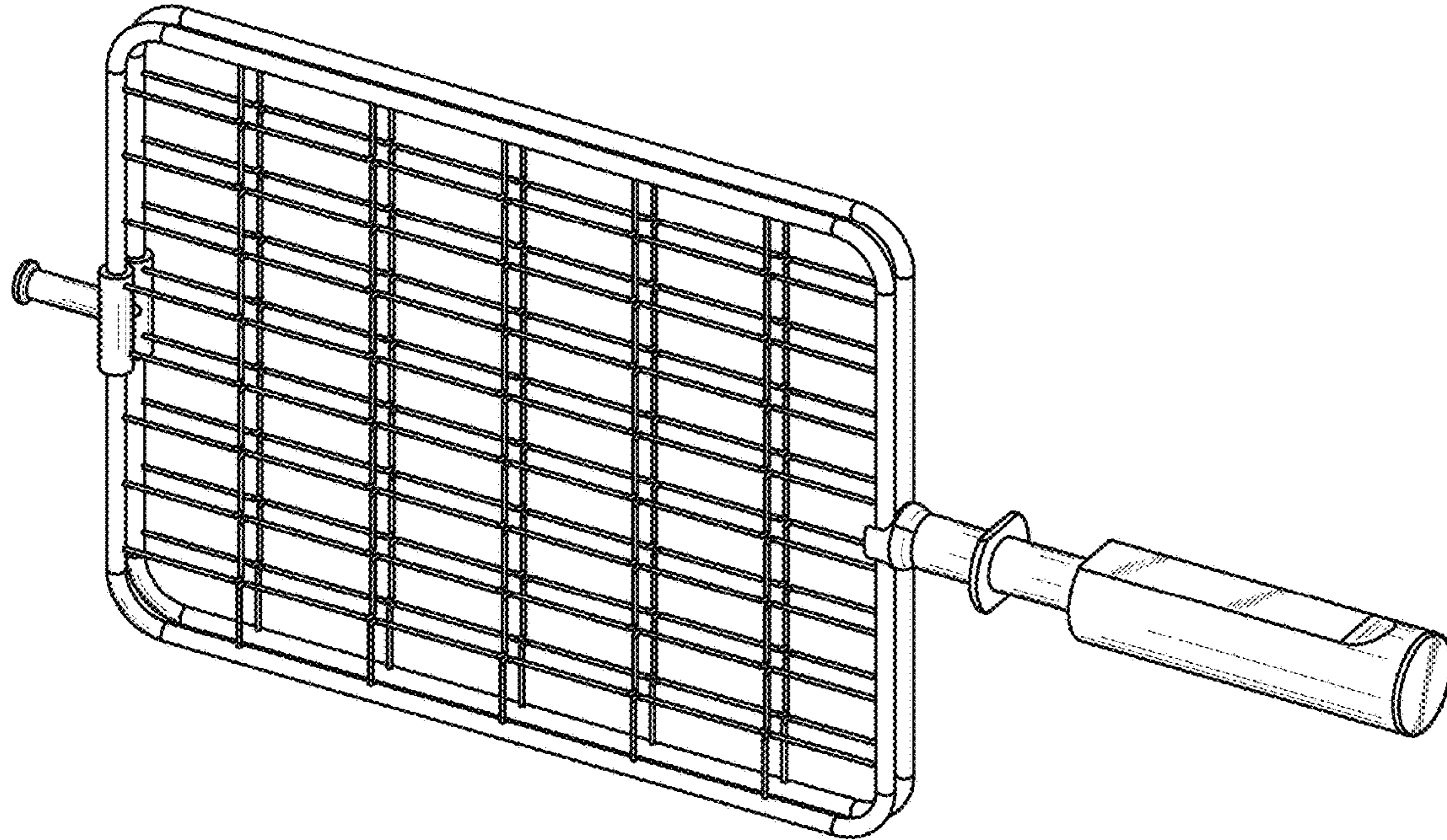


Fig. 43

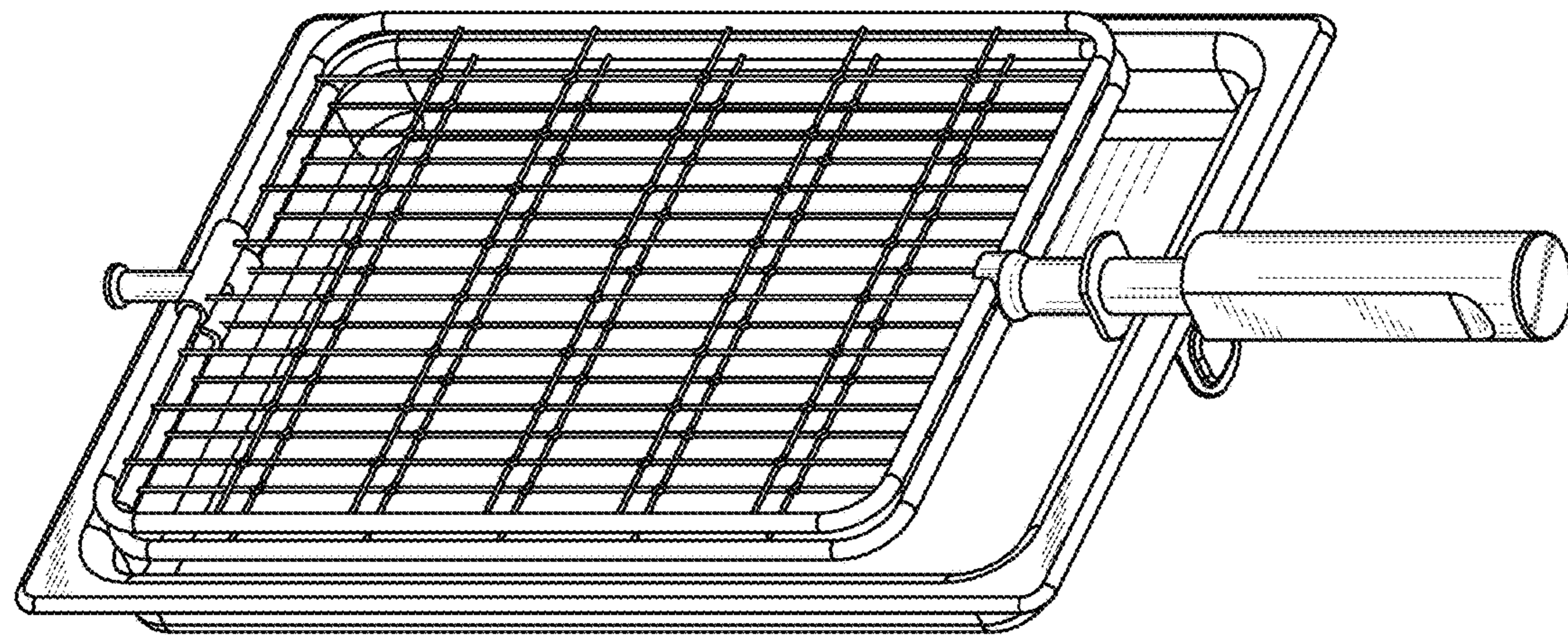


Fig. 44

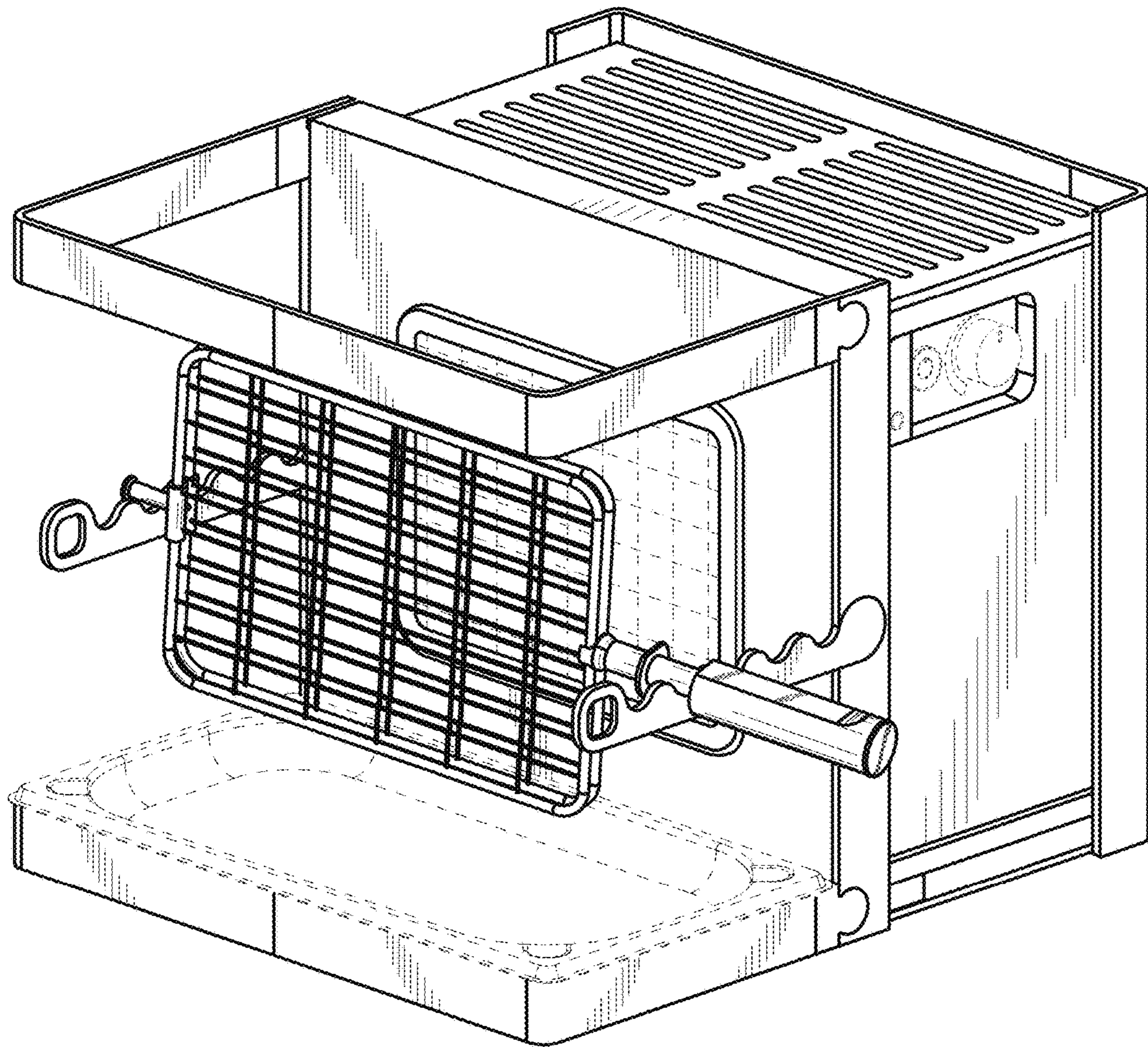


Fig. 45

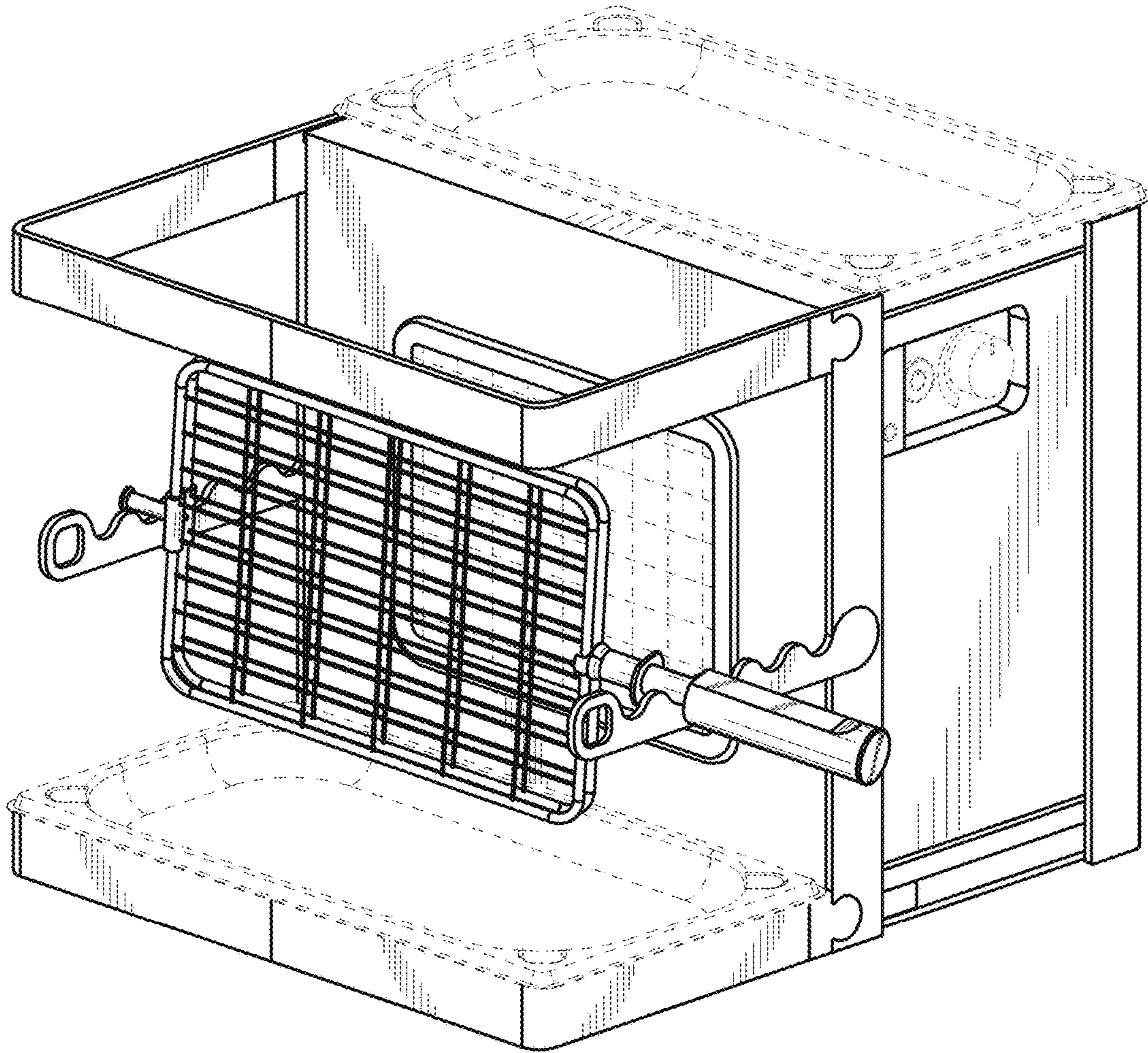


Fig. 46

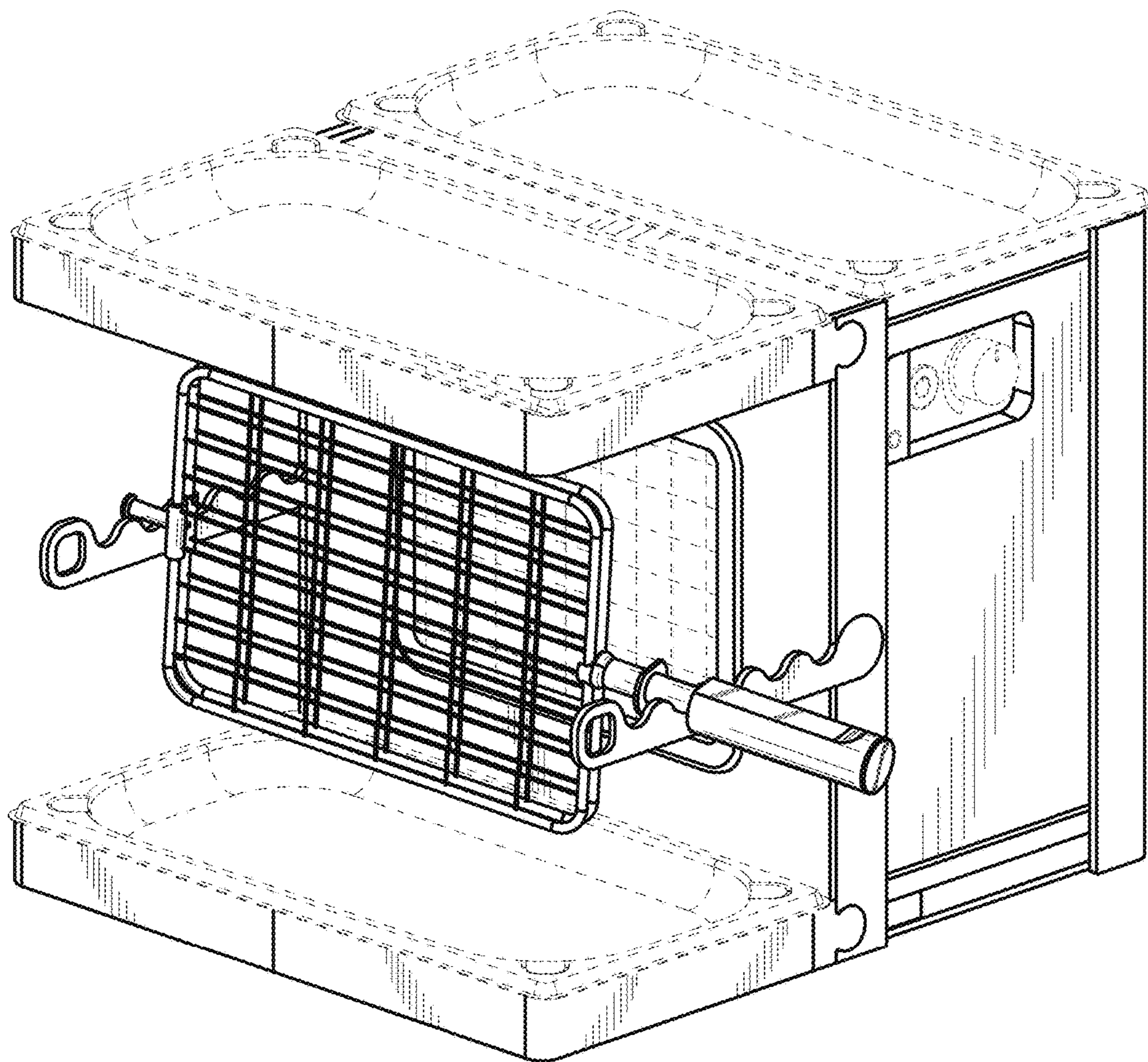


Fig. 47