



US00D856057S

(12) **United States Design Patent** (10) **Patent No.:** **US D856,057 S**
Kinoshita et al. (45) **Date of Patent:** **** Aug. 13, 2019**

(54) **CHAIR**

(71) Applicant: **Kokuyo Co., Ltd.**, Osaka-shi (JP)

(72) Inventors: **Yojiro Kinoshita**, Osaka (JP); **Kazuo Oku**, Osaka (JP); **Takayoshi Kanou**, Osaka (JP); **Kenta Asano**, Osaka (JP); **Hideshi Hamaguchi**, Portland, OR (US); **Ippei Iwahara**, Portland, OR (US)

(73) Assignee: **Kokuyo Co., Ltd.**, Osaka (JP)

(**) Term: **15 Years**

(21) Appl. No.: **29/623,884**

(22) Filed: **Oct. 27, 2017**

(30) **Foreign Application Priority Data**

Jun. 15, 2017 (JP) 2017-012889

(51) **LOC (12) Cl.** **06-06**

(52) **U.S. Cl.**
USPC **D6/716.7**

(58) **Field of Classification Search**
USPC D6/364, 379, 380, 708.16, 708.17, D6/708.18, 708.23, 708.24, 709.18, 716, D6/716.1, 716.2, 716.3, 716.4, 716.5, D6/716.6, 716.7, 366; D7/678
CPC .. A47C 7/029; A47C 7/36; A47C 7/40; A47C 7/46; A47C 7/185; A47C 7/425; A47C 7/462
See application file for complete search history.

(56) **References Cited**

U.S. PATENT DOCUMENTS

D242,973 S * 1/1977 Daenen 241/168
D647,717 S * 11/2011 Zund D6/366

D653,481 S * 2/2012 Moreschi D6/716.7
D694,542 S * 12/2013 Citterio D6/366
D697,351 S * 1/2014 Skalka D6/716.1
D705,560 S * 5/2014 Sato D6/366
D727,075 S * 4/2015 Usumoto D6/366
D750,928 S * 3/2016 Line D6/716.4
D761,578 S * 7/2016 Neil D6/366
D766,028 S * 9/2016 Alvarez D6/716.7
D798,093 S * 9/2017 Pan D6/373
D826,614 S * 8/2018 Chu D6/716.4

* cited by examiner

Primary Examiner — Kevin K Rudzinski

Assistant Examiner — Paul D Bohannon

(74) *Attorney, Agent, or Firm* — The Webb Law Firm

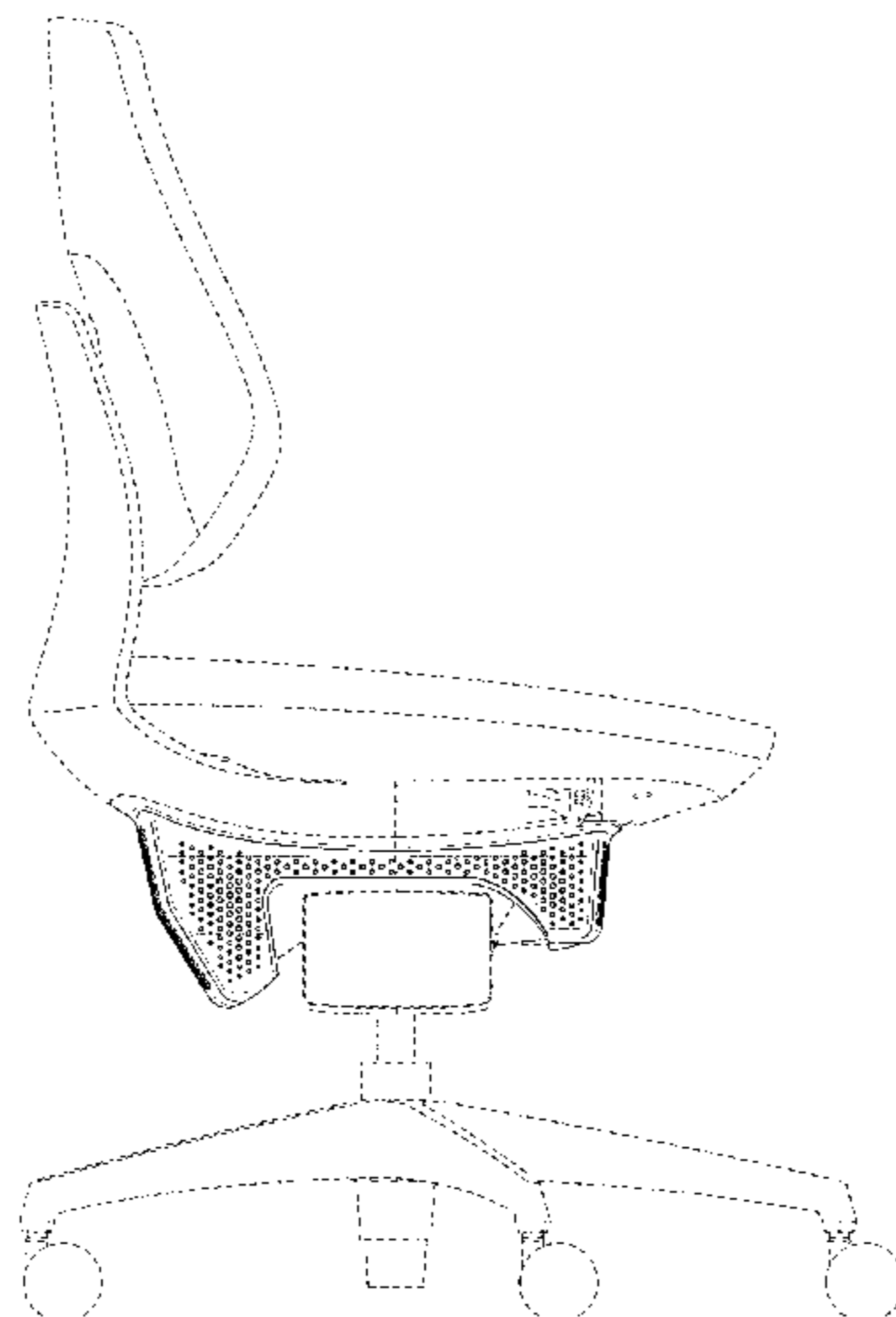
(57) **CLAIM**

The ornamental design for a chair, as shown and described.

DESCRIPTION

FIG. 1 is an upper perspective view of a chair, showing our new design;
FIG. 2 is a front elevation view thereof;
FIG. 3 is a rear elevation view thereof;
FIG. 4 is a top view thereof;
FIG. 5 is a bottom view thereof;
FIG. 6 is a right side elevation view thereof;
FIG. 7 is a left side elevation view thereof;
FIG. 8 is an enlarged end view thereof taken along lines 8-8 shown in FIG. 2; and,
FIG. 9 is an enlarged right side view thereof taken along lines 9-9 shown in FIG. 6.
The portions of the chair shown in broken lines form no part of the claimed design.

1 Claim, 9 Drawing Sheets



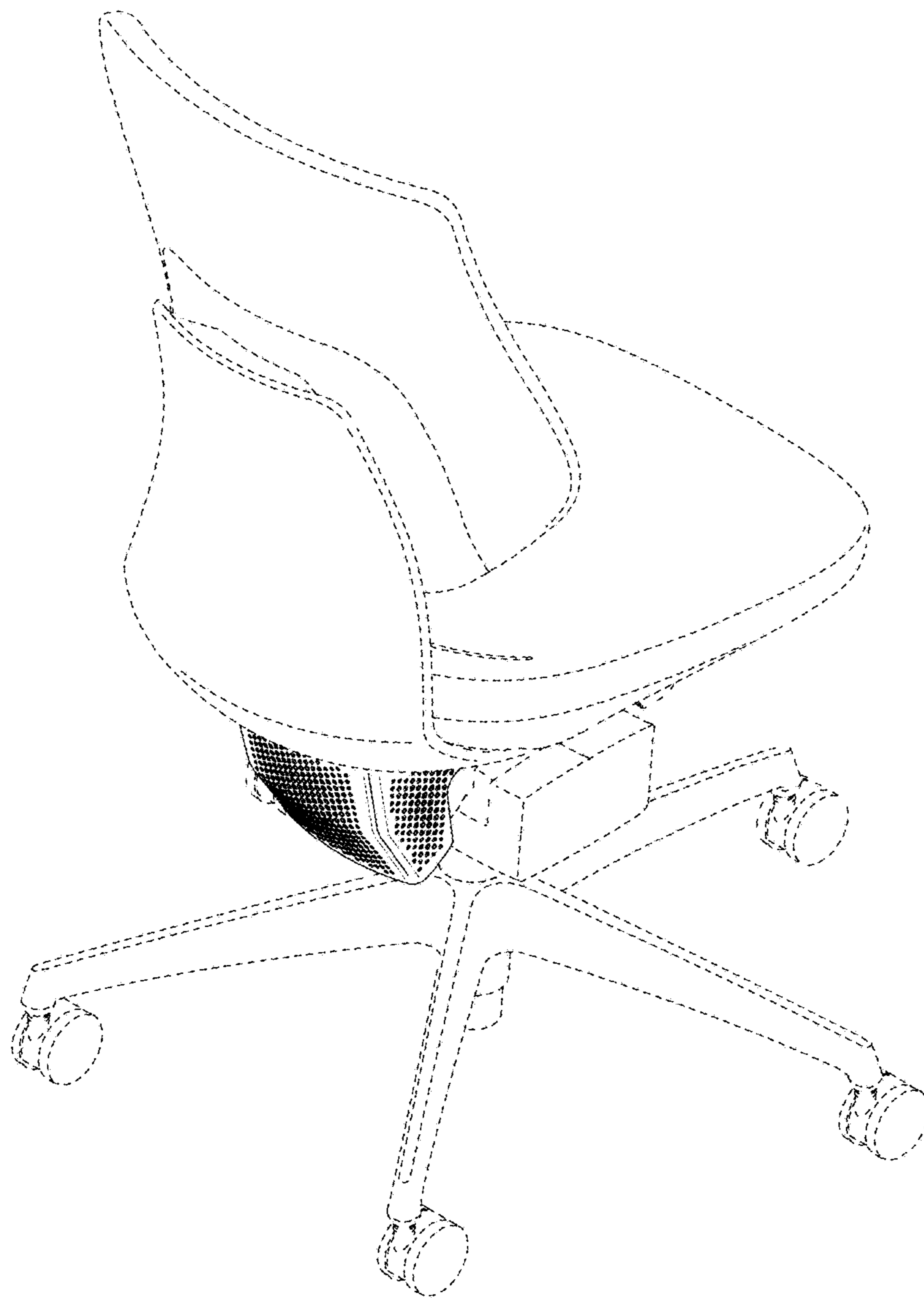


FIG. 1

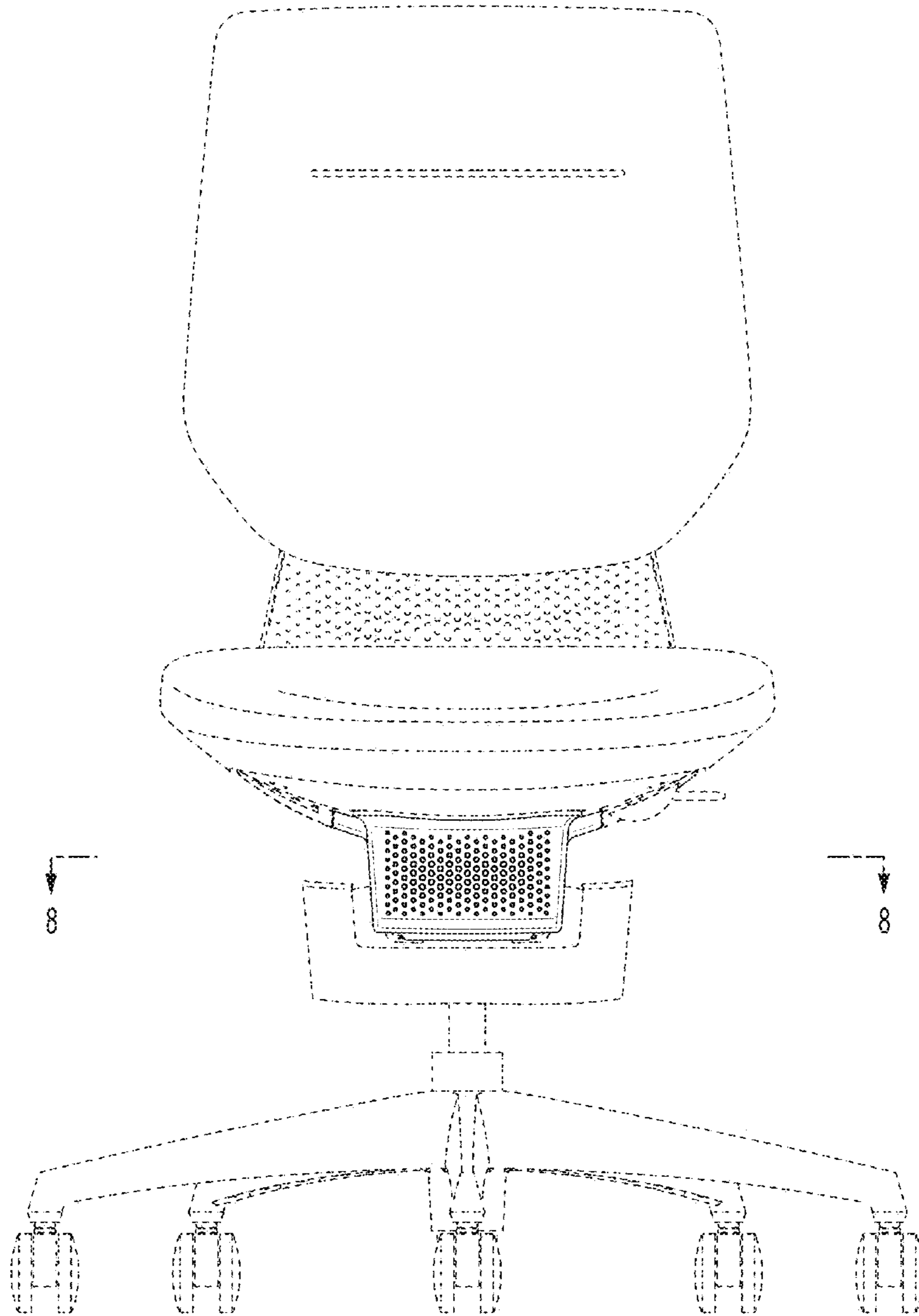


FIG. 2

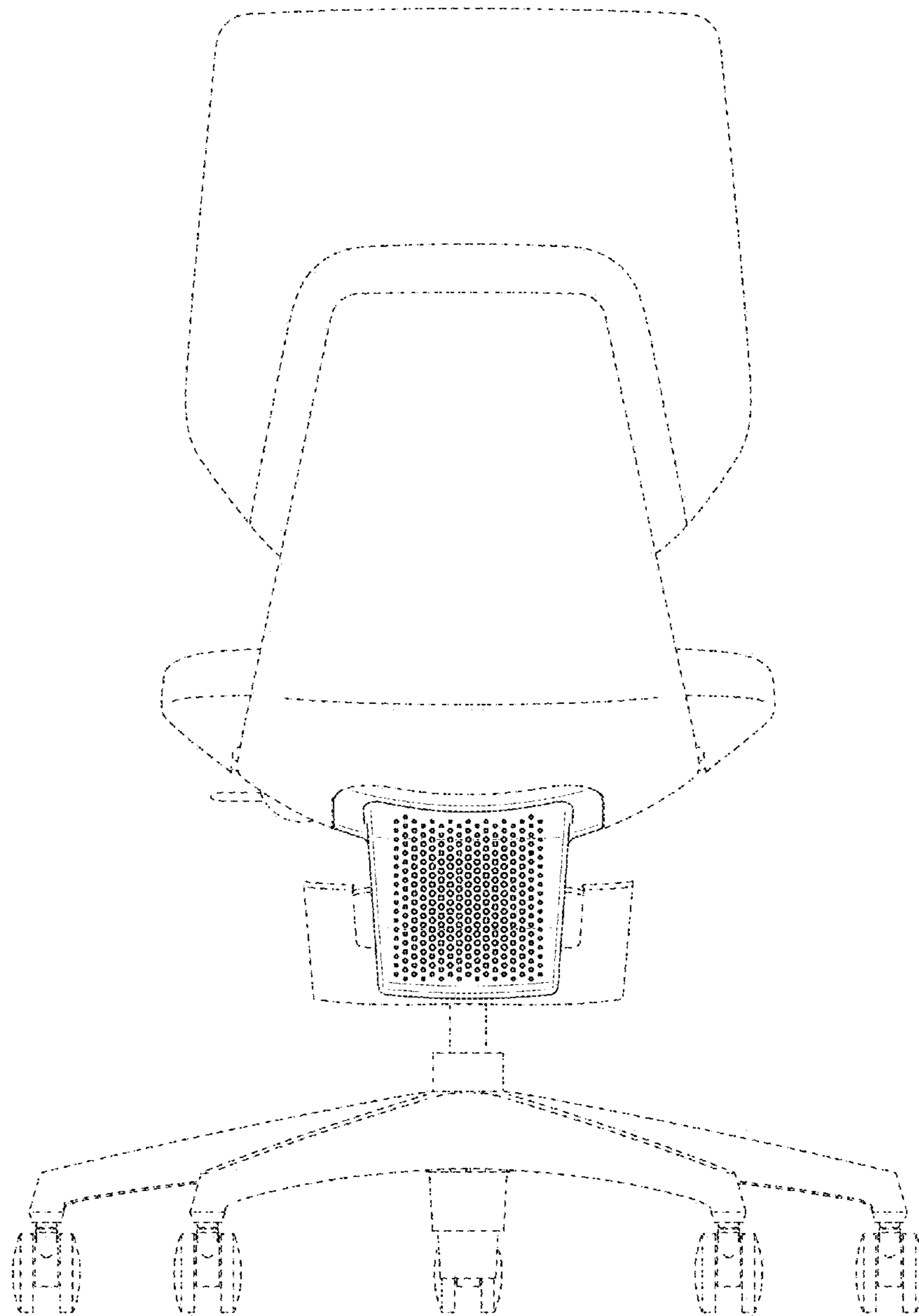


FIG. 3

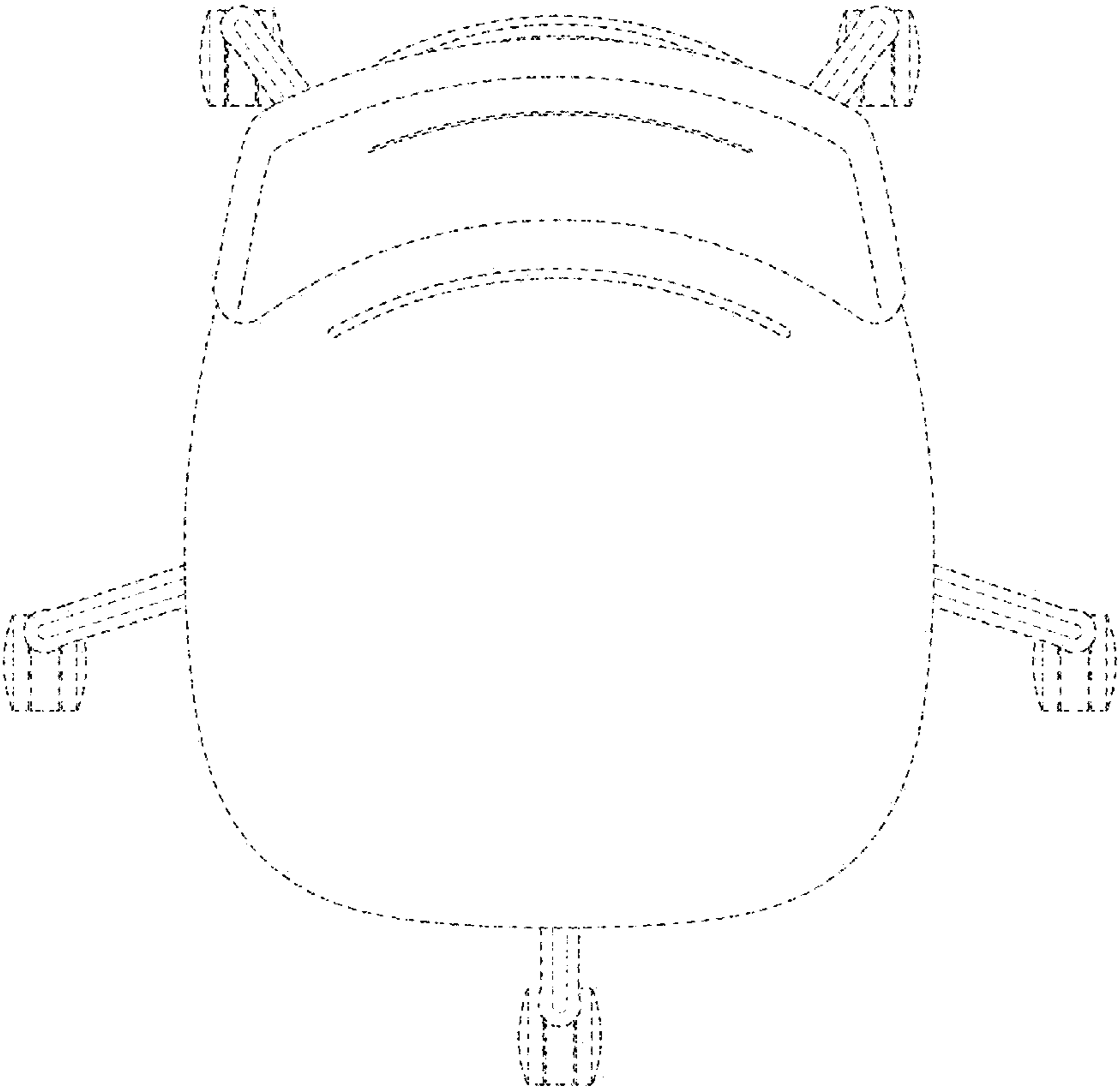


FIG. 4

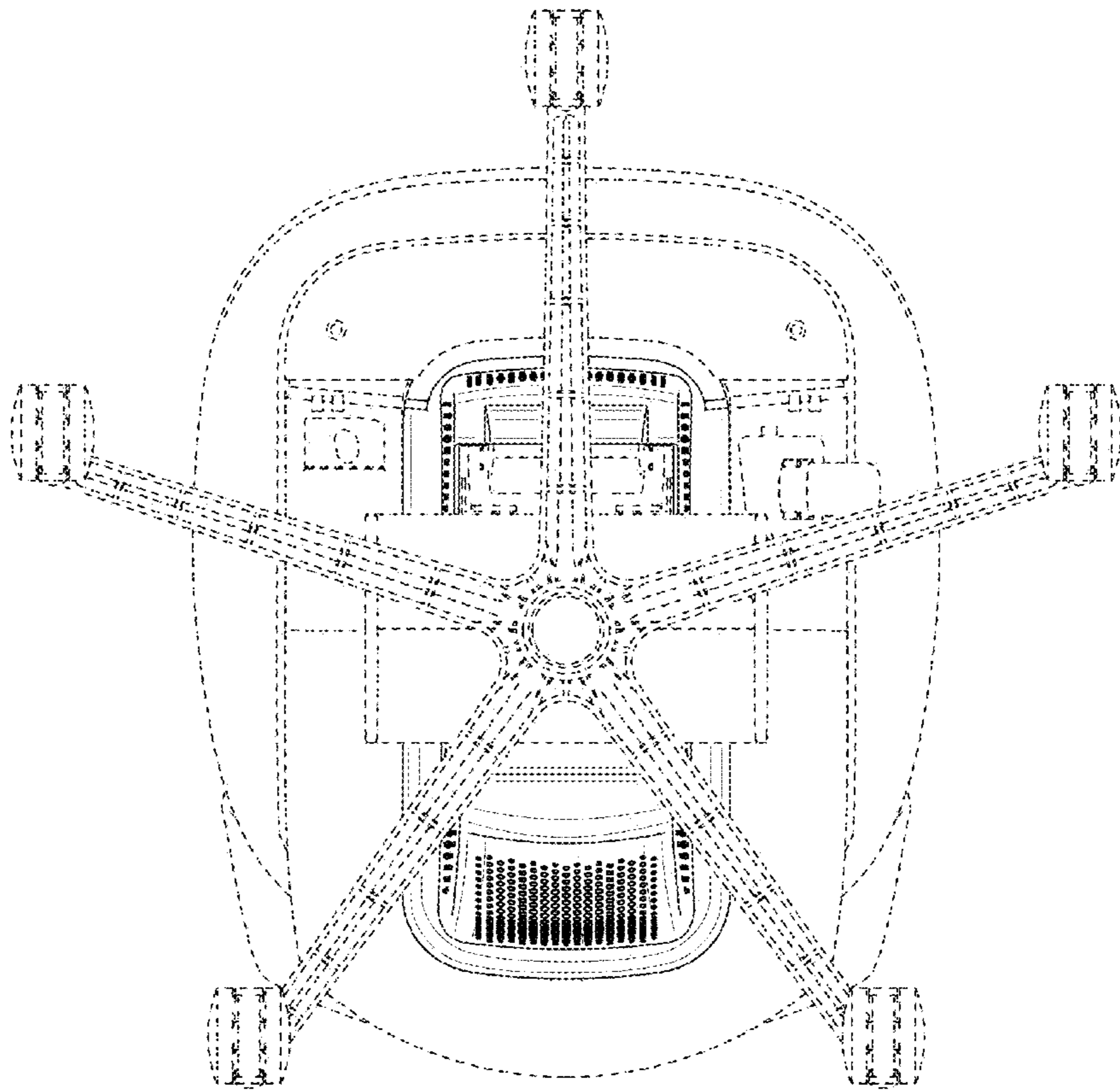


FIG. 5

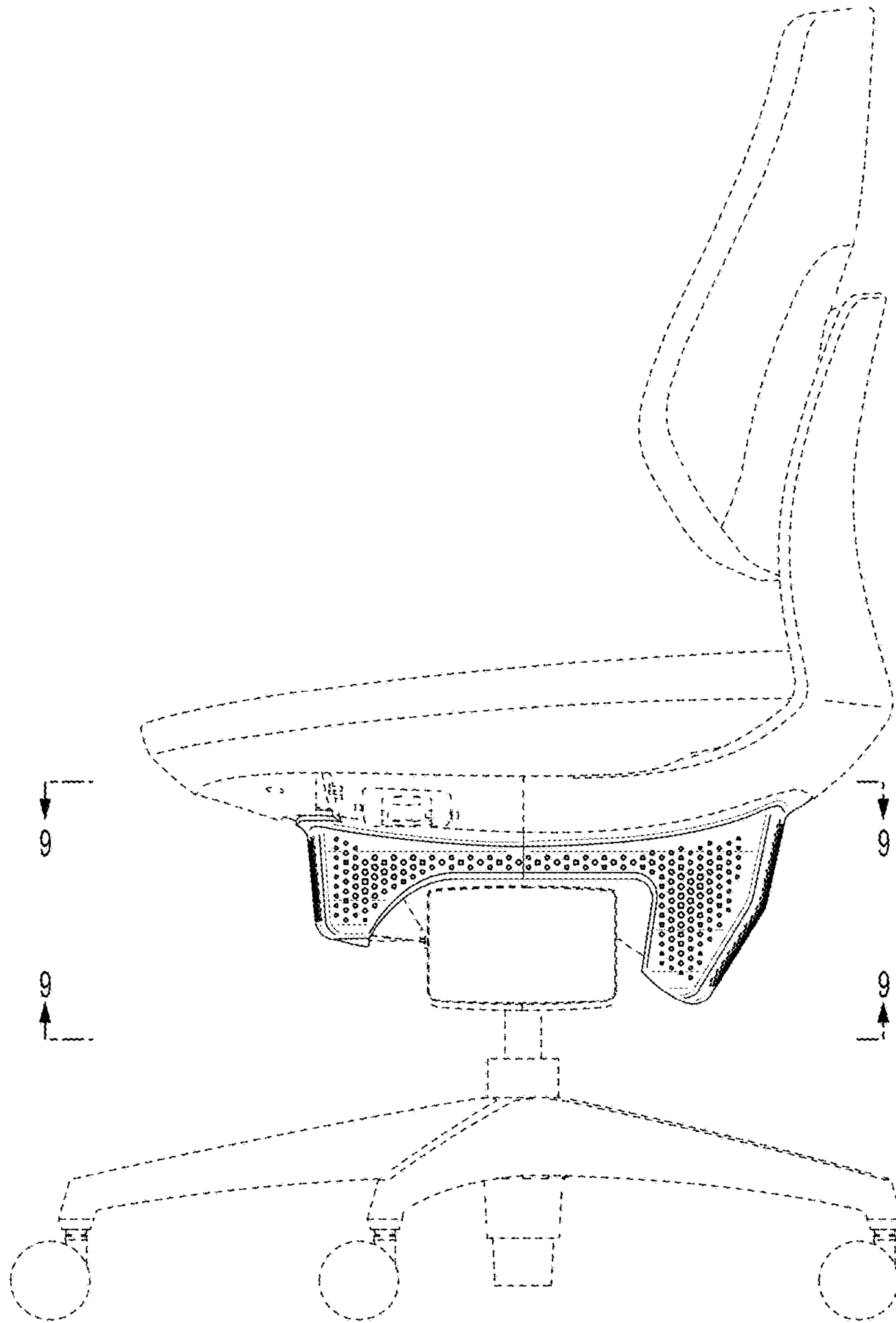


FIG. 6

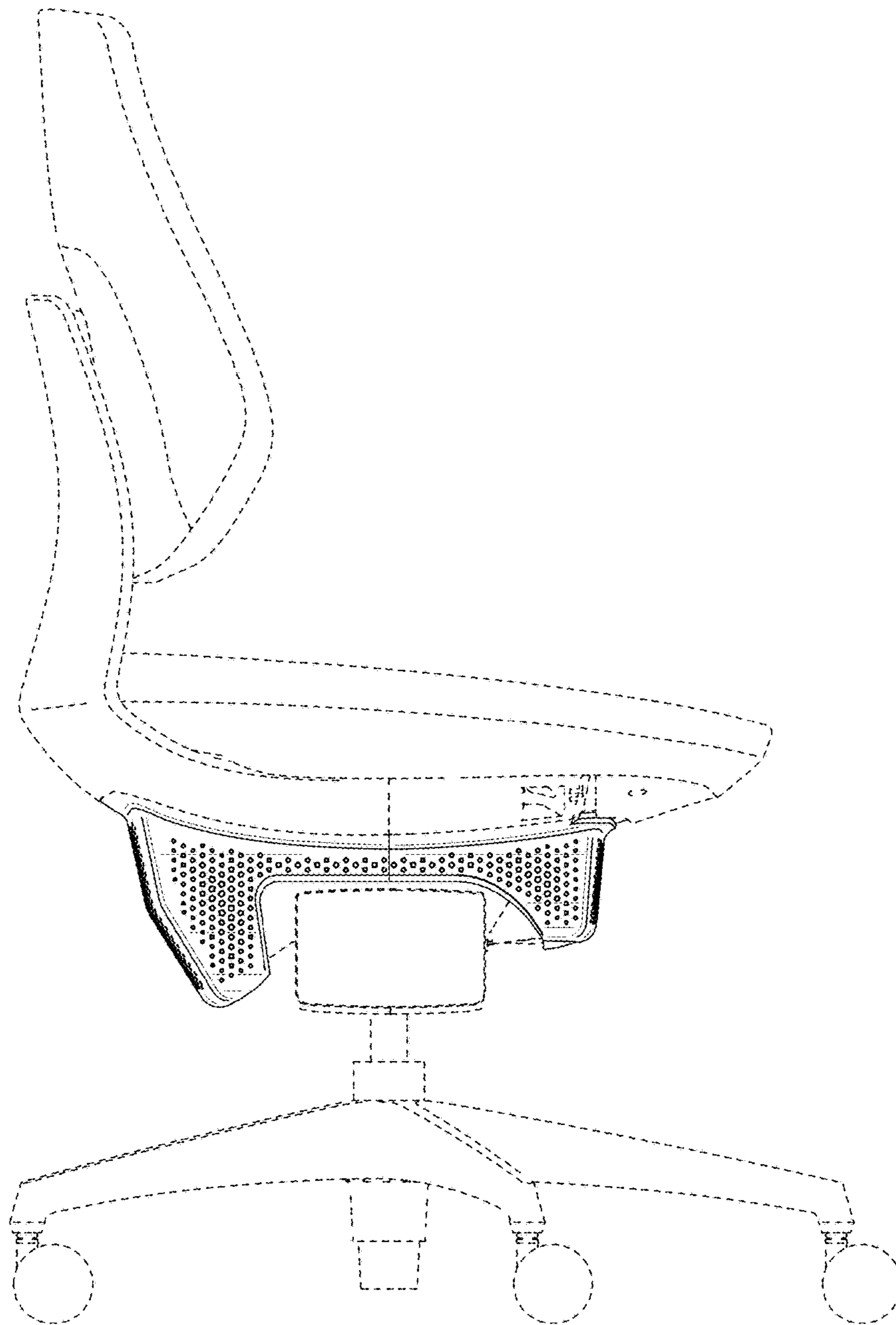


FIG. 7

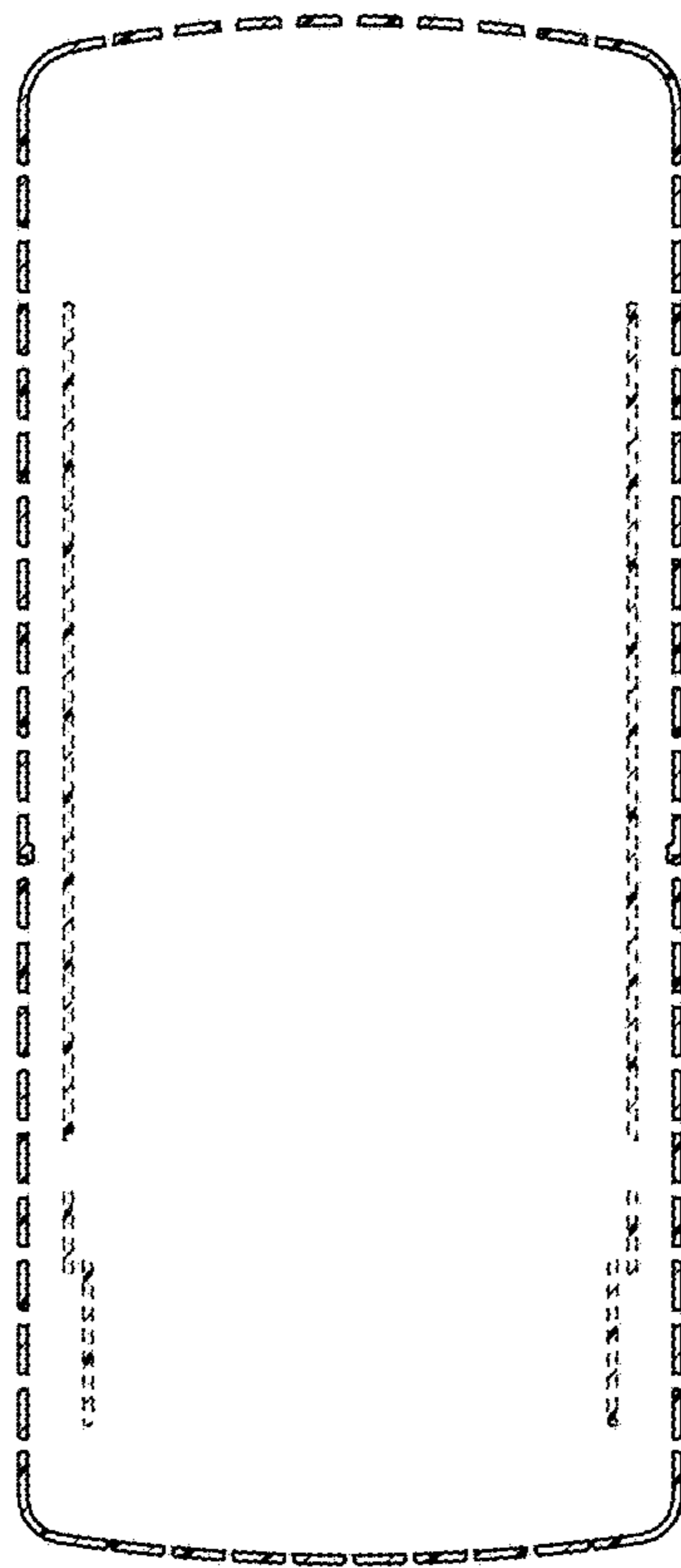


FIG. 8

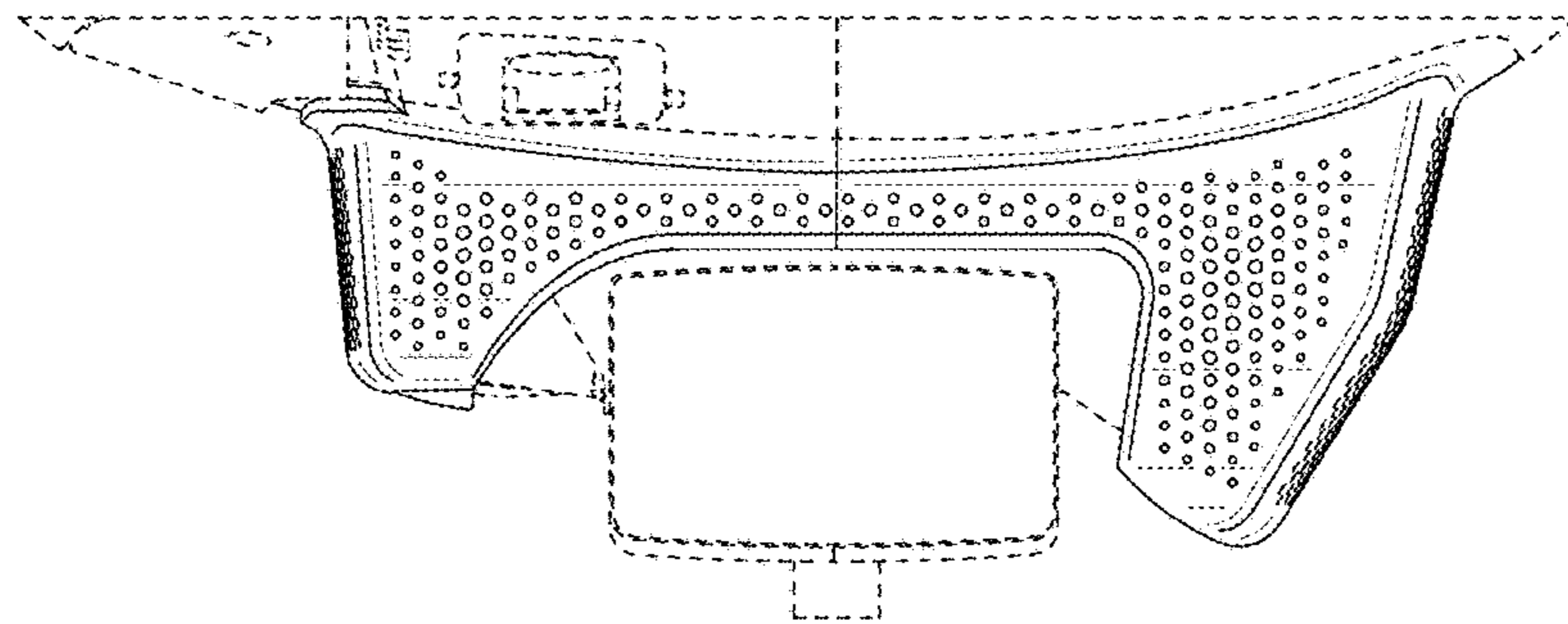


FIG. 9