



US00D856056S

(12) **United States Design Patent**
Knecht

(10) **Patent No.:** **US D856,056 S**

(45) **Date of Patent:** **** Aug. 13, 2019**

(54) **HEAD SUPPORT FOR SLEEPING WHILE SITTING**

(71) Applicant: **Mark Knecht**, Paducah, KY (US)

(72) Inventor: **Mark Knecht**, Paducah, KY (US)

(**) Term: **15 Years**

(21) Appl. No.: **29/608,499**

(22) Filed: **Jun. 22, 2017**

(51) **LOC (12) Cl.** **06-06**

(52) **U.S. Cl.**
USPC **D6/716.5**

(58) **Field of Classification Search**
USPC D6/716.5, 334-336, 356, 365, 367, 716,
D6/716.4
CPC B60N 2/48; B60N 2/4805; B60N 2/2851;
B60N 2/4879; A47C 7/36; A47C 7/38;
A47C 7/383; A47C 20/00; A47C 20/02;
A01N 1/02

See application file for complete search history.

(56) **References Cited**

U.S. PATENT DOCUMENTS

D794,987 S * 8/2017 Toh D6/716.5
D794,988 S * 8/2017 Toh D6/716.5
D803,610 S * 11/2017 Jackow D6/716.5

* cited by examiner

Primary Examiner — Abraham Bahta

(74) *Attorney, Agent, or Firm* — Julie A. Tennyson;
Marcum Tennyson PLLC

(57) **CLAIM**

I claim the ornamental design for a head support for sleeping while sitting, as shown and described.

DESCRIPTION

FIG. 1 is a front view of the head support for sleeping while sitting showing my new design;
FIG. 2 is a right side view thereof;
FIG. 3 is a left side view thereof;
FIG. 4 is a top view thereof;
FIG. 5 is a bottom view thereof;
FIG. 6 is a back view thereof;
FIG. 7 is a front view of the head support wherein the insert of the head support is in an extended condition;
FIG. 8 is a right side view thereof;
FIG. 9 is a left side view thereof;
FIG. 10 is a top view thereof;
FIG. 11 is a bottom view thereof;
FIG. 12 is a back view thereof;
FIG. 13 is a perspective view thereof; and,
FIG. 14 is a perspective view of the head support without the insert being extended.

1 Claim, 14 Drawing Sheets

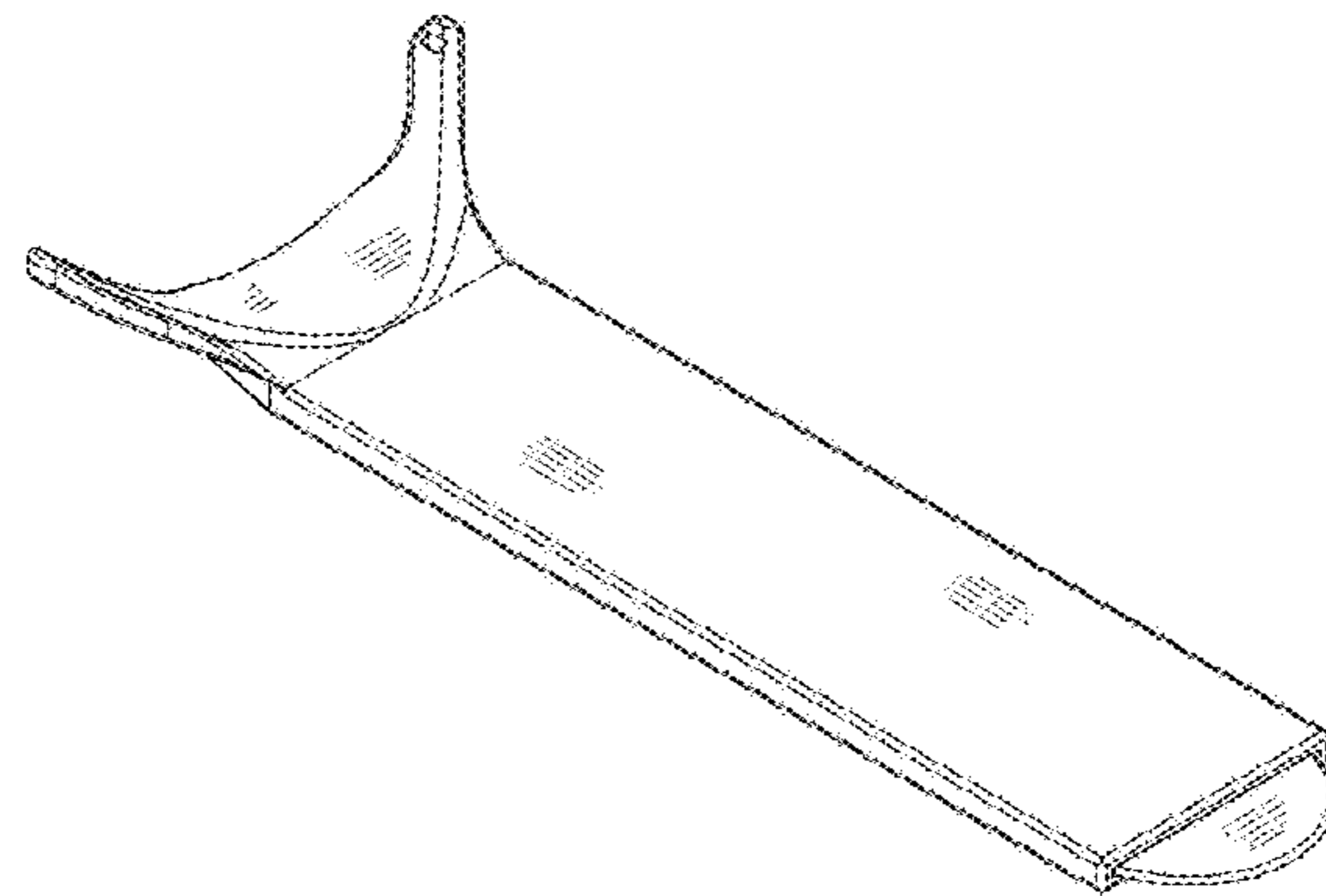
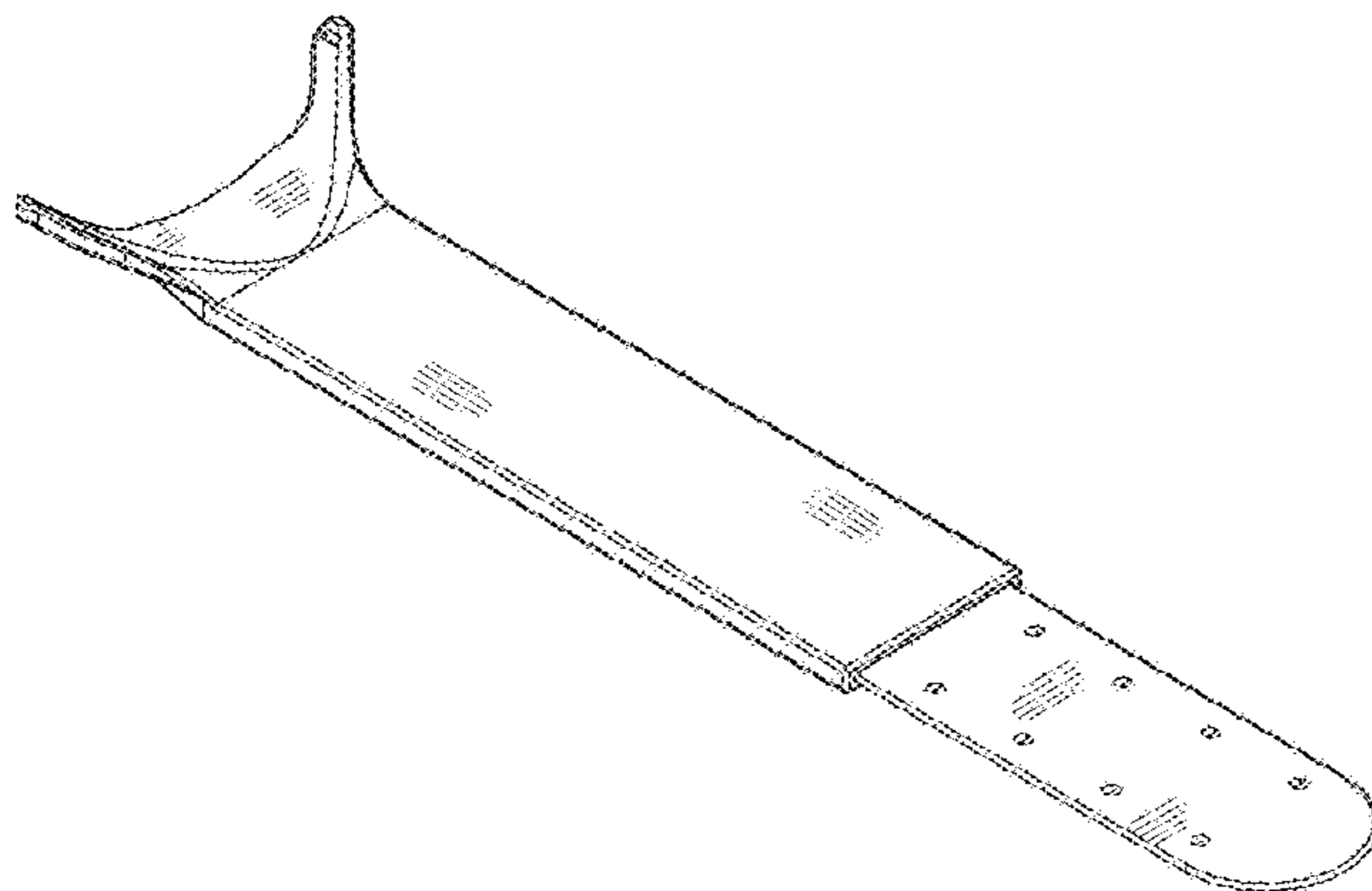


FIGURE 1

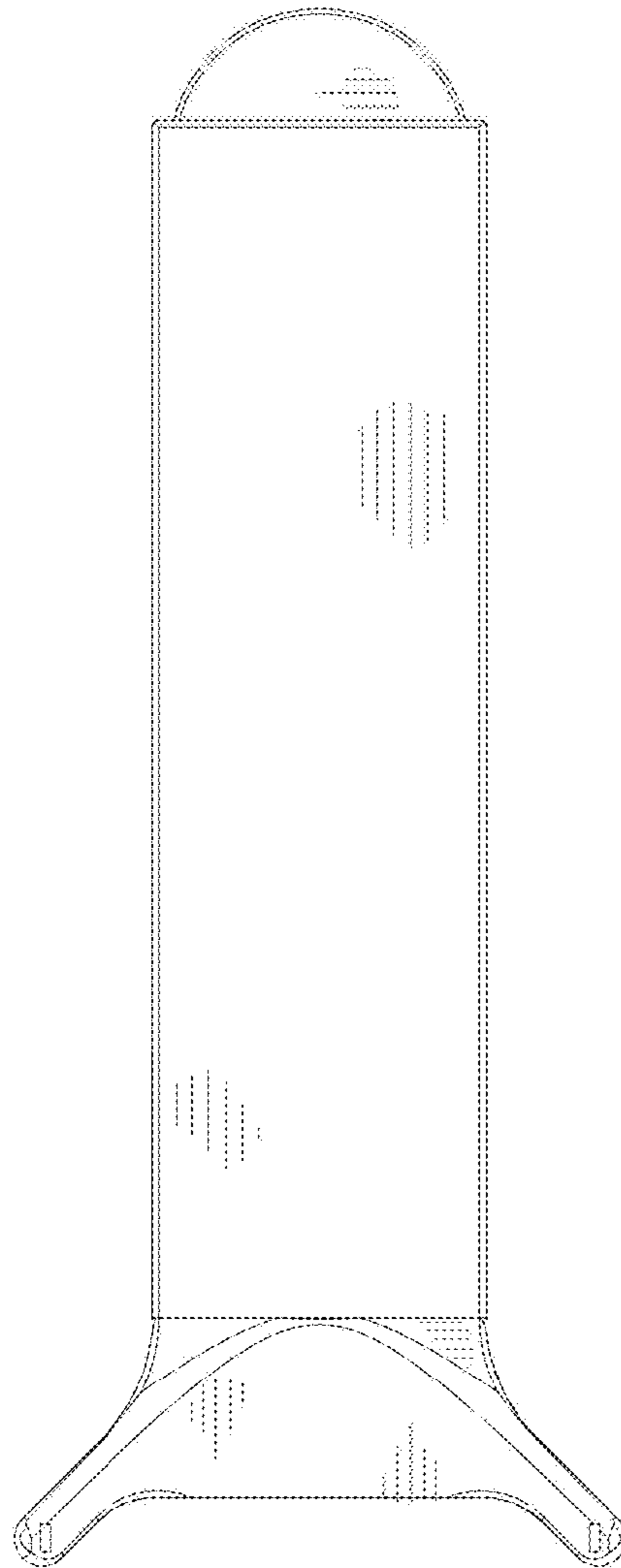


FIGURE 2

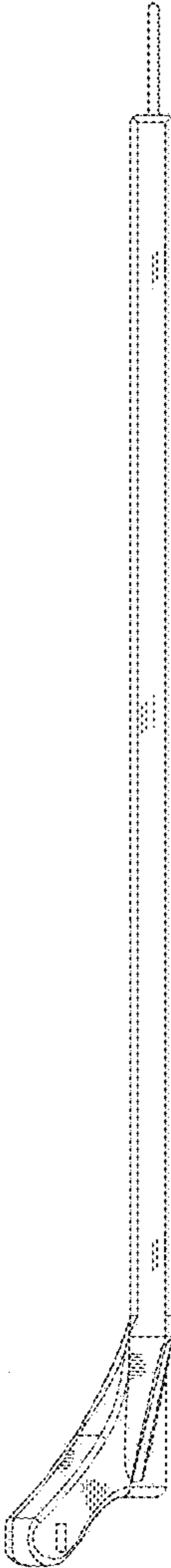


FIGURE 3

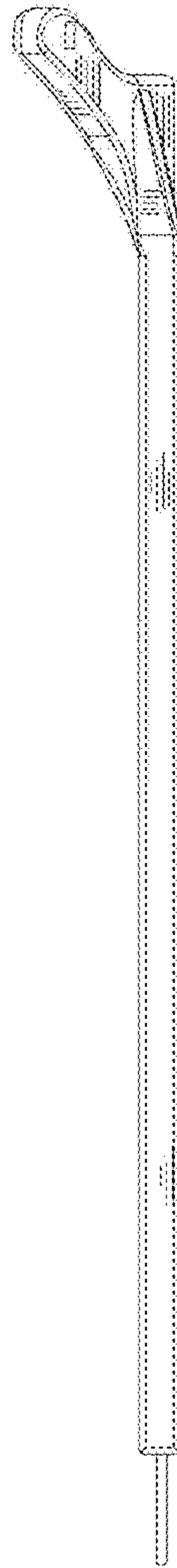


FIGURE 4



FIGURE 5

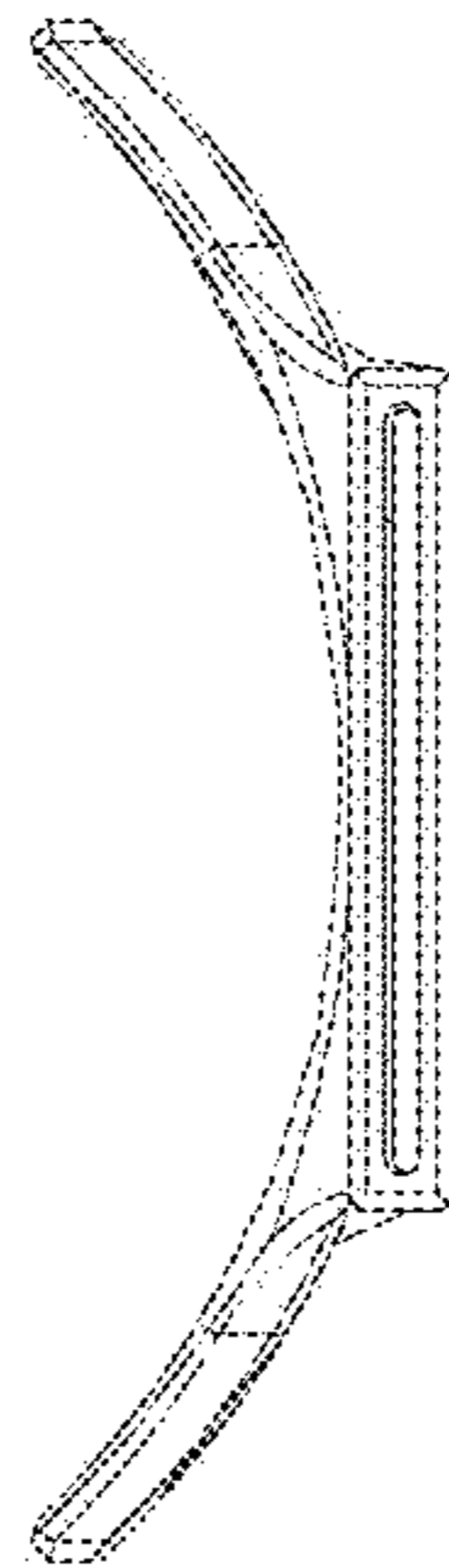


FIGURE 6

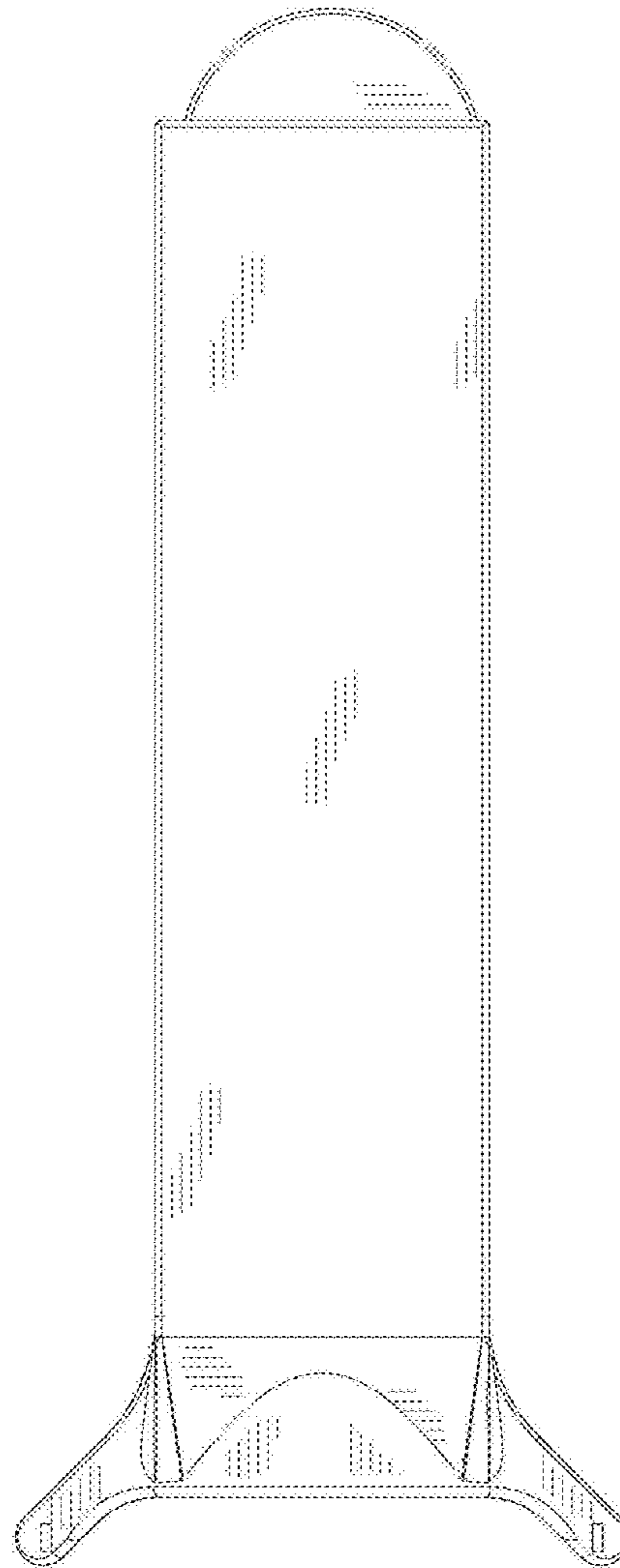


FIGURE 7

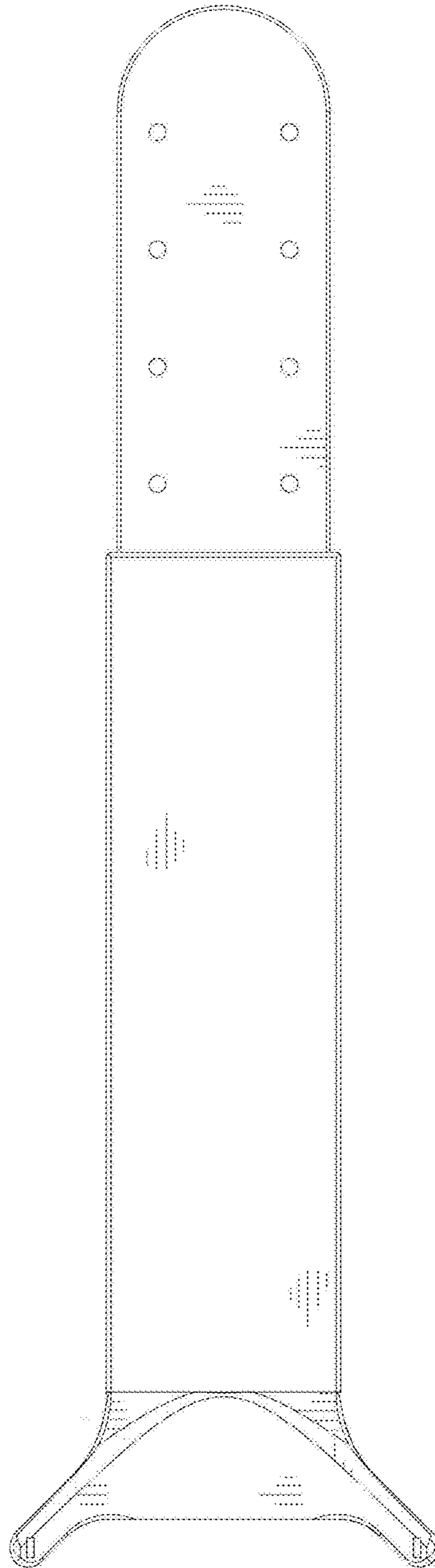


FIGURE 8

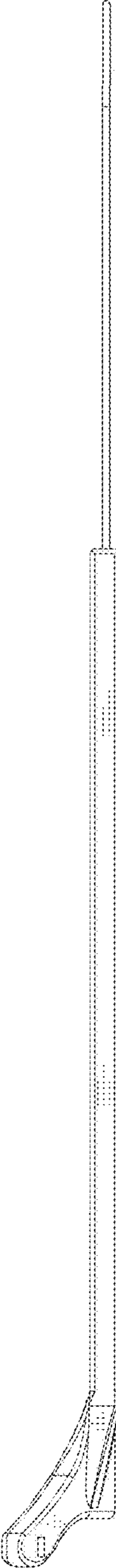


FIGURE 9

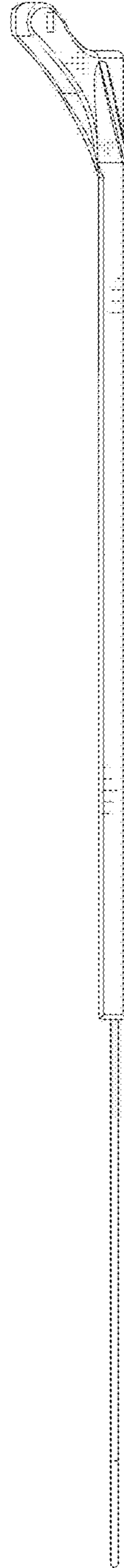


FIGURE 10



FIGURE 11

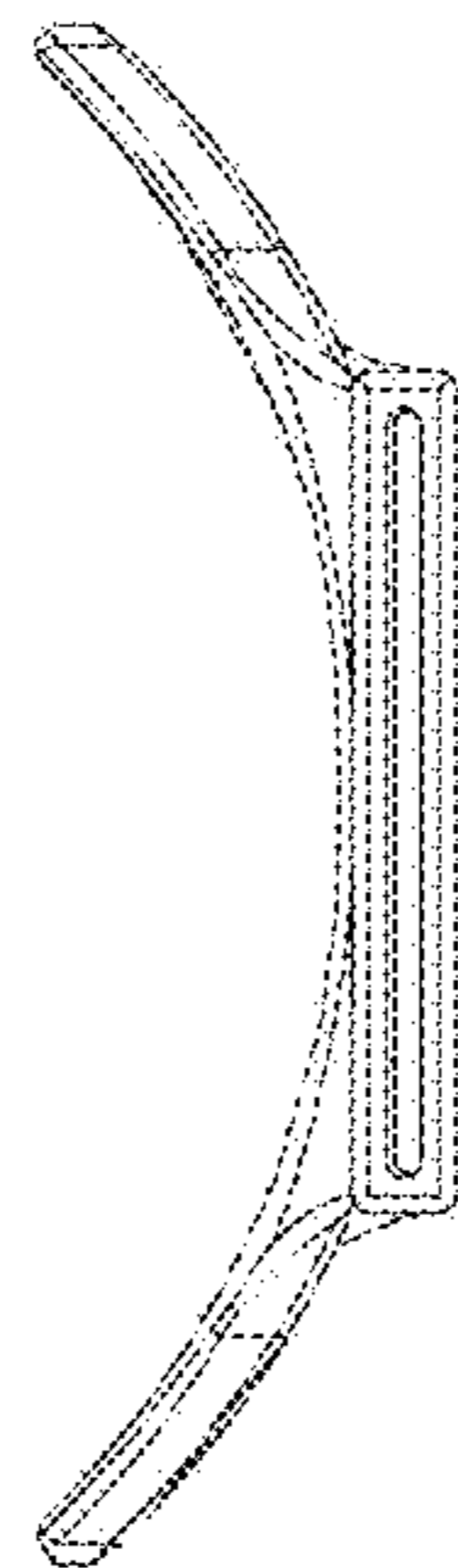


FIGURE 12

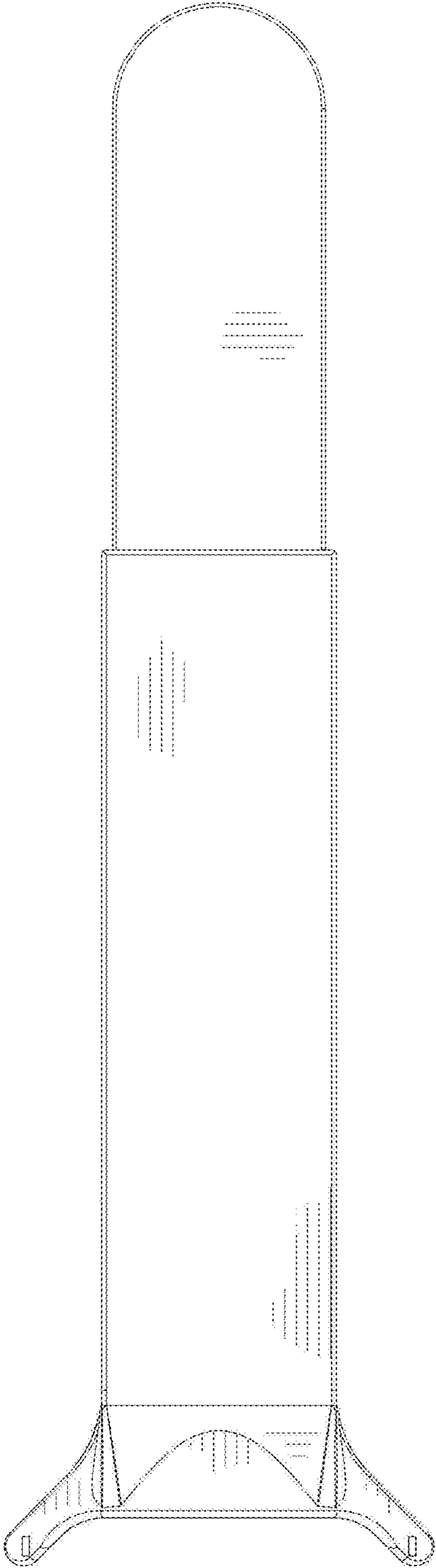


FIGURE 13

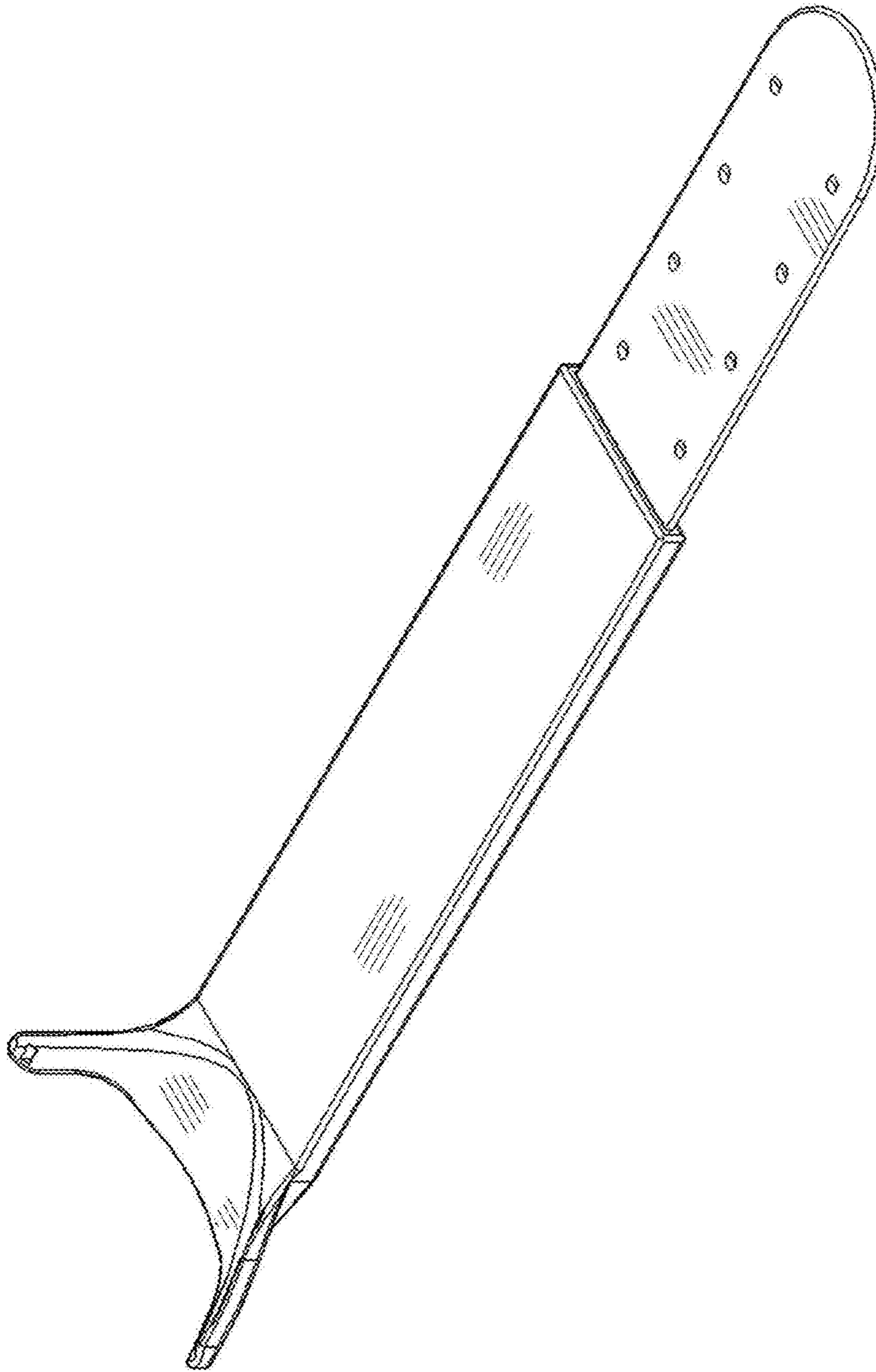


FIGURE 14

