



US00D856054S

(12) **United States Design Patent**
Reyes

(10) **Patent No.:** **US D856,054 S**
(45) **Date of Patent:** **** Aug. 13, 2019**

- (54) **CABINET DRAWER**
- (71) Applicant: **Edward Reyes, Vaughan (CA)**
- (72) Inventor: **Edward Reyes, Vaughan (CA)**
- (**) Term: **15 Years**
- (21) Appl. No.: **29/608,955**
- (22) Filed: **Jun. 27, 2017**

- 6,364,440 B2 * 4/2002 Donahue A47B 47/042
156/512
- D465,943 S * 11/2002 Prater D23/286
- D467,756 S * 12/2002 Mattick D6/671.1
- D477,474 S * 7/2003 Milligan D6/671.1
- D479,058 S * 9/2003 Walker D6/671
- D523,660 S * 6/2006 Bruce D23/286
- D523,661 S * 6/2006 Bruce D23/286
- D524,078 S * 7/2006 Bruce D23/286
- D526,143 S * 8/2006 Bruce D23/286
- D534,370 S * 1/2007 Charnik D6/671.1
- D534,998 S * 1/2007 Charnik D23/286

(Continued)

Related U.S. Application Data

- (63) Continuation-in-part of application No. 29/589,091, filed on Dec. 28, 2016, now Pat. No. Des. 820,010, which is a continuation-in-part of application No. 29/607,724, filed on Jun. 15, 2017.
- (51) **LOC (12) Cl.** **06-06**
- (52) **U.S. Cl.**
USPC **D6/705.5**
- (58) **Field of Classification Search**
USPC D6/382, 663, 671, 671.1, 675, 702, 703,
D6/705.5; D23/286
CPC A47B 43/00; A47B 47/042; A47B 77/06;
A47B 2220/03; Y10S 292/21
See application file for complete search history.

References Cited

U.S. PATENT DOCUMENTS

- 1,319,603 A * 10/1919 Monfet E05B 65/0007
292/DIG. 21
- D146,861 S * 6/1947 Kneeland 108/25
- D158,930 S * 6/1950 Burgold 312/303
- D197,723 S * 3/1964 Mager D6/671.1
- 3,644,011 A * 2/1972 MacDonald A47B 43/00
312/258
- D241,489 S * 9/1976 Karlin D6/663
- D300,487 S * 4/1989 Dyer D34/19
- D341,737 S * 11/1993 Shepherd D6/671.1
- D412,629 S * 8/1999 Zaidman D6/671.1
- D437,147 S * 2/2001 Ungaro D6/671.1

OTHER PUBLICATIONS

“Hampton Assembled 30×34.5×24 in. Pots and Pans Drawer Base Kitchen Cabinet in Medium Oak” Jun. 18, 2017, homedepot.com, site visited Feb. 14, 2019 <<https://www.homedepot.com/p/Hampton-Bay-Hampton-Assembled-30x34-5x24-in-Pots-and-Pans-Drawer-Base-Kitchen-Cabinet-in-Medium-Oak-KDB30-MO/301357991>> (Year: 2017).*

(Continued)

Primary Examiner — Kevin K Rudzinski
Assistant Examiner — Paul D Bohannon

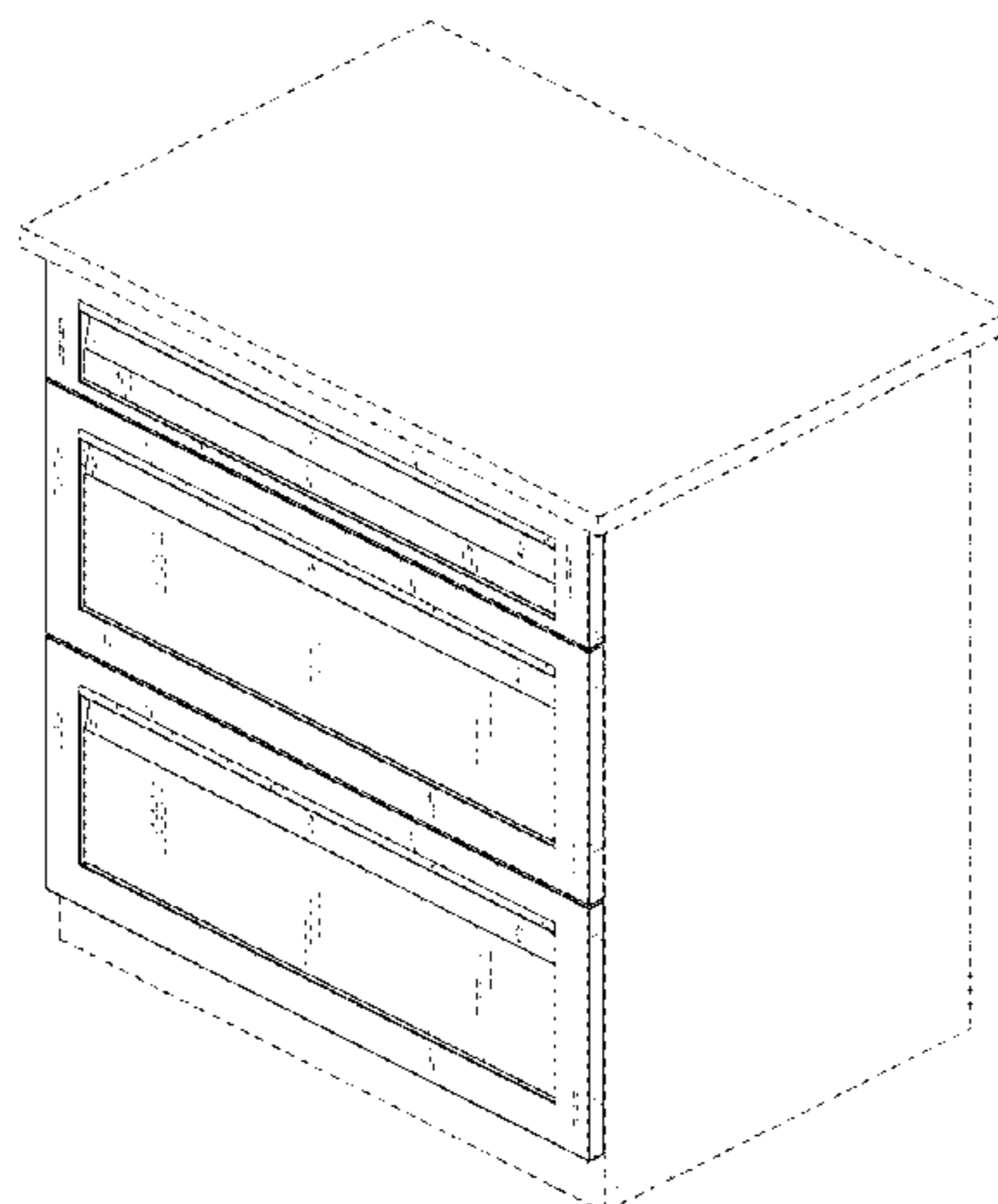
(57) **CLAIM**

The ornamental design for a cabinet drawer, as shown and described.

DESCRIPTION

FIG. 1 is a top perspective view of the cabinet drawer of the present invention;
FIG. 2 is a bottom perspective view thereof;
FIG. 3 is a front elevation view thereof;
FIG. 4 is a right side elevation view thereof; and,
FIG. 5 is a bottom plan view thereof.
The broken line showing of a counter top and cabinet is included for the purpose of illustrating environmental structure and forms no part of the claimed design.

1 Claim, 5 Drawing Sheets



(56)

References Cited

U.S. PATENT DOCUMENTS

D553,880 S * 10/2007 Lewis D6/671.1
D594,674 S * 6/2009 Walker D6/671.1
7,748,798 B2 * 7/2010 Letourneau A47B 43/00
312/228
D722,241 S * 2/2015 Chen D6/671.1
D741,094 S * 10/2015 Martell D6/702
D760,518 S * 7/2016 Shah D6/703
9,468,305 B2 * 10/2016 Flora A47C 17/58
D792,132 S * 7/2017 Peota D6/675
D804,863 S * 12/2017 Chen D6/671
D820,010 S * 6/2018 Reyes D6/663

OTHER PUBLICATIONS

“Base 2 Drawer Base Kitchen Cabinet” Dec. 22, 2008, cabinetauthority.com, site visited Feb. 14, 2019 <http://www.cabinetauthority.com/base_cabinets.php> (Year: 2008).*

* cited by examiner

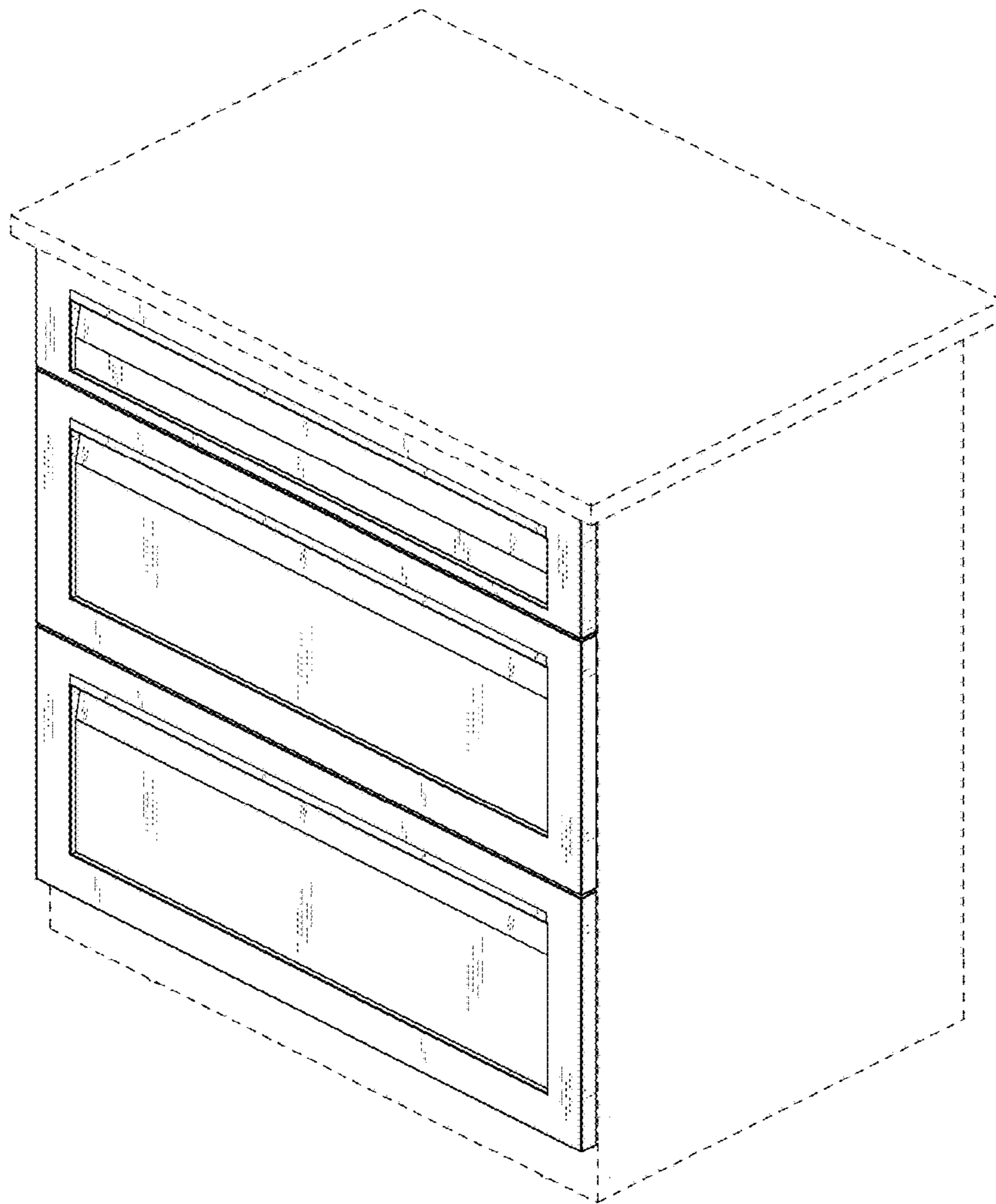


FIG. 1

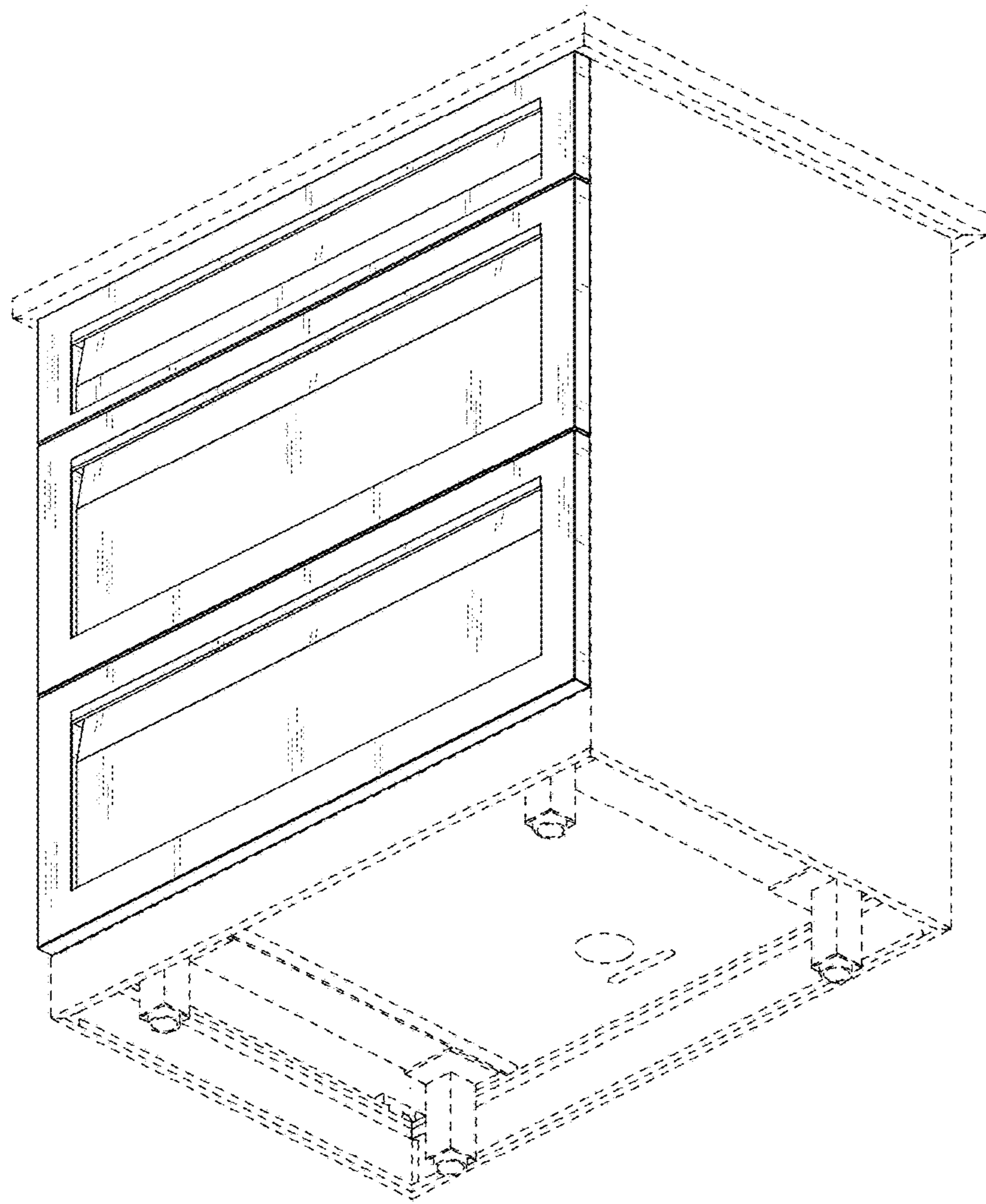


FIG. 2

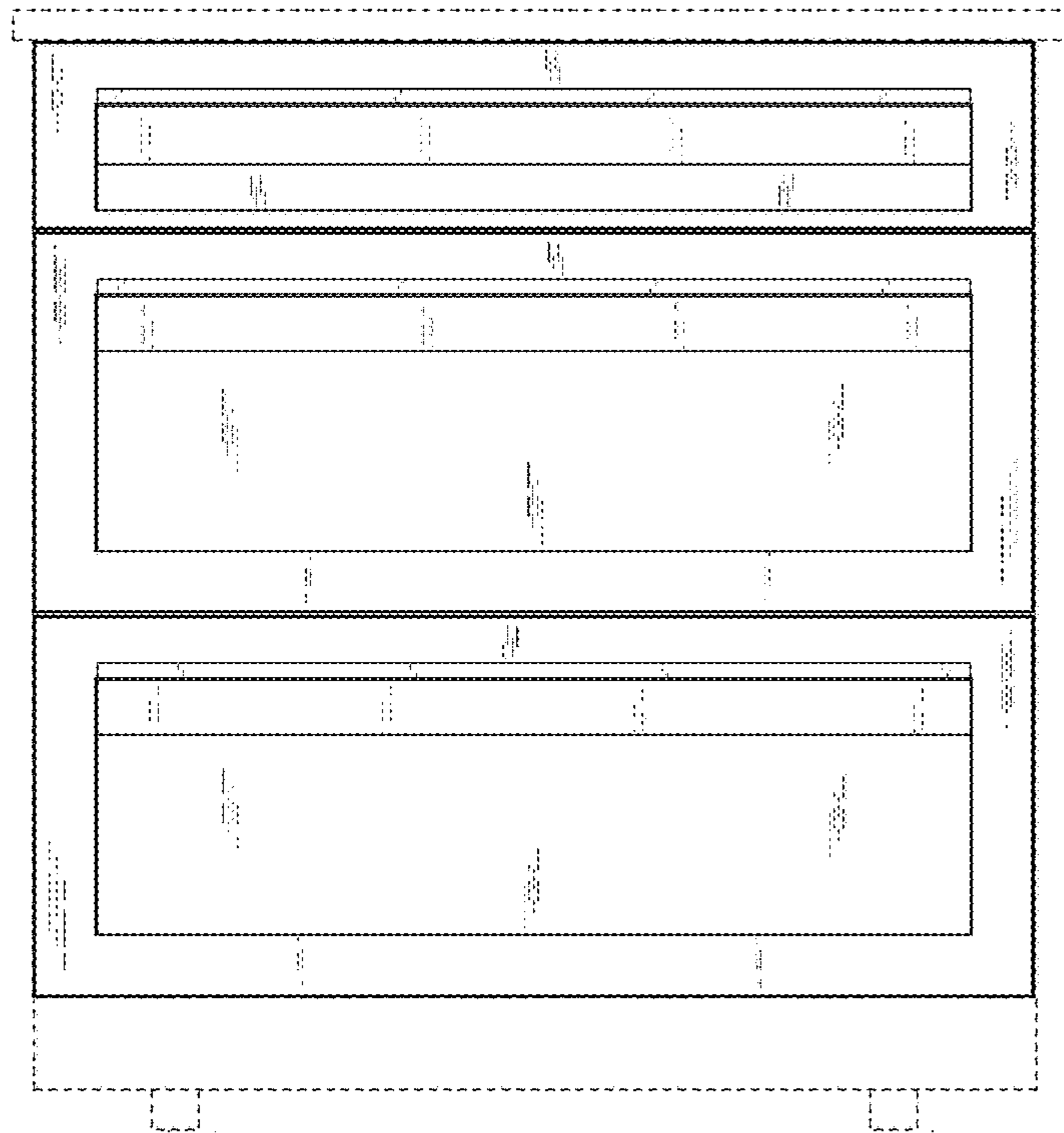


FIG. 3

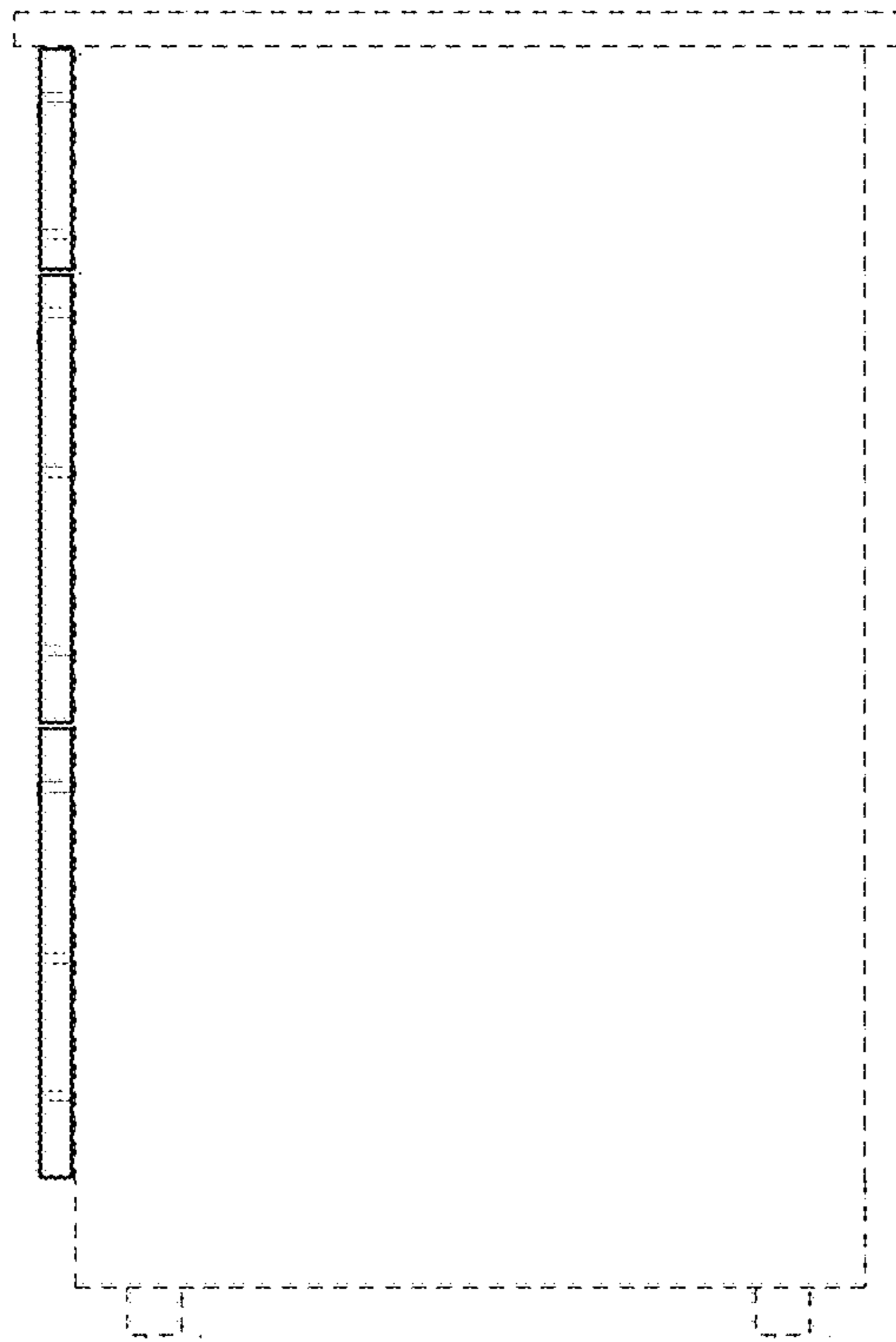


FIG. 4

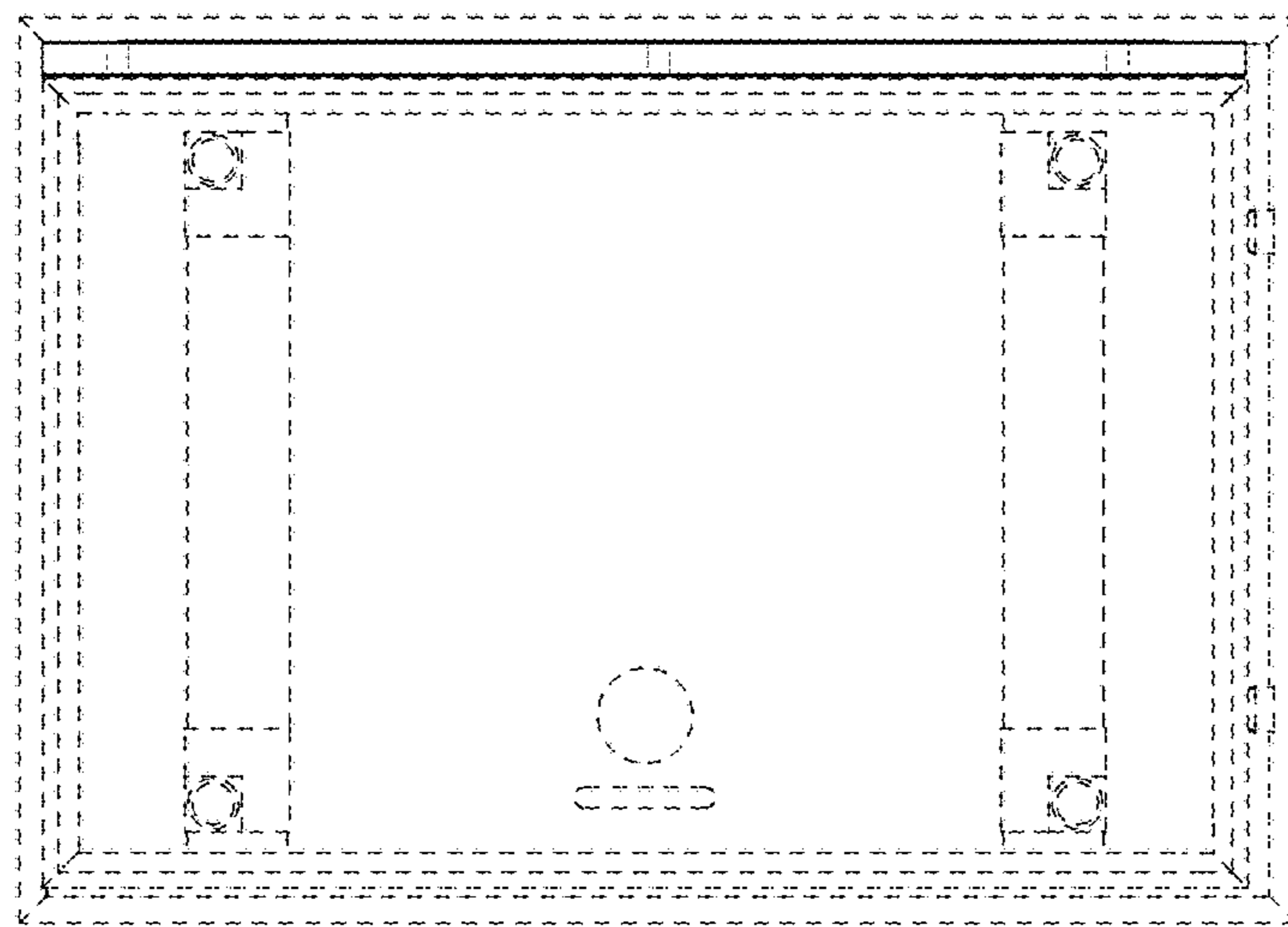


FIG. 5