



US00D856053S

(12) **United States Design Patent** (10) **Patent No.:** **US D856,053 S**  
**Reyes** (45) **Date of Patent:** **\*\* Aug. 13, 2019**

(54) **CABINET DOOR**  
(71) Applicant: **Edward Reyes, Vaughan (CA)**  
(72) Inventor: **Edward Reyes, Vaughan (CA)**  
(\*\*) Term: **15 Years**  
(21) Appl. No.: **29/607,724**  
(22) Filed: **Jun. 15, 2017**

5,622,416 A \* 4/1997 Rainey ..... A47B 96/00  
292/255  
D412,629 S \* 8/1999 Zaidman ..... D6/671.1  
D437,147 S \* 2/2001 Ungaro ..... D6/671.1  
6,364,440 B2 \* 4/2002 Donahue ..... A47B 47/042  
156/512

(Continued)

**Related U.S. Application Data**

(63) Continuation-in-part of application No. 29/589,091,  
filed on Dec. 28, 2016, now Pat. No. Des. 820,010.  
(51) **LOC (12) Cl.** ..... **06-04**  
(52) **U.S. Cl.**  
USPC ..... **D6/703**  
(58) **Field of Classification Search**  
USPC ..... D6/382, 663, 671, 671.1, 675, 702, 703;  
D23/286  
CPC ... A47B 47/042; A47B 77/06; A47B 2220/03;  
Y10S 292/21  
See application file for complete search history.

**OTHER PUBLICATIONS**

“2 Door Outdoor Kitchen Cabinet G40001 4 Life Outdoor Inc” Oct.  
16, 2018 davegeeblog.com, site visited Feb. 14, 2019 <<http://www.davegeeblog.com/outdoor-cabinet-doors/d35b6/picture/2-door-outdoor-kitchen-cabinet-g40001-4-life-outdoor-inc.htm>> (Year: 2018).\*

*Primary Examiner* — Kevin K Rudzinski  
*Assistant Examiner* — Paul D Bohannon

(57) **CLAIM**

The ornamental design for a cabinet door, as shown and described.

**DESCRIPTION**

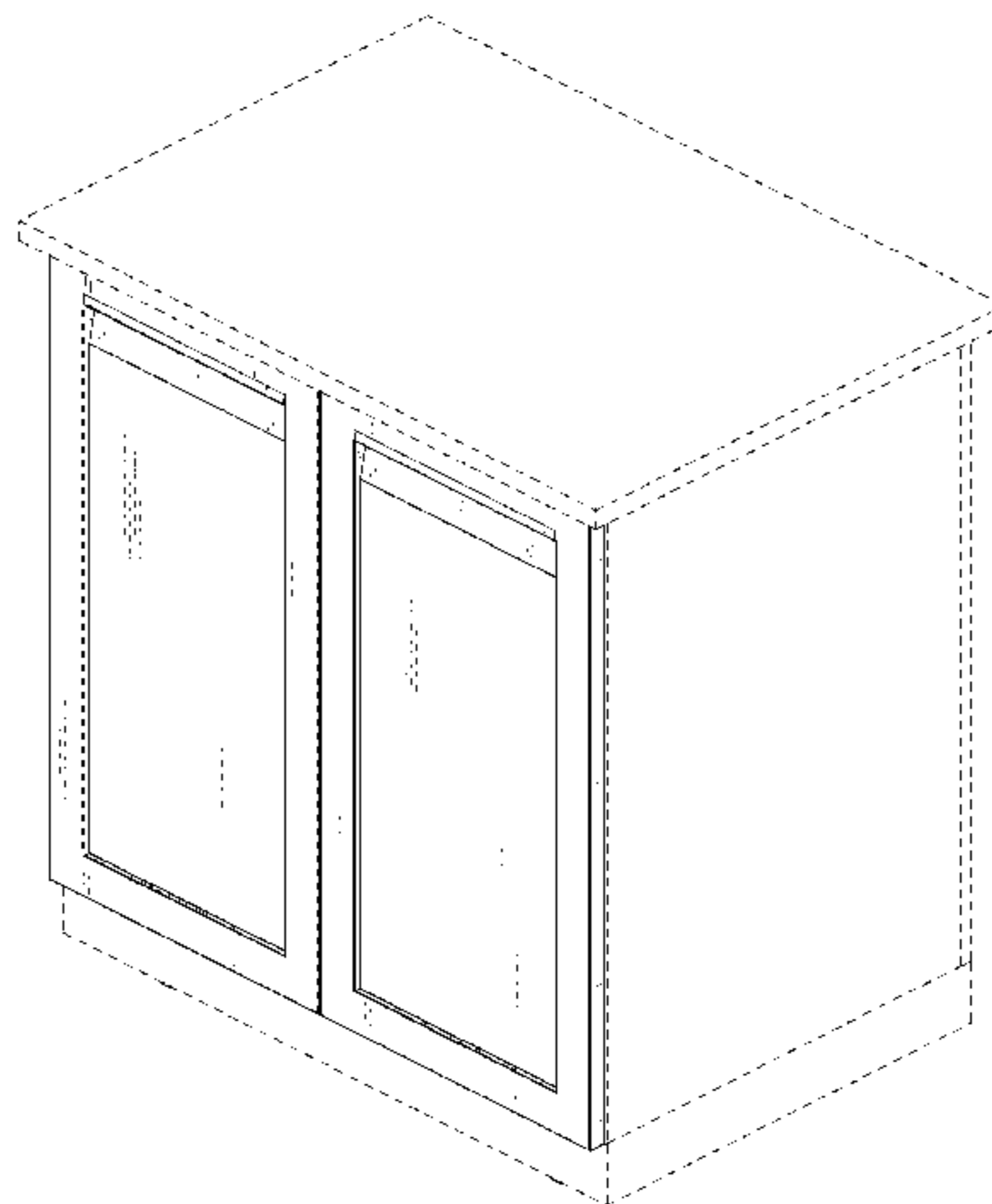
FIG. 1 is a top perspective view of a first embodiment of the cabinet door of the present invention;  
FIG. 2 is a bottom perspective view thereof;  
FIG. 3 is a front elevation view thereof;  
FIG. 4 is a right side elevation view thereof;  
FIG. 5 is a left side elevation view thereof;  
FIG. 6 is a bottom plan view thereof;  
FIG. 7 is a top perspective view of a second embodiment of the cabinet door of the present invention;  
FIG. 8 is a bottom perspective view thereof;  
FIG. 9 is a front elevation view thereof;  
FIG. 10 is a right side elevation view thereof;  
FIG. 11 is a left side elevation view thereof; and,  
FIG. 12 is a bottom plan view thereof.  
The broken line showing of a counter top and cabinet is included for the purpose of illustrating environmental structure and forms no part of the claimed design.

(56) **References Cited**

**U.S. PATENT DOCUMENTS**

1,319,603 A \* 10/1919 Monfet ..... E05B 65/0007  
292/DIG. 21  
1,696,123 A \* 12/1928 Packer ..... E05D 7/081  
312/329  
1,884,412 A \* 10/1932 Virchow ..... A47B 77/10  
108/38  
D146,861 S \* 6/1947 Kneeland ..... 108/25  
D158,930 S \* 6/1950 Burgold ..... 312/303  
D197,723 S \* 3/1964 Mager ..... D6/671.1  
3,644,011 A \* 2/1972 MacDonald ..... A47B 43/00  
312/258  
D241,489 S \* 9/1976 Karlin ..... D6/663  
4,412,708 A \* 11/1983 Palka ..... E05D 7/081  
16/378  
D300,487 S \* 4/1989 Dyer ..... D34/19

**1 Claim, 12 Drawing Sheets**



(56)

## References Cited

## U.S. PATENT DOCUMENTS

D465,943 S \* 11/2002 Prater ..... D23/286  
D467,756 S \* 12/2002 Mattick ..... D6/671.1  
D477,474 S \* 7/2003 Milligan ..... D6/671.1  
D479,058 S \* 9/2003 Walker ..... D6/671  
D523,660 S \* 6/2006 Bruce ..... D23/286  
D523,661 S \* 6/2006 Bruce ..... D23/286  
D524,078 S \* 7/2006 Bruce ..... D23/286  
D526,143 S \* 8/2006 Bruce ..... D23/286  
D534,370 S \* 1/2007 Charnik ..... D6/671.1  
D534,998 S \* 1/2007 Charnik ..... D23/286  
D594,674 S \* 6/2009 Walker ..... D6/671.1  
7,748,798 B2 \* 7/2010 LeTourneau ..... A47B 43/00  
312/228  
8,379,840 B2 \* 2/2013 Scherling ..... G06F 1/1624  
379/433.12  
8,517,323 B1 \* 8/2013 Gregory ..... A47J 47/16  
108/26  
D722,241 S \* 2/2015 Chen ..... D6/671.1  
D741,094 S \* 10/2015 Martell ..... D6/702  
D760,518 S \* 7/2016 Shah ..... D6/703  
9,468,305 B2 \* 10/2016 Flora ..... A47C 17/58  
D792,132 S \* 7/2017 Peota ..... D6/675  
D804,863 S \* 12/2017 Chen ..... D6/671  
D820,010 S \* 6/2018 Reyes ..... D6/663  
10,145,158 B2 \* 12/2018 Grela ..... E06B 3/5045

\* cited by examiner

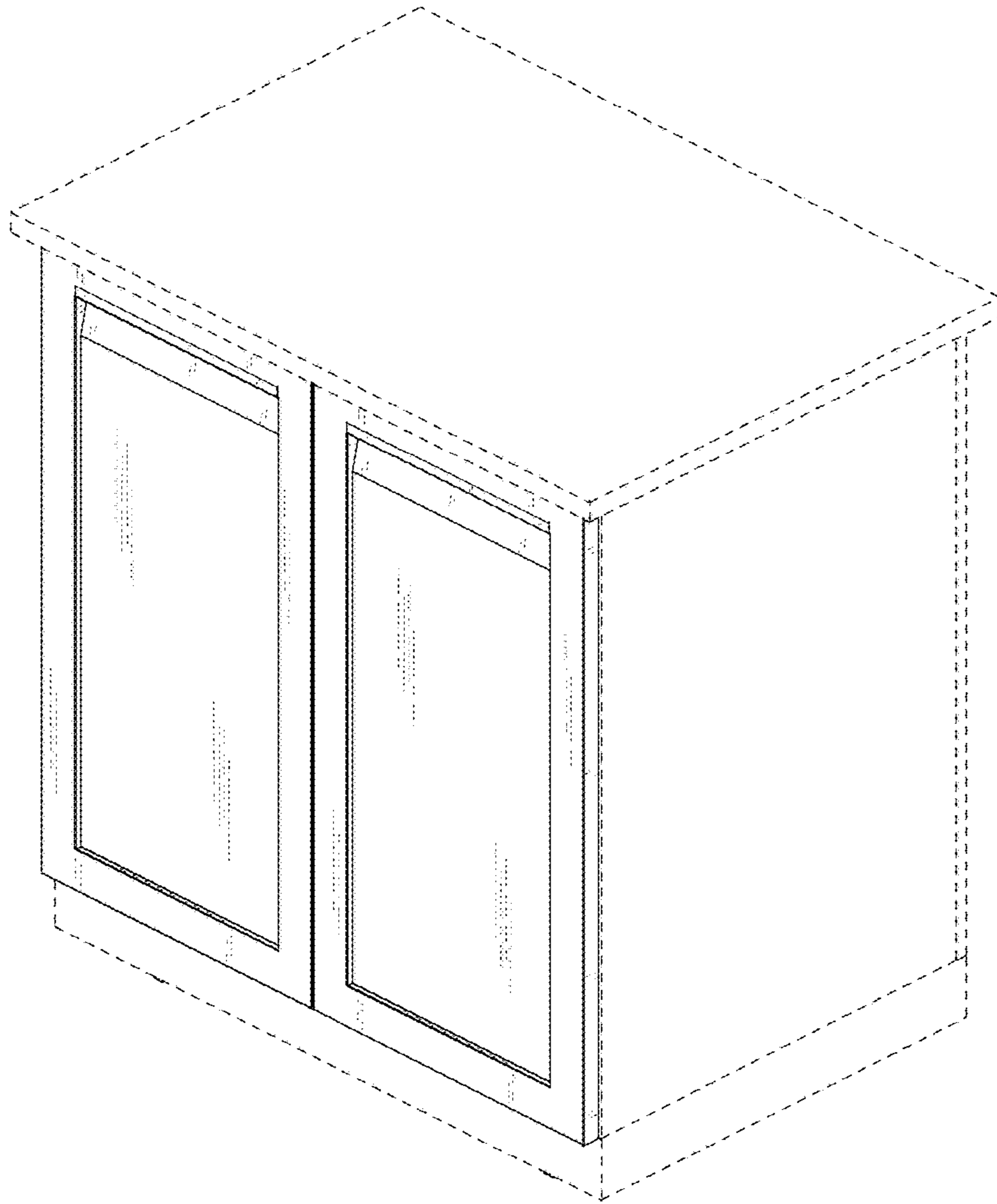


FIG. 1

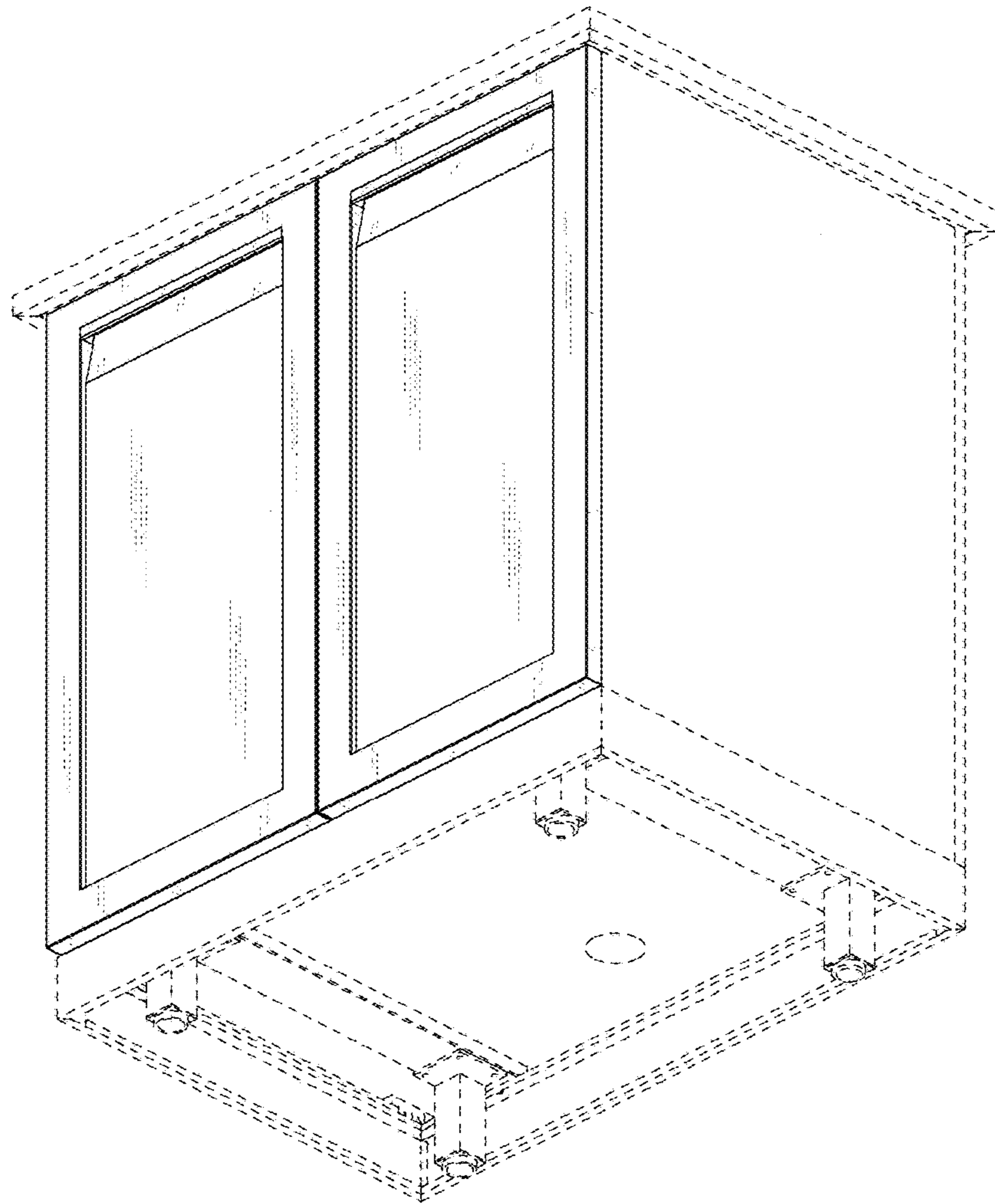


FIG. 2

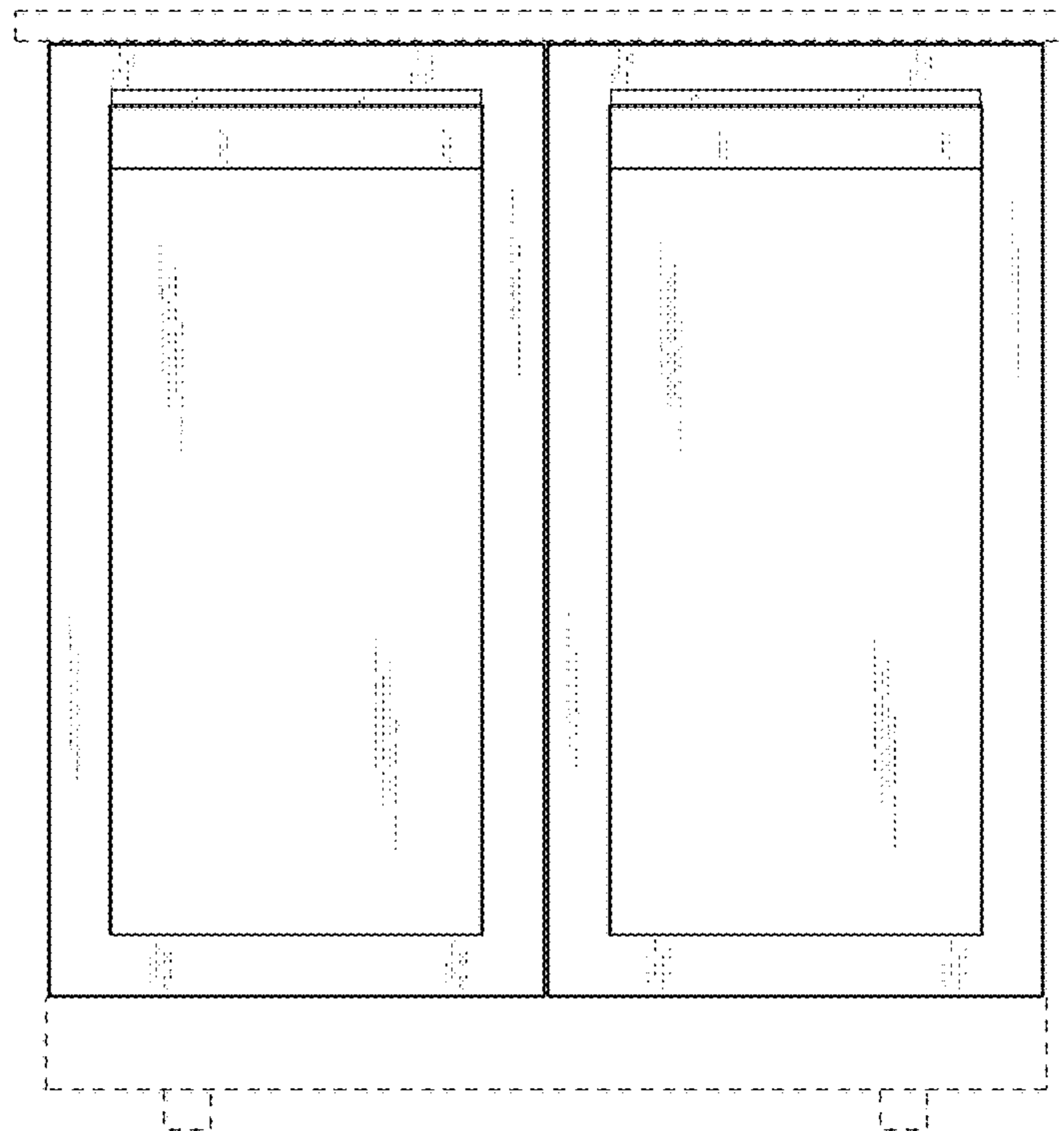


FIG. 3

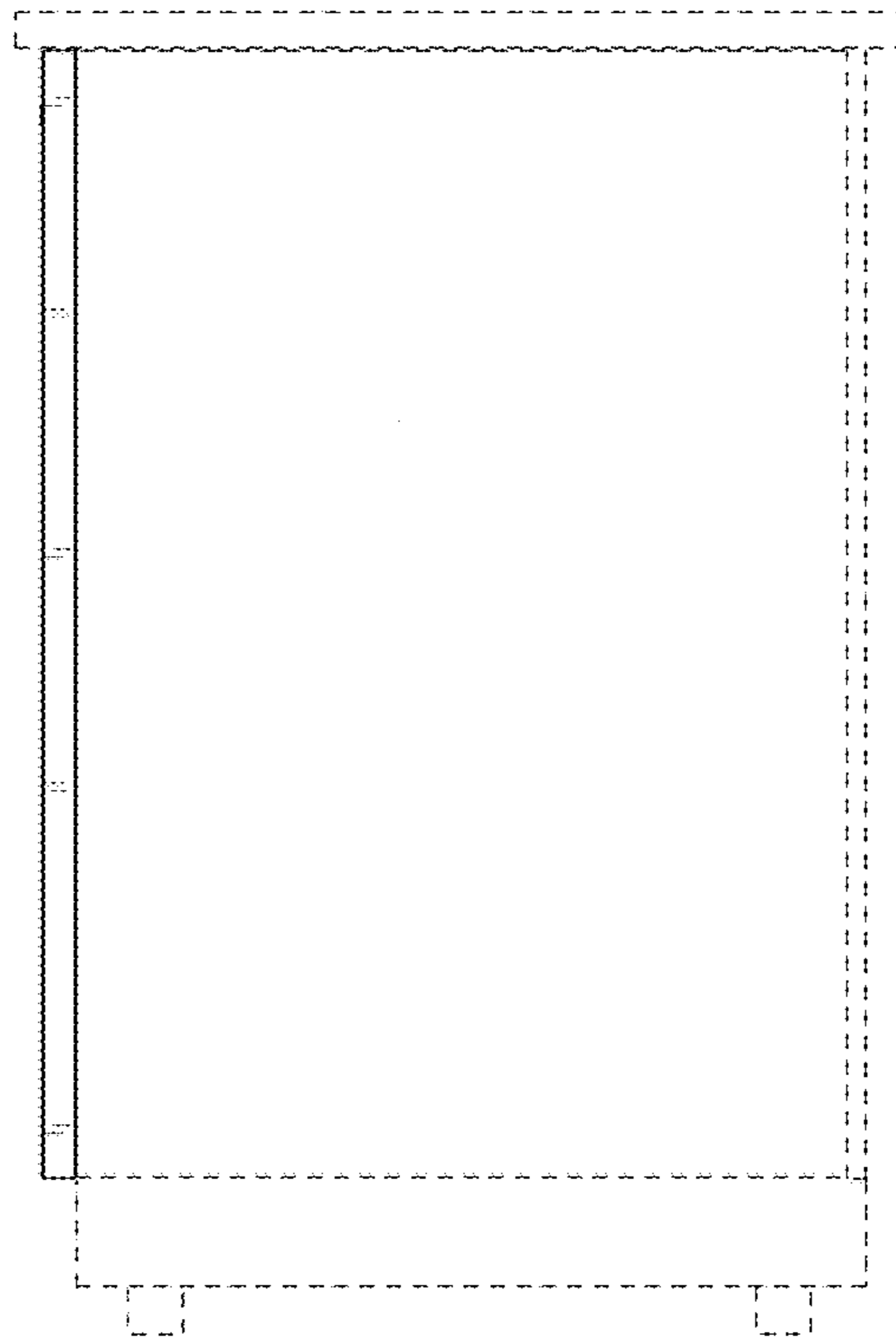


FIG. 4

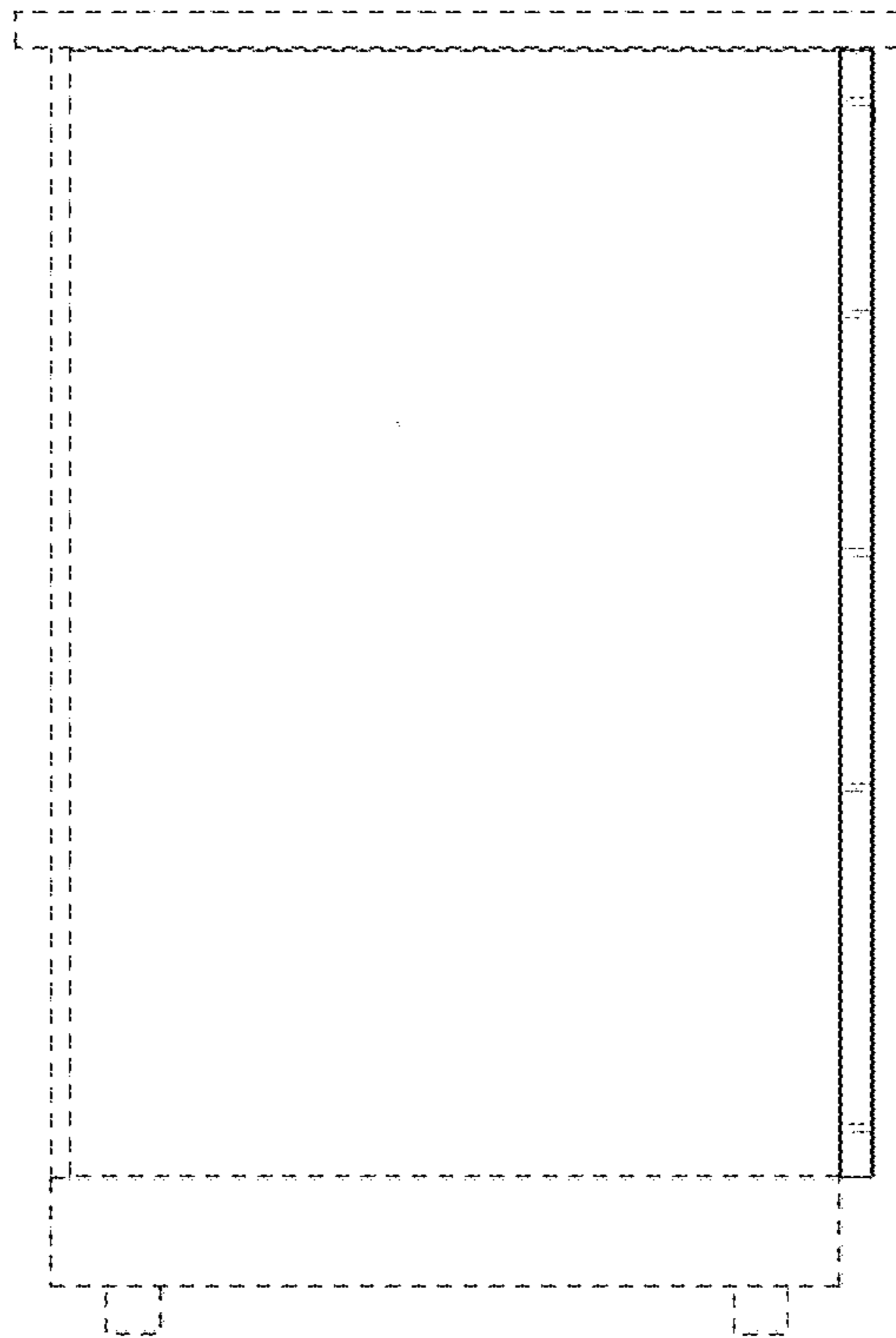


FIG. 5

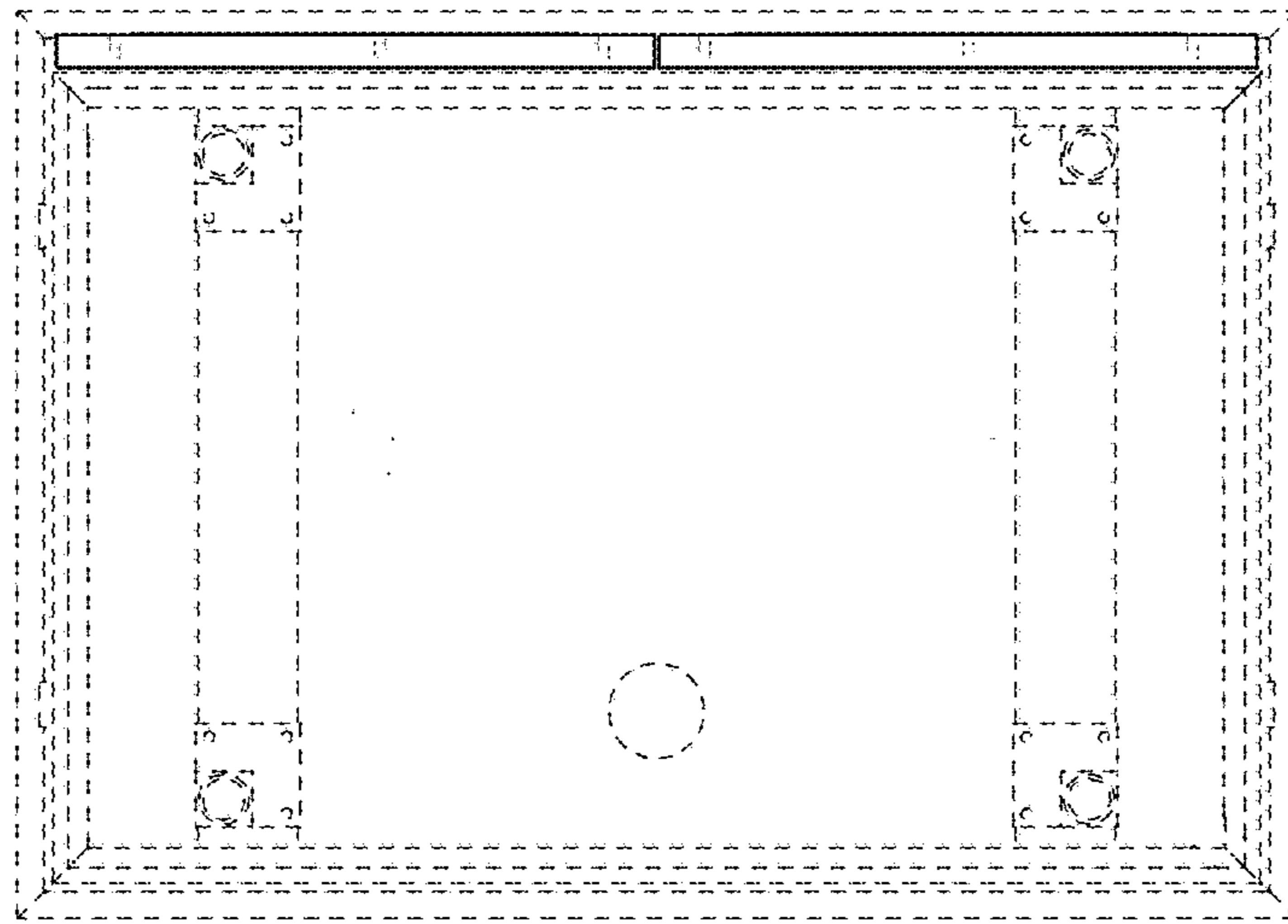


FIG. 6



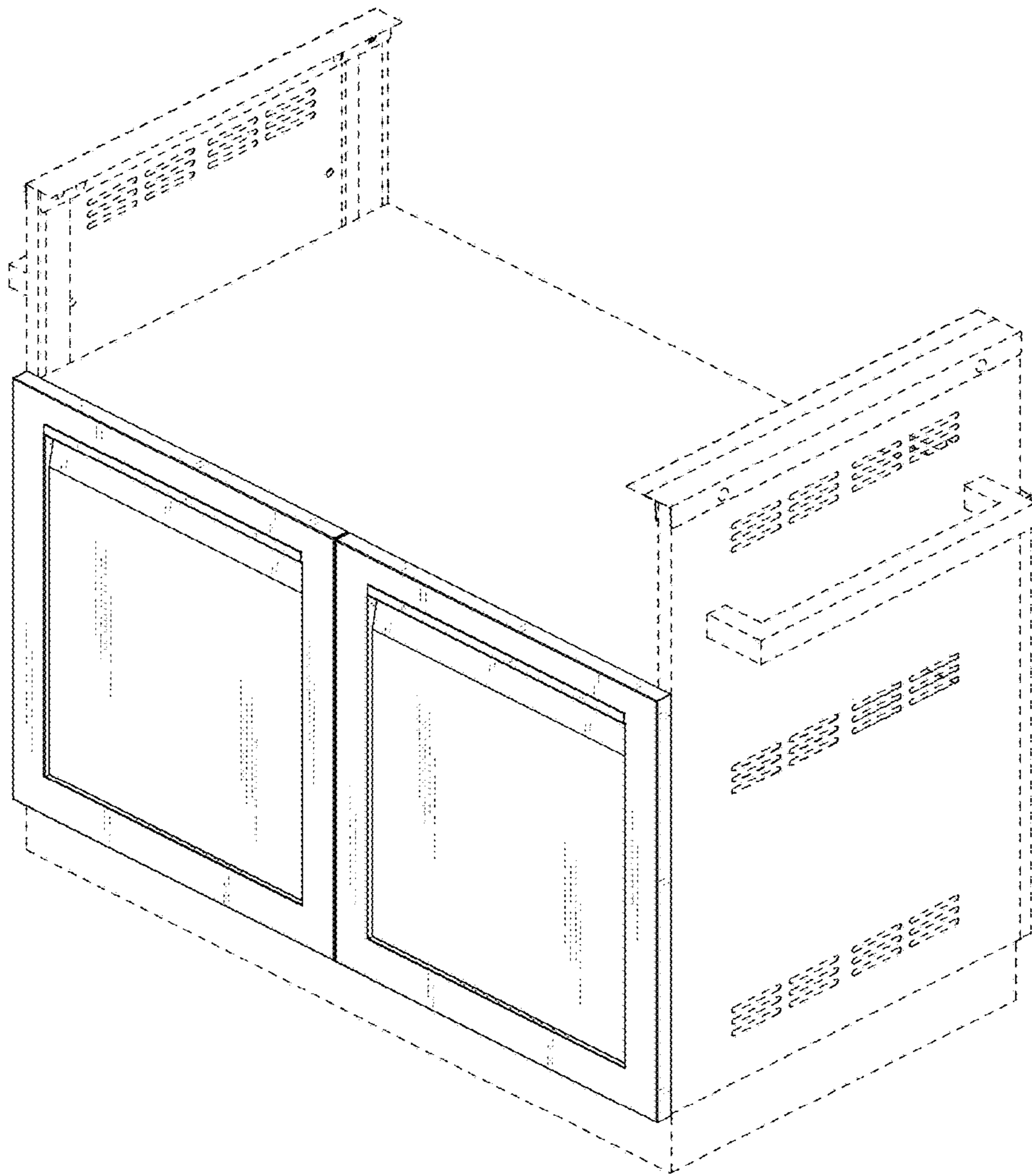


FIG. 7

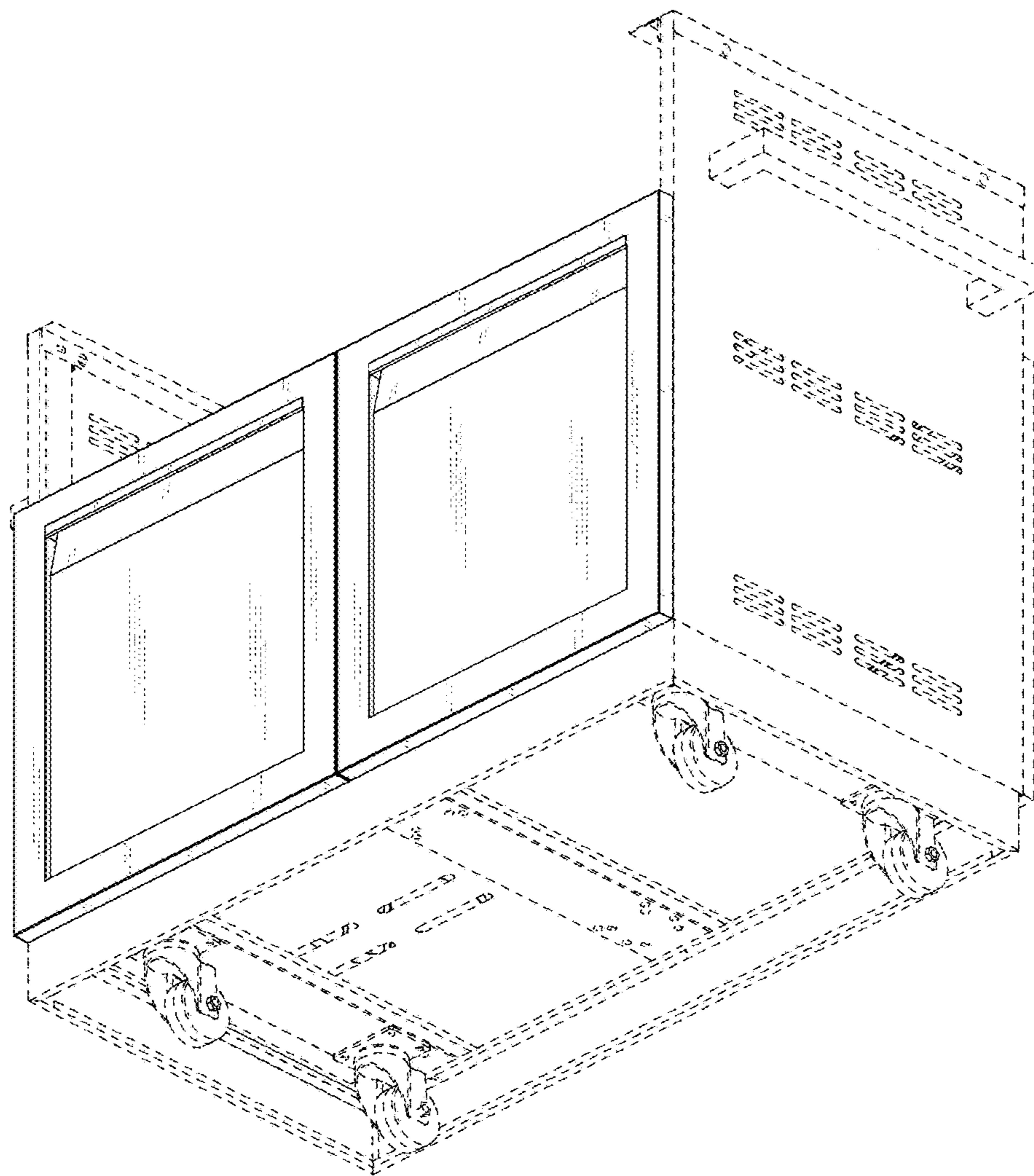


FIG. 8

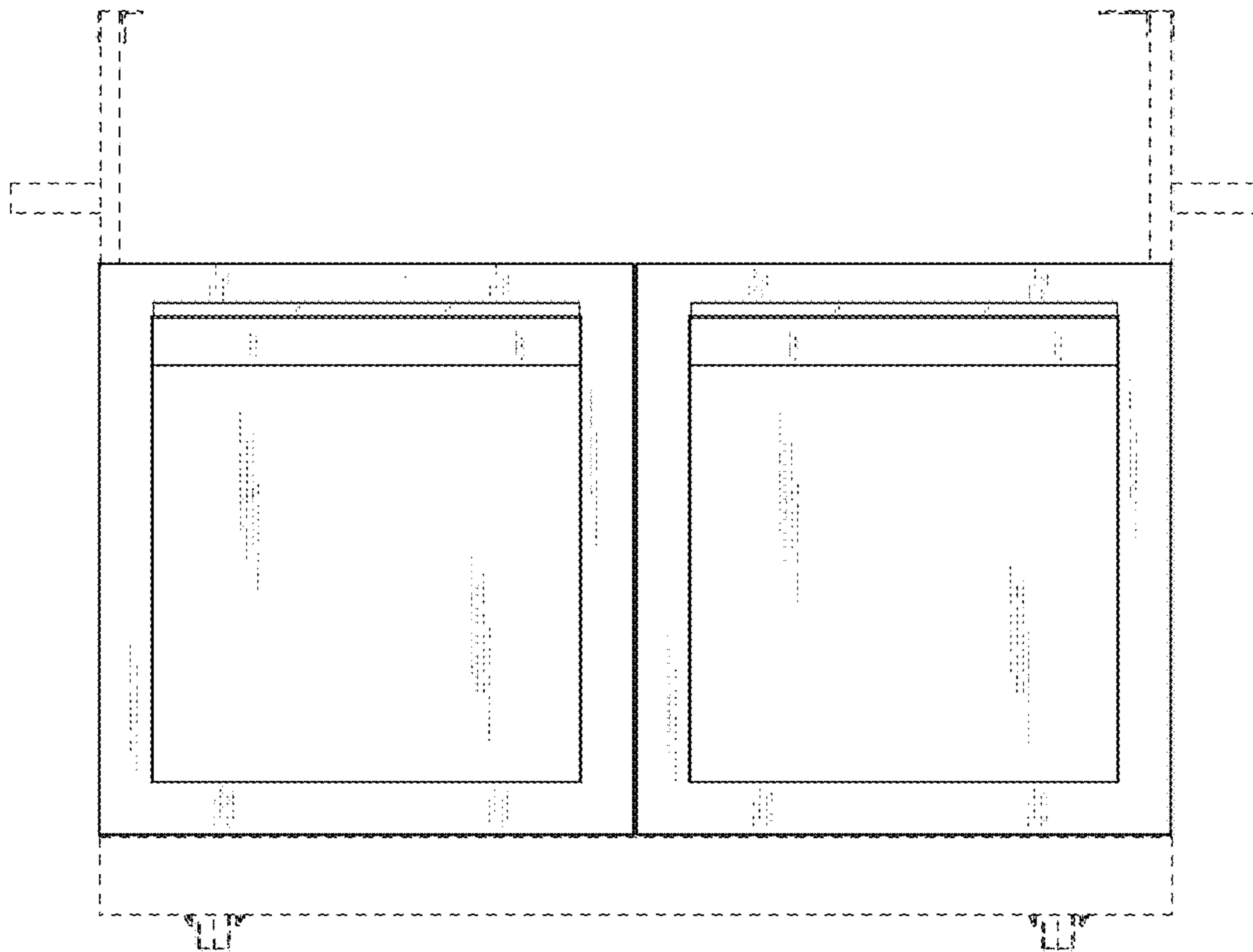


FIG. 9

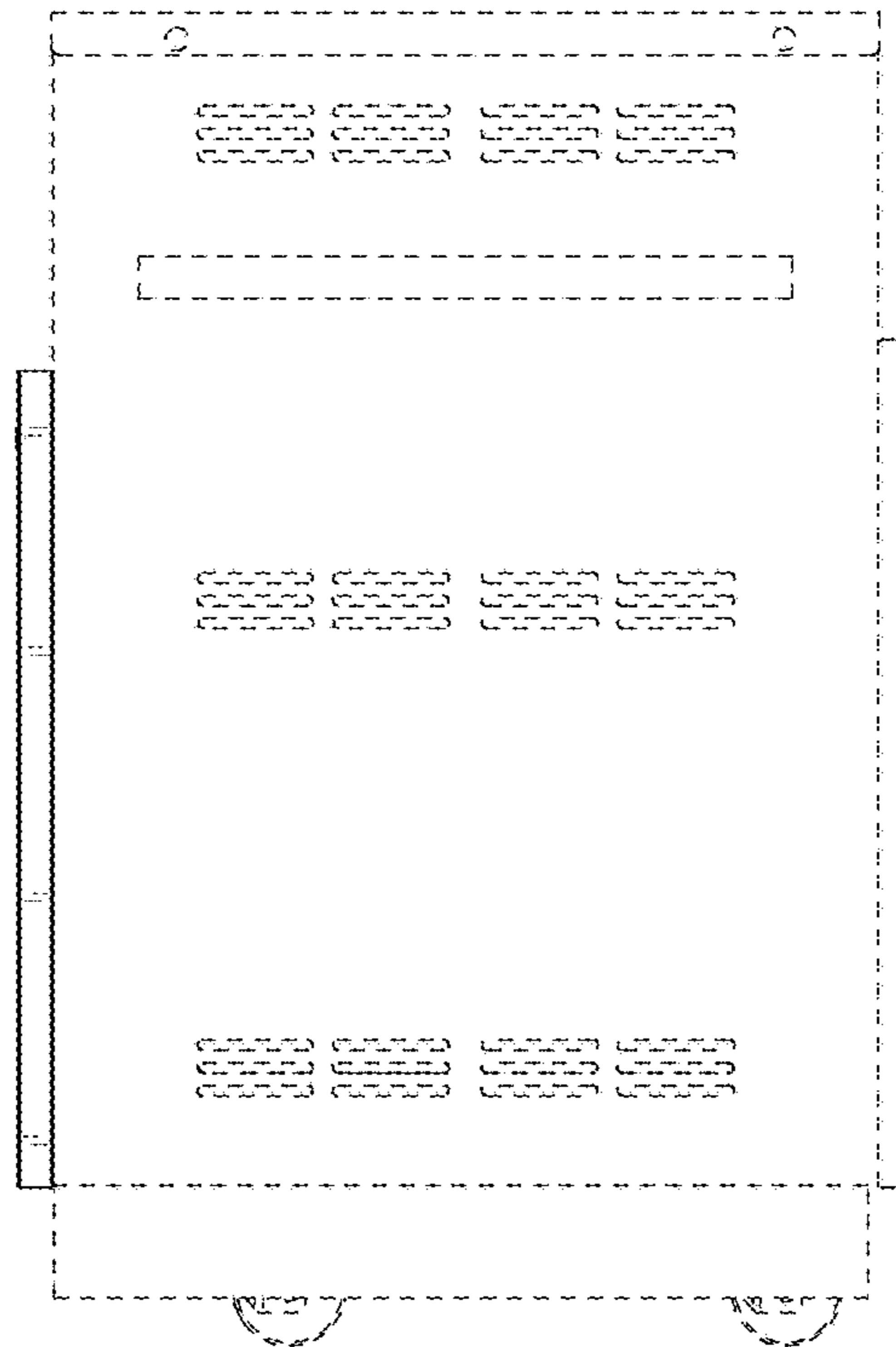


FIG. 10

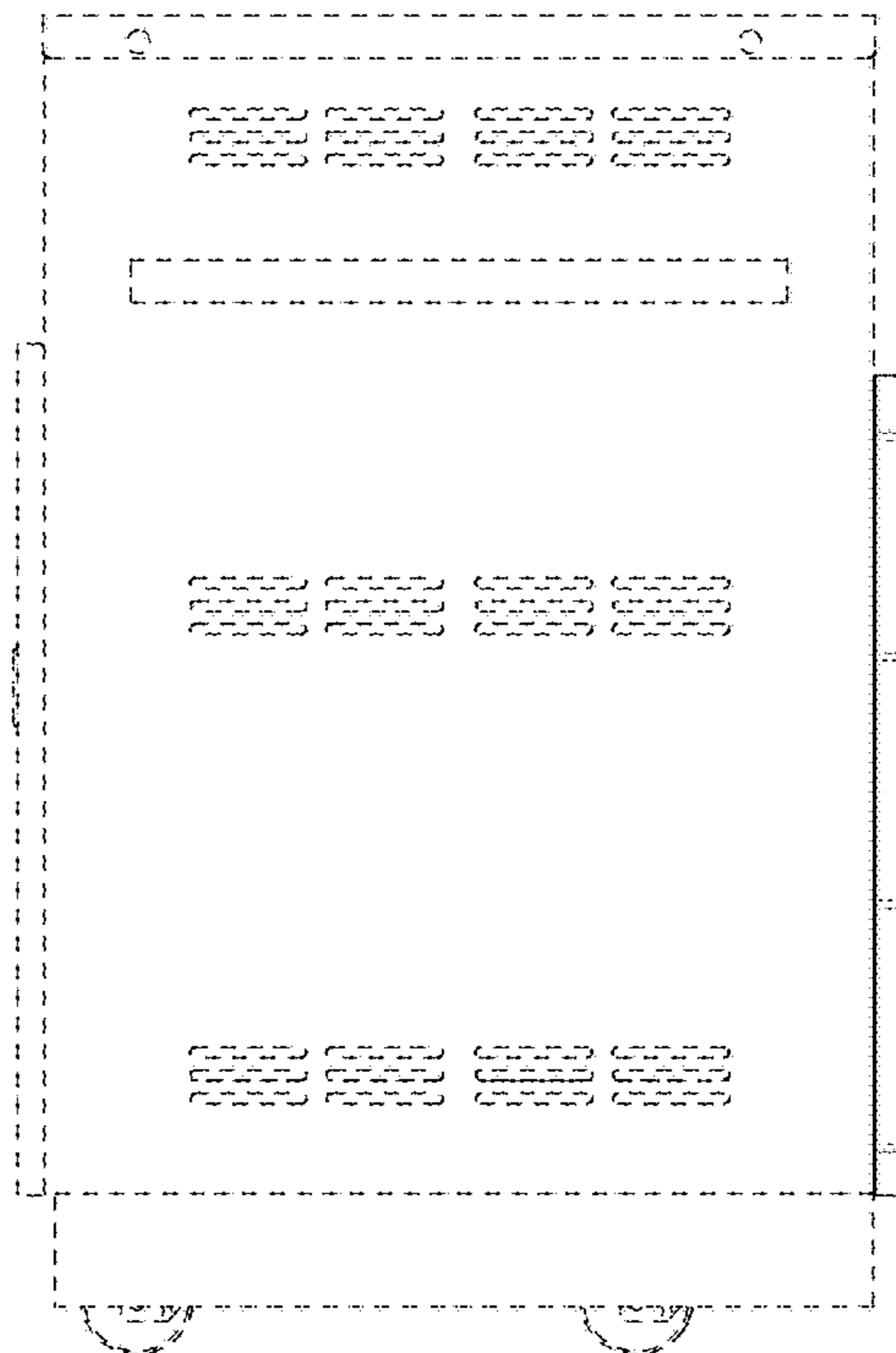


FIG. 11

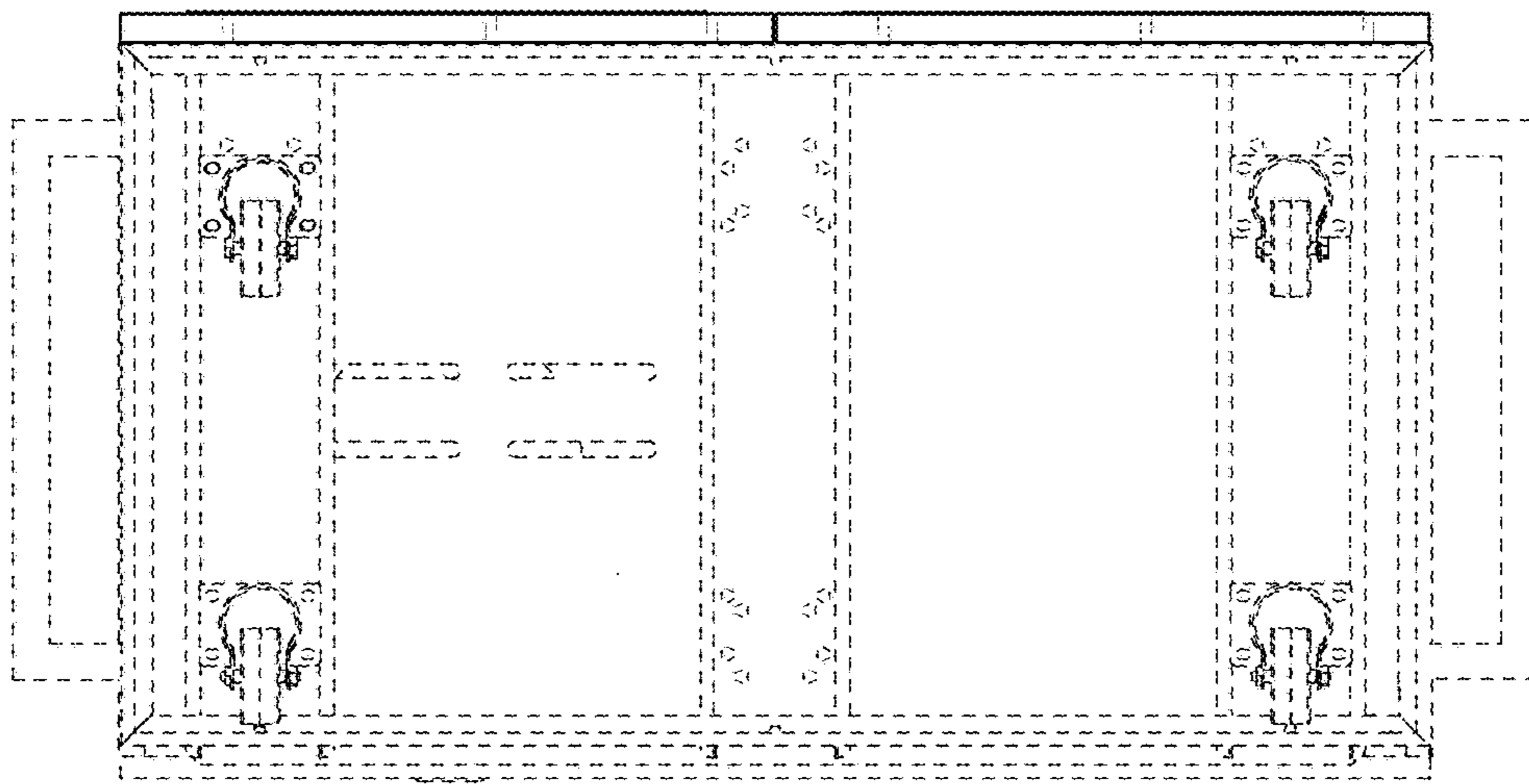


FIG. 12