



US00D856050S

(12) **United States Design Patent**  
**Lauber**

(10) **Patent No.:** **US D856,050 S**

(45) **Date of Patent:** **\*\* Aug. 13, 2019**

- (54) **COMBINED YARD TABLE AND END SUPPORT**
- (71) Applicant: **Murray Lauber**, Camrose (CA)
- (72) Inventor: **Murray Lauber**, Camrose (CA)
- (\*\*) Term: **15 Years**
- (21) Appl. No.: **29/582,991**
- (22) Filed: **Nov. 1, 2016**
- (51) **LOC (12) Cl.** ..... **06-03**
- (52) **U.S. Cl.**  
USPC ..... **D6/691.4**
- (58) **Field of Classification Search**  
USPC .. D6/649, 685, 686, 690, 691, 691.1-691.9;  
D11/40  
CPC .... A47B 3/00; A47B 3/06; A47B 3/10; A47B  
3/12; A47B 7/00; A47B 11/00; A47B  
13/00; A47B 13/02; A47B 13/021; A47B  
13/023; A47B 13/081; A47B 21/00; A47B  
23/00; A47B 37/04; A47B 2200/0011;  
A47B 2200/0035; A47B 5/00; A01M  
31/02; A01K 97/10; A47C 9/10  
See application file for complete search history.

(56) **References Cited**

**U.S. PATENT DOCUMENTS**

2,799,543	A *	7/1957	Tomaselli	.....	A45B 23/00 108/50.12
3,283,733	A *	11/1966	Boerma	.....	A01M 31/02 108/150
3,467,033	A *	9/1969	Remer	.....	A47C 9/10 108/115
4,407,475	A	10/1983	Gossage		
D364,048	S	11/1995	Winslow, Sr.		
D366,372	S	1/1996	Skarda, Jr.		
D382,729	S *	8/1997	Piker	.....	A47B 13/02 D6/691.4
D392,812	S	3/1998	Hicks		

5,762,004	A	6/1998	Vashon et al.		
6,035,572	A *	3/2000	Goode, Jr.	.....	A45B 5/00 42/94
6,705,240	B2	3/2004	Block et al.		
D496,181	S	9/2004	Maness		
7,314,009	B2 *	1/2008	Wunsh	.....	A47B 13/12 108/25
D690,970	S	10/2013	Boirun et al.		
8,573,138	B2	11/2013	Unger		
9,237,802	B1 *	1/2016	Kral	.....	A47B 23/04
9,380,861	B1 *	7/2016	Newman	.....	A47B 3/06
D779,243	S *	2/2017	Wenzel	.....	A47B 13/021 D6/686
2013/0000529	A1 *	1/2013	Heyring	.....	A47B 13/02 108/147.22
2013/0068142	A1	3/2013	Wellman et al.		

(Continued)

*Primary Examiner* — Mary Ann Calabrese

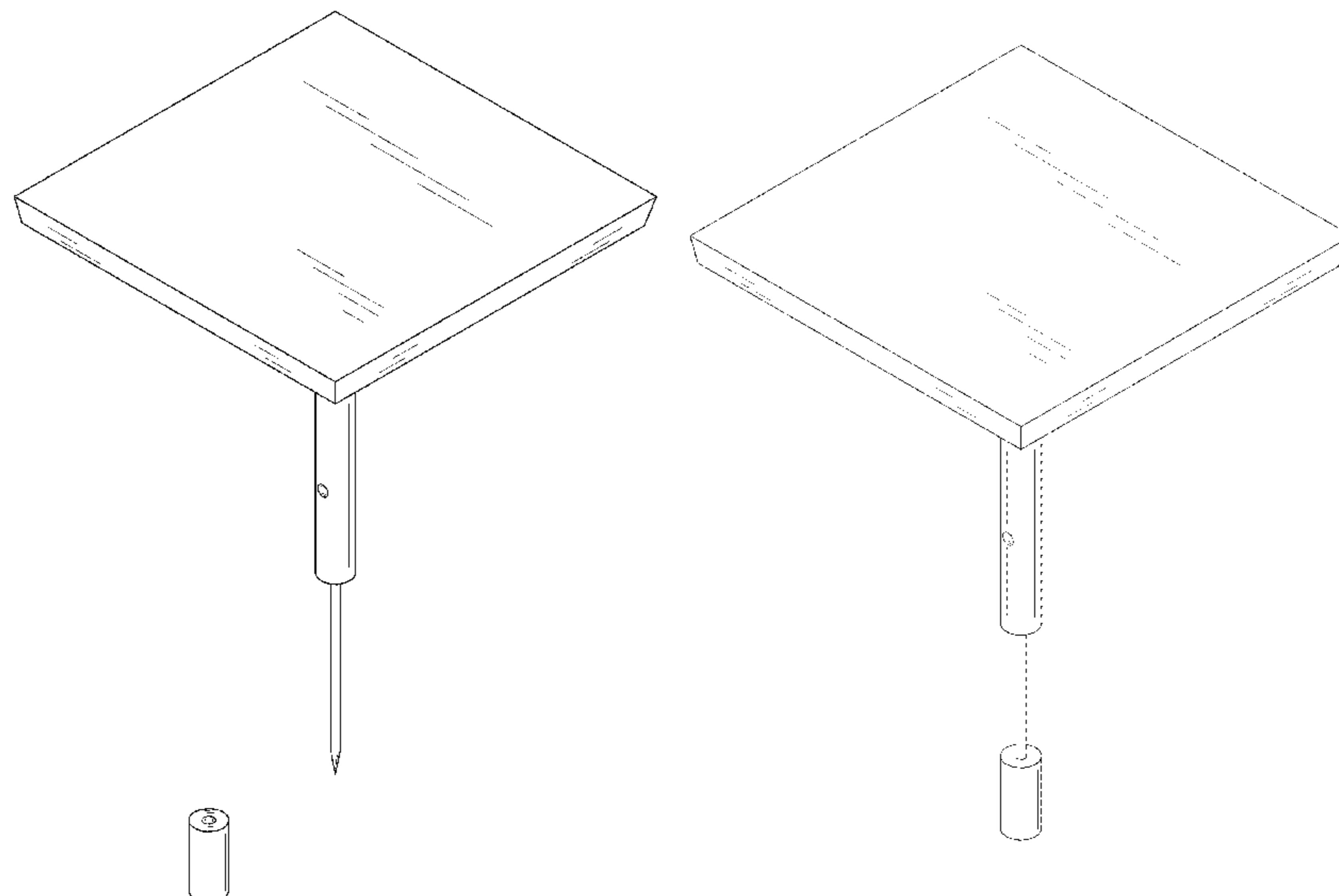
(57) **CLAIM**

The ornamental design for a combined yard table and end support, as shown and described.

**DESCRIPTION**

FIG. 1 is a front view of a combined yard table and end support showing my new design, a rear view being a mirror image thereof;  
 FIG. 2 is a left side view of the combined yard table and end support;  
 FIG. 3 is a right side view of the combined yard table and end support;  
 FIG. 4 is a top view of the combined yard table and end support;  
 FIG. 5 is a bottom view of the combined yard table and end support;  
 FIG. 6 is a top front side perspective view of the combined yard table and end support; and,  
 FIG. 7 is a top front side perspective view of the combined yard table and end support shown in its assembled configuration.

**1 Claim, 7 Drawing Sheets**



(56)

**References Cited**

U.S. PATENT DOCUMENTS

2014/0102337 A1\* 4/2014 Ralph ..... A47B 37/04  
108/25  
2015/0208634 A1\* 7/2015 Box ..... A01K 97/10  
108/25

\* cited by examiner

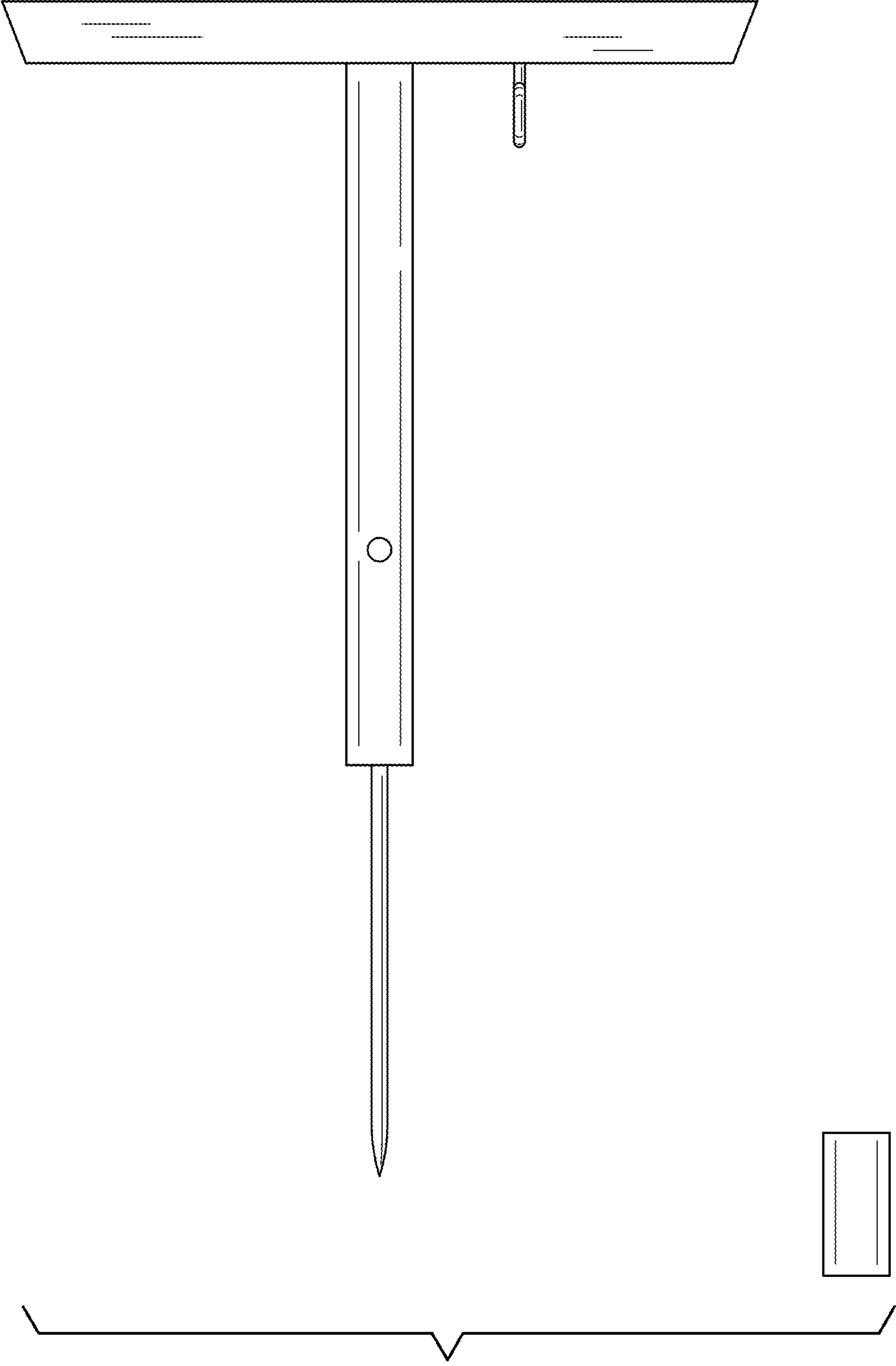


FIG. 1

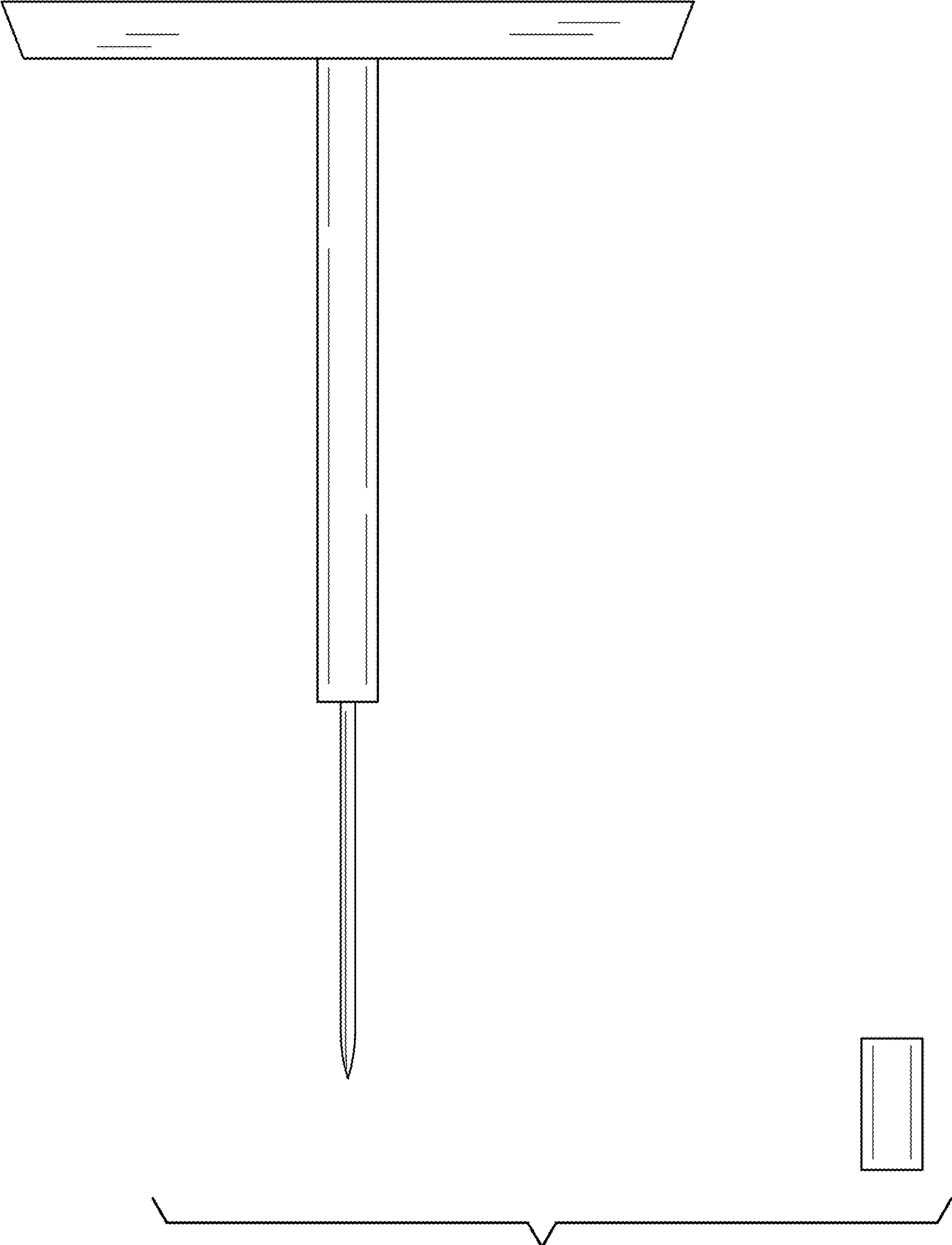


FIG. 2

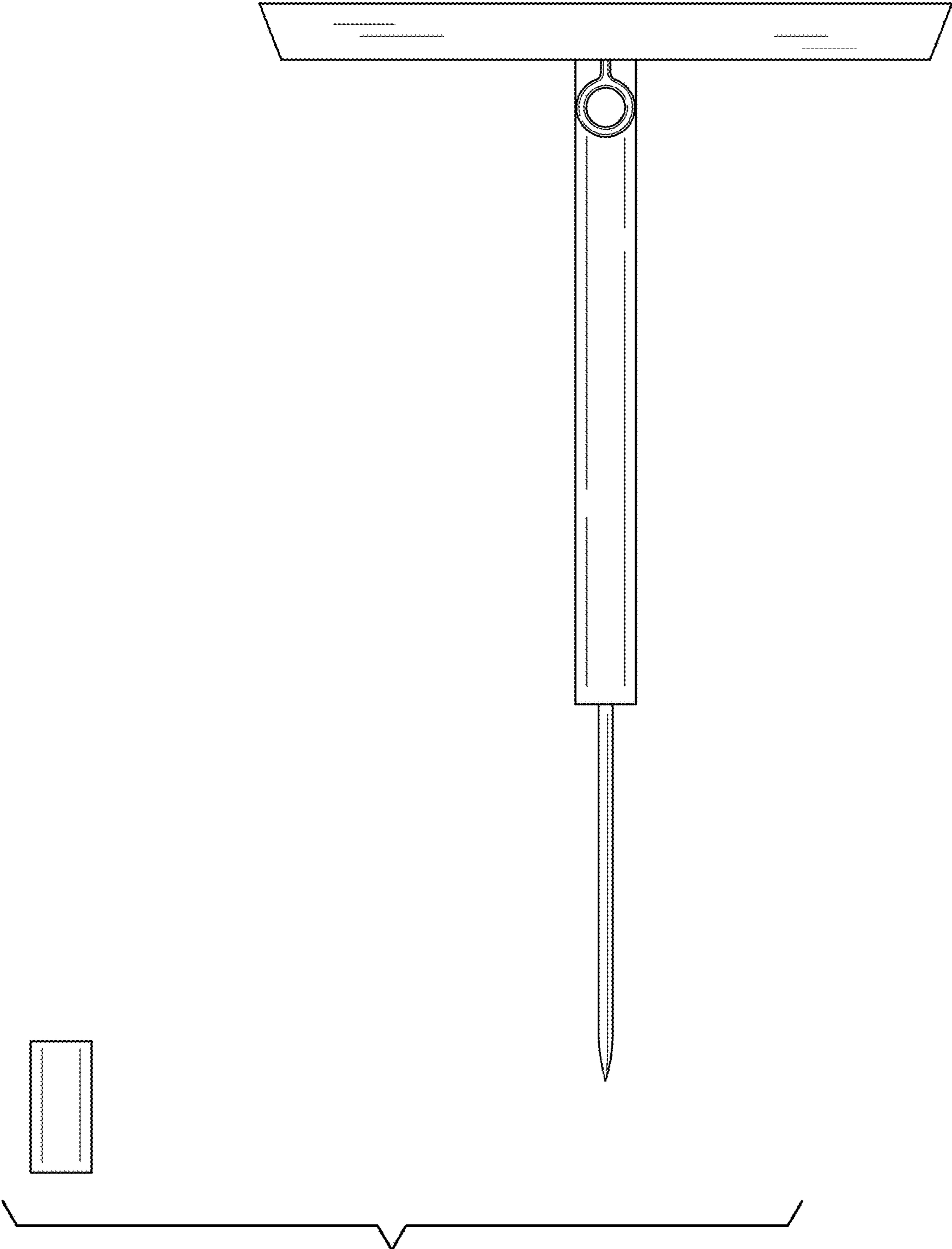


FIG. 3

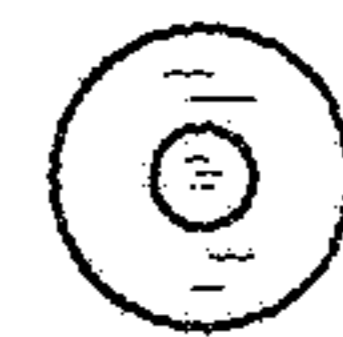
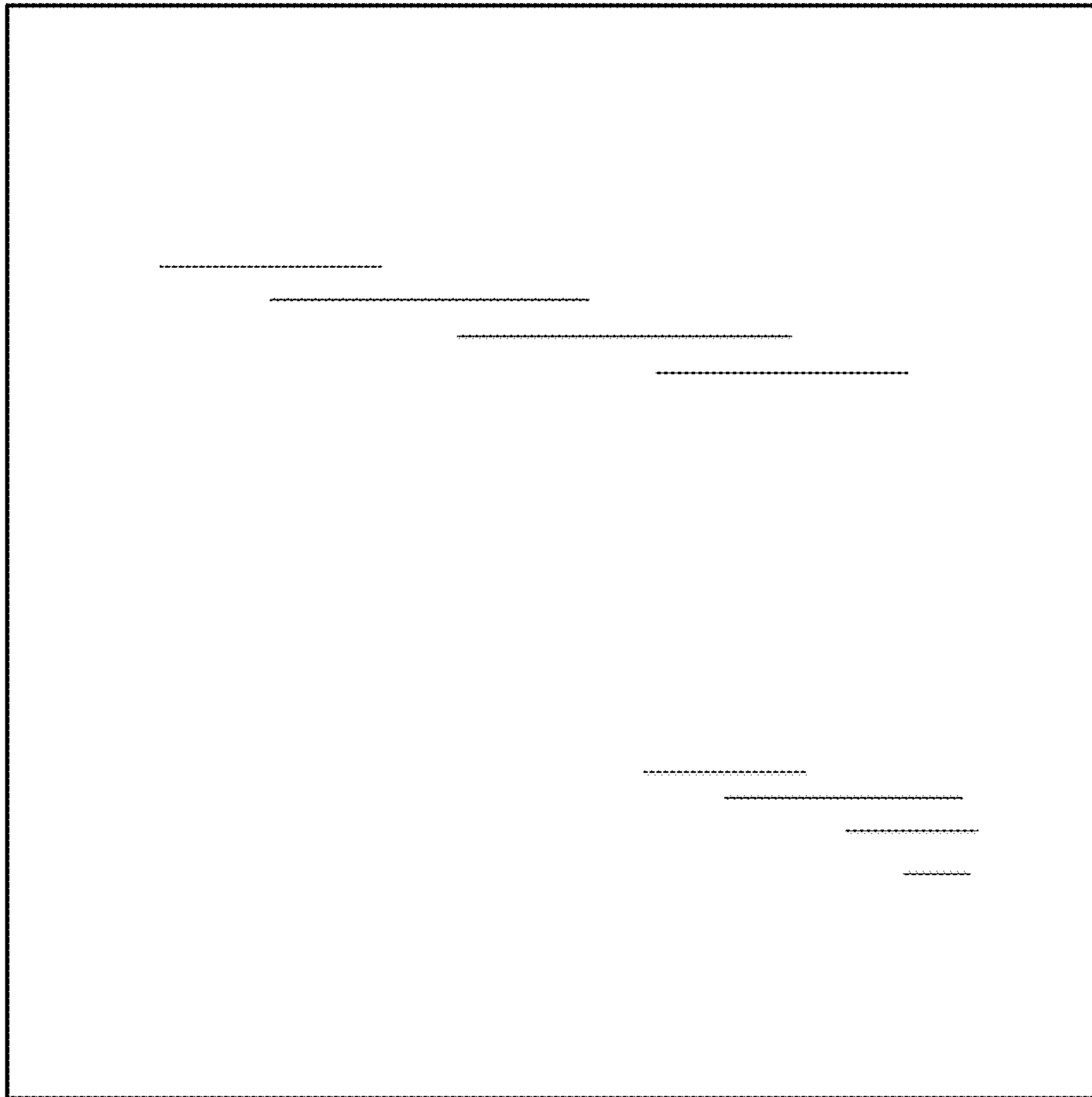


FIG. 4

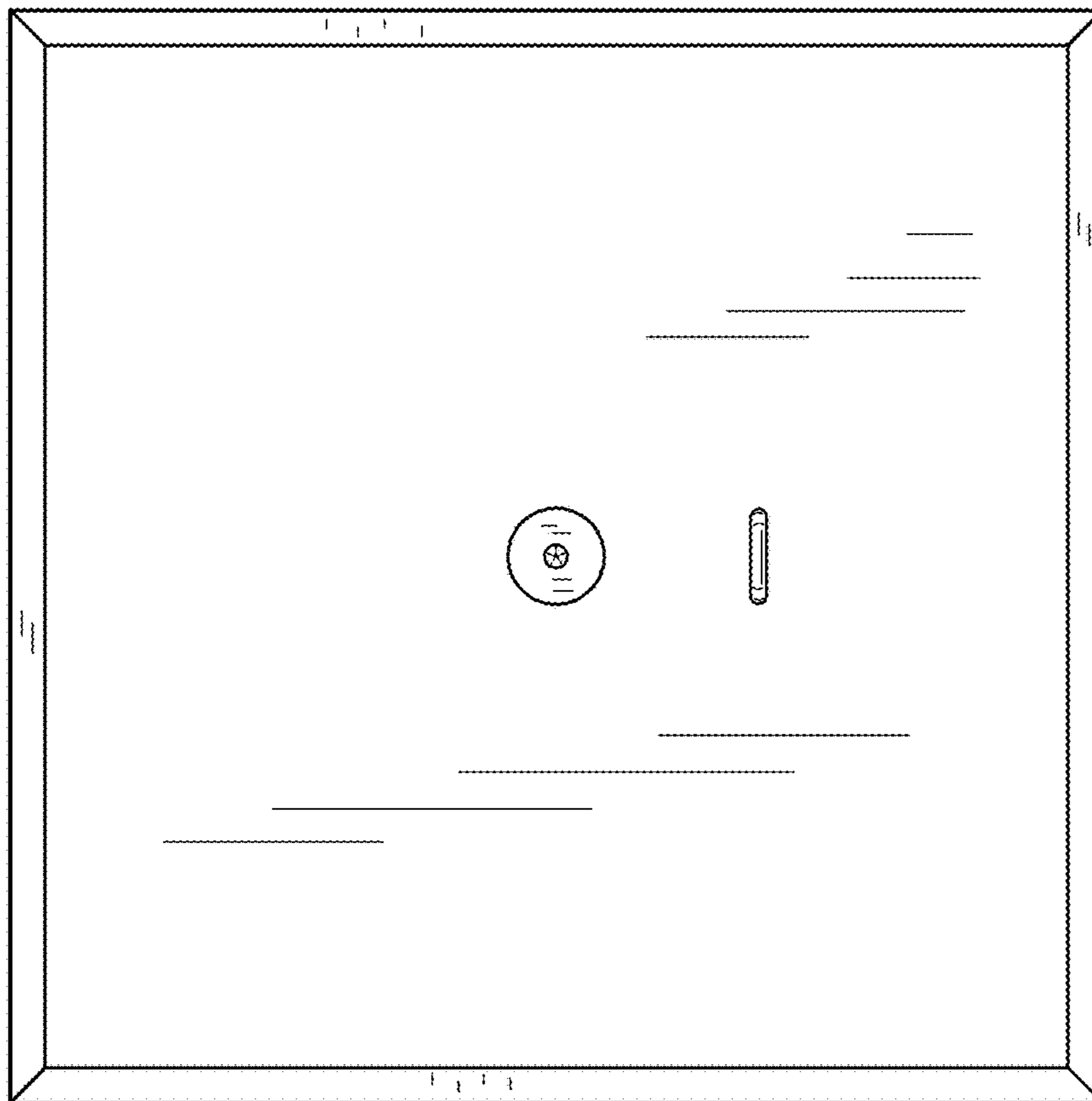


FIG. 5

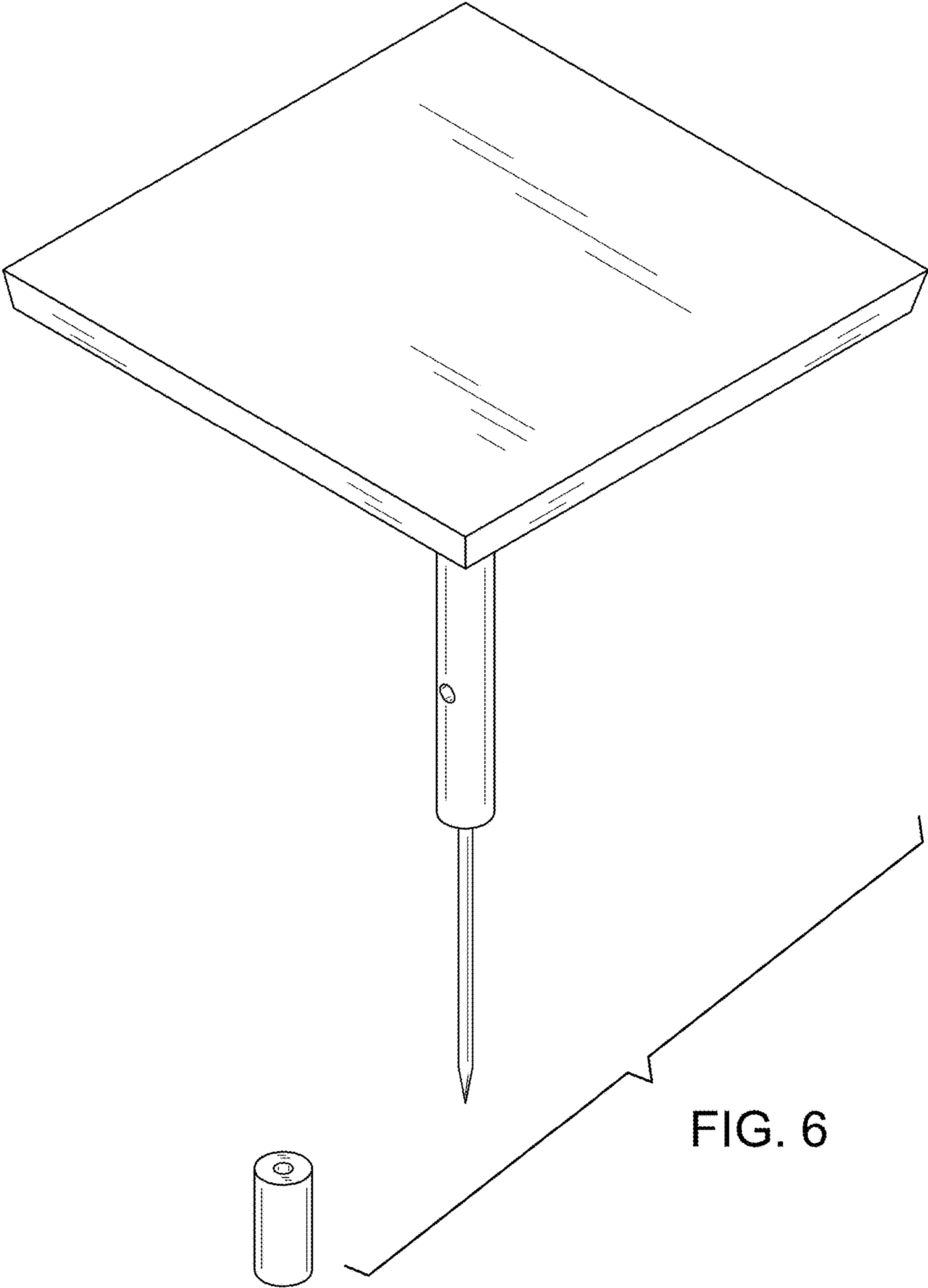


FIG. 6



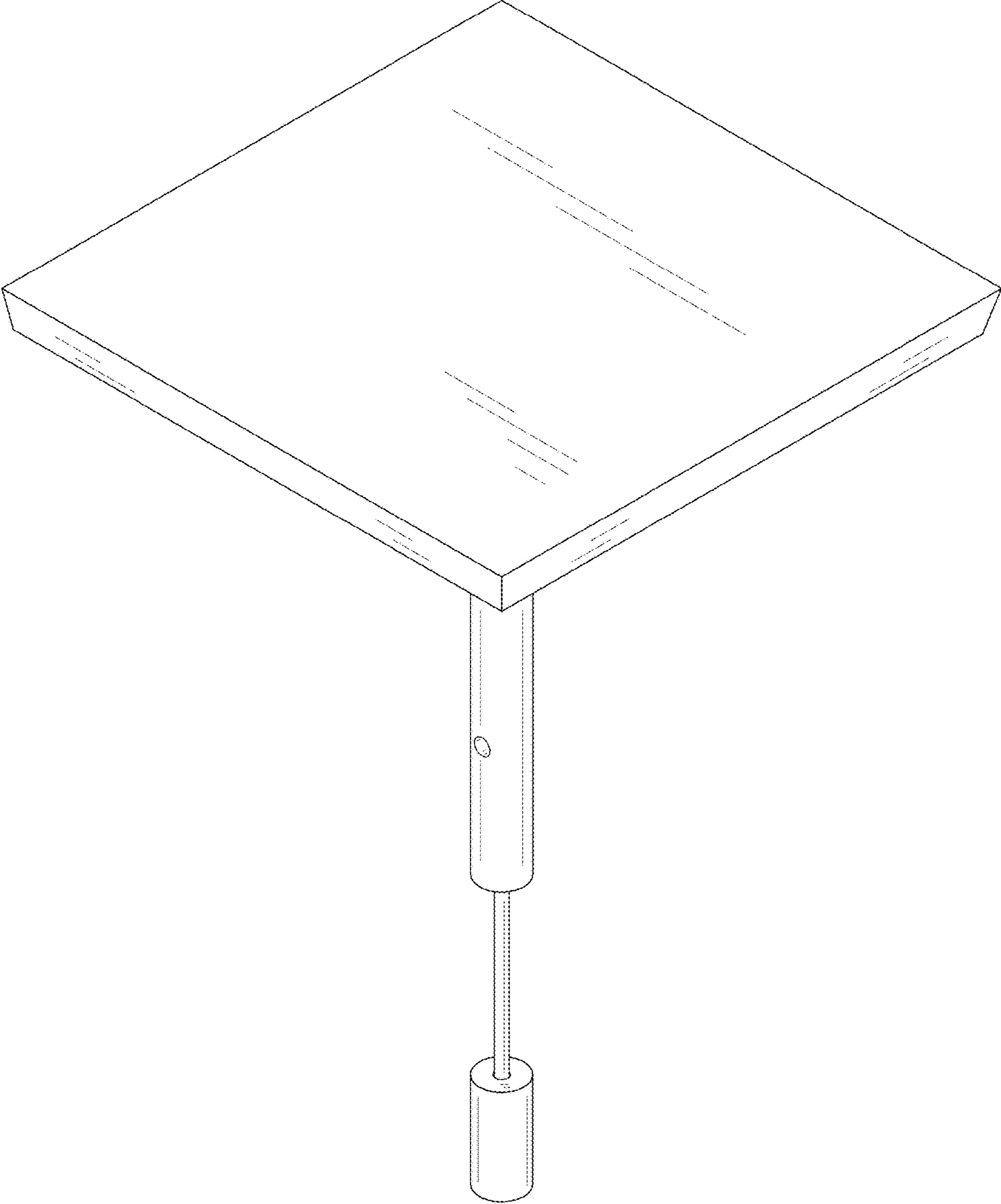


FIG. 7