

US00D856048S

(12) **United States Design Patent** (10) **Patent No.:** **US D856,048 S**
Tham et al. (45) **Date of Patent:** **** Aug. 13, 2019**

(54) **SQUARE TABLE**
(71) Applicants: **Siew Kin Tham**, Kluang (MY);
Zachariah Dannett, Los Angeles, CA
(US)
(72) Inventors: **Siew Kin Tham**, Kluang (MY);
Zachariah Dannett, Los Angeles, CA
(US)
(73) Assignee: **Noble House Home Furnishings,**
LLC, Chatsworth, CA (US)

D508,336 S * 8/2005 Suzuki D6/349
D573,807 S * 7/2008 Marin D6/349
D594,677 S * 6/2009 Arkitekter D6/692
D613,968 S * 4/2010 Lambert D6/689
D704,974 S * 5/2014 Lee D6/349
D713,156 S * 9/2014 Cohen D6/349
D726,460 S * 4/2015 Arnon D6/689
9,370,241 B1 * 6/2016 Dilmaghani A47B 13/003
D806,413 S * 1/2018 Zinger D6/349
D825,964 S * 8/2018 Zinger D6/691.1
2018/0213926 A1 * 8/2018 Brensinger A47B 3/083

(**) Term: **15 Years**

(21) Appl. No.: **29/632,649**

(22) Filed: **Jan. 9, 2018**

(51) **LOC (12) Cl.** **06-03**

(52) **U.S. Cl.**
USPC **D6/689**

(58) **Field of Classification Search**
USPC D6/349, 355, 363, 641, 657, 685, 686,
D6/689, 690, 691, 691.1, 691.2, 691.3,
D6/691.4, 691.5, 691.6, 691.7, 691.8,
D6/691.9, 699, 699.1, 699.2, 699.3,
D6/699.4, 699.5, 702, 707, 707.15, 708,
D6/709
CPC .. A47B 37/00; A47B 3/00; A47B 1/00; A47B
3/06; A47B 3/08; A47B 7/00; A47B
21/00; A47B 23/00; A47B 25/00; A47B
13/08; A47B 3/083; A47B 3/14; A47B
41/00; A47B 17/00; A47B 3/0809; A47B
3/0812; A47B 2013/026; A47B 2200/03;
A47B 2200/00; A47B 2003/0821; A47C
3/045

See application file for complete search history.

(56) **References Cited**

U.S. PATENT DOCUMENTS

D164,075 S * 7/1951 Wallance D6/691
D467,440 S * 12/2002 Lindaman D6/349

OTHER PUBLICATIONS

Gila, posted at Ak1.ostkcdn.com, posted on Nov. 19, 2018, site visited Mar. 11, 2019. online, available from internet: https://ak1.ostkcdn.com/images/products/17619647/Gila-Outdoor-5-Piece-Square-Wicker-Dining-Set-with-Umbrella-Hole-by-Christopher-Knight-Home-fa728544-052c-43f9-ab18-9dff1bc36eb5_600.jpg (Year: 2018).*

* cited by examiner

Primary Examiner — Mary Ann Calabrese
Assistant Examiner — Catherine Ho

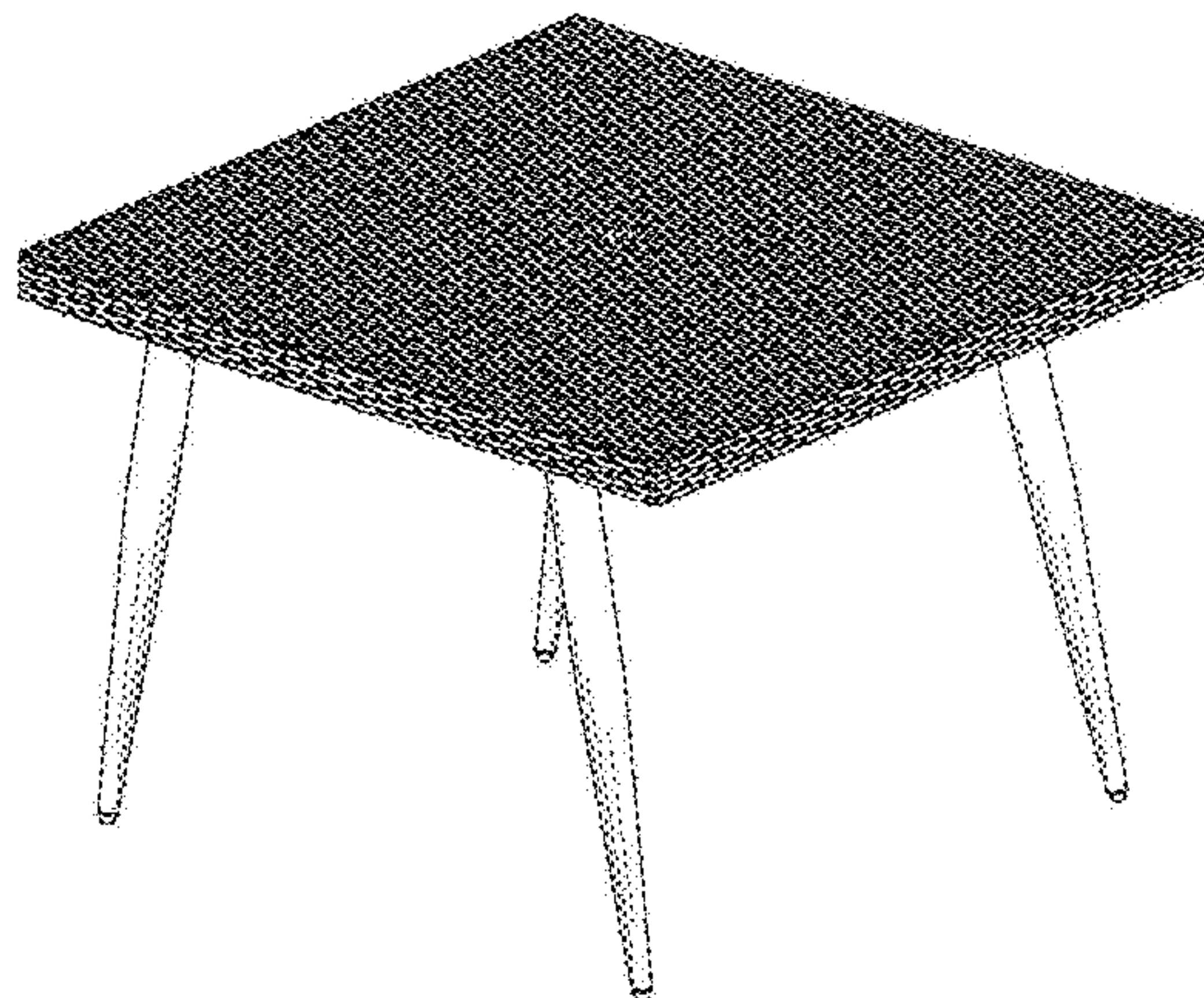
(57) **CLAIM**

The ornamental design for a square table, as shown and described.

DESCRIPTION

FIG. 1 is a perspective view of a square table, showing our new design;
FIG. 2 is a side view thereof, all four sides being identical thereof;
FIG. 3 is a top view thereof; and,
FIG. 4 is a bottom view thereof.

1 Claim, 4 Drawing Sheets



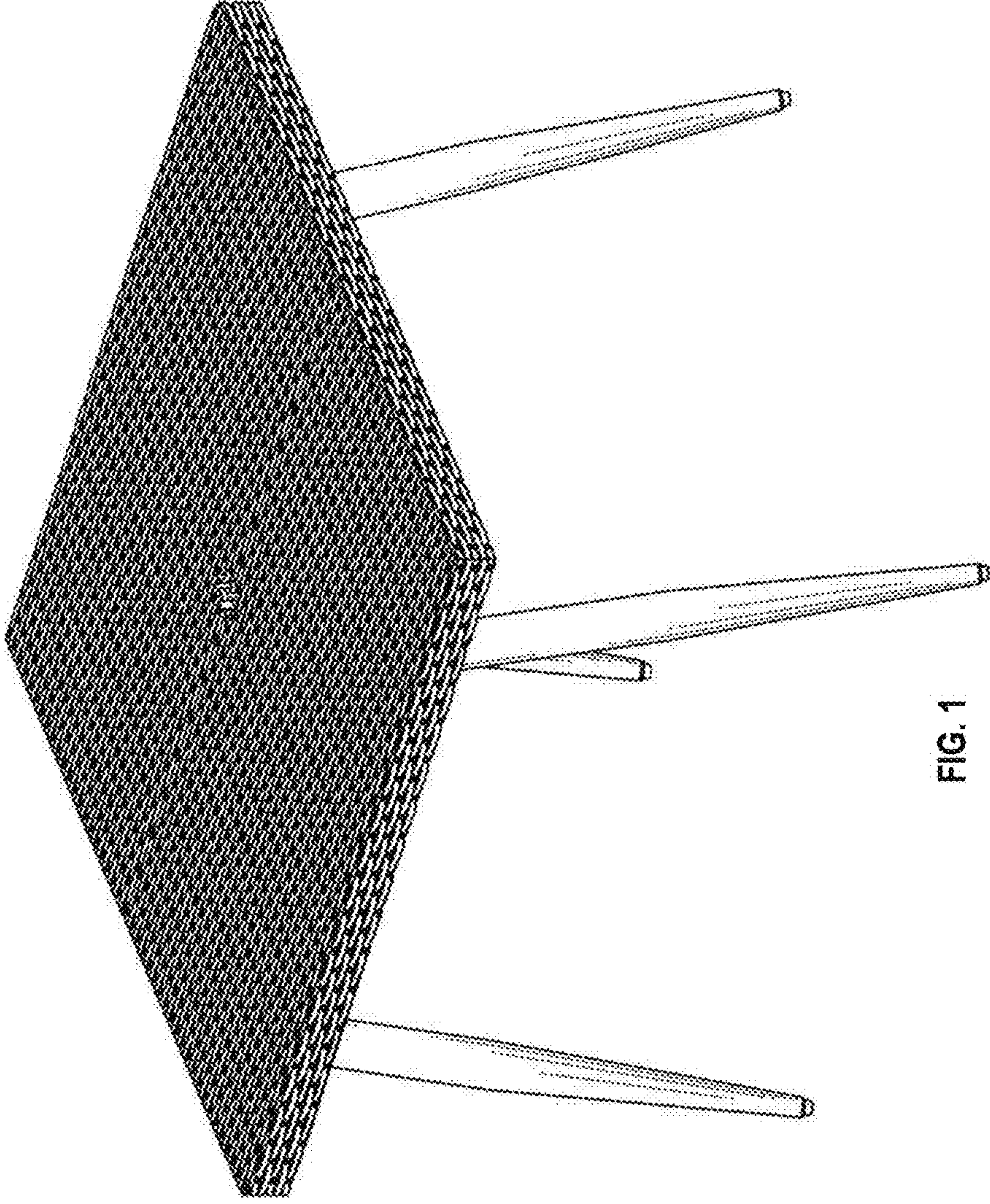


FIG. 1

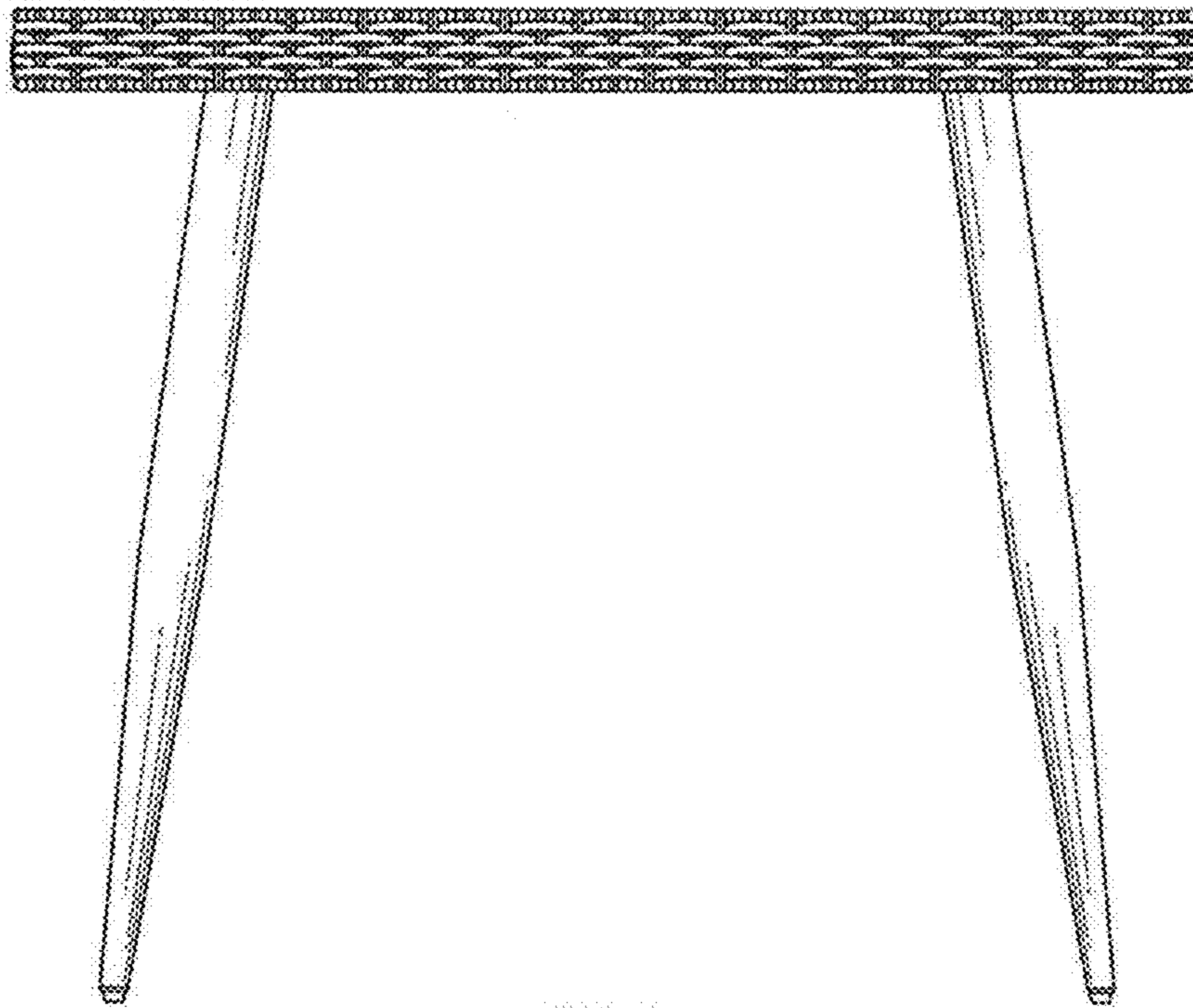


FIG. 2

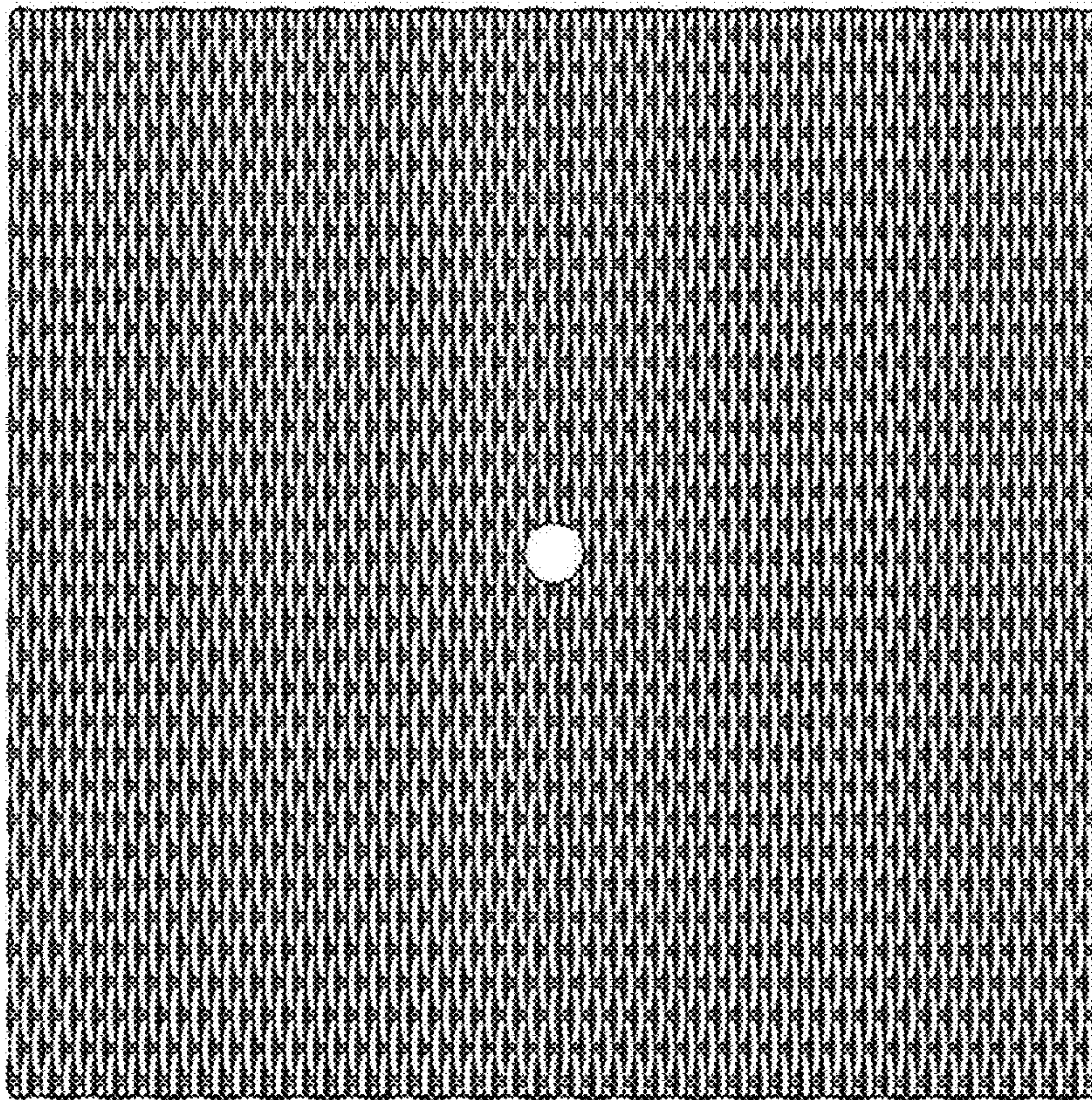


FIG. 3

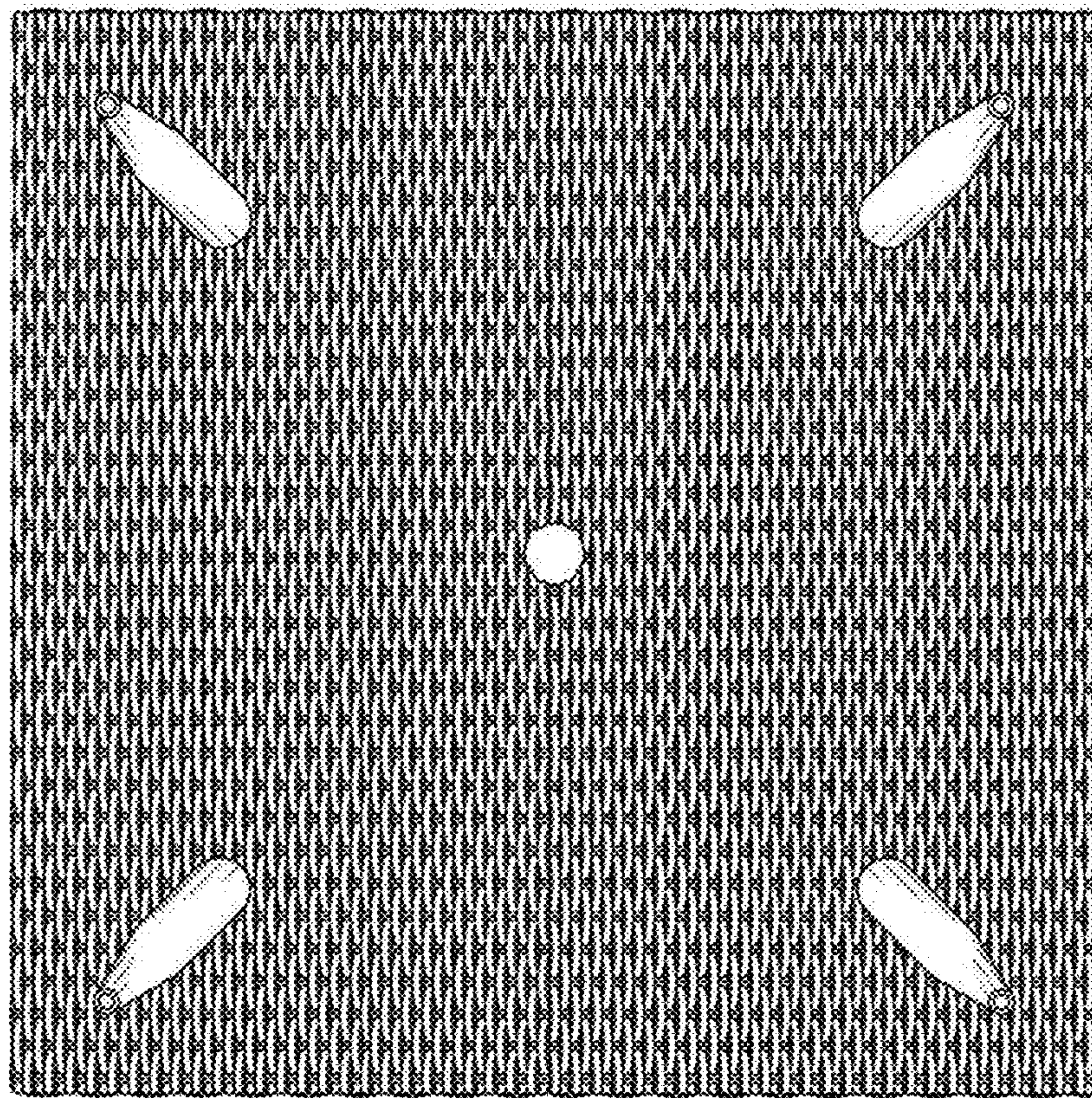


FIG. 4