

US00D856047S

(12) **United States Design Patent** (10) **Patent No.:** **US D856,047 S**
Graham (45) **Date of Patent:** **** Aug. 13, 2019**

(54) TABLE	4,947,961 A *	8/1990	Dudley	B60R 3/007	182/150
(71) Applicant: Tail Gater Tire Table, Inc. , Carson City, NV (US)	5,007,567 A	4/1991	Foster			
	5,111,909 A	5/1992	Liu			
	5,133,429 A *	7/1992	Densley	B60R 3/007	182/150
(72) Inventor: Ward Haskell Graham , Carson City, NV (US)	D355,990 S *	3/1995	Vincelli	B60R 3/007	D6/555
(73) Assignee: TAIL GATER TIRE TABLE, INC. , Carson City, NV (US)	D394,628 S *	5/1998	Wentzel	A47B 37/00	D12/203
(**) Term: 15 Years	5,971,102 A	10/1999	Brown			
	6,467,417 B1	10/2002	Guyot			
	7,059,449 B2 *	6/2006	Zhang	B60R 3/007	182/127
(21) Appl. No.: 29/609,233	D573,929 S *	7/2008	Black	D12/203	
(22) Filed: Jun. 29, 2017	8,091,907 B1	1/2012	Barnett			
	8,616,630 B1	12/2013	Midkiff			
	D782,854 S *	4/2017	Graham	D6/686	
	2006/0157301 A1	7/2006	Embretsen			
	2006/0226624 A1	10/2006	Chen			

Related U.S. Application Data

(63) Continuation-in-part of application No. 15/046,711, filed on Feb. 18, 2016, now Pat. No. 9,770,101, which is a continuation-in-part of application No. 14/506,649, filed on Oct. 4, 2014, now abandoned.

(51) **LOC (12) Cl.** **06-03**

(52) **U.S. Cl.**
USPC **D6/686**

(58) **Field of Classification Search**
USPC D6/555, 574, 685, 686, 691, 691.1-691.9
CPC A47B 1/00; A47B 3/00; A47B 7/00; A47B 13/00; A47B 13/003; A47B 13/02; A47B 13/04; A47B 13/06; A47B 2013/006; A47B 2200/0011; A47B 2200/002; A47B 5/04; A47B 37/00; B60R 3/007; B60R 9/00; B60R 9/02
See application file for complete search history.

(56) **References Cited**

U.S. PATENT DOCUMENTS

3,181,485 A *	5/1965	Dotson	A47B 5/04	108/152
4,800,987 A *	1/1989	Liles	B60R 3/007	182/150

(Continued)

Primary Examiner — Mary Ann Calabrese
(74) *Attorney, Agent, or Firm* — Wenderoth, Lind & Ponack, L.L.P.

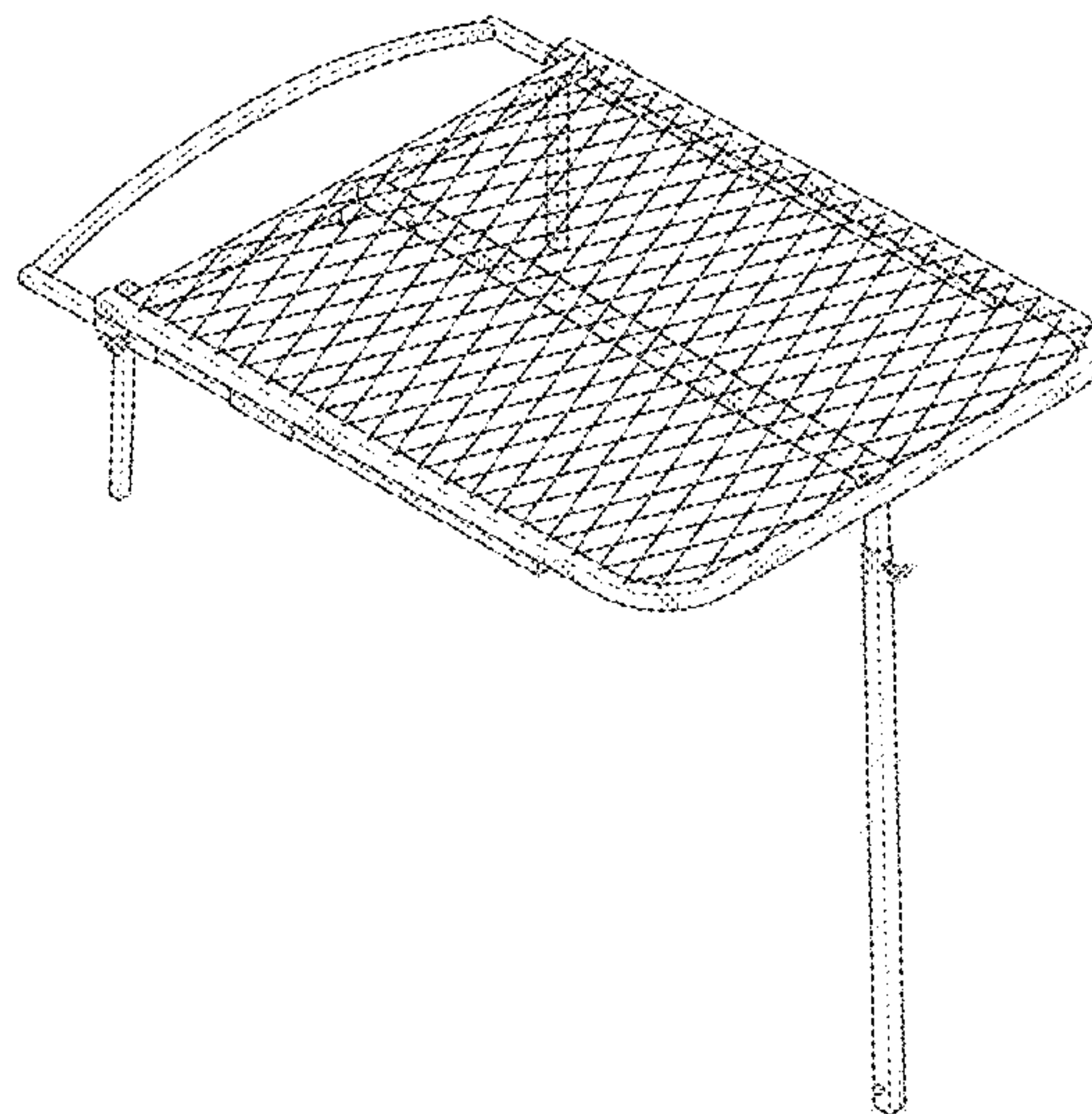
(57) **CLAIM**

I claim ornamental design for the table, as shown and described.

DESCRIPTION

FIG. 1 is a top and front perspective view of the table; FIG. 2 is a bottom and side perspective view of the table; FIG. 3 is a side perspective view of the table with the front leg partially collapsed, alternative position, and with the left side being a mirror image thereof; FIG. 4 is a bottom perspective view of the table; FIG. 5 is a bottom perspective view of the table in a fully collapsed, alternative position; and, FIG. 6 is a rear end view of the table.

1 Claim, 5 Drawing Sheets



(56)

References Cited

U.S. PATENT DOCUMENTS

2015/0097012 A1* 4/2015 Graham B60N 3/001
224/539
2016/0157603 A1* 6/2016 Graham A47B 37/00
108/44

* cited by examiner

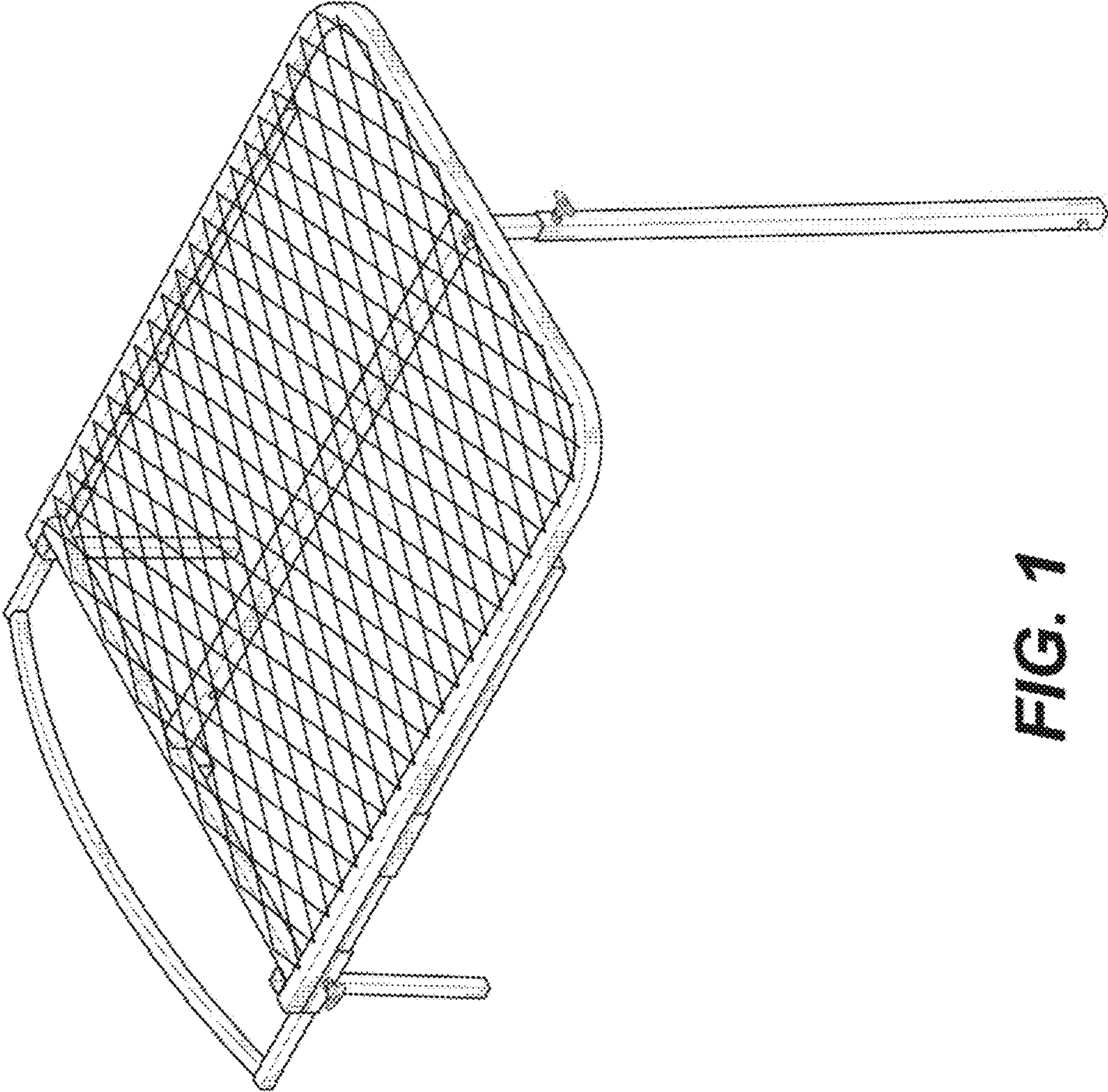


FIG. 1

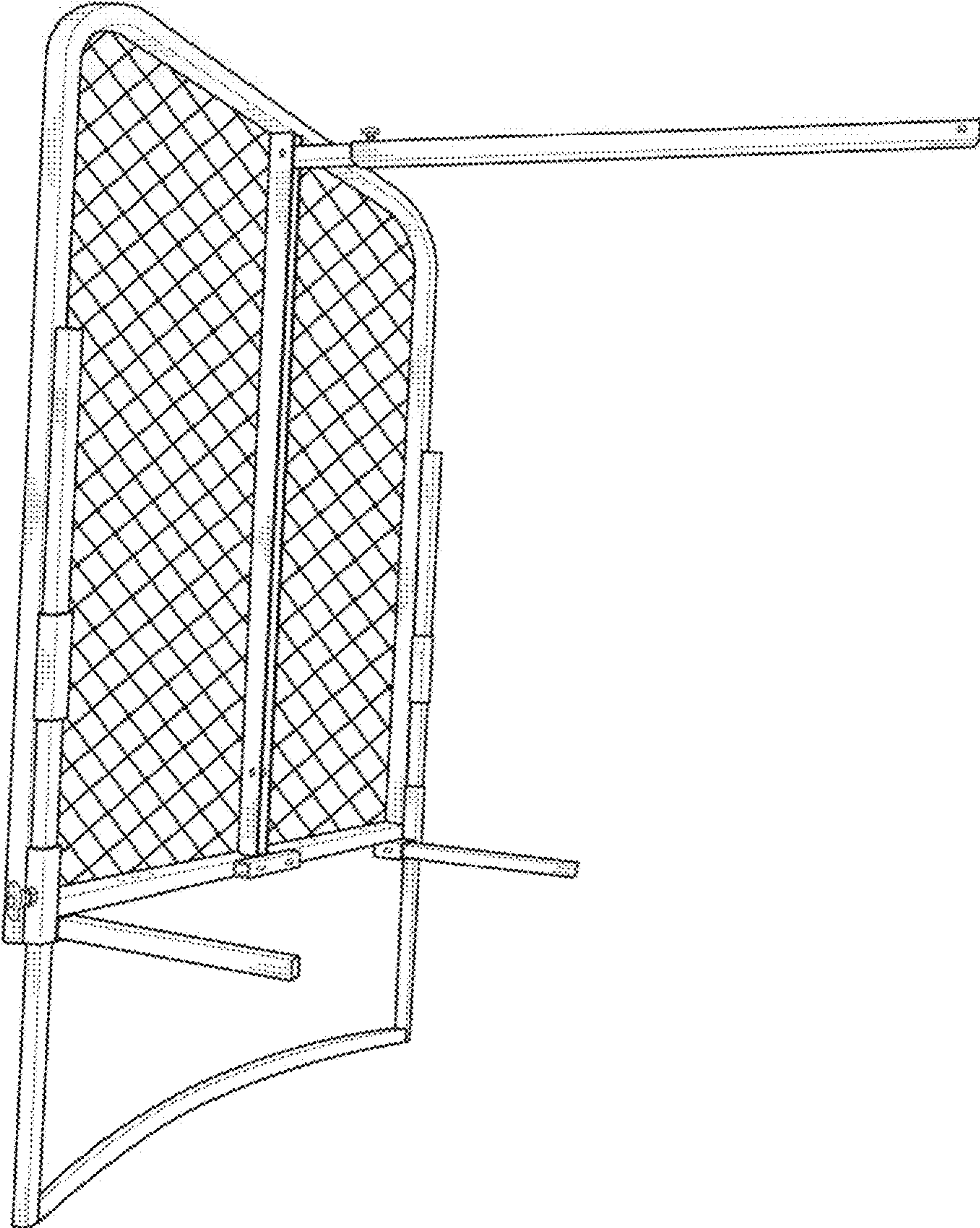


FIG. 2

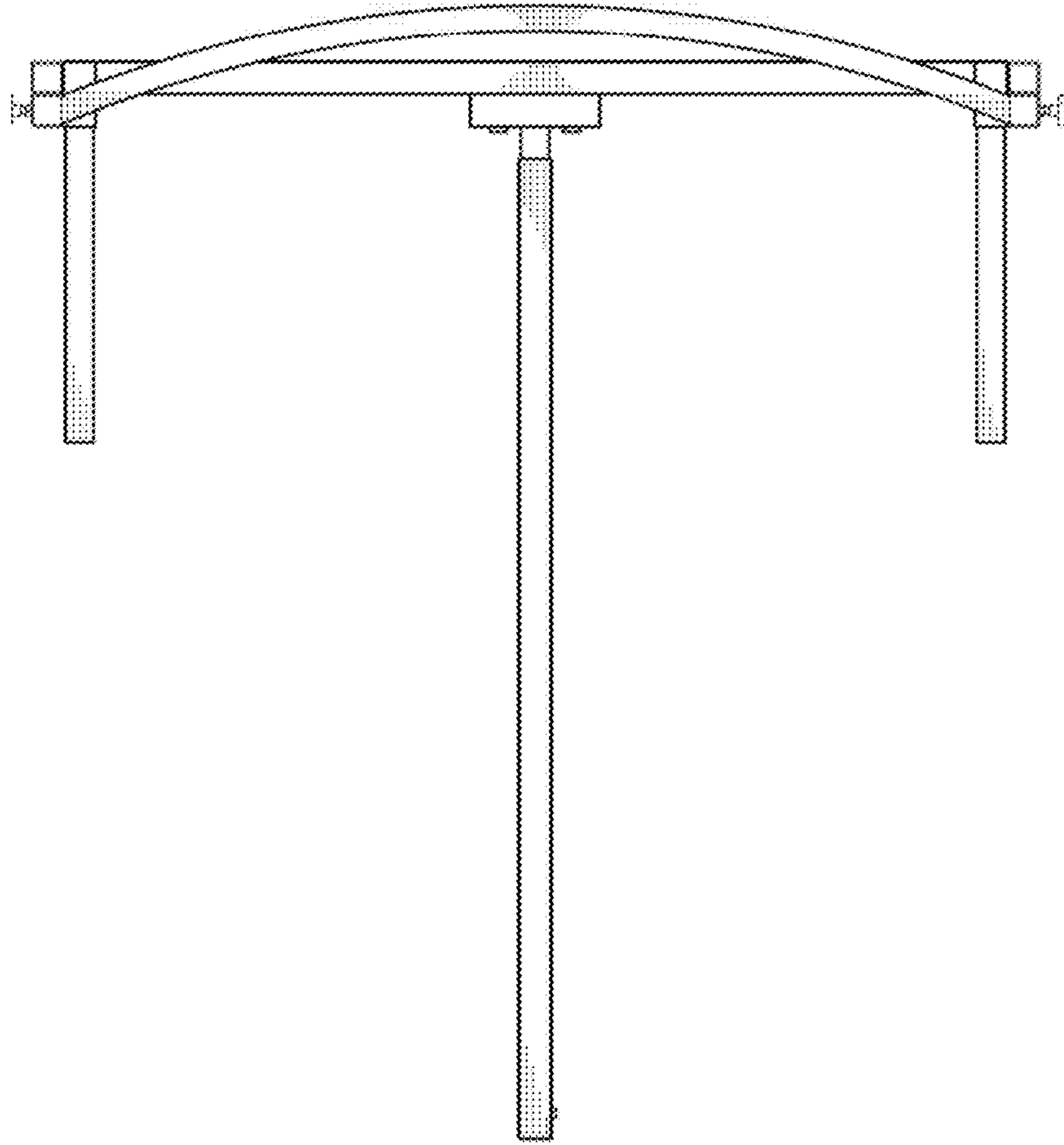


FIG. 6

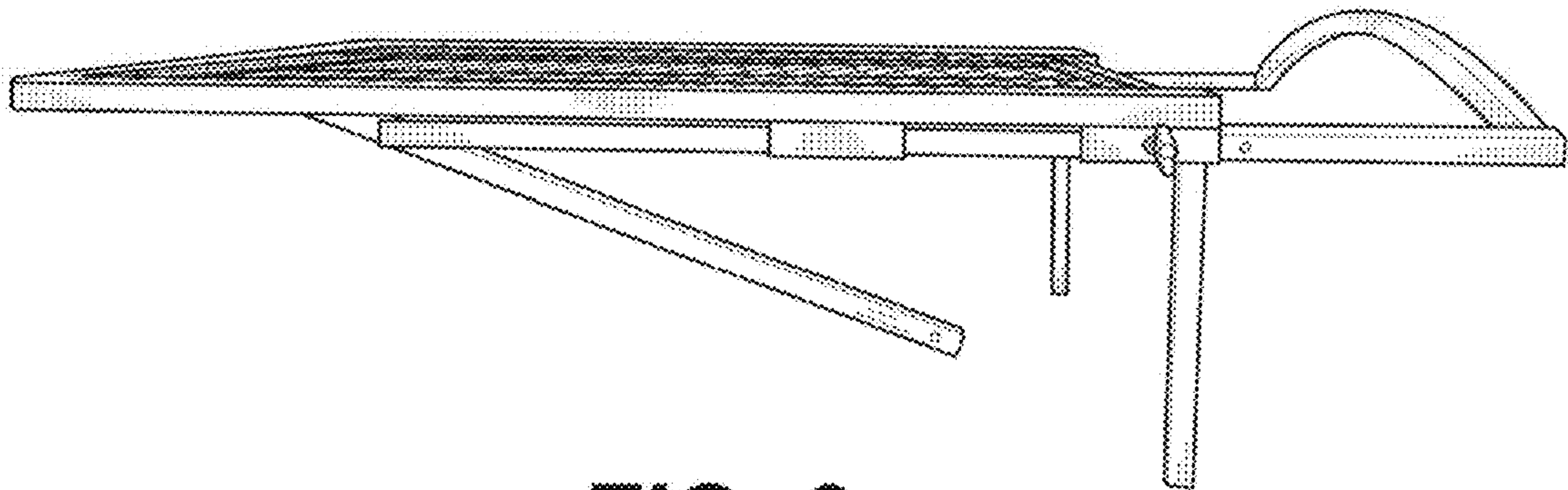


FIG. 3

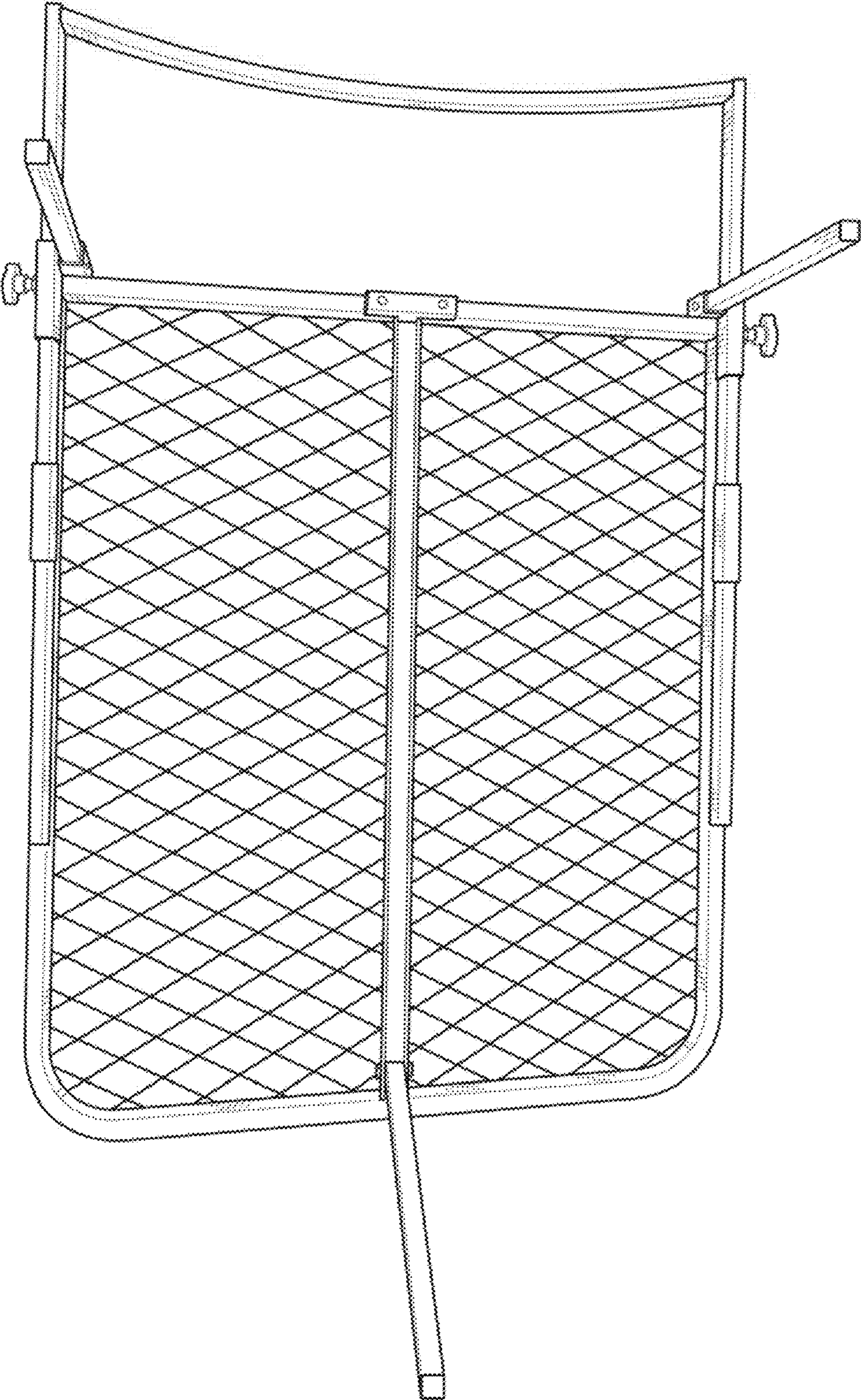


FIG. 4

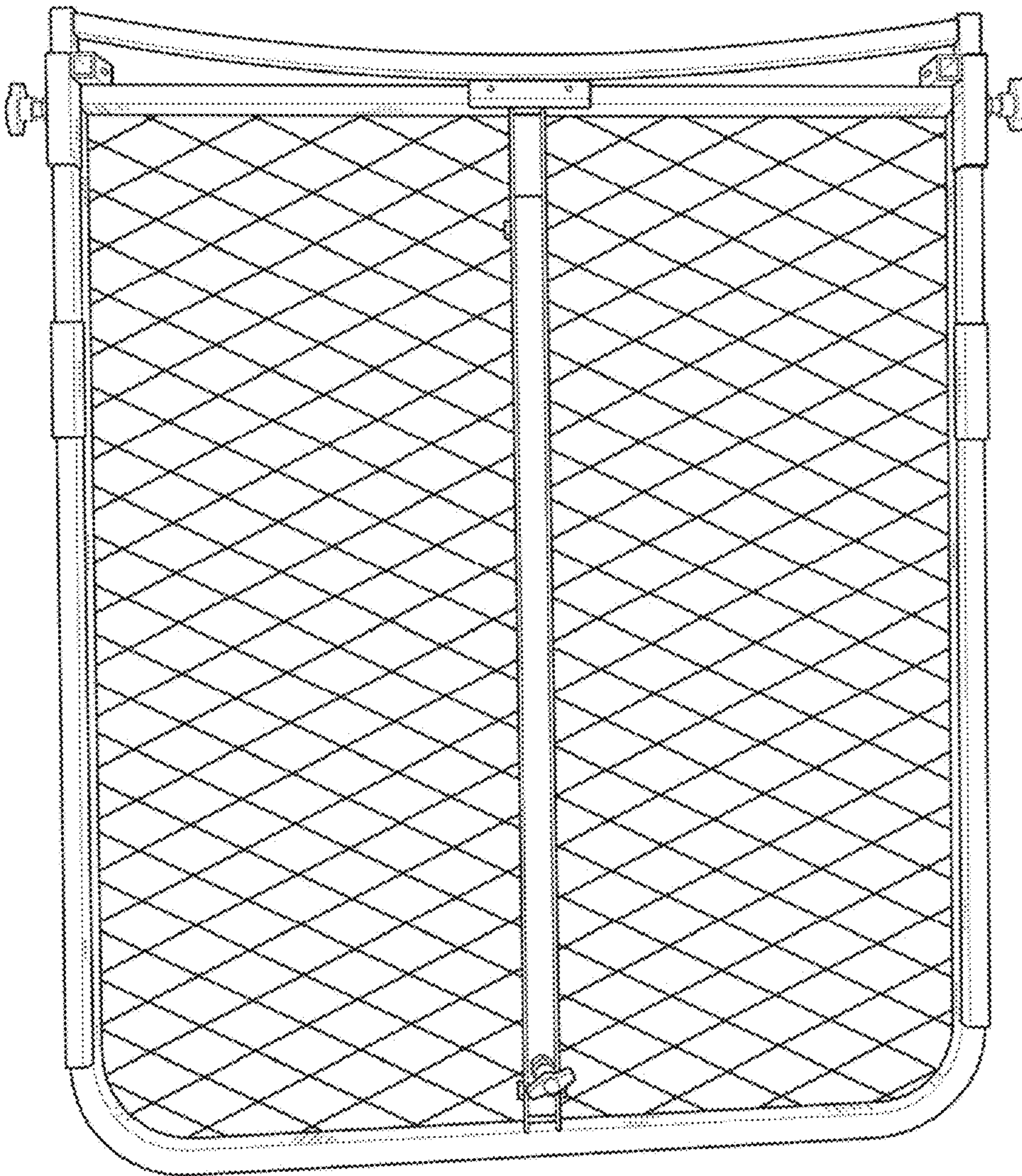


FIG. 5