



US00D856046S

(12) **United States Design Patent**
Akana et al.

(10) **Patent No.:** **US D856,046 S**
(45) **Date of Patent:** **** Aug. 13, 2019**

(54) **DISPLAY STAND**

(71) Applicant: **Apple Inc.**, Cupertino, CA (US)

(72) Inventors: **Jody Akana**, San Francisco, CA (US);
Bartley K. Andre, Palo Alto, CA (US);
Shota Aoyagi, San Francisco, CA (US);
Anthony Michael Ashcroft, San Francisco, CA (US);
Jeremy Bataillou, San Francisco, CA (US);
Daniel J. Coster, San Francisco, CA (US);
Daniele De Iuliis, San Francisco, CA (US);
M. Evans Hankey, San Francisco, CA (US);
Julian Hoenig, San Francisco, CA (US);
Richard P. Howarth, San Francisco, CA (US);
Jonathan P. Ive, San Francisco, CA (US);
Duncan Robert Kerr, San Francisco, CA (US);
Matthew Dean Rohrbach, San Francisco, CA (US);
Peter Russell-Clarke, San Francisco, CA (US);
Benjamin Andrew Shaffer, San Jose, CA (US);
Mikael Silvano, San Francisco, CA (US);
Christopher J. Stringer, Woodside, CA (US);
Eugene Antony Whang, San Francisco, CA (US);
Rico Zörkendörfer, San Francisco, CA (US)

(73) Assignee: **Apple Inc.**, Cupertino, CA (US)

(**) Term: **15 Years**

(21) Appl. No.: **29/677,279**

(22) Filed: **Jan. 18, 2019**

Related U.S. Application Data

(63) Continuation of application No. 29/604,053, filed on May 15, 2017, now Pat. No. Des. 838,524, which is a continuation of application No. 29/561,220, filed on

Apr. 14, 2016, now Pat. No. Des. 789,123, which is a continuation of application No. 29/541,528, filed on (Continued)

(51) **LOC (12) Cl.** **06-06**
(52) **U.S. Cl.**
USPC **D6/682**

(58) **Field of Classification Search**
USPC D6/672, 677, 678, 681, 681.1, 682, D6/682.1, 682.3, 512; D3/903; D9/671
CPC .. A47F 5/00; A47F 5/0884; A47F 7/02; A47F 7/022

See application file for complete search history.

(56) **References Cited**

U.S. PATENT DOCUMENTS

D141,791 S 7/1945 Siegel
2,549,369 A 4/1951 Epstein
(Continued)

Primary Examiner — Kelley A Donnelly
(74) *Attorney, Agent, or Firm* — Sterne, Kessler, Goldstein & Fox P.L.L.C.

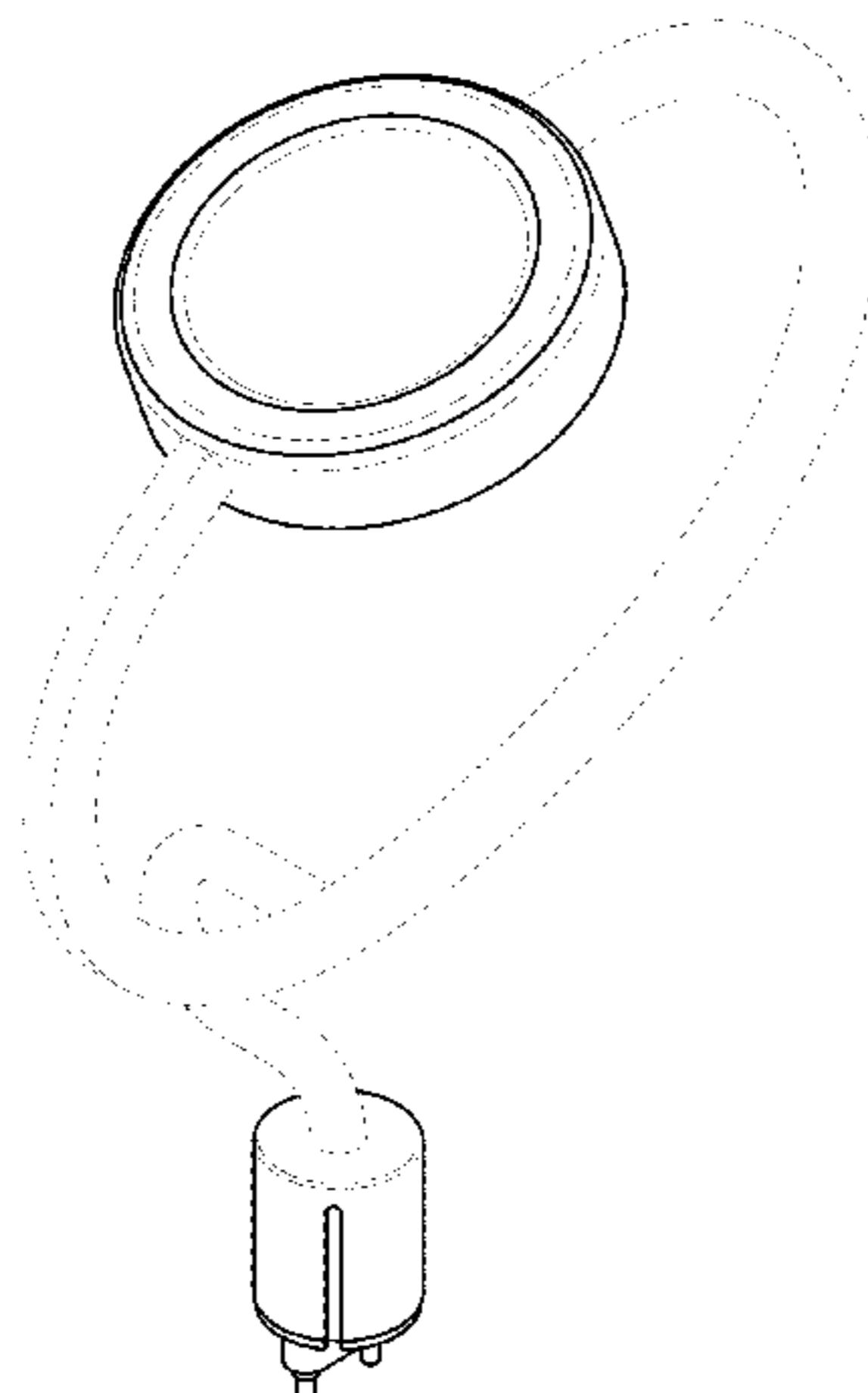
(57) **CLAIM**

The ornamental design for a display stand, as shown and described.

DESCRIPTION

FIG. 1 is a top front perspective view of a display stand showing our new design;
FIG. 2 is a front view thereof;
FIG. 3 is a rear view thereof;
FIG. 4 is a left side view thereof;
FIG. 5 is a right side view thereof;
FIG. 6 is a top view thereof;
FIG. 7 is a bottom view thereof; and,
FIG. 8 is a right side view thereof showing the display stand in an environment in which it may be used.

(Continued)



The broken lines in the figures show portions of the display stand or environment that form no part of the claimed design.

1 Claim, 6 Drawing Sheets

Related U.S. Application Data

Oct. 5, 2015, now Pat. No. Des. 753,942, which is a continuation of application No. 29/500,897, filed on Aug. 29, 2014, now Pat. No. Des. 740,060.

(56)

References Cited

U.S. PATENT DOCUMENTS

D209,359	S	11/1967	Schuler
5,136,557	A	8/1992	Plawker et al.
5,181,608	A	1/1993	Herzog
5,377,822	A	1/1995	Herzog
5,579,906	A	12/1996	Fabbri et al.
D379,758	S	6/1997	ChuLee
5,799,911	A	9/1998	Dostie et al.
D409,416	S	5/1999	Au
6,109,279	A	8/2000	Kloss et al.
6,264,148	B1	7/2001	Chandler
D478,740	S	8/2003	Kirshner
D499,903	S	12/2004	Zanghi et al.
D502,338	S	3/2005	Zanghi et al.
D540,065	S	4/2007	Harris

D577,990	S	10/2008	Andre et al.	
D589,645	S	* 3/2009	Citterio	D26/107
D599,241	S	9/2009	Andre et al.	
D643,844	S	8/2011	Akana et al.	
D662,939	S	7/2012	Akana et al.	
D665,754	S	8/2012	Cobbett et al.	
D669,627	S	* 10/2012	Huang	D26/107
D693,516	S	* 11/2013	Copeland	D26/107
D696,259	S	12/2013	Howarth et al.	
D709,066	S	7/2014	Byun	
D735,131	S	7/2015	Akana et al.	
D737,606	S	* 9/2015	King	D6/682
D740,060	S	10/2015	Akana et al.	
D753,942	S	4/2016	Akana et al.	
D770,456	S	11/2016	Akana et al.	
D777,482	S	* 1/2017	Schwalbach	D6/677.4
D789,123	S	6/2017	Akana et al.	
D792,133	S	* 7/2017	Schwalbach	D6/682.3
D794,984	S	8/2017	Green	
D805,331	S	12/2017	De Iuliis et al.	
D810,478	S	2/2018	Akana et al.	
D813,576	S	3/2018	Schwalbach et al.	
D826,604	S	* 8/2018	De Iuliis	D6/682
D838,524	S	* 1/2019	Akana	D6/682
D841,373	S	* 2/2019	Akana	D6/677
2007/0229025	A1	10/2007	Tsai et al.	
2007/0293079	A1	12/2007	Chao et al.	
2011/0084838	A1	4/2011	Fawcett	
2014/0073183	A1	3/2014	Golko et al.	
2014/0073206	A1	3/2014	Golko et al.	
2014/0075051	A1	3/2014	Zadesky et al.	
2014/0075067	A1	3/2014	Mullins et al.	

* cited by examiner

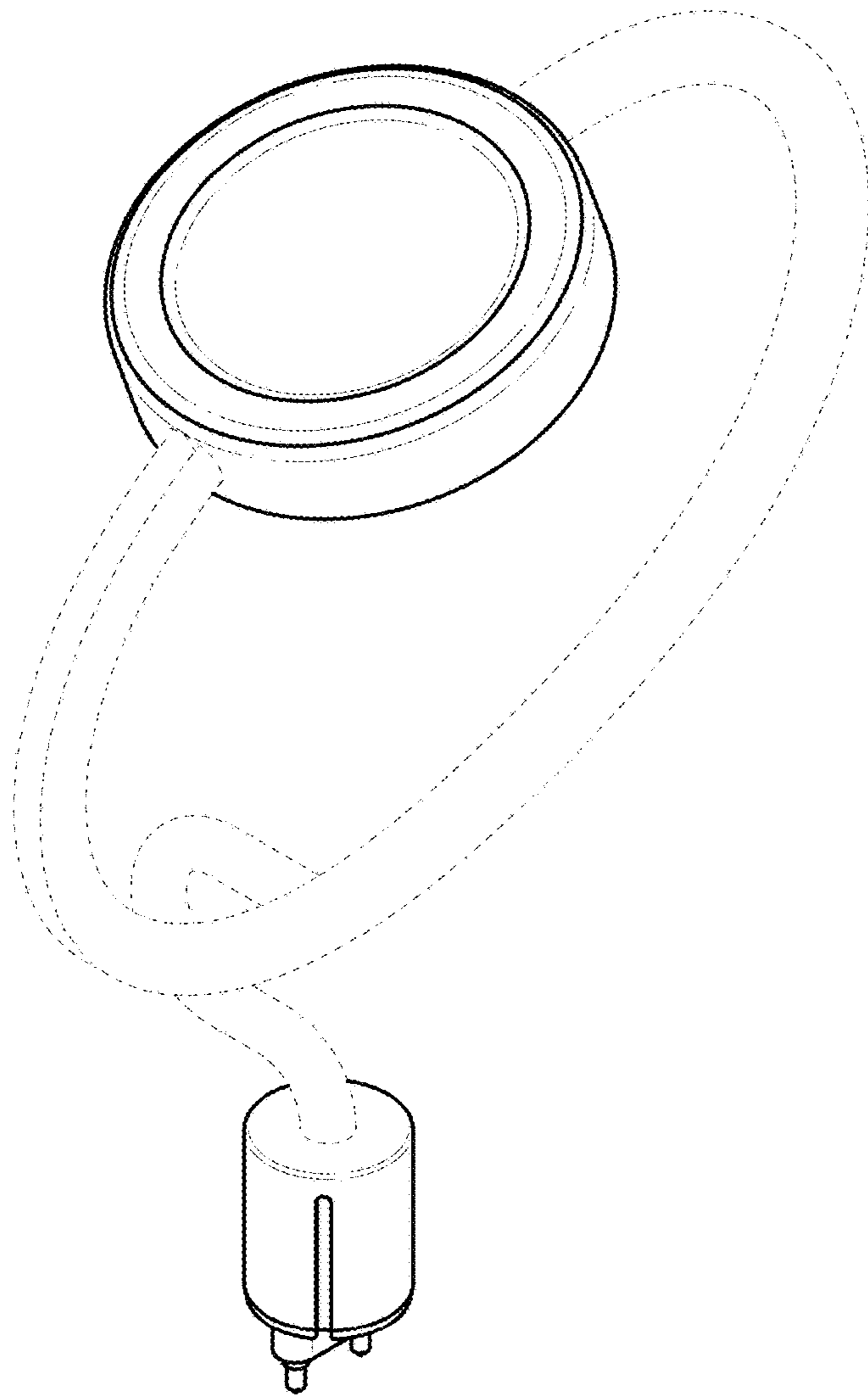


FIG. 1

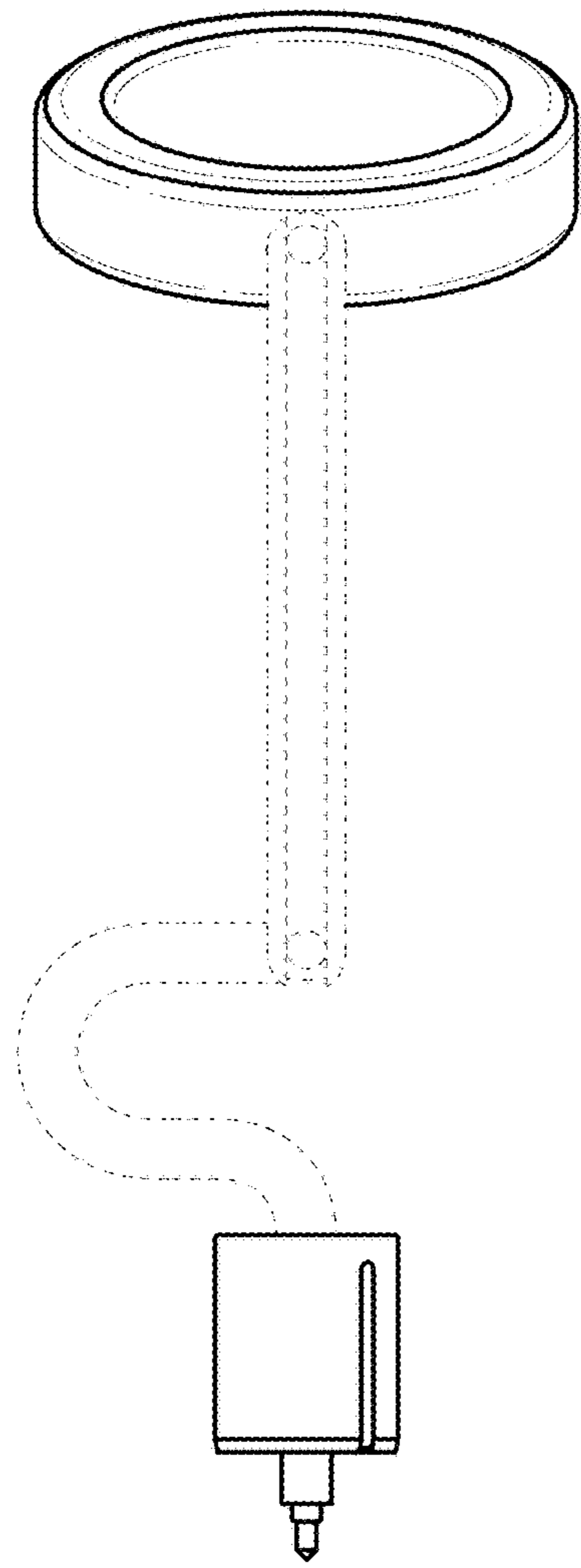


FIG. 2

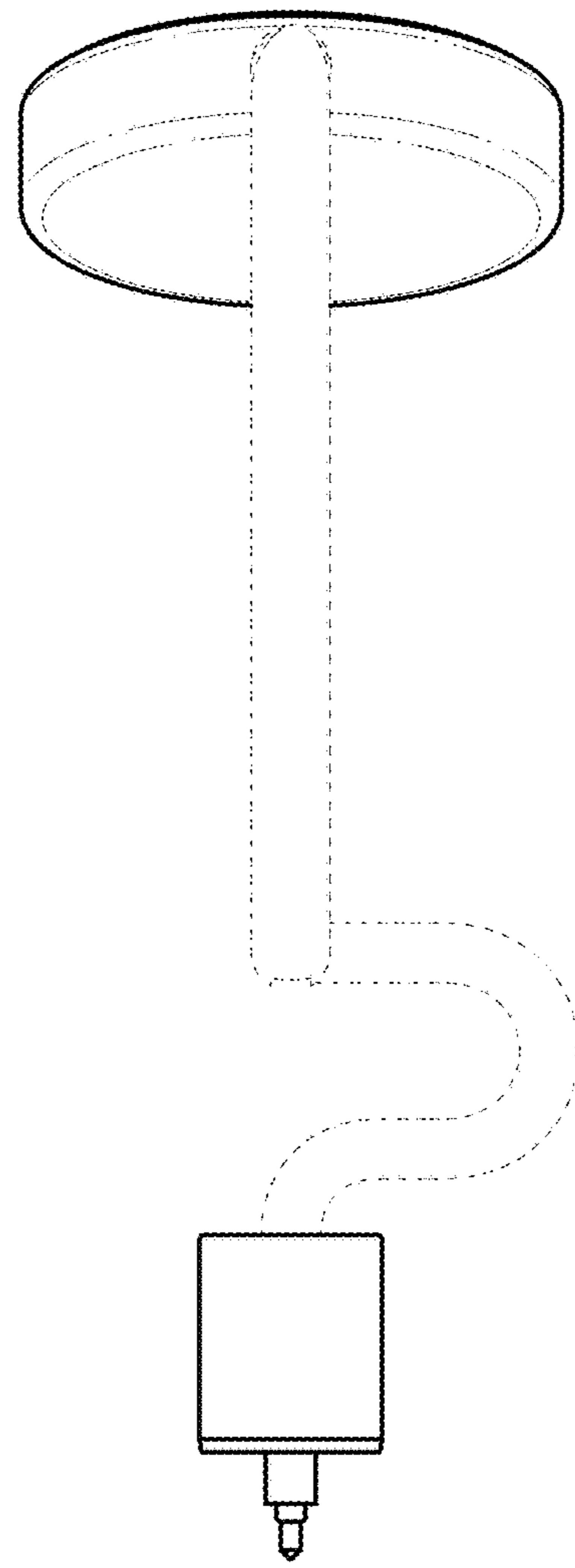


FIG. 3

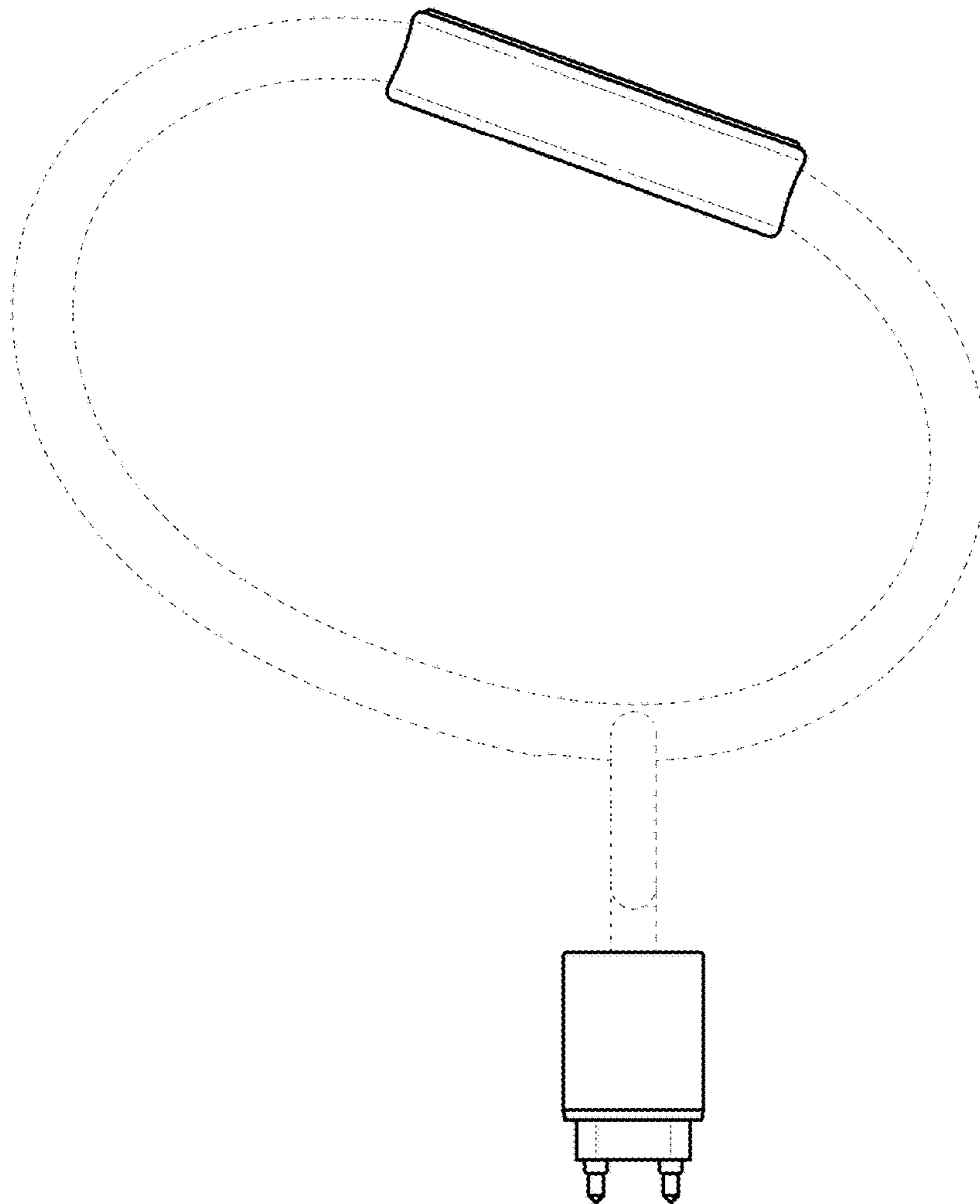


FIG. 4

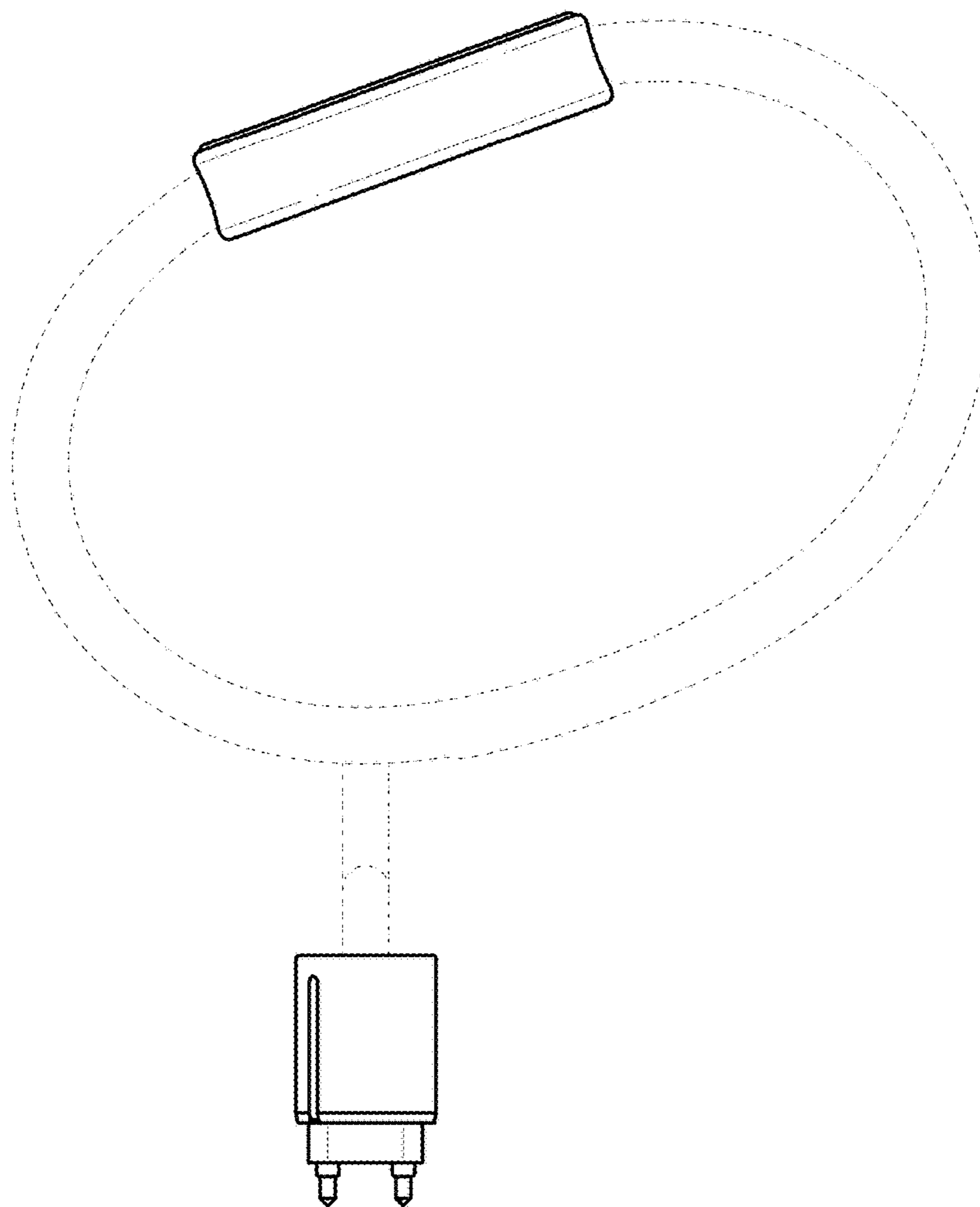


FIG. 5

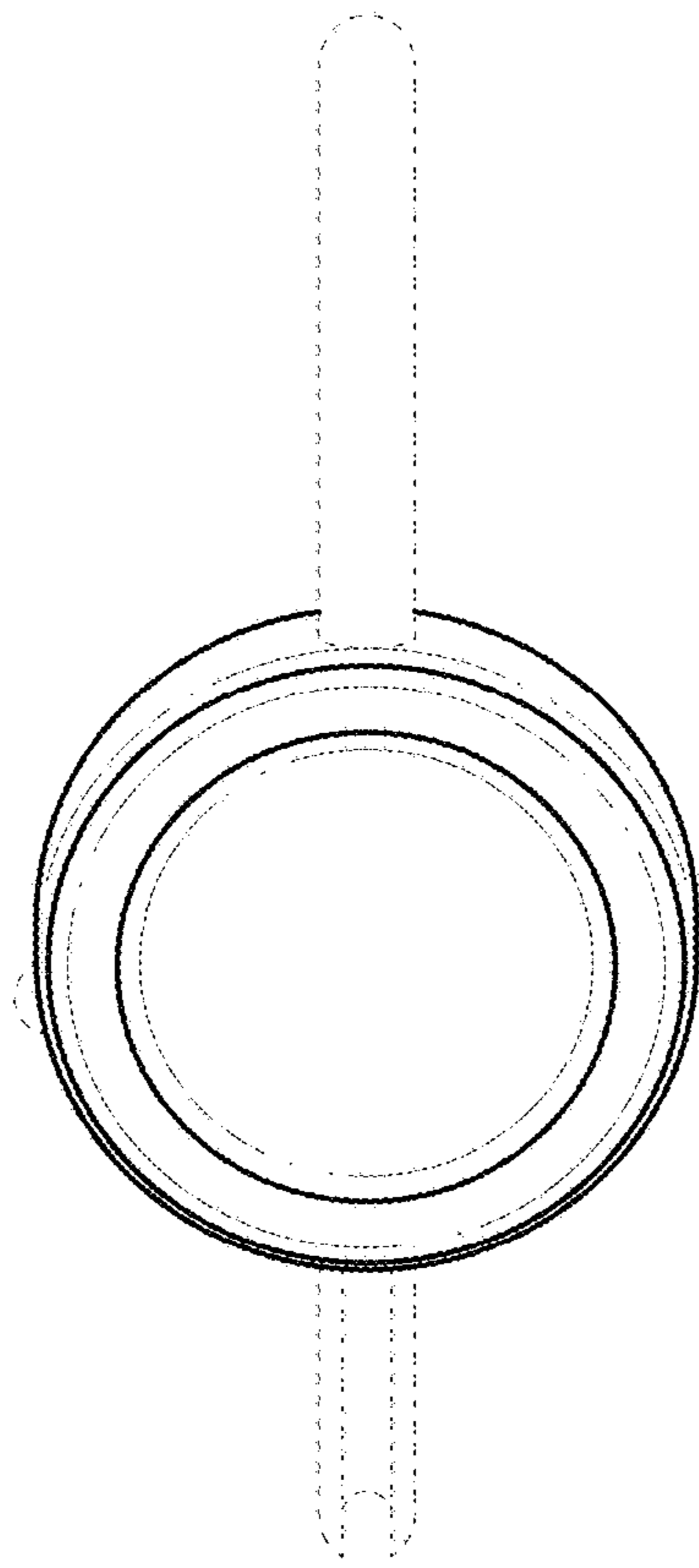


FIG. 6

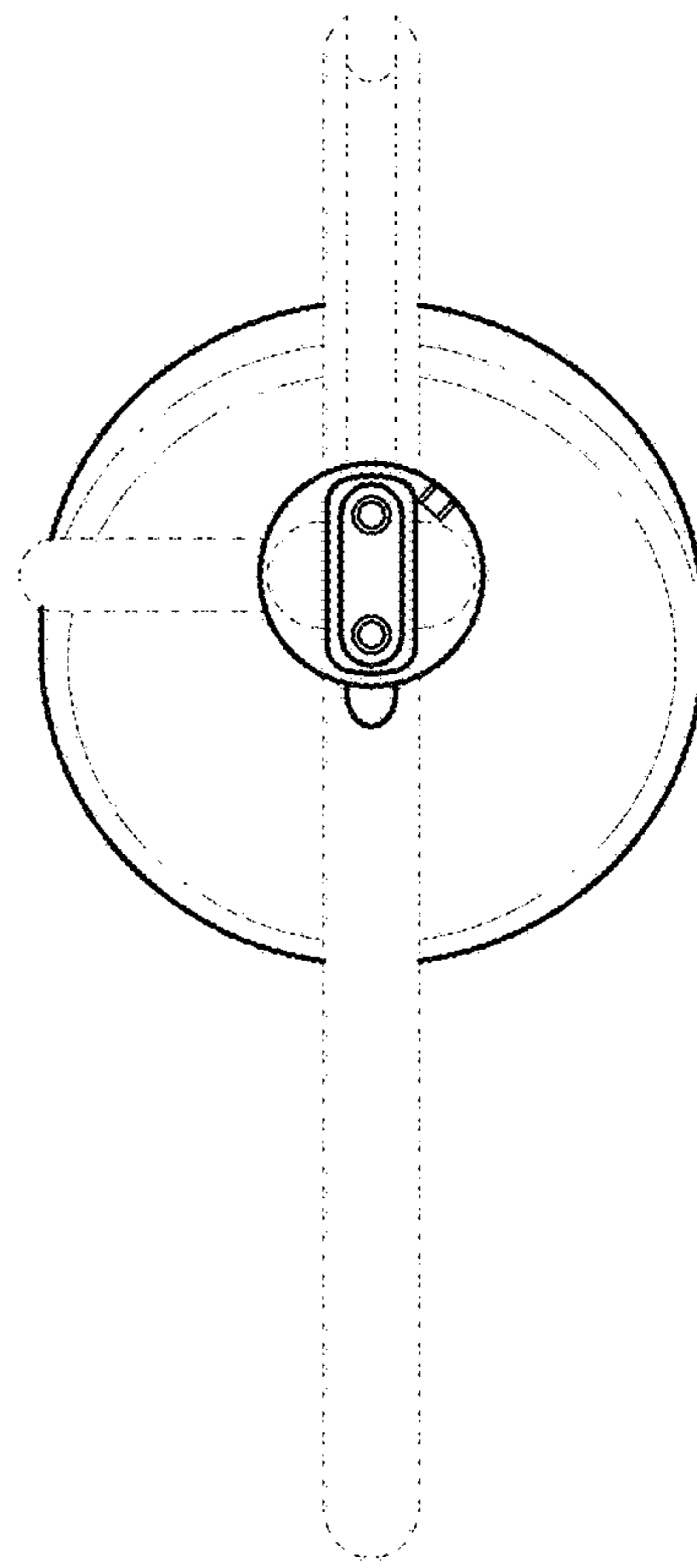


FIG. 7

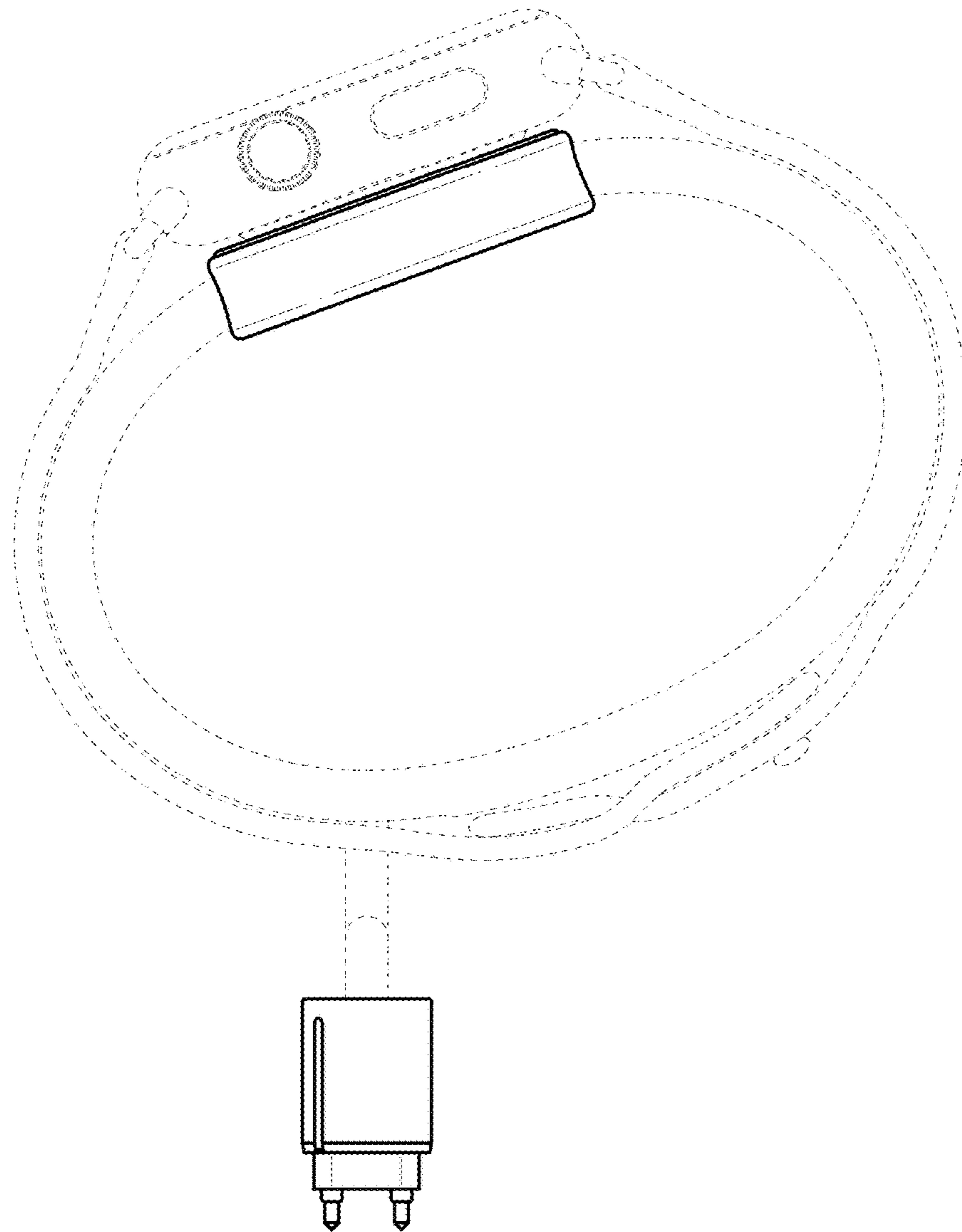


FIG. 8