



US00D856045S

(12) **United States Design Patent** (10) **Patent No.:** **US D856,045 S**  
**Schwalbach et al.** (45) **Date of Patent:** **\*\* Aug. 13, 2019**

(54) **DISPLAY STAND COMPONENT**

CPC .. A47F 5/0884; A47F 5/12; A47F 7/00; A47F 7/02; A47F 7/022

(71) Applicant: **Apple Inc.**, Cupertino, CA (US)

See application file for complete search history.

(72) Inventors: **Charles A. Schwalbach**, Menlo Park, CA (US); **Sheng Yang**, Mountain View, CA (US); **Russell John Kaaihue Heirakuji**, Cupertino, CA (US); **Carly Lynn Marasco**, Los Gatos, CA (US); **Michael Gorman**, Dublin, CA (US)

(56) **References Cited**

U.S. PATENT DOCUMENTS

D214,768 S 7/1969 Hillis  
D244,857 S 6/1977 Hayes  
(Continued)

(73) Assignee: **Apple Inc.**, Cupertino, CA (US)

FOREIGN PATENT DOCUMENTS

(\*\*) Term: **15 Years**

JP D1430086 12/2011  
KR 30-0337376 11/2003

(21) Appl. No.: **29/672,734**

OTHER PUBLICATIONS

(22) Filed: **Dec. 7, 2018**

“Freedom Series,” Takachiho Koheki Co., Ltd., cited in Office Action dated Apr. 6, 2016, in Japanese Patent Application No. 2015-009263, Apple Inc., filed Apr. 24, 2015.

**Related U.S. Application Data**

(63) Continuation of application No. 29/641,661, filed on Mar. 23, 2018, now Pat. No. Des. 835,440, which is a continuation of application No. 29/609,617, filed on Jul. 3, 2017, now Pat. No. Des. 813,576, which is a continuation of application No. 29/588,391, filed on Dec. 20, 2016, now Pat. No. Des. 792,133, and a continuation of application No. 29/588,390, filed on Dec. 20, 2016, now Pat. No. Des. 791,521, and a continuation of application No. 29/564,382, filed on May 12, 2016, now Pat. No. Des. 777,482, and a continuation of application No. 29/564,382, filed on May 12, 2016, now Pat. No. Des. 777,482, which is a continuation of application No. 29/537,088, filed on Aug. 21, 2015, now Pat. No. Des. 756,152, which is a continuation of application No. 29/507,269, filed on Oct. 24, 2014, now Pat. No. Des. 737,081.

*Primary Examiner* — Kelley A Donnelly

(74) *Attorney, Agent, or Firm* — Sterne, Kessler, Goldstein & Fox P.L.L.C.

(51) **LOC (12) Cl.** ..... **06-06**

(52) **U.S. Cl.**  
USPC ..... **D6/682**

(58) **Field of Classification Search**  
USPC ..... D6/672, 677, 678, 681, 681.1, 682, D6/682.1, 682.3, 512; D3/903; D9/671

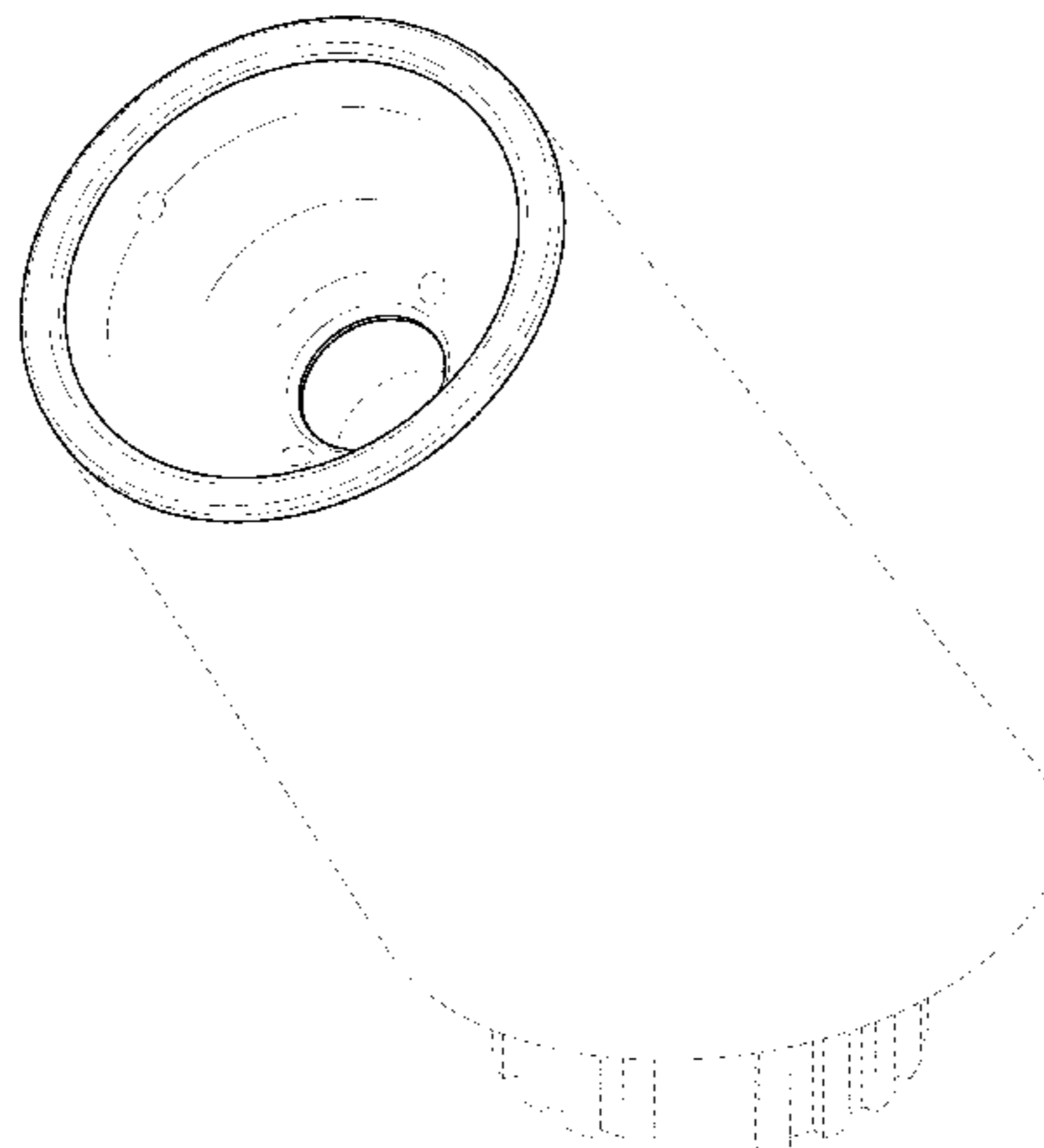
(57) **CLAIM**

The ornamental design for a display stand component, as shown and described.

**DESCRIPTION**

FIG. 1 is a top front perspective view of a display stand component showing our new design; FIG. 2 is a front view thereof; FIG. 3 is a rear view thereof; FIG. 4 is a left side view thereof; FIG. 5 is a right side view thereof; FIG. 6 is a top view thereof; and, FIG. 7 is a bottom view thereof.

(Continued)



The dashed broken lines in the figures show portions of the display stand component that form no part of the claimed design.

**1 Claim, 7 Drawing Sheets**

(56)

**References Cited**

U.S. PATENT DOCUMENTS

D250,801 S 1/1979 Bergen et al.  
 D268,743 S 4/1983 Lubin  
 D314,501 S 2/1991 Pagano  
 D367,408 S 2/1996 Fordyce  
 D393,959 S 5/1998 Geier et al.  
 D407,408 S 3/1999 Hoff  
 D413,035 S 8/1999 Weterrings et al.  
 6,109,569 A 8/2000 Sakaida  
 D446,043 S 8/2001 Stoppenhagen et al.  
 6,476,717 B1 11/2002 Gross et al.  
 D485,710 S 1/2004 Burkhart et al.  
 D488,741 S 4/2004 Moya  
 D490,559 S 5/2004 Small  
 D510,358 S 10/2005 Ezure  
 D510,822 S 10/2005 Spiers et al.  
 7,209,038 B1 4/2007 Deconinck et al.  
 D542,279 S 5/2007 Chan  
 D545,826 S 7/2007 Richter  
 D588,438 S 3/2009 Keller  
 D589,962 S 4/2009 Maruyama et al.  
 D590,184 S 4/2009 Barabas et al.  
 D599,241 S 9/2009 Andre et al.  
 D608,718 S 1/2010 Nas et al.  
 D612,837 S 3/2010 Murray  
 7,724,135 B2 5/2010 Rapp et al.  
 D617,383 S 6/2010 Yoon  
 7,740,214 B2 6/2010 Marsilio et al.  
 7,748,669 B2 7/2010 Lu et al.  
 D628,203 S 11/2010 Noble  
 D629,405 S 12/2010 Crysell  
 D633,973 S 3/2011 Ringl  
 D641,610 S 7/2011 Sedalo  
 D645,047 S 9/2011 Wike  
 8,020,816 B2 9/2011 Laitila et al.  
 D652,422 S 1/2012 Cheng  
 8,087,625 B2 1/2012 Chang  
 8,145,821 B2 3/2012 Mead et al.

D663,972 S 7/2012 Alexander et al.  
 D673,960 S 1/2013 Lindfield et al.  
 D682,814 S 5/2013 Kadivar et al.  
 D685,253 S 7/2013 Hiebert  
 D687,440 S 8/2013 Shieh  
 D695,714 S 12/2013 Lee  
 D696,259 S 12/2013 Howarth et al.  
 D696,674 S 12/2013 Vogel  
 D703,657 S 4/2014 Camevali  
 D704,199 S 5/2014 Byun  
 D709,066 S 7/2014 Byun  
 D709,357 S 7/2014 Bell  
 D709,607 S 7/2014 Wang  
 D720,752 S \* 1/2015 Bleads ..... D14/420  
 D721,510 S \* 1/2015 Hagerty ..... D6/303  
 D728,576 S \* 5/2015 David ..... D14/434  
 D729,043 S 5/2015 Poppell  
 D731,496 S 6/2015 Voorhees  
 D733,967 S 7/2015 Schlatter  
 D734,746 S 7/2015 Vogel  
 D735,162 S 7/2015 Allen  
 D741,093 S 10/2015 McKinney et al.  
 D743,941 S 11/2015 Patsis  
 D744,621 S 12/2015 Shavatt et al.  
 D764,478 S 8/2016 Radmard  
 D769,852 S 10/2016 Godycki et al.  
 D771,614 S \* 11/2016 Chang ..... D14/253  
 D775,874 S \* 1/2017 Huang ..... D6/677.4  
 D789,373 S 6/2017 King  
 D792,133 S 7/2017 Schwalbach et al.  
 D798,636 S \* 10/2017 Van Ledingham, Jr. ....  
 D6/677.4  
 D803,208 S 11/2017 Cai  
 D803,840 S \* 11/2017 Burmester ..... D14/447  
 D806,455 S \* 1/2018 Hendren ..... D6/682.3  
 D841,373 S \* 2/2019 Akana ..... D6/677  
 2006/0198692 A1 9/2006 Petit  
 2009/0218240 A1 9/2009 Allen et al.  
 2011/0047844 A1 3/2011 Fawcett et al.  
 2011/0068919 A1 3/2011 Rapp et al.  
 2011/0084838 A1 \* 4/2011 Fawcett ..... A47F 7/024  
 340/568.8  
 2011/0187531 A1 8/2011 Oehl et al.  
 2012/0188082 A1 7/2012 Berglund et al.  
 2012/0280810 A1 11/2012 Wheeler  
 2014/0106608 A1 \* 4/2014 Howarth ..... F16M 13/02  
 439/531  
 2014/0138419 A1 5/2014 Minn et al.  
 2015/0021458 A1 1/2015 Zorovich et al.

\* cited by examiner

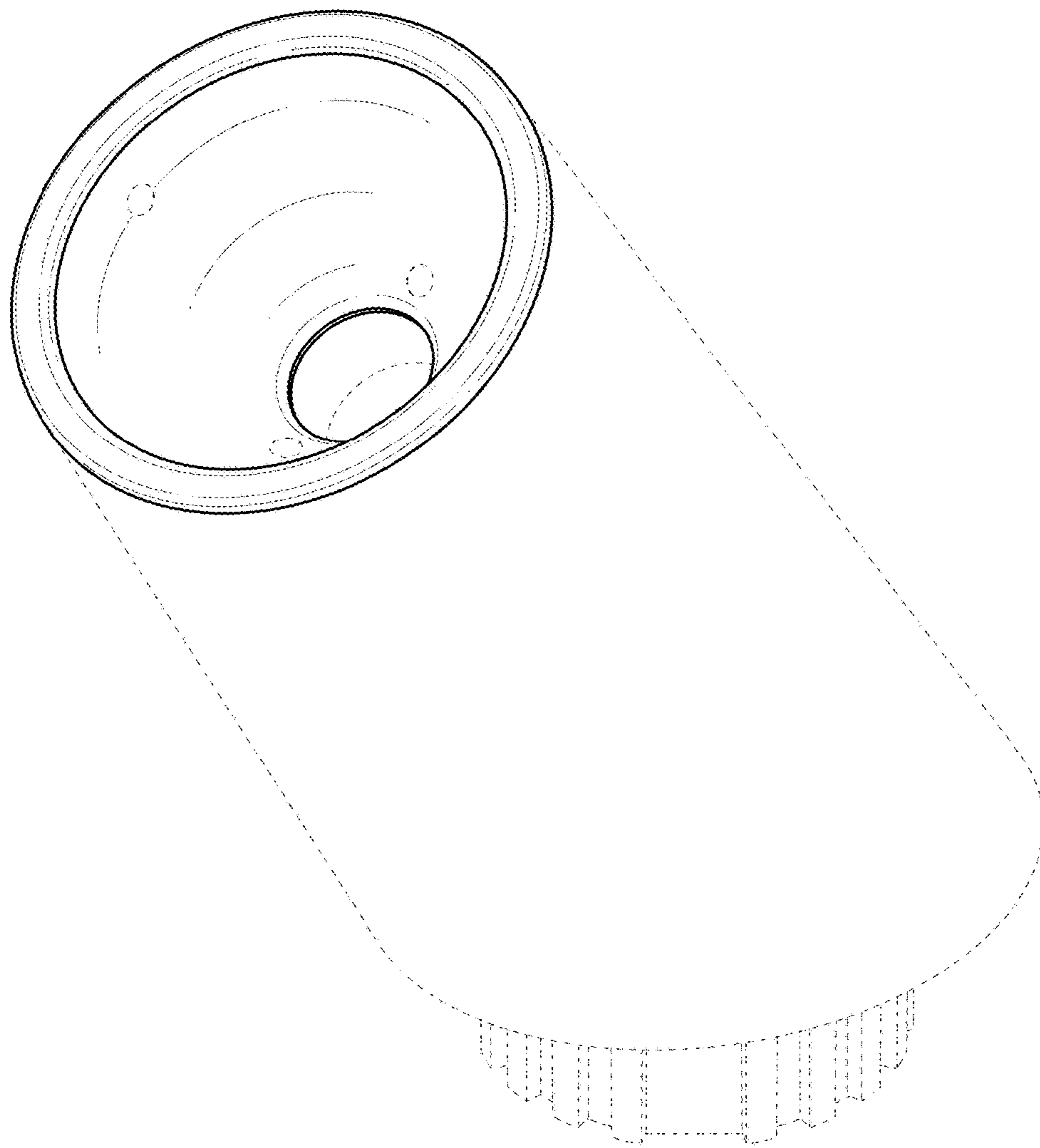


FIG. 1

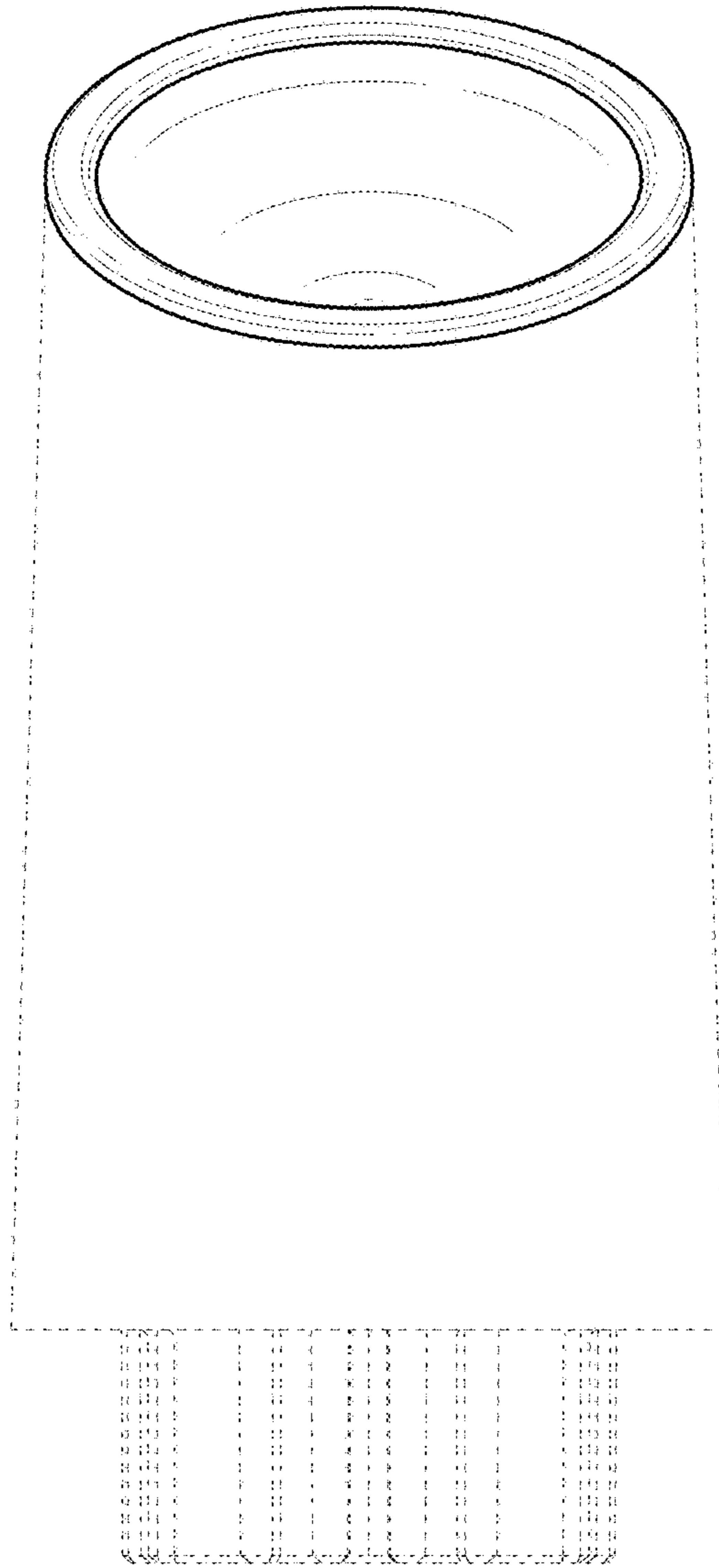


FIG. 2

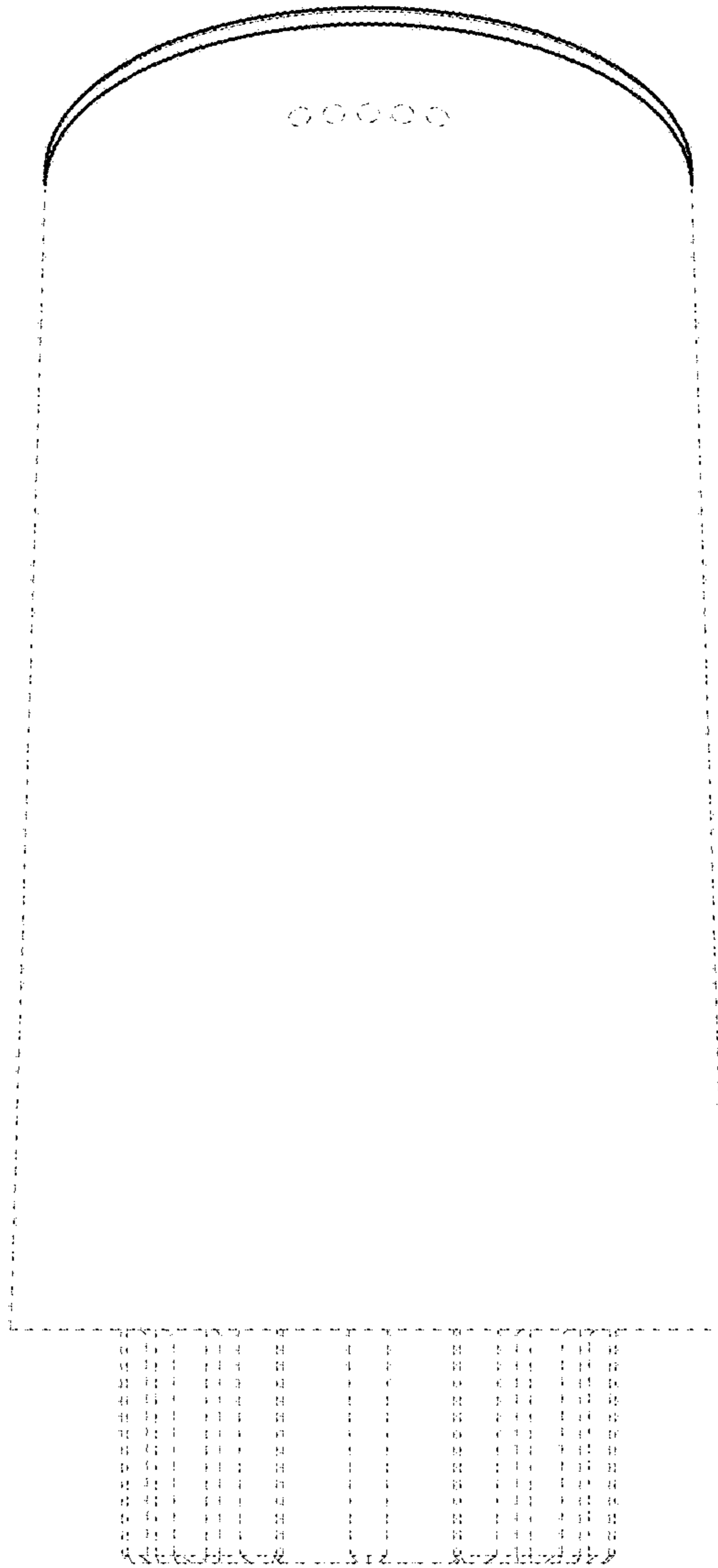


FIG. 3

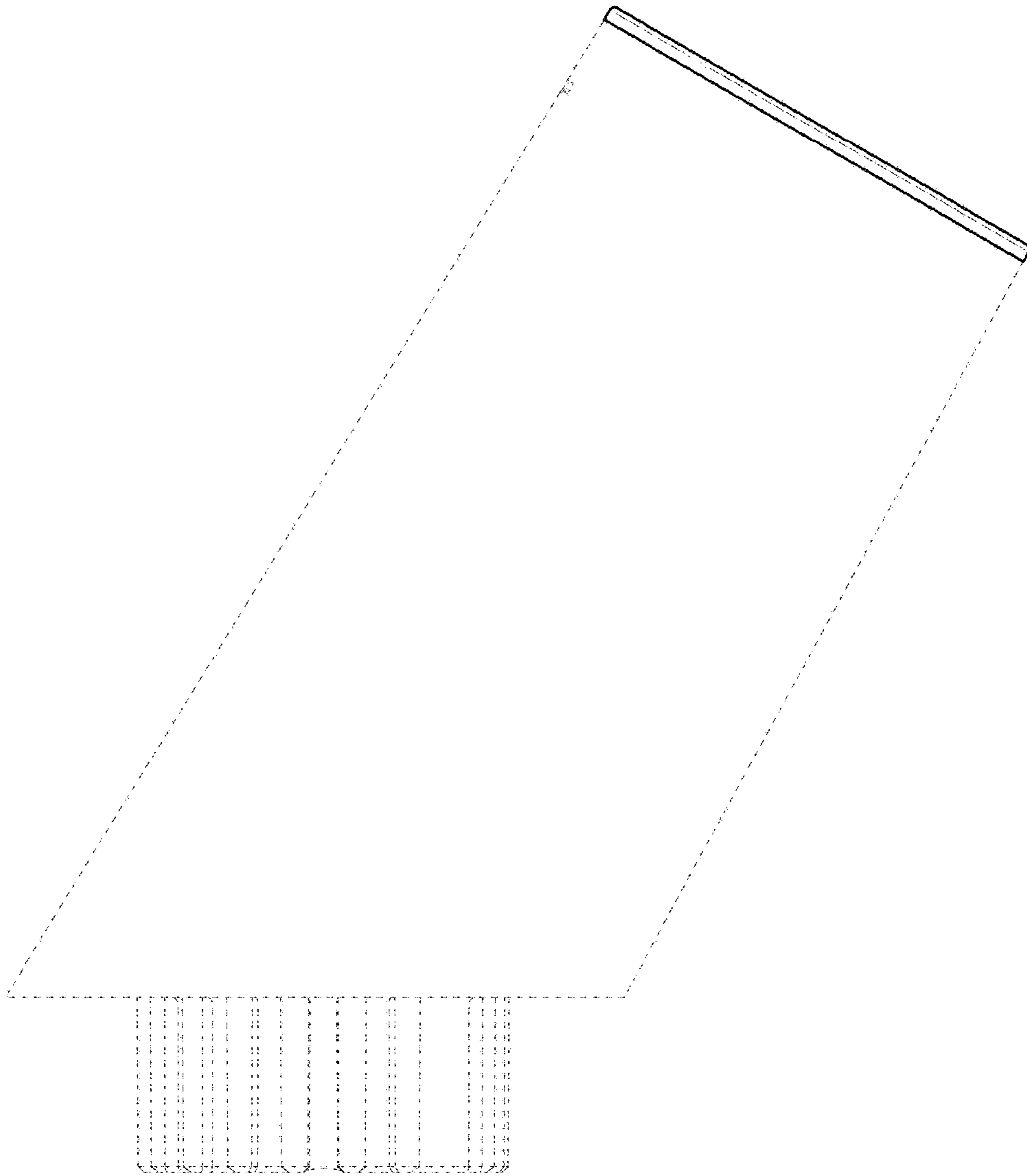


FIG. 4

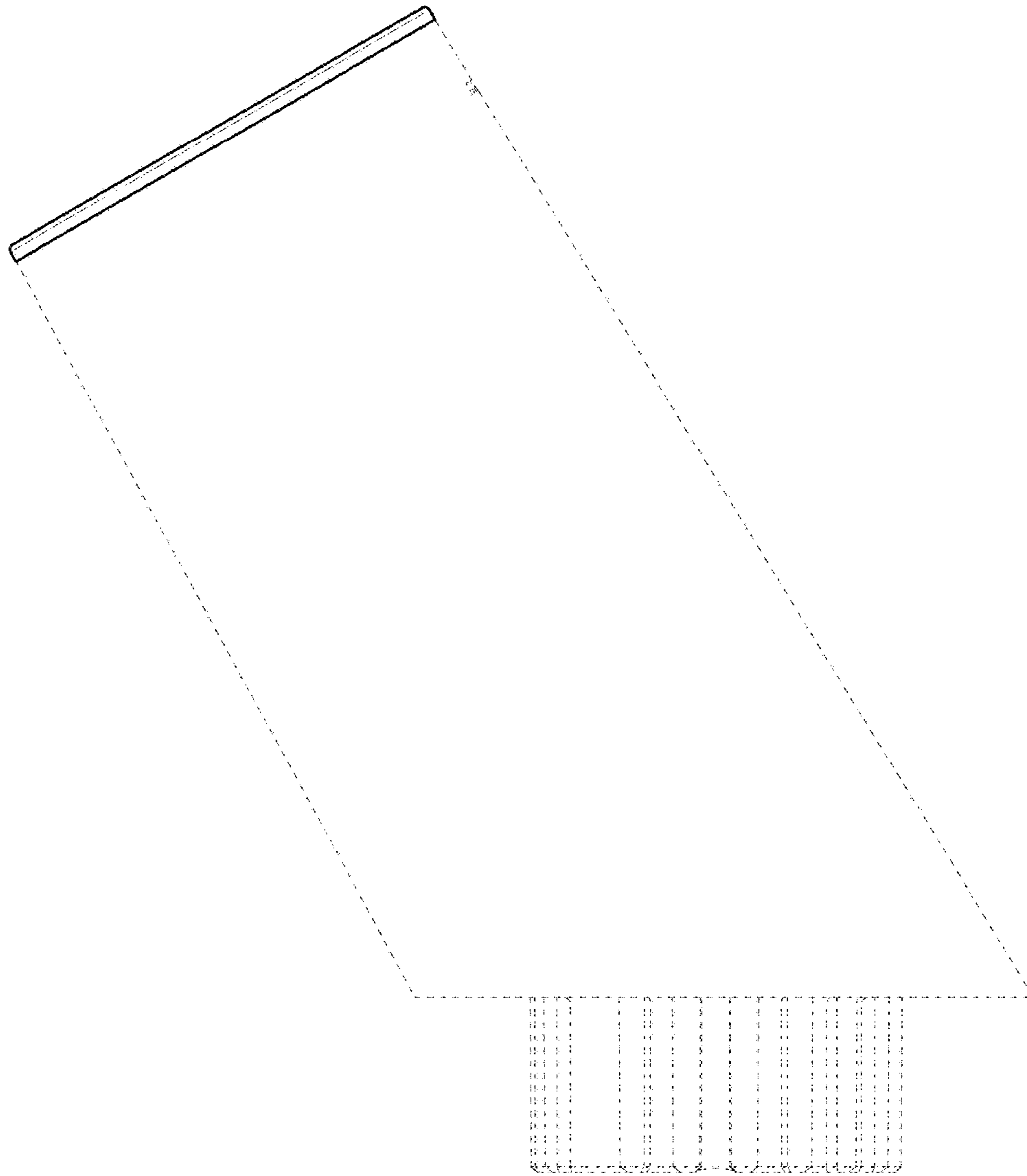


FIG. 5

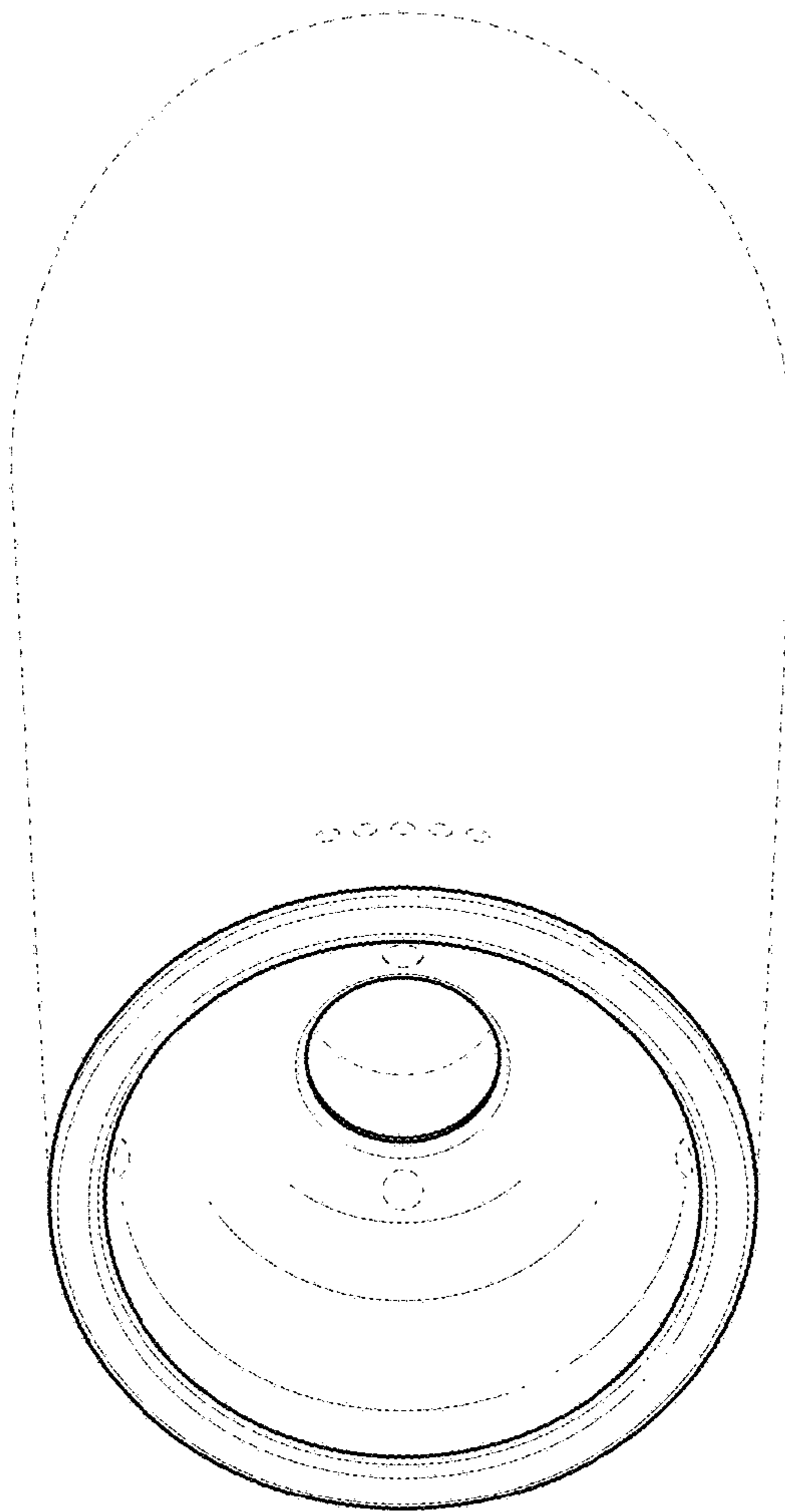


FIG. 6



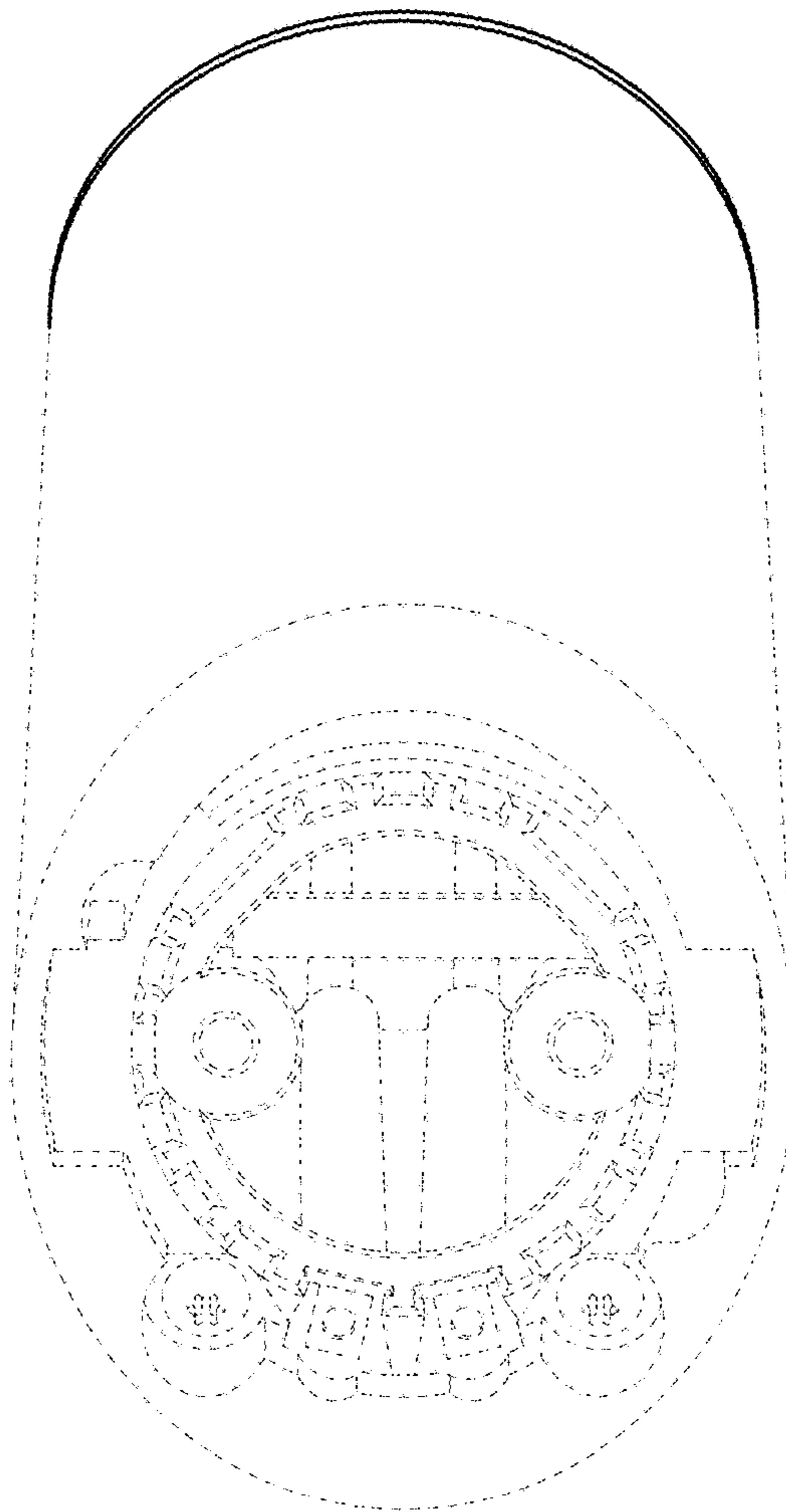


FIG. 7

UNITED STATES PATENT AND TRADEMARK OFFICE  
**CERTIFICATE OF CORRECTION**

PATENT NO. : D856,045 S  
APPLICATION NO. : 29/672734  
DATED : August 13, 2019  
INVENTOR(S) : Schwalbach et al.

Page 1 of 1

It is certified that error appears in the above-identified patent and that said Letters Patent is hereby corrected as shown below:

On the Title Page

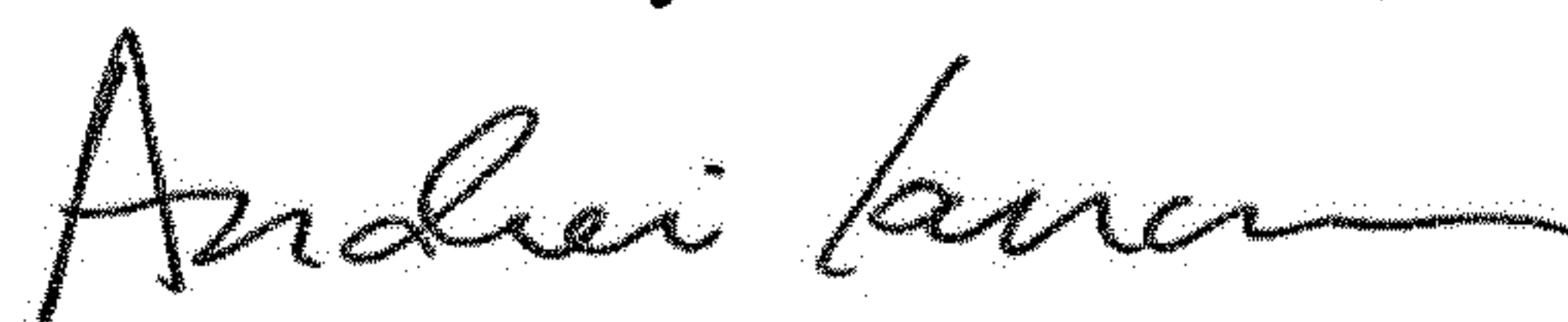
Item (63), replace:

“Continuation of application No. 29/641,661, filed on Mar. 23, 2018, now Pat. No. Des. 835,440, which is a continuation of application No. 29/609,617, filed on Jul. 3, 2017, now Pat. No. Des. 813,576, which is a continuation of application No. 29/588,391, filed on Dec. 20, 2016, now Pat. No. Des. 792,133, and a continuation of application No. 29/588,390, filed on Dec. 20, 2016, now Pat. No. Des. 791,521, and a continuation of application No. 29/564,382, filed on May 12, 2016, now Pat. No. Des. 777,482, and a continuation of application No. 29/564,382, filed on May 12, 2016, now Pat. No. Des. 777,482, which is a continuation of application No. 29/537,088, filed on Aug. 21, 2015, now Pat. No. Des. 756,152, which is a continuation of application No. 29/507,269, filed on Oct. 24, 2014, now Pat. No. Des. 737,081.”

With:

--Continuation of application No. 29/641,661, filed on Mar. 23, 2018, now Pat. No. Des. 835,440, which is a continuation of application No. 29/609,617, filed on Jul. 3, 2017, now Pat. No. Des. 813,576, which is a continuation of application No. 29/588,390, filed on Dec. 20, 2016, now Pat. No. Des. 791,521, and a continuation of application No. 29/588,391, filed on Dec. 20, 2016, now Pat. No. Des. 792,133, said application No. 29/588,390 is a continuation of Application No. 29/564,382, filed on May 12, 2016, now Pat. No. Des. 777,482, said application No. 29/588,391 is a continuation of application No. 29/564,382, which is a continuation of application No. 29/537,088, filed on Aug. 21, 2015, now Pat. No. Des. 756,152, which is a continuation of application No. 29/507,269, filed on Oct. 24, 2014, now Pat. No. Des. 737,081.--

Signed and Sealed this  
Nineteenth Day of November, 2019



Andrei Iancu  
Director of the United States Patent and Trademark Office