



US00D856044S

(12) **United States Design Patent**  
**Fischer**

(10) **Patent No.:** **US D856,044 S**

(45) **Date of Patent:** **\*\* Aug. 13, 2019**

(54) **PENDANT STAND**

(71) Applicant: **John G. Fischer**, Irving, TX (US)

(72) Inventor: **John G. Fischer**, Irving, TX (US)

(73) Assignee: **Tooth Fairy Designs, Inc.**, Irving, TX (US)

(\*\*) Term: **15 Years**

(21) Appl. No.: **29/666,829**

(22) Filed: **Oct. 16, 2018**

**Related U.S. Application Data**

(62) Division of application No. 29/573,624, filed on Aug. 8, 2016, now Pat. No. Des. 834,358.

(51) **LOC (12) Cl.** ..... **06-06**

(52) **U.S. Cl.**  
USPC ..... **D6/677**

(58) **Field of Classification Search**

USPC ..... D6/672, 673, 677, 677.5, 678, 681,  
D6/681.1, 682, 682.5; D7/600.1, 601,  
D7/602

CPC .... A47F 5/00; A47F 5/006; A47F 5/04; A47F  
7/00; A47F 7/002; A47F 7/02; A47F  
7/0071

See application file for complete search history.

(56) **References Cited**

**U.S. PATENT DOCUMENTS**

D267,445 S *	1/1983	Watson	.....	D6/681.1
D288,154 S *	2/1987	Hobgood	.....	D11/131
D300,790 S *	4/1989	Beckwith	.....	D11/131
D335,401 S *	5/1993	Nations	.....	D11/131
D364,757 S *	12/1995	Jaeger	.....	D3/18
D404,973 S *	2/1999	Goodman	.....	D7/601
D538,109 S *	3/2007	Goodman	.....	D7/601
D545,081 S *	6/2007	Lara	.....	D6/677
D613,524 S *	4/2010	Jeffers	.....	D6/682

D613,961 S *	4/2010	Lin	.....	D6/682.1
D631,297 S *	1/2011	Goodman	.....	D7/601
D643,231 S *	8/2011	Huang	.....	D6/672
D644,041 S *	8/2011	Bugio	.....	D6/403
D651,675 S *	1/2012	Norton	.....	D21/787
D694,069 S *	11/2013	Goodman	.....	D7/601
D697,373 S *	1/2014	Goodman	.....	D7/601
D698,203 S *	1/2014	Goodman	.....	D7/601
D698,204 S *	1/2014	Goodman	.....	D7/601
D724,072 S *	3/2015	Jiang	.....	D14/253

(Continued)

*Primary Examiner* — Kelley A Donnelly

(74) *Attorney, Agent, or Firm* — John G. Fischer, Esq.;  
Scheef & Stone, L.L.P.

(57) **CLAIM**

The ornamental design for a pendant stand, as shown and described.

**DESCRIPTION**

FIG. 1 is a perspective view of my new design for a pendant stand;

FIG. 2 is a front view thereof;

FIG. 3 is a rear view thereof;

FIG. 4 is a right side view thereof;

FIG. 5 is a left side view thereof;

FIG. 6 is a top view thereof; and

FIG. 7 is a bottom view thereof.

FIG. 8 is a perspective view of an alternative embodiment of my new design for a pendant stand;

FIG. 9 is a front view thereof;

FIG. 10 is a rear view thereof;

FIG. 11 is a right side view thereof;

FIG. 12 is a left side view thereof;

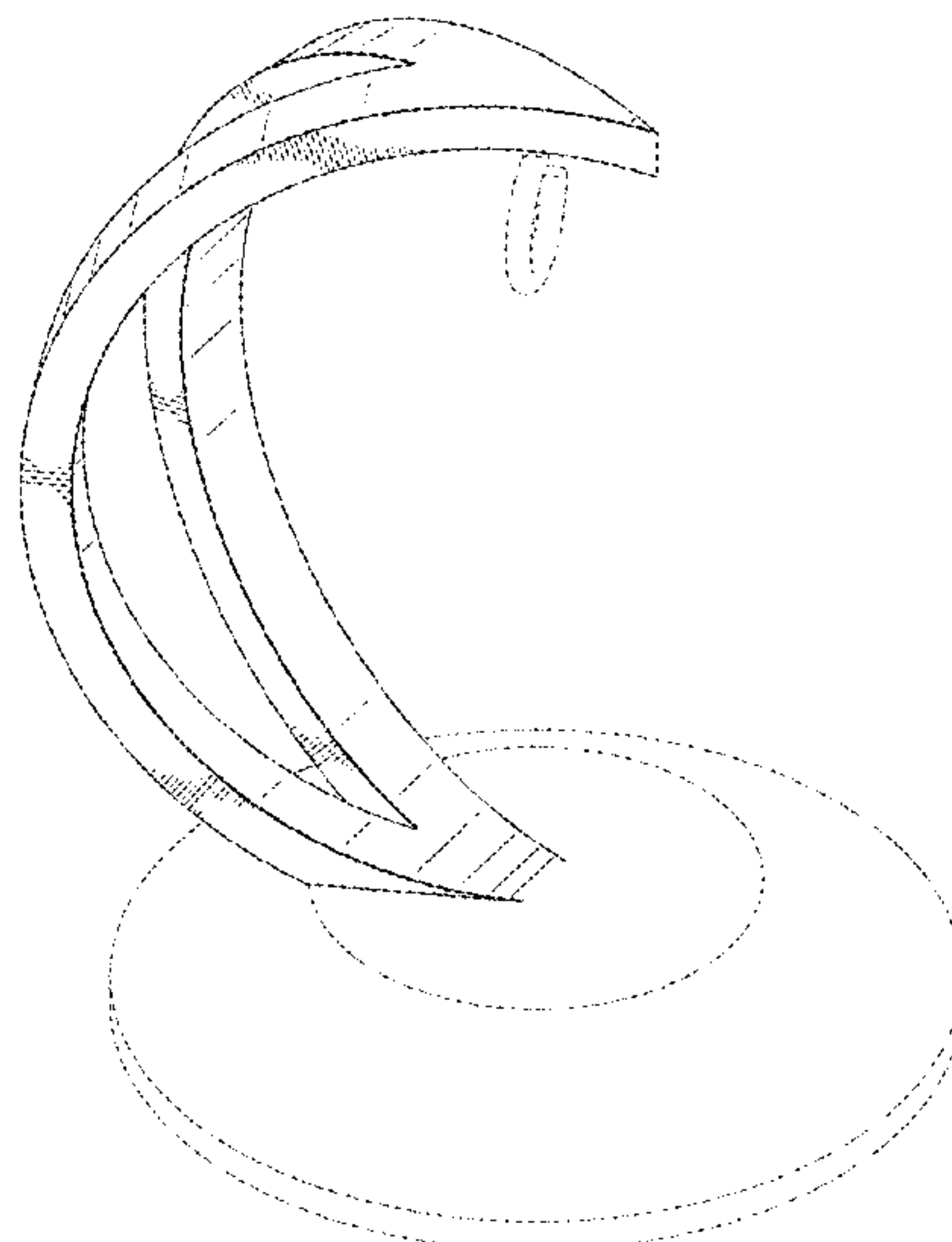
FIG. 13 is a top view thereof;

FIG. 14 is a bottom view thereof; and,

FIG. 15 is a bottom perspective view thereof.

The broken lines depict environmental subject matter only and form no part of the claimed design.

**1 Claim, 15 Drawing Sheets**



(56)

**References Cited**

U.S. PATENT DOCUMENTS

D737,606	S	*	9/2015	King	.....	D6/682
D753,941	S	*	4/2016	Boen	.....	D6/681.1
D766,046	S	*	9/2016	Guindi	.....	D7/601
D768,443	S	*	10/2016	Goodman	.....	D7/601
D784,056	S	*	4/2017	Van Herpe	.....	D6/682
D785,380	S	*	5/2017	King	.....	D6/681
D787,891	S	*	5/2017	Goodman	.....	D7/601
D788,080	S	*	5/2017	Turksu	.....	D14/224
D788,542	S	*	6/2017	Goodman	.....	D7/601
D794,395	S	*	8/2017	Goodman	.....	D7/601
D794,984	S	*	8/2017	Green	.....	D6/682.5
D806,450	S	*	1/2018	Seong	.....	D6/672
D828,843	S	*	9/2018	Foldvary	.....	D14/447
D834,358	S	*	11/2018	Fischer	.....	D6/677
D839,642	S	*	2/2019	Fischer	.....	D6/677
2018/0035826	A1	*	2/2018	Fischer	.....	F16M 11/041

\* cited by examiner

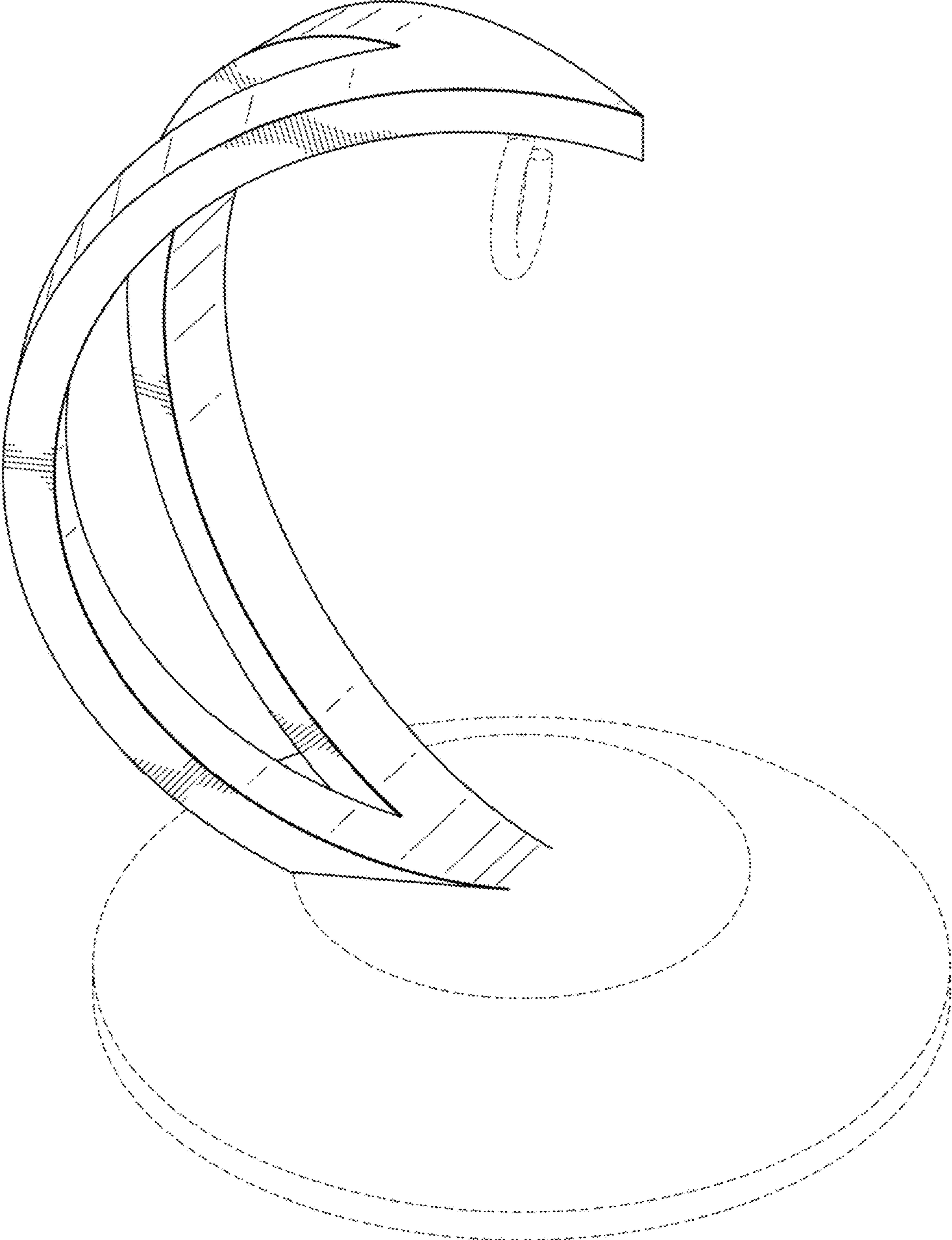


FIG. 1

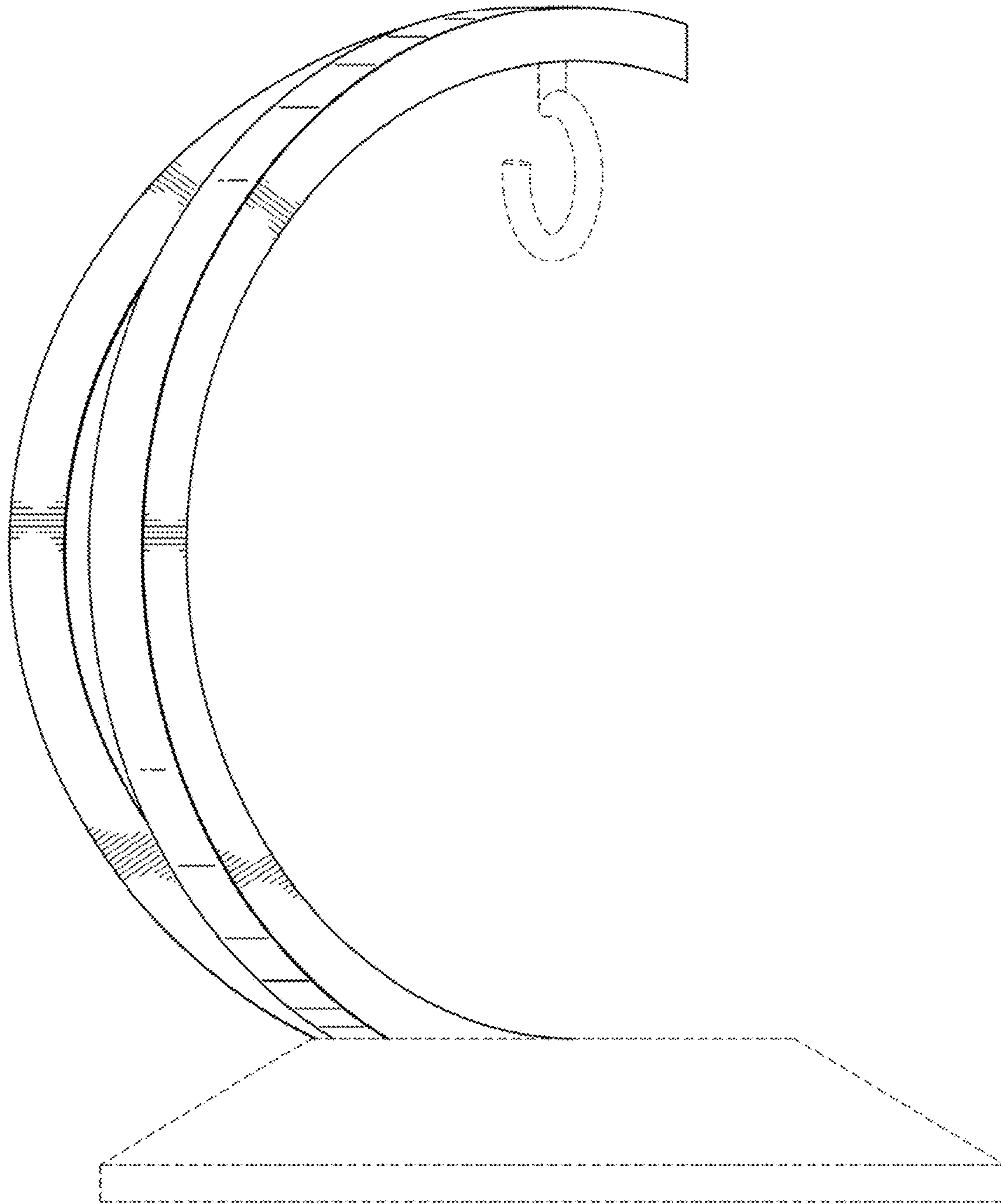


FIG. 2

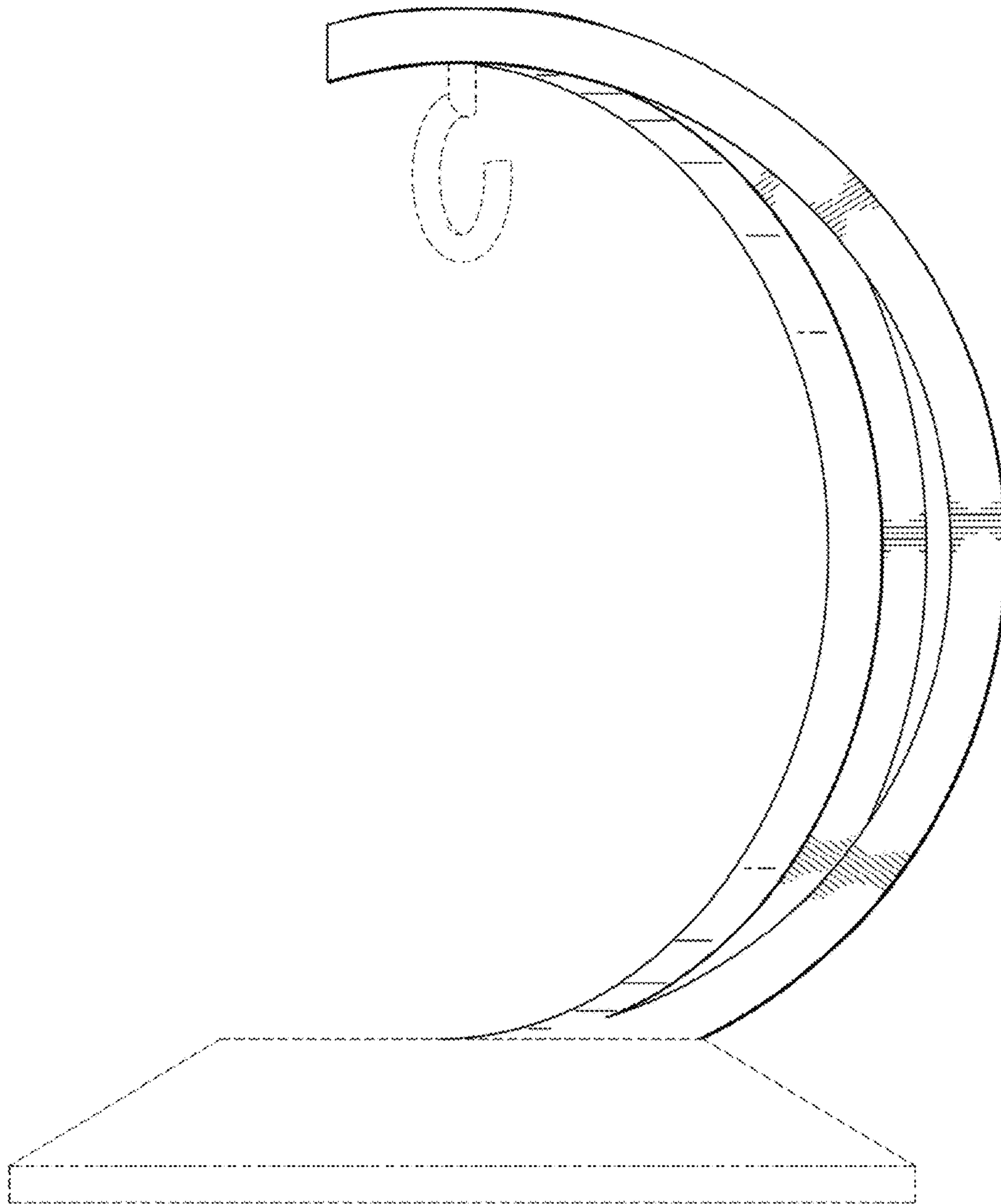


FIG. 3



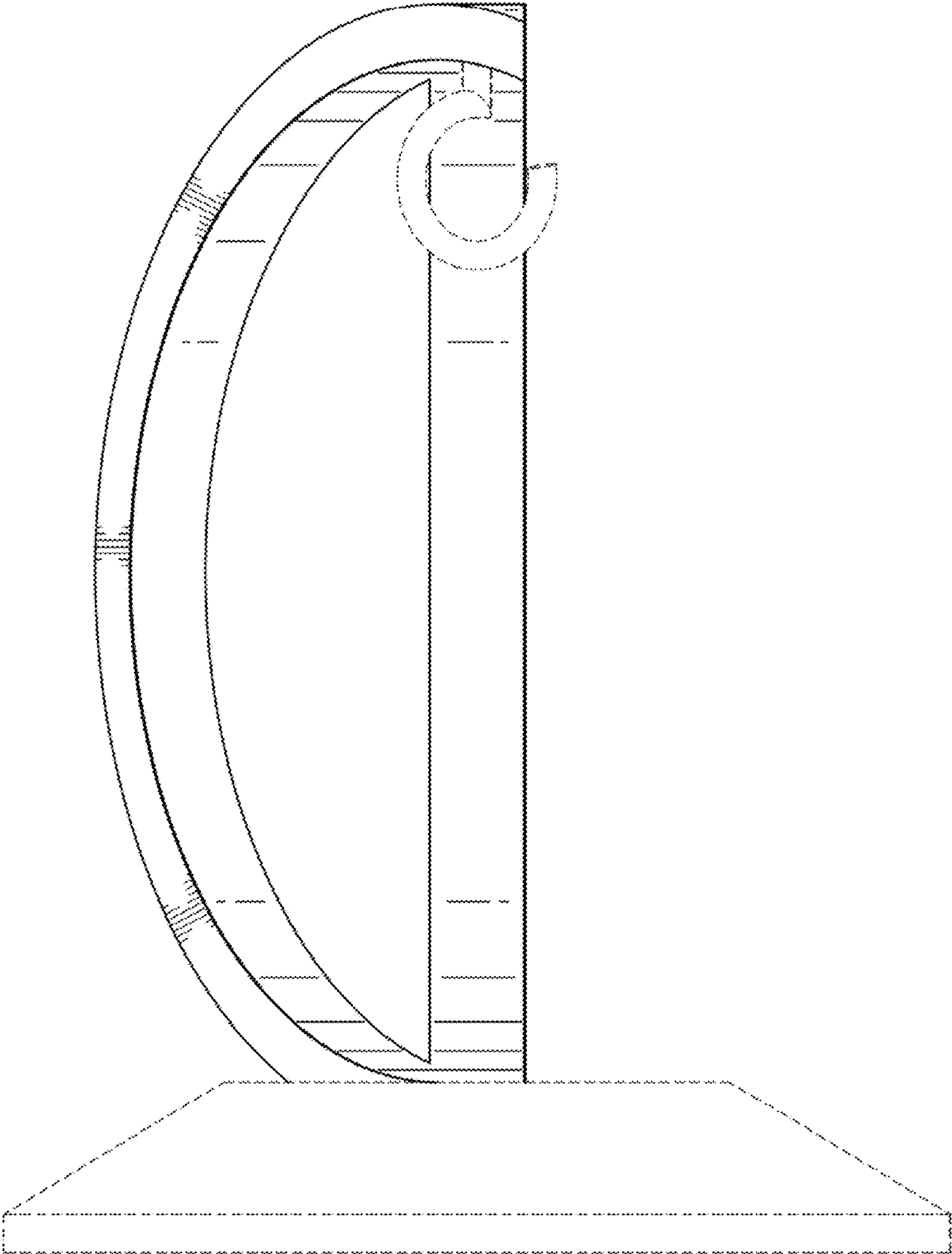


FIG. 4

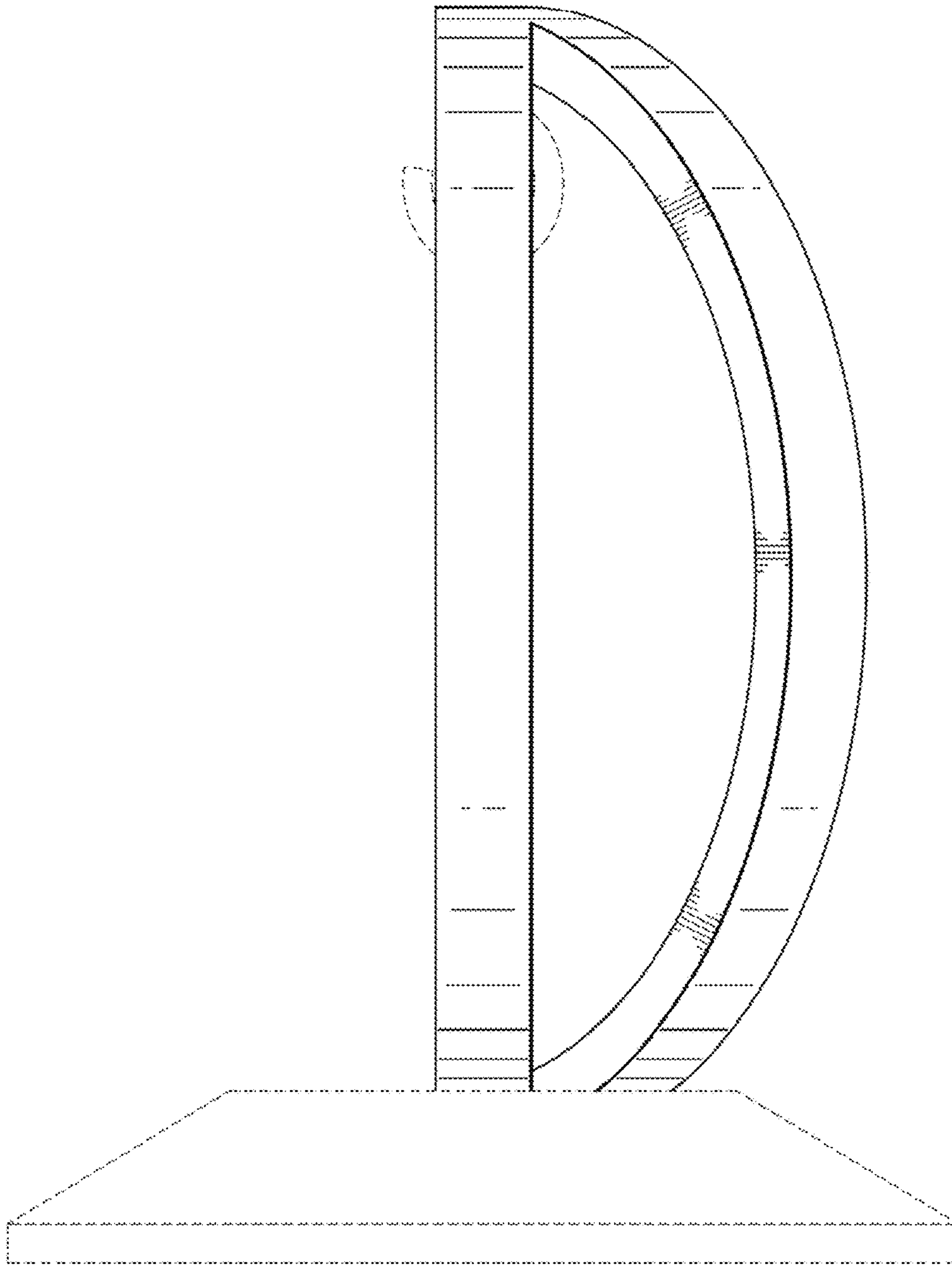


FIG. 5

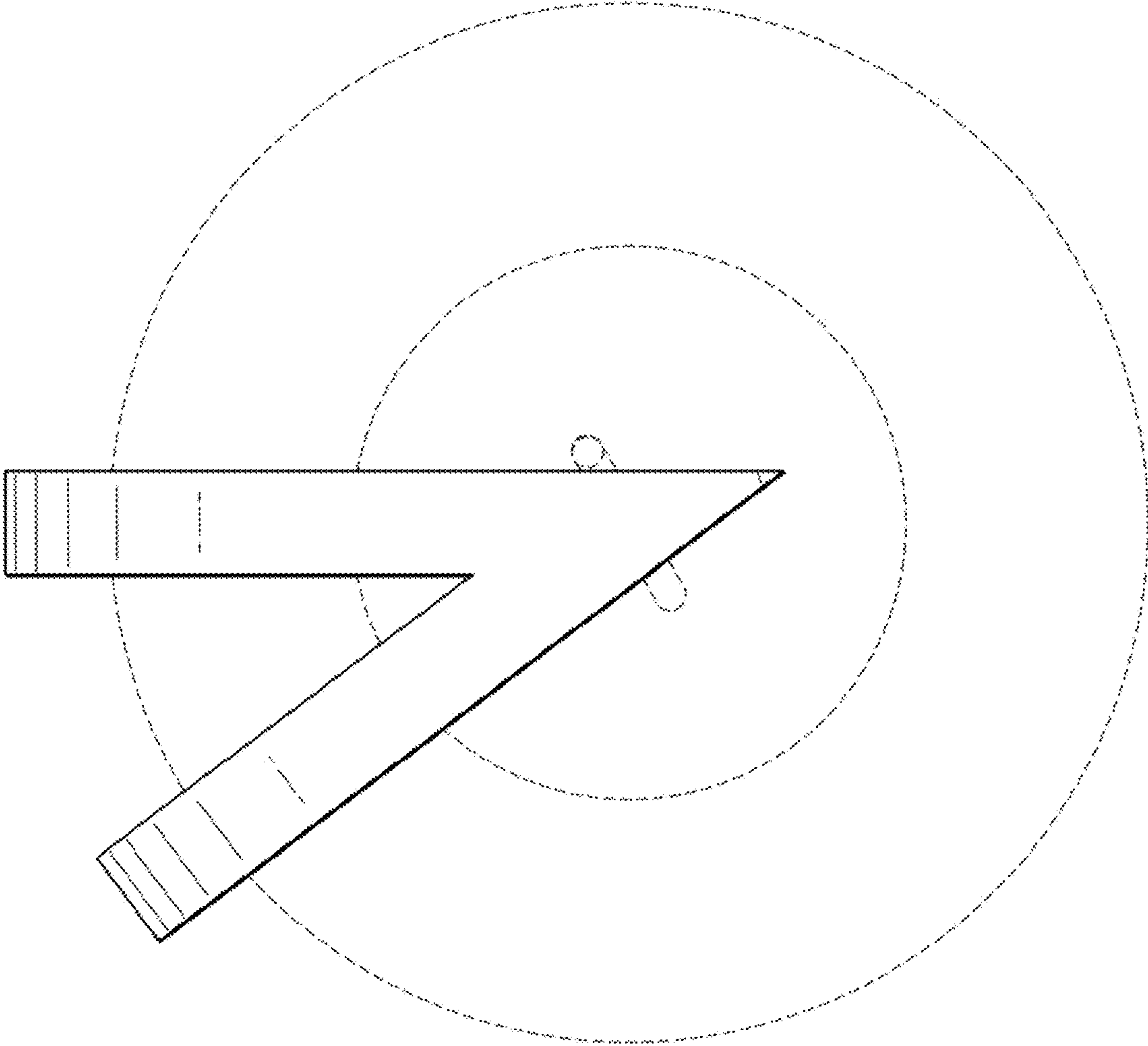


FIG. 6



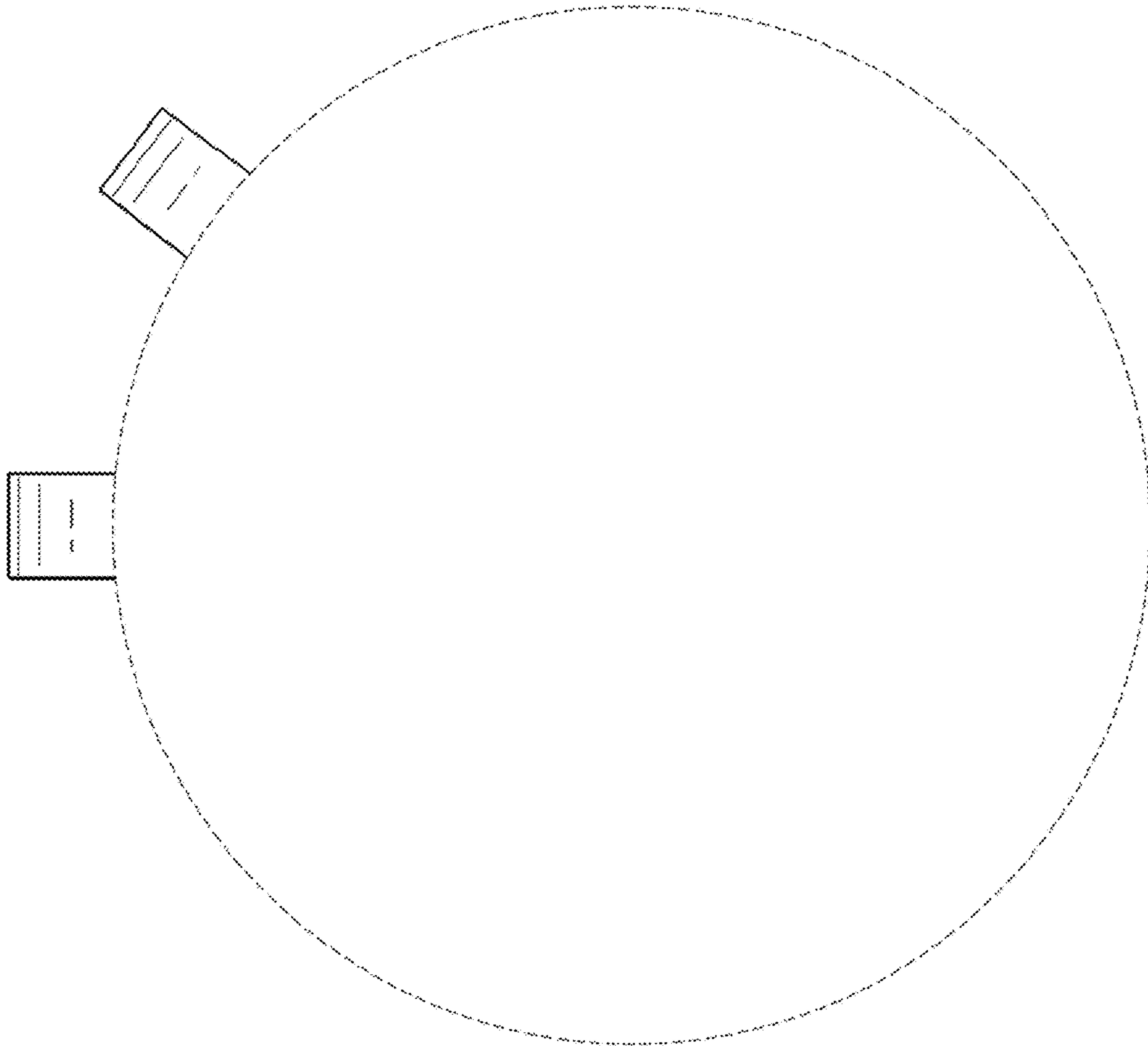


FIG. 7

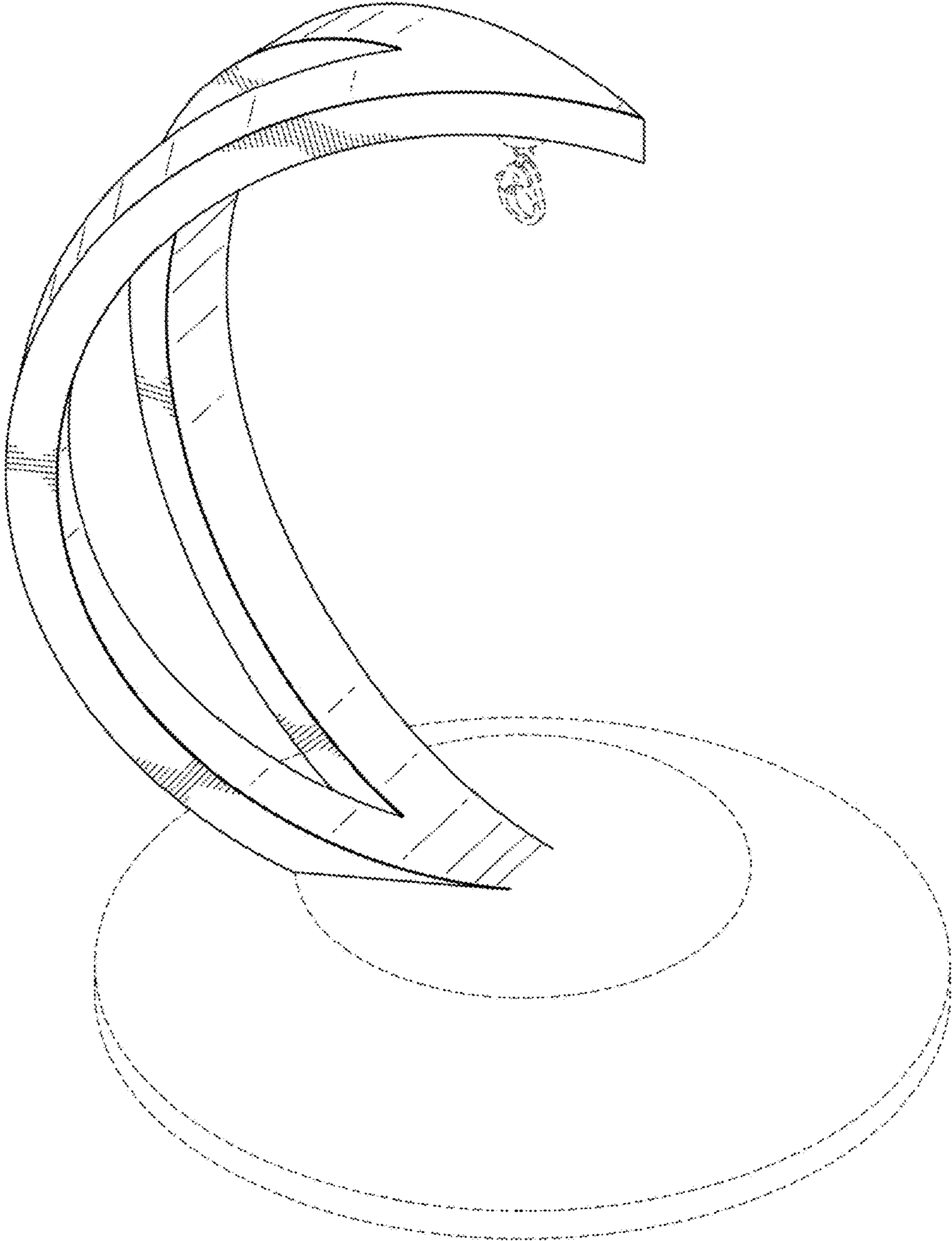


FIG. 8

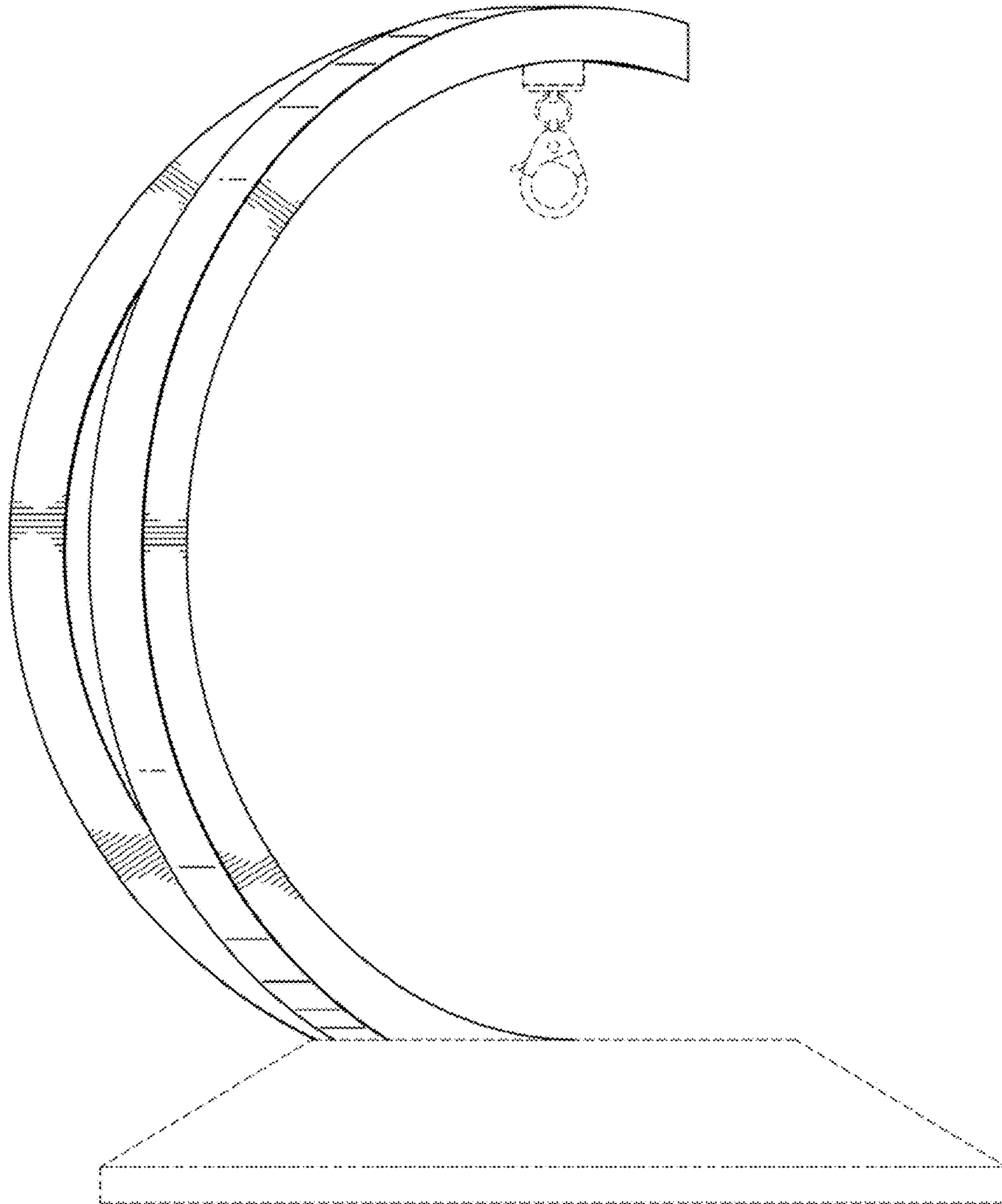


FIG. 9

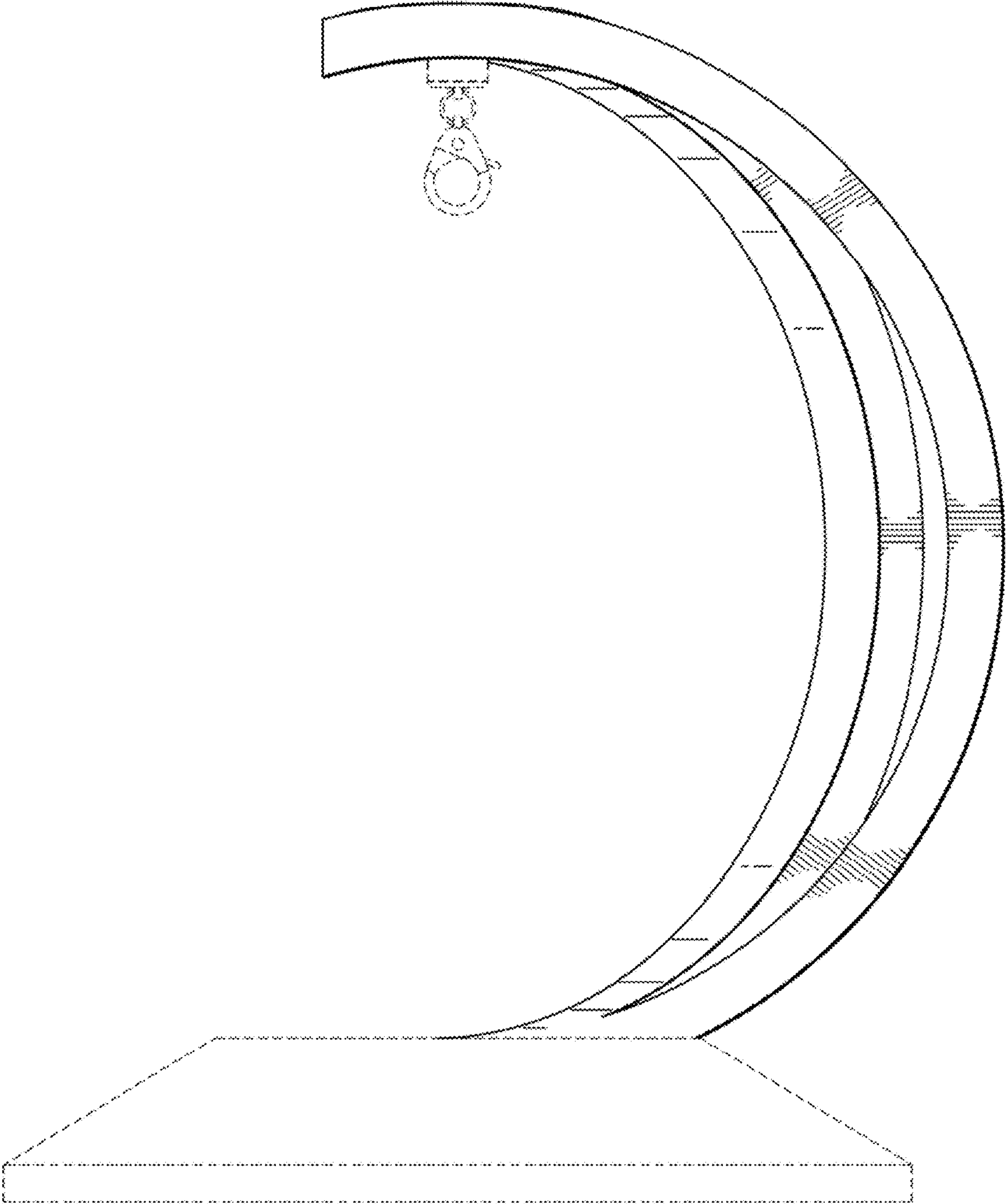


FIG. 10

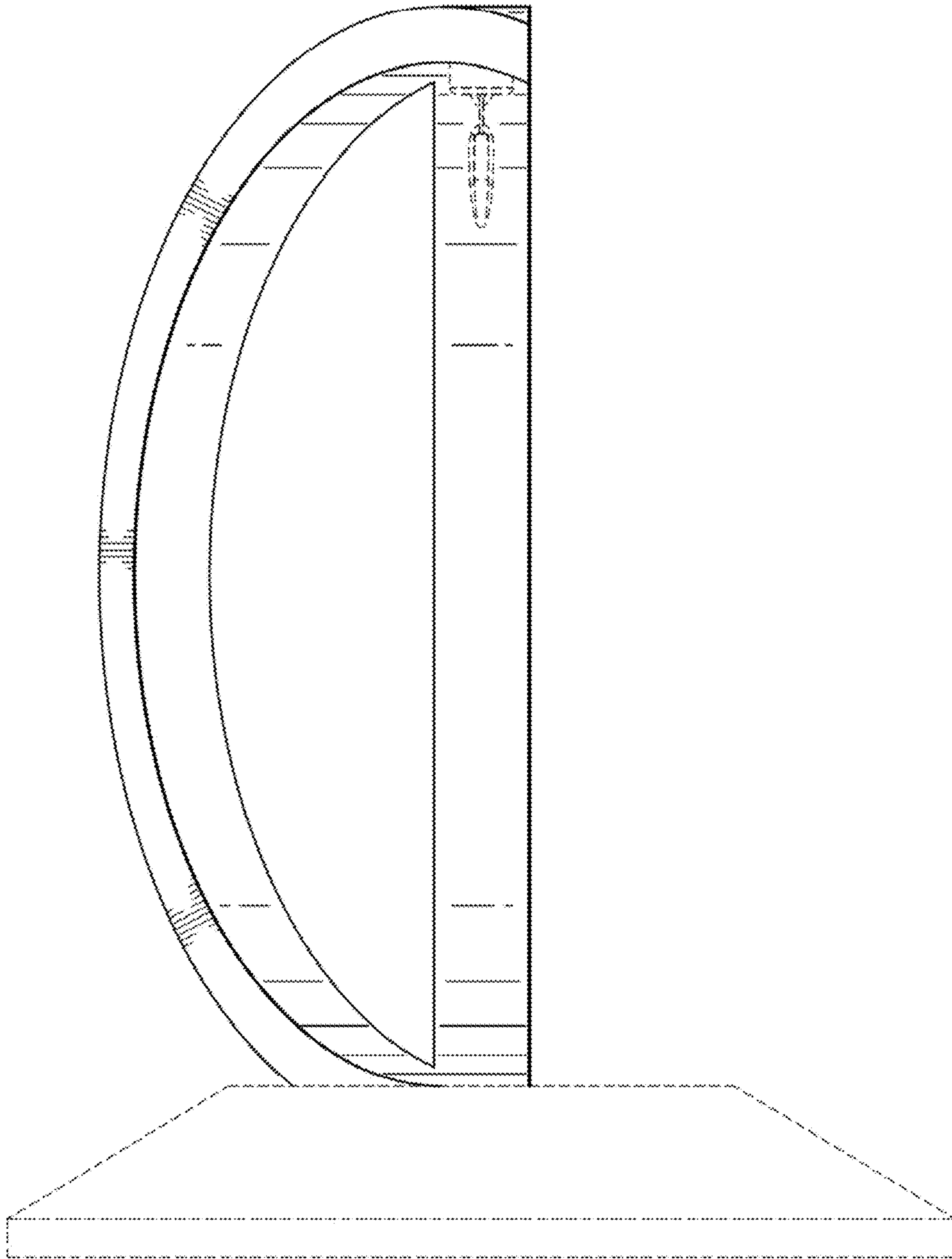


FIG. 11

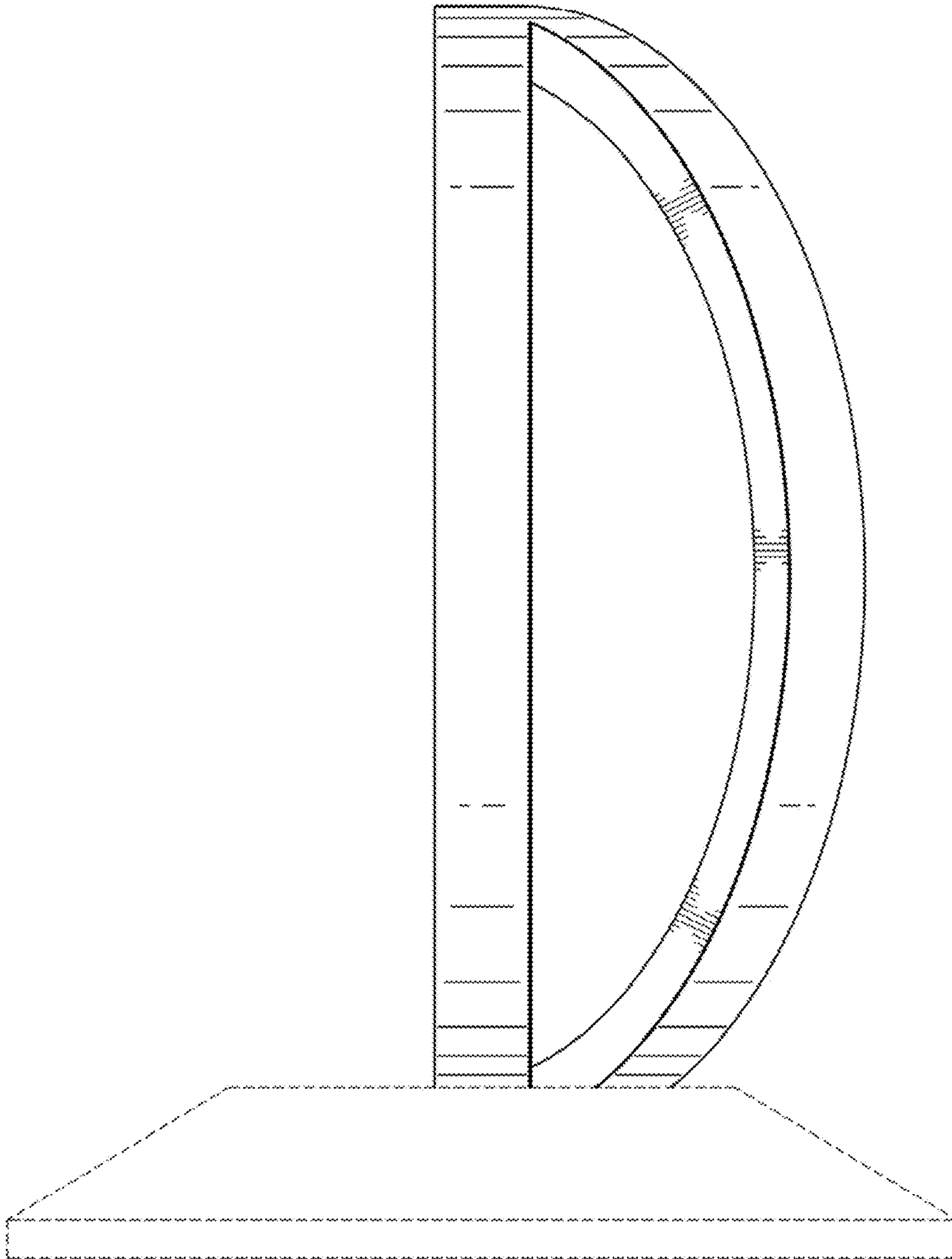


FIG. 12



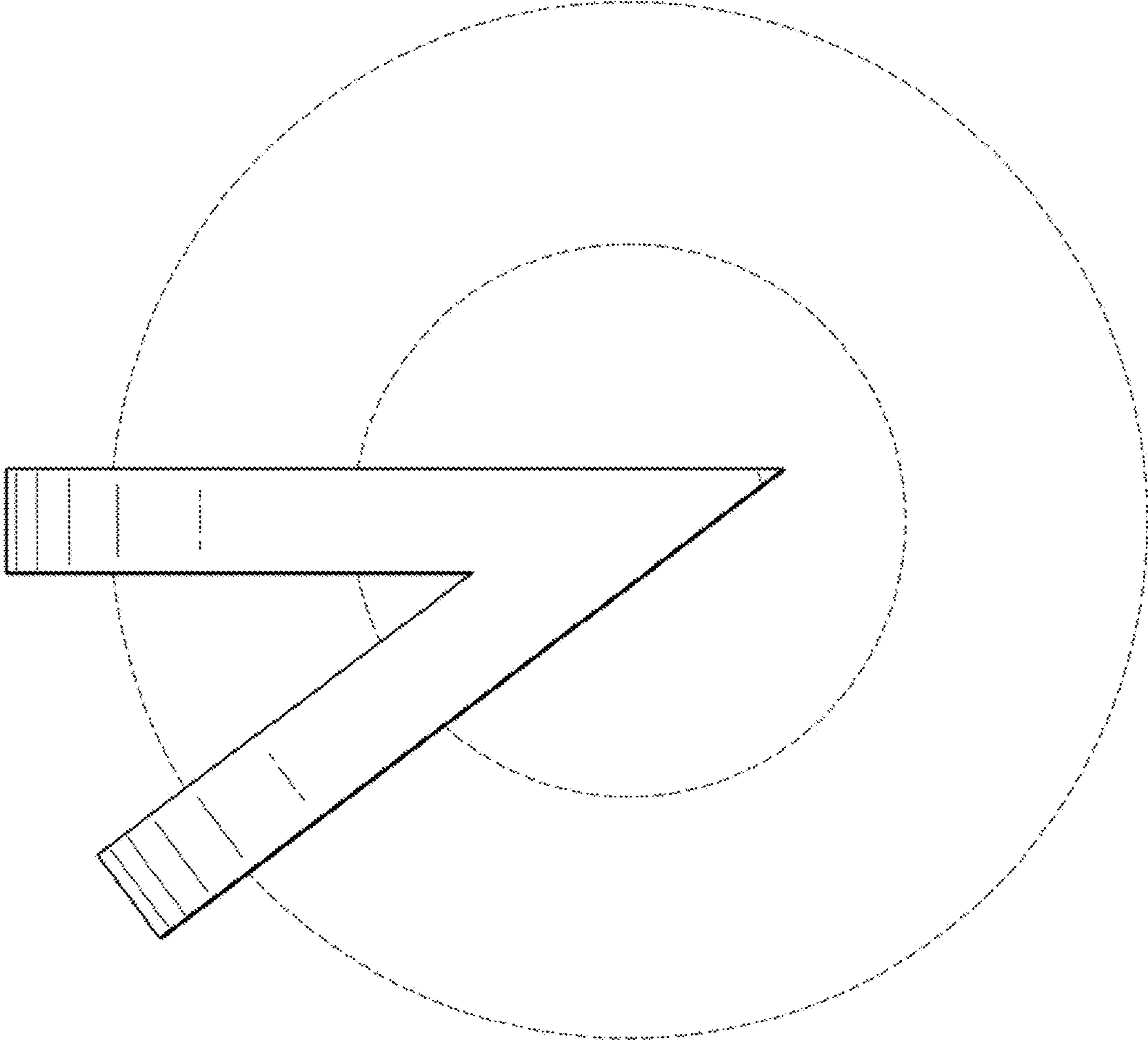


FIG. 13

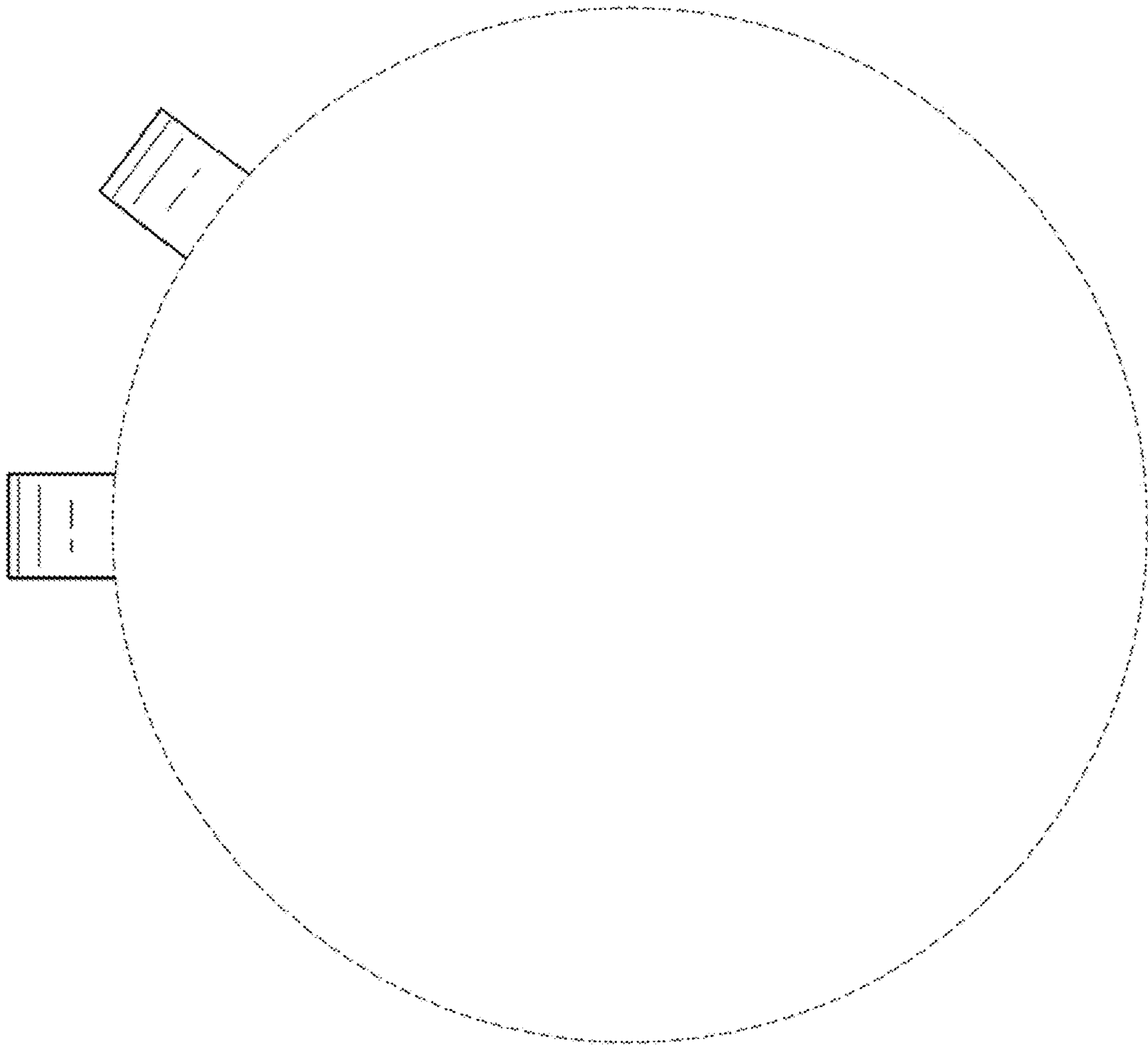


FIG. 14

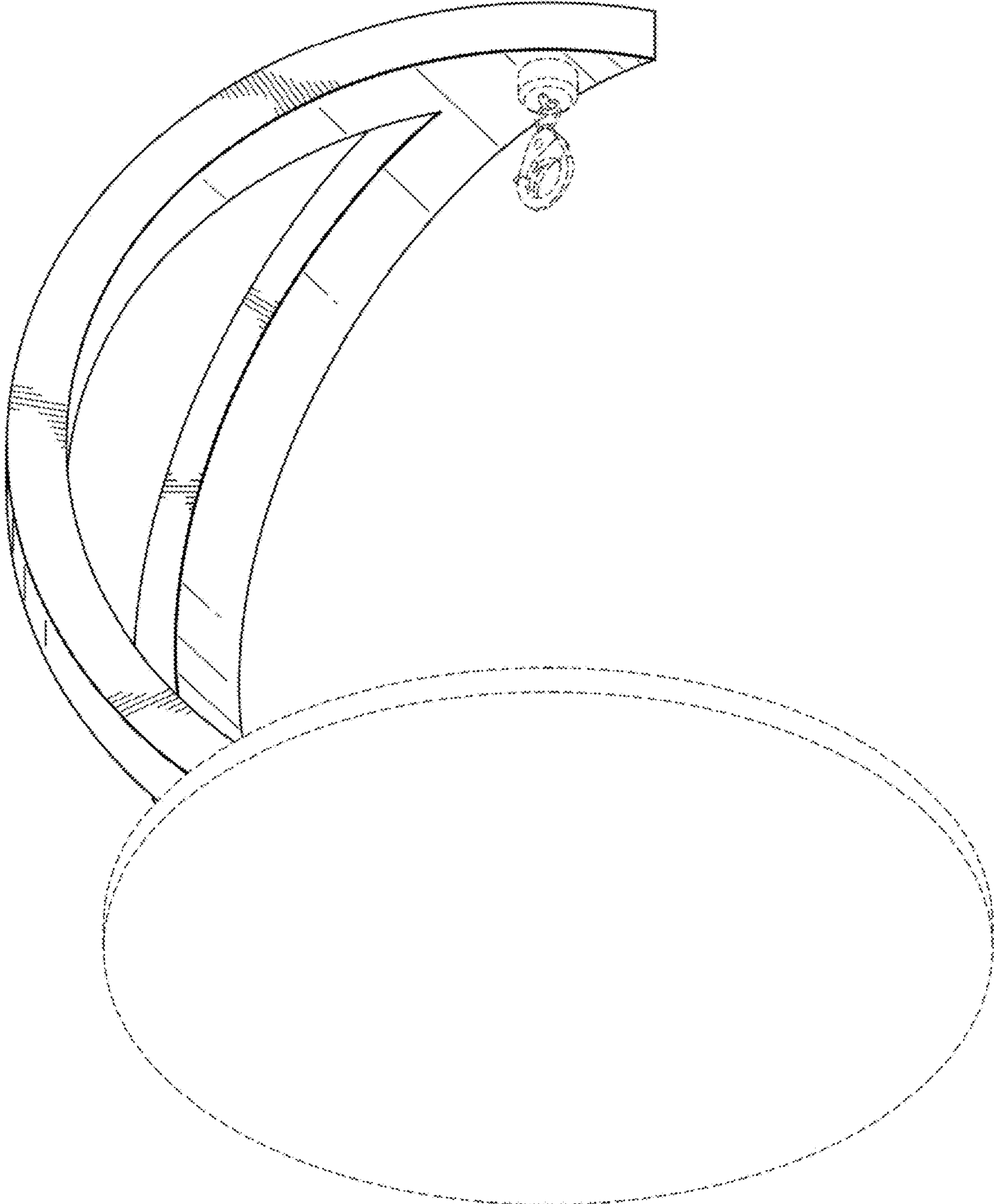


FIG. 15