



US00D856040S

(12) **United States Design Patent** (10) **Patent No.:** **US D856,040 S**
Fluegge et al. (45) **Date of Patent:** **** Aug. 13, 2019**

- (54) **MERCHANDISER PARTS**
- (71) Applicant: **Retail Space Solutions LLC**,
Milwaukee, WI (US)
- (72) Inventors: **Craig A. Fluegge**, Menomonee Falls,
WI (US); **Christopher J. Turner**,
Pewaukee, WI (US)
- (73) Assignee: **Retail Space Solutions LLC**,
Milwaukee, WI (US)
- (**) Term: **15 Years**
- (21) Appl. No.: **29/577,333**
- (22) Filed: **Sep. 12, 2016**
- (51) **LOC (12) Cl.** **06-06**
- (52) **U.S. Cl.**
USPC **D6/675**
- (58) **Field of Classification Search**
USPC ... D6/552, 572-574, 675, 675.2, 705, 705.1,
D6/705.2, 705.6, 705.7, 706
CPC A47F 5/0018; A47F 5/01; A47F 5/0031;
A47F 5/0081; A47F 5/0093; A47B 96/02
See application file for complete search history.

D290,790 S 7/1987 Nathan et al.
4,705,175 A 11/1987 Howard
4,726,236 A 2/1988 Wada
(Continued)

FOREIGN PATENT DOCUMENTS

EP 2767192 8/2014
GB 2290077 12/1995
(Continued)

Primary Examiner — Kelley A Donnelly
(74) *Attorney, Agent, or Firm* — Andrus Intellectual
Property Law, LLP

(57) **CLAIM**

We claim the ornamental design for merchandiser parts, as shown and described.

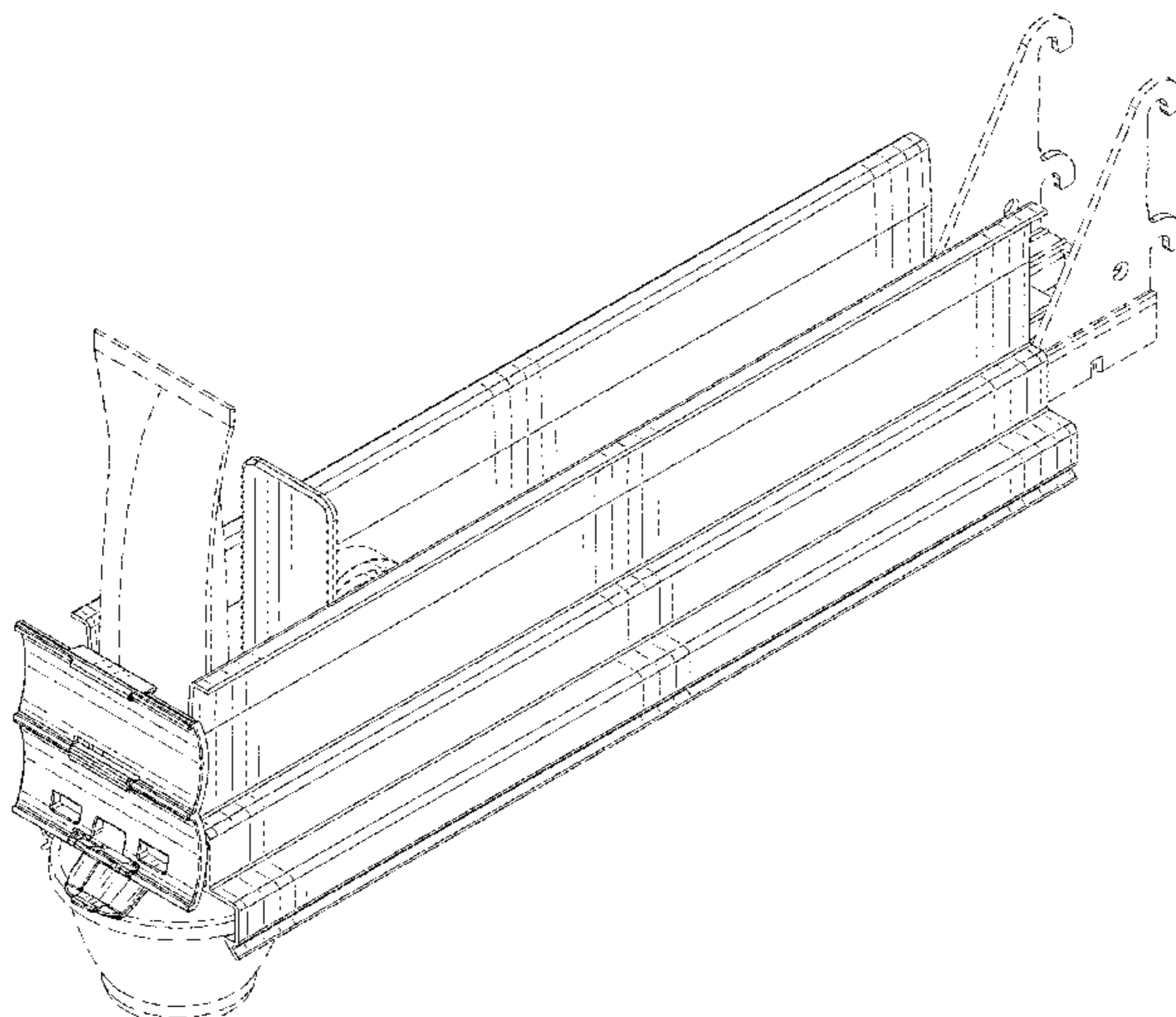
DESCRIPTION

FIG. 1 is a top perspective view of merchandiser parts according to our new design;
FIG. 2 is a bottom perspective view of the merchandiser parts in FIG. 1;
FIG. 3 is a right side elevation view of the merchandiser parts in FIGS. 1-2;
FIG. 4 is a left side elevation view of the merchandiser parts in FIGS. 1-3;
FIG. 5 is a front elevation view of the merchandiser parts in FIGS. 1-4;
FIG. 6 is a rear elevation view of the merchandiser parts in FIGS. 1-5;
FIG. 7 is a top view of the merchandiser parts in FIGS. 1-6; and,
FIG. 8 is a bottom view of the merchandiser parts in FIGS. 1-7.
The merchandiser parts shown in broken lines in the figures depict unclaimed environmental subject matter, are for illustrative purposes only, and form no part of the claimed design.

(56) **References Cited**
U.S. PATENT DOCUMENTS

1,702,987 A	2/1929	Wilson
2,919,814 A	1/1960	Berkowitz
2,934,212 A	4/1960	Jacobson
3,161,295 A	12/1964	Taylor
3,452,899 A	7/1969	Libberton
4,022,363 A	5/1977	Eliassen
4,130,203 A	12/1978	Russell
4,310,097 A	1/1982	Merl
4,318,485 A	3/1982	Clement
4,367,818 A	1/1983	Suttles
4,401,221 A	8/1983	Suttles
4,423,816 A	1/1984	Suttles
D290,670 S	7/1987	Nathan et al.

1 Claim, 7 Drawing Sheets



(56)

References Cited

U.S. PATENT DOCUMENTS

4,730,741 A 3/1988 Jackie
 4,836,390 A 6/1989 Polvere
 D305,586 S 1/1990 Wombacher
 4,907,707 A 3/1990 Crum
 5,012,936 A 5/1991 Crum
 5,123,546 A 6/1992 Crum
 5,366,099 A 11/1994 Schmid
 5,413,229 A 5/1995 Zuberbuhler
 5,450,969 A 9/1995 Johnson
 5,562,217 A 10/1996 Salvesson
 D376,060 S * 12/1996 Cohen D6/716.2
 5,586,665 A 12/1996 Brousseau
 5,613,621 A 3/1997 Gervasi
 5,634,564 A 6/1997 Spamer
 D382,428 S * 8/1997 Meier D8/374
 5,665,304 A 9/1997 Heinen
 5,671,851 A 9/1997 Johnson
 5,695,075 A 12/1997 Flum
 5,706,956 A 1/1998 Headrick
 5,706,958 A 1/1998 Spamer
 D390,052 S 2/1998 Wolff
 5,755,341 A 5/1998 Spamer
 5,779,068 A 7/1998 Whiten
 D401,436 S 11/1998 Jay
 5,855,281 A 1/1999 Rabas
 5,855,283 A 1/1999 Johnson
 5,878,894 A 3/1999 Robertson
 5,957,327 A 9/1999 Whiten
 5,970,887 A 10/1999 Hardy
 6,059,125 A 5/2000 Parham
 6,142,317 A 11/2000 Merl
 6,155,438 A 12/2000 Close
 6,193,067 B1 2/2001 McMahan
 6,227,386 B1 5/2001 Close
 6,375,015 B1 4/2002 Wingate
 6,484,891 B2 11/2002 Burke
 D480,231 S 10/2003 Valiulis
 6,640,983 B2 11/2003 Miller, Jr.
 6,719,152 B1 4/2004 Nagel
 6,745,906 B1 6/2004 Nagel
 6,769,552 B1 8/2004 Thalenfeld
 6,772,888 B2 8/2004 Burke
 D496,179 S 9/2004 Sjoberg
 D500,091 S 12/2004 Sjoberg
 6,866,155 B2 3/2005 Nagel
 6,866,156 B2 3/2005 Nagel
 6,886,699 B2 5/2005 Johnson
 6,886,700 B2 5/2005 Nagel
 6,889,854 B2 5/2005 Burke
 6,889,855 B2 5/2005 Nagel
 6,923,330 B1 8/2005 Nagel
 6,964,235 B2 11/2005 Hardy
 7,028,852 B2 4/2006 Johnson
 7,032,761 B2 4/2006 Nagel
 D552,877 S 10/2007 Trulaske, Sr.
 D565,322 S 4/2008 Mason
 7,451,881 B2 11/2008 Hardy
 7,506,769 B2 3/2009 Howerton
 7,621,409 B2 11/2009 Hardy
 7,690,519 B2 4/2010 Kahl
 7,703,614 B2 4/2010 Schneider
 7,712,851 B2 * 5/2010 Huang A47B 88/493
 312/333
 7,815,267 B1 * 10/2010 Frousiakis A47B 88/467
 312/319.1
 7,823,734 B2 11/2010 Hardy
 7,854,333 B2 12/2010 Kottke
 7,854,334 B2 12/2010 Nagel
 7,866,772 B1 * 1/2011 Chen A47B 88/493
 312/334.13
 7,967,399 B1 * 6/2011 Baiza A47B 88/427
 312/223.1
 D649,681 S * 11/2011 Trzesniowski D26/138
 8,047,385 B2 11/2011 Hardy
 8,096,427 B2 1/2012 Hardy

8,113,360 B2 2/2012 Olson
 8,113,601 B2 2/2012 Hardy
 8,136,682 B2 3/2012 Hardy
 8,186,520 B2 5/2012 Schneider
 8,210,363 B2 7/2012 Hardy
 8,210,367 B2 7/2012 Nagel
 8,235,222 B2 8/2012 Hardy
 8,235,226 B2 8/2012 Crawbuck
 8,235,227 B2 8/2012 Hardy
 8,267,261 B2 9/2012 Vanderhoek
 D668,945 S * 10/2012 Fernandez D8/377
 8,302,784 B2 11/2012 Nagel
 8,312,999 B2 11/2012 Hardy
 D674,219 S * 1/2013 Kim D6/702
 D677,502 S * 3/2013 Ryan D6/707.22
 8,413,823 B2 4/2013 Hardy
 8,413,826 B2 4/2013 Schneider
 8,443,988 B2 5/2013 Niederhufner
 8,453,850 B2 6/2013 Hardy
 8,468,844 B2 6/2013 Nagel
 8,496,126 B2 7/2013 Mueller
 8,561,818 B2 10/2013 Nagel
 8,627,965 B2 1/2014 Hardy
 8,739,984 B2 6/2014 Hardy
 8,820,545 B2 9/2014 Kologe
 D716,090 S * 10/2014 Schepens D6/705.7
 8,905,246 B2 12/2014 Lynch
 8,997,997 B2 4/2015 Close
 9,038,852 B2 5/2015 Yasaka
 9,055,828 B2 6/2015 Burchell
 9,089,214 B2 7/2015 Kelly
 9,095,229 B2 8/2015 Attree
 D767,311 S * 9/2016 Hrovat D6/705
 D784,747 S * 4/2017 Jackson D6/706
 9,615,675 B2 4/2017 Camello
 D786,588 S 5/2017 Knapp
 9,706,858 B2 7/2017 Johnson
 2003/0217980 A1 11/2003 Johnson
 2004/0084392 A1 5/2004 Richter
 2005/0204966 A1 9/2005 Bienick
 2005/0258113 A1 11/2005 Close
 2006/0076301 A1 4/2006 Caterinacci
 2006/0186065 A1 8/2006 Ciesick
 2007/0068885 A1 3/2007 Busto
 2007/0080175 A1 4/2007 Petersen
 2007/0256992 A1 11/2007 Olson
 2008/0035589 A1 2/2008 Rasmussen
 2008/0121146 A1 5/2008 Burns
 2008/0283477 A1 11/2008 Wamsley
 2009/0039040 A1 2/2009 Johnson
 2009/0223916 A1 9/2009 Kahl
 2010/0032392 A1 2/2010 Camello
 2010/0107670 A1 5/2010 Kottke
 2010/0176075 A1 7/2010 Nagel
 2011/0215061 A1 9/2011 Niederhufner
 2012/0055892 A1 3/2012 Hardy
 2012/0255924 A1 10/2012 Kologe
 2013/0193095 A1 8/2013 Nagel
 2013/0193096 A1 8/2013 Hardy
 2013/0240467 A1 9/2013 Ciesick
 2013/0327730 A1 12/2013 Hardy
 2014/0034592 A1 2/2014 Hardy
 2014/0117818 A1 5/2014 Dipaolo
 2014/0175034 A1 6/2014 Hardy
 2014/0190913 A1 7/2014 Hardy
 2014/0284290 A1 9/2014 Hardy
 2014/0319086 A1 10/2014 Sosso
 2014/0360953 A1 12/2014 Pichel
 2015/0028680 A1 1/2015 Zeuch
 2015/0374120 A1 12/2015 Hardy
 2016/0000235 A1 1/2016 Hardy

FOREIGN PATENT DOCUMENTS

GB 2392667 3/2004
 GB 2351073 8/2011
 WO 2014200759 12/2014

* cited by examiner

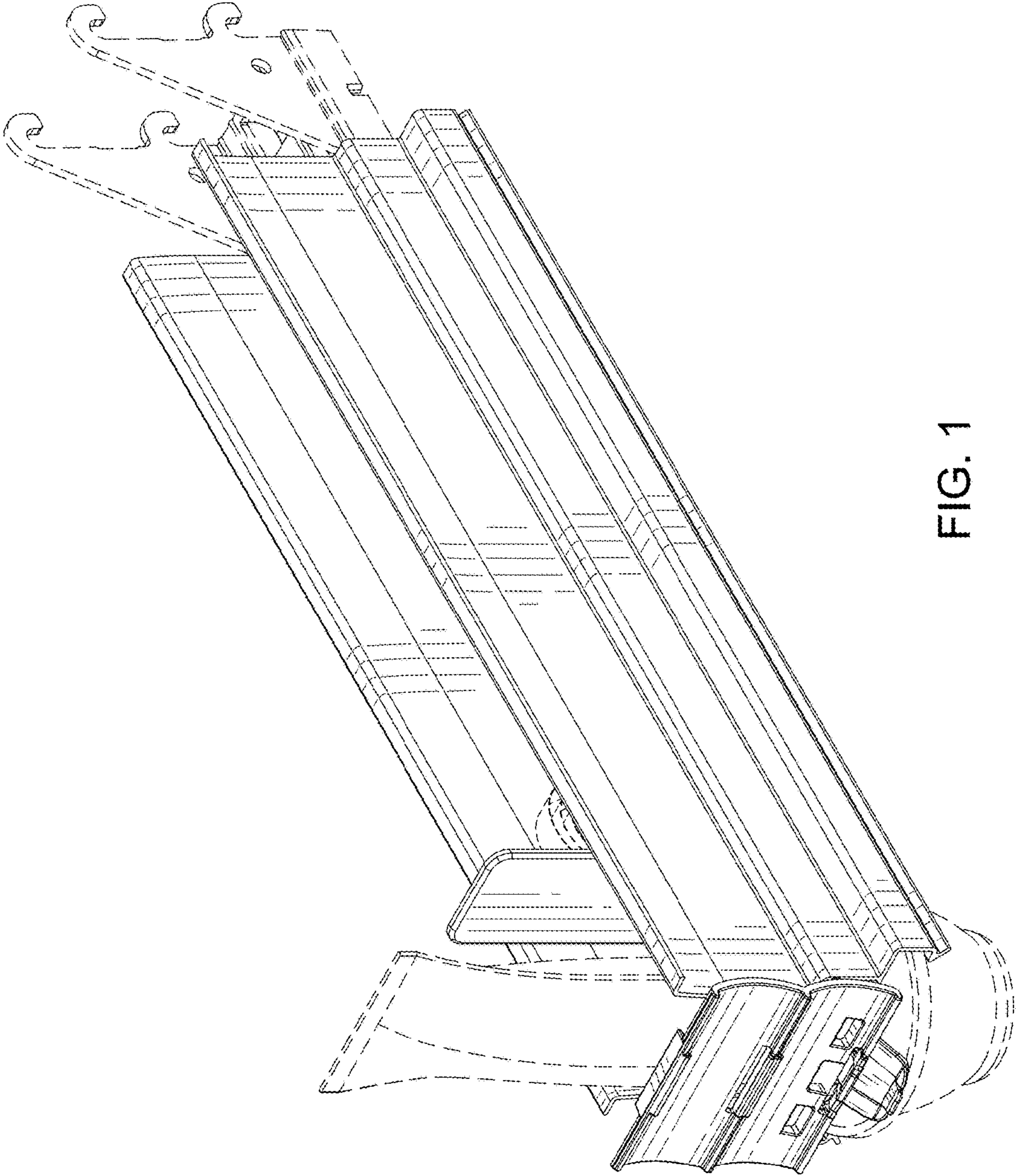


FIG. 1

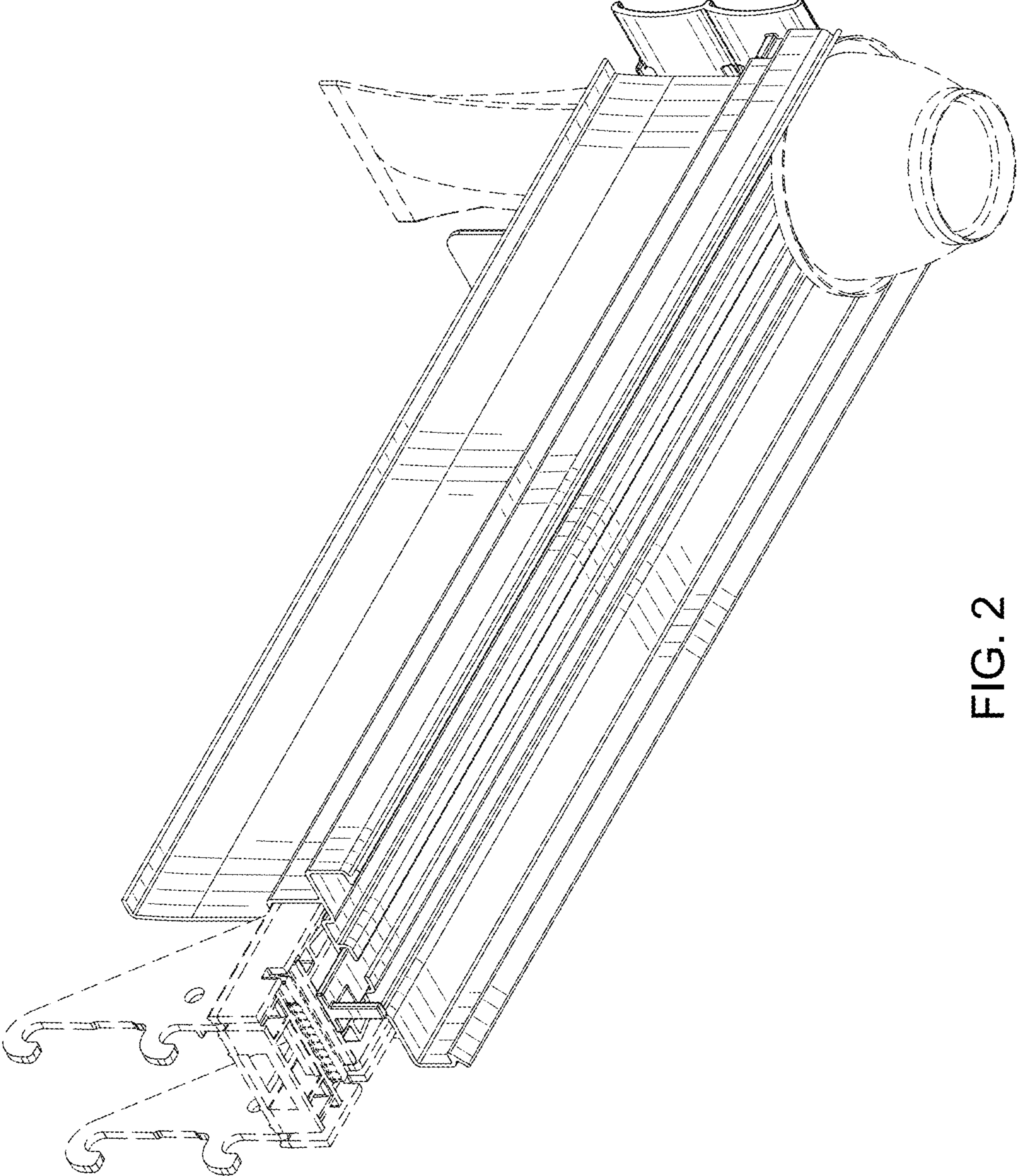


FIG. 2

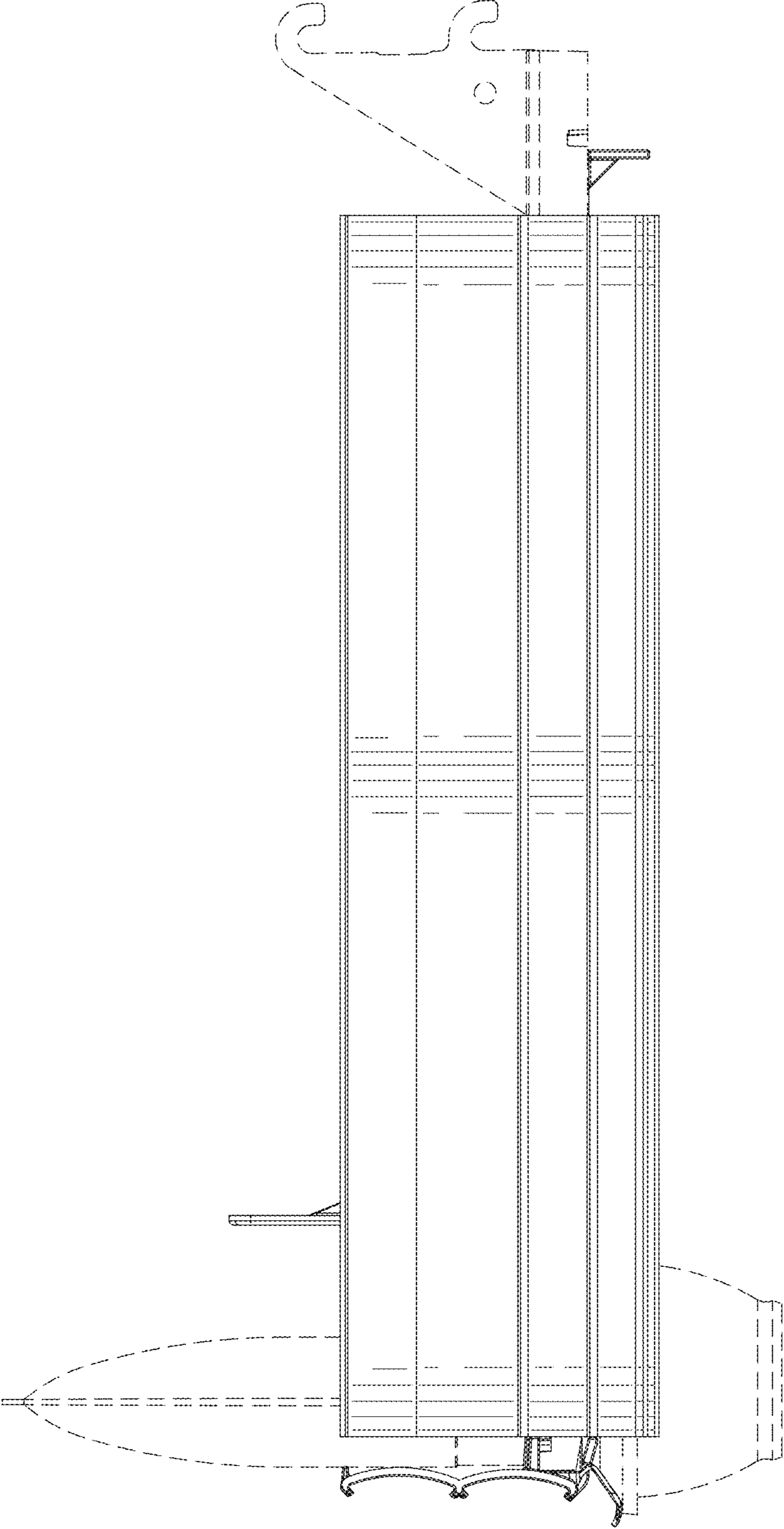


FIG. 3

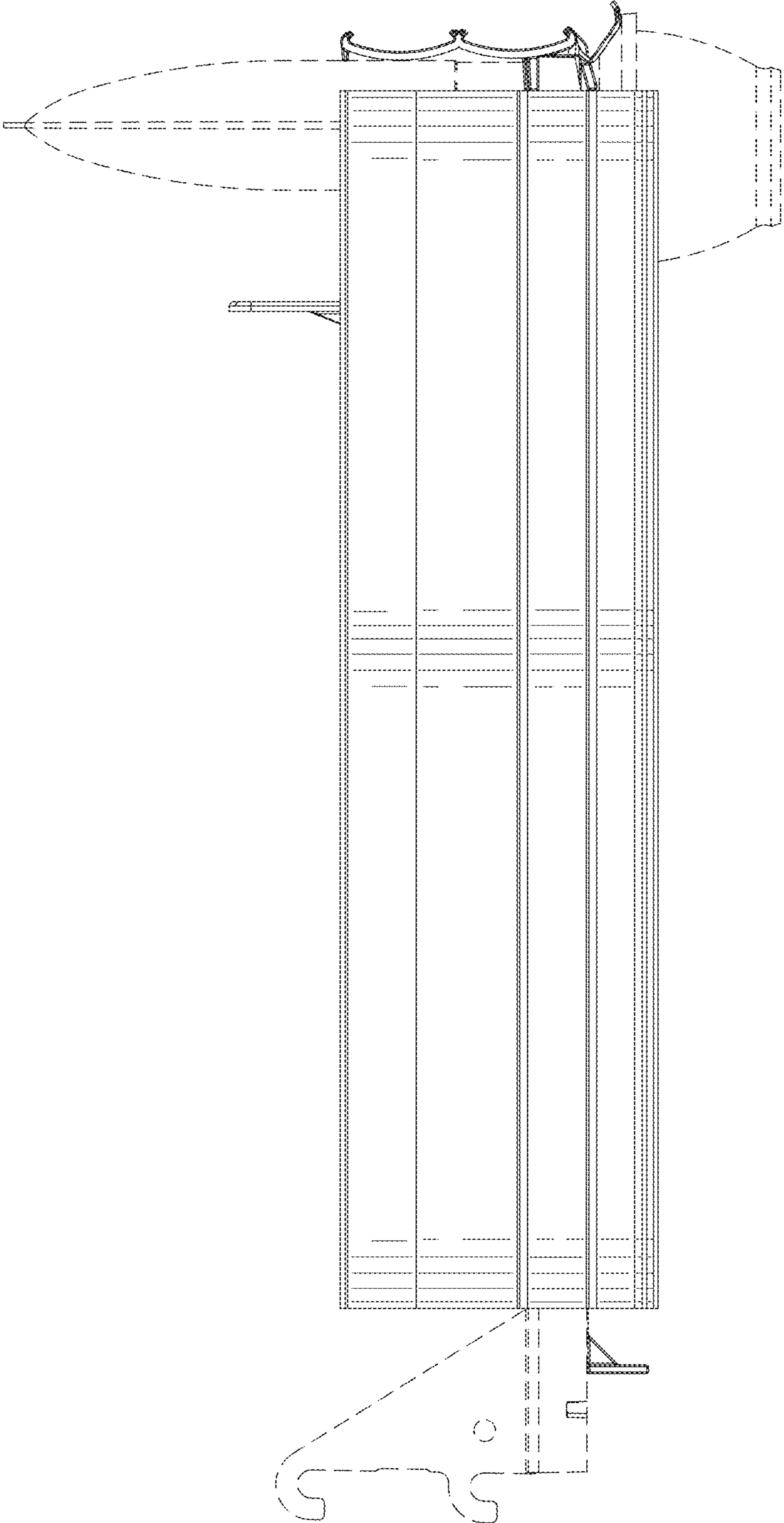


FIG. 4

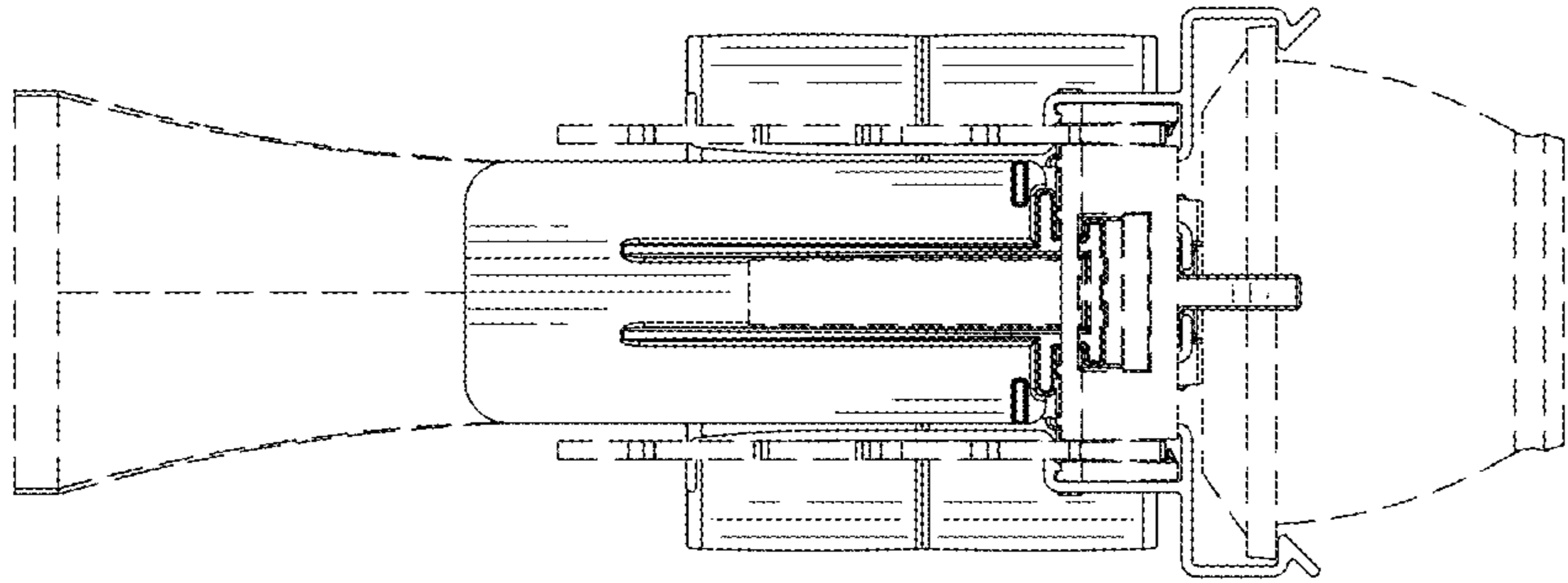


FIG. 6

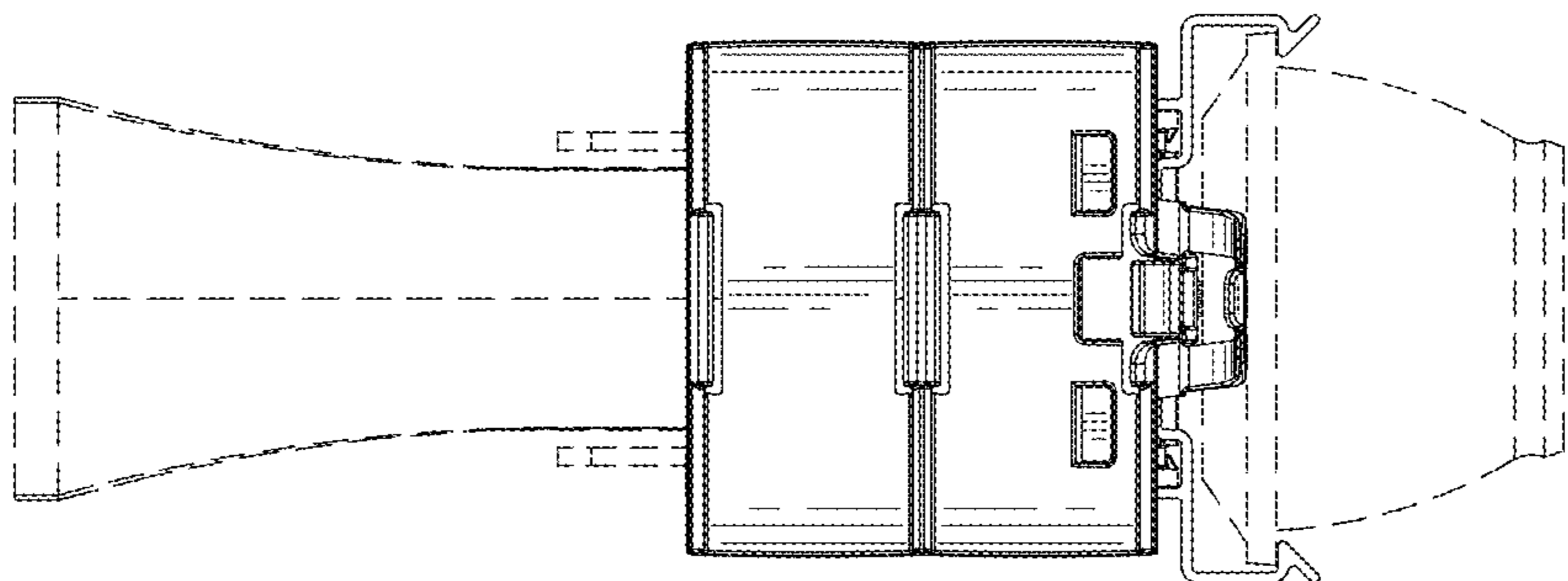


FIG. 5

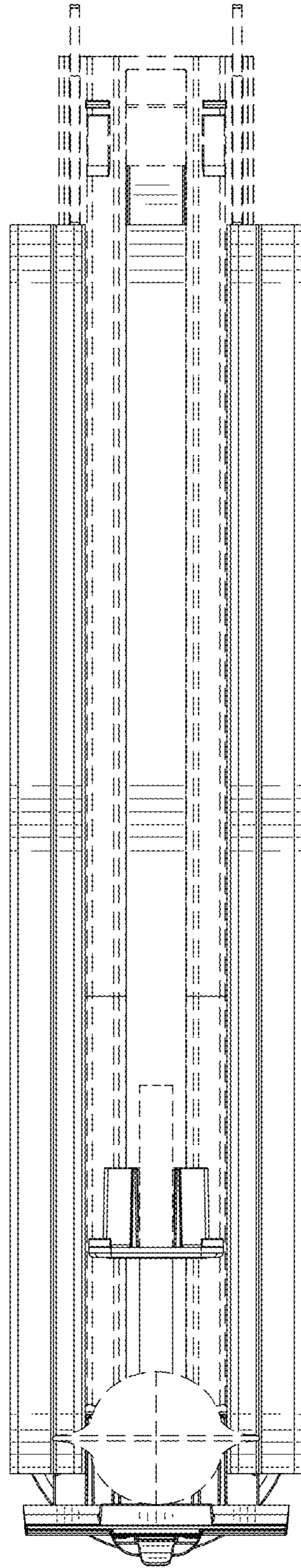


FIG. 7

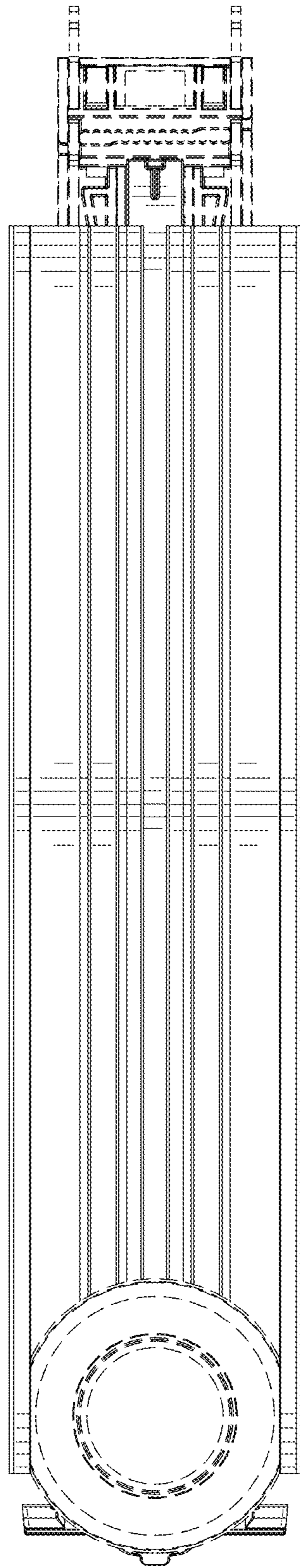


FIG. 8