



US00D856036S

(12) **United States Design Patent** (10) **Patent No.:** **US D856,036 S**  
**Augustyniak** (45) **Date of Patent:** **\*\* Aug. 13, 2019**

(54) **DESK**  
(71) Applicant: **“MIKOMAX SPOLKA Z OGRANICZONA ODPOWIEDZIALNOSCIA” SPOLKA KOMANDYTOWA**, Lodz (PL)  
(72) Inventor: **Tomasz Augustyniak**, Poznan (PL)  
(73) Assignee: **“MIKOMAX SPOLKA Z OGRANICZONA ODPOWIEDZIALNOSCIA” SPOLKA KOMANDYTOWA**, Lodz (PL)  
(\*\*) Term: **15 Years**  
(21) Appl. No.: **29/622,702**  
(22) Filed: **Oct. 19, 2017**  
(51) **LOC (12) Cl.** ..... **06-03**  
(52) **U.S. Cl.**  
USPC ..... **D6/644**  
(58) **Field of Classification Search**  
USPC ..... D6/640, 641, 642, 643, 643.1, 644, 648, D6/648.1, 648.3, 648.4, 649, 650, 651, D6/652, 655, 655.1, 655.11, 656, 668, D6/685, 688.11, 688.21, 688.27, 690, D6/695, 698, 696.1, 700, 709.22  
CPC .... A47B 9/00; A47B 9/04; A47B 9/06; A47B 3/08; A47B 21/00; A47B 21/02; A47B 21/06; A47B 21/007; A47B 21/0314; A47B 2009/185; A47B 2200/0013; A47B 2200/0026; A47B 2200/0085; A47B 2200/0087  
See application file for complete search history.

D234,559 S \* 3/1975 Waltzman ..... D6/651  
D489,200 S \* 5/2004 Antonioni ..... D6/655.21  
D584,542 S \* 1/2009 Martin ..... D6/656  
D635,376 S \* 4/2011 Cortivo ..... D6/648  
D637,836 S \* 5/2011 Cortivo ..... D6/656  
D703,465 S \* 4/2014 Weatherly ..... D6/656.16  
D745,294 S \* 12/2015 Murray ..... D6/644  
D783,316 S \* 4/2017 Davis ..... D6/655.1  
D786,594 S \* 5/2017 Yamamoto ..... D6/702  
10,202,992 B2 \* 2/2019 Matthai ..... F16B 2/12  
2010/0050662 A1 \* 3/2010 Hannam ..... A47B 83/001 62/56

**OTHER PUBLICATIONS**

Red Dot Award, posted at Youtube.com, posted on Apr. 3, 2017, site visited Feb. 13, 2019. online, available from internet: <https://www.youtube.com/watch?v=1WcT1yk92oU> (Year: 2017).\*

\* cited by examiner

*Primary Examiner* — Mary Ann Calabrese  
*Assistant Examiner* — Catherine Ho  
(74) *Attorney, Agent, or Firm* — Mark M. Friedman

(57) **CLAIM**

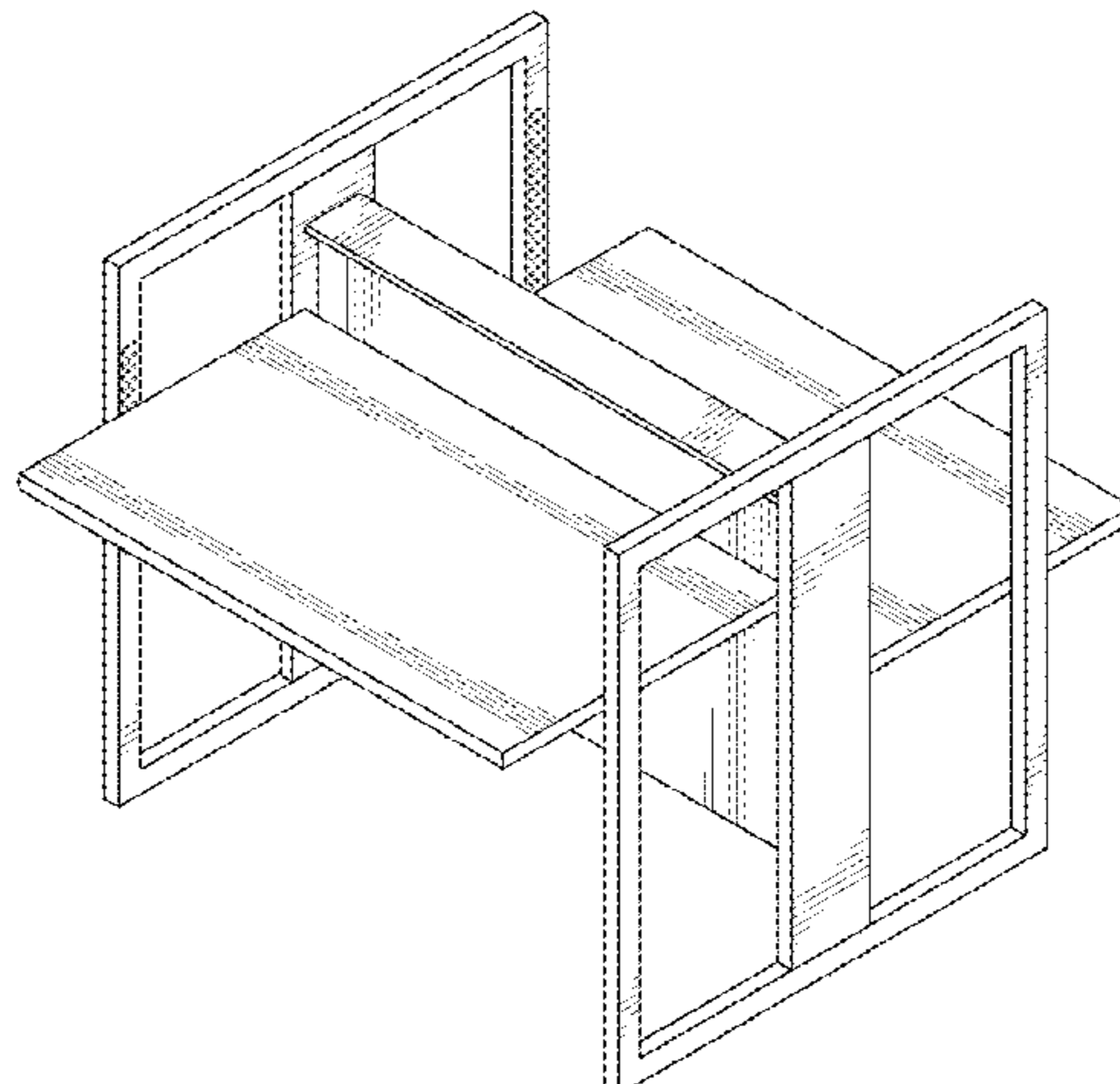
The ornamental design for a desk, as shown and described.

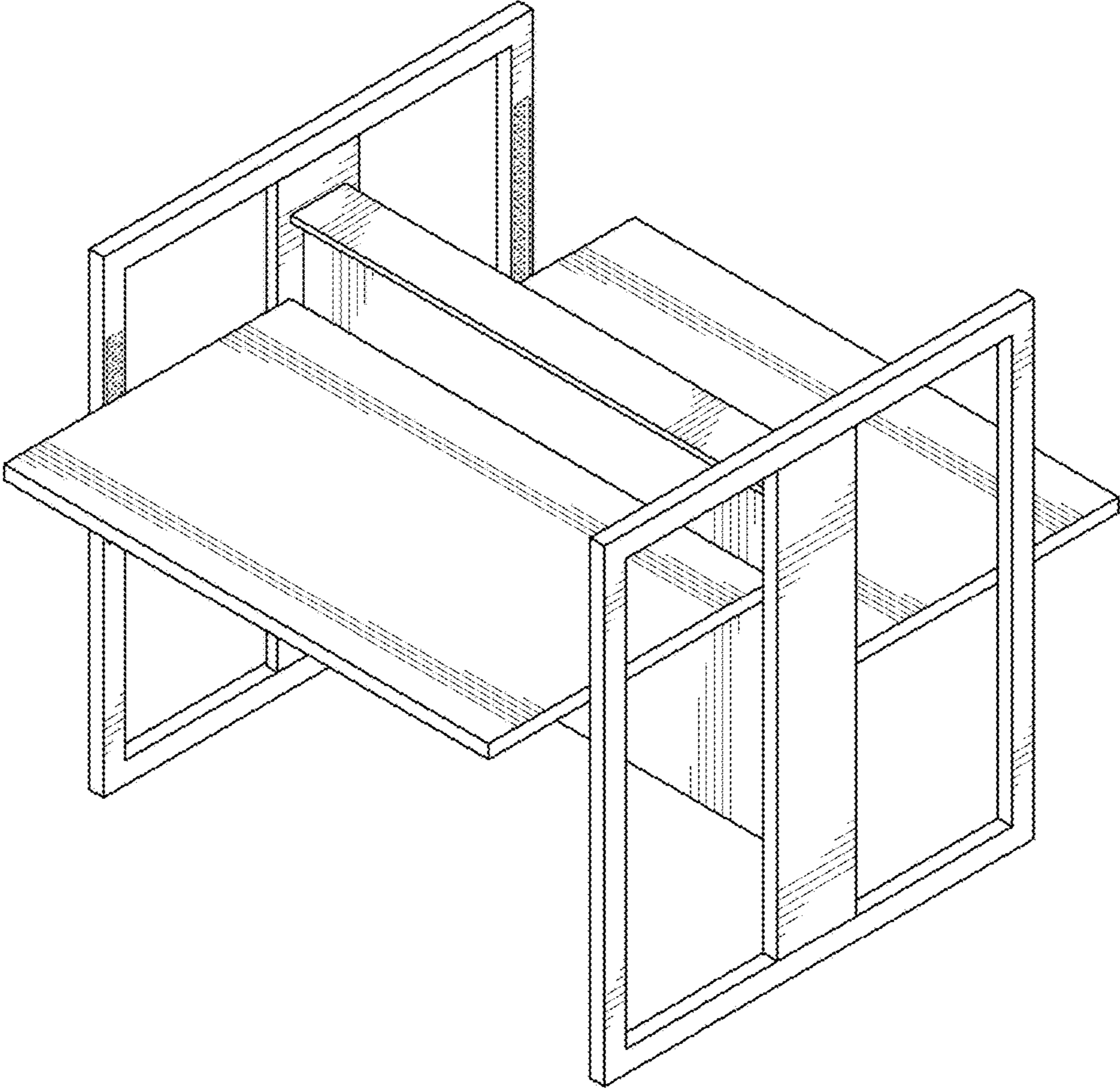
**DESCRIPTION**

FIG. 1 is a perspective view of a desk, showing my new design;  
FIG. 2 is a front view thereof;  
FIG. 3 is a right side view thereof;  
FIG. 4 is a left side view thereof;  
FIG. 5 is a rear view thereof;  
FIG. 6 is a top view thereof; and,  
FIG. 7 is a bottom view thereof.

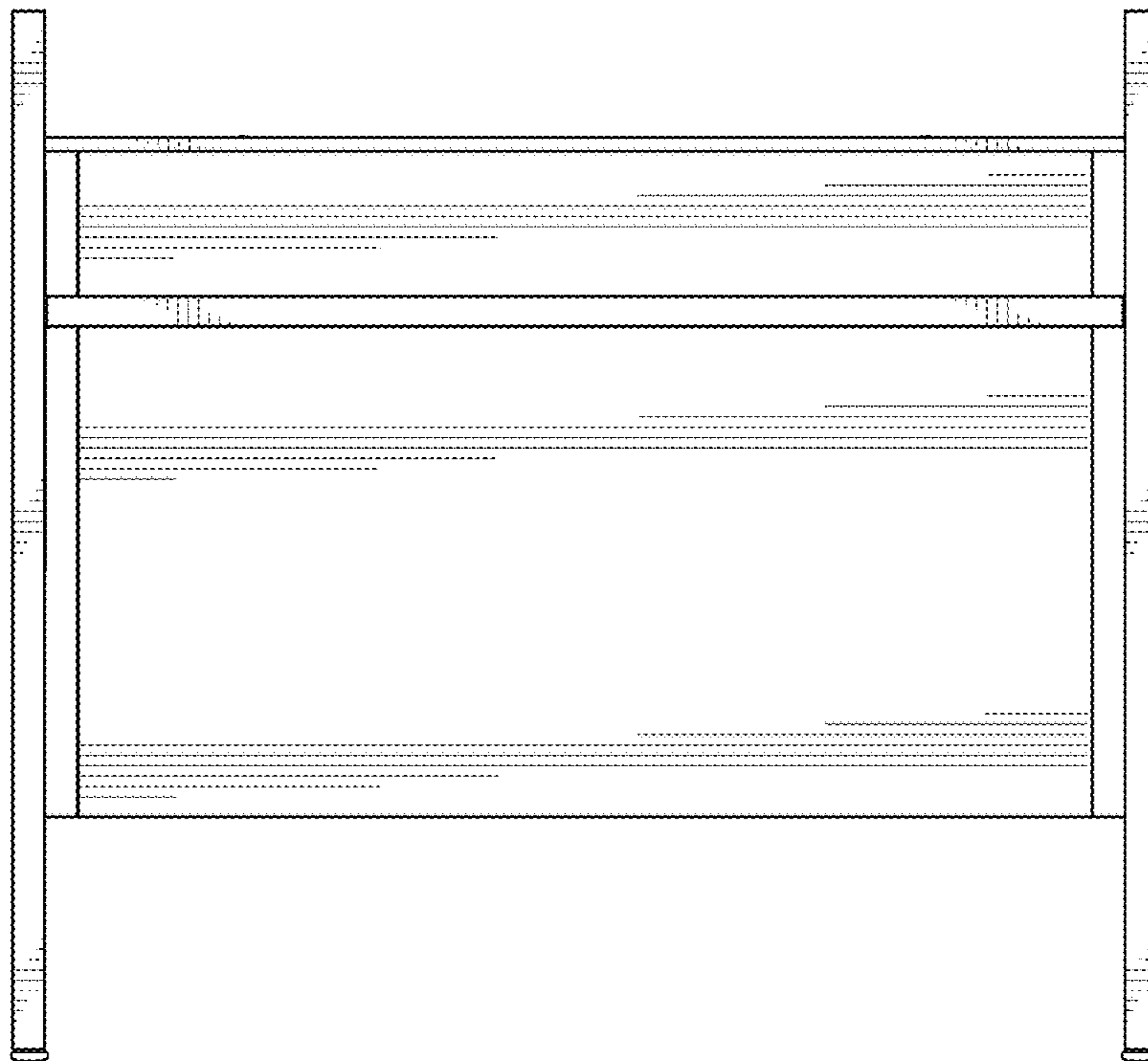
**1 Claim, 7 Drawing Sheets**

(56) **References Cited**  
U.S. PATENT DOCUMENTS  
D216,025 S \* 11/1969 Gianfagna ..... D6/643  
D216,991 S \* 3/1970 Gianfagna ..... D6/643.1

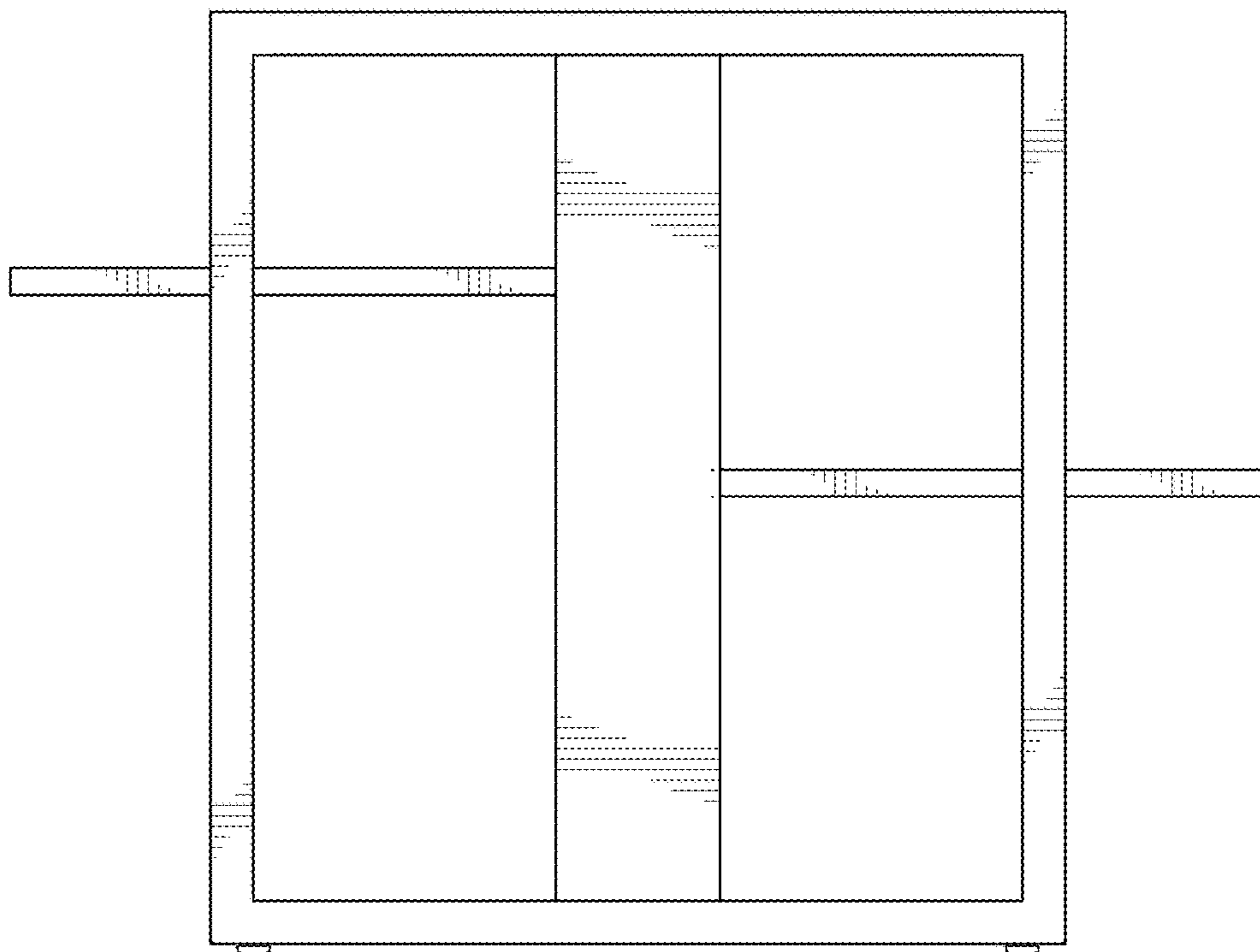




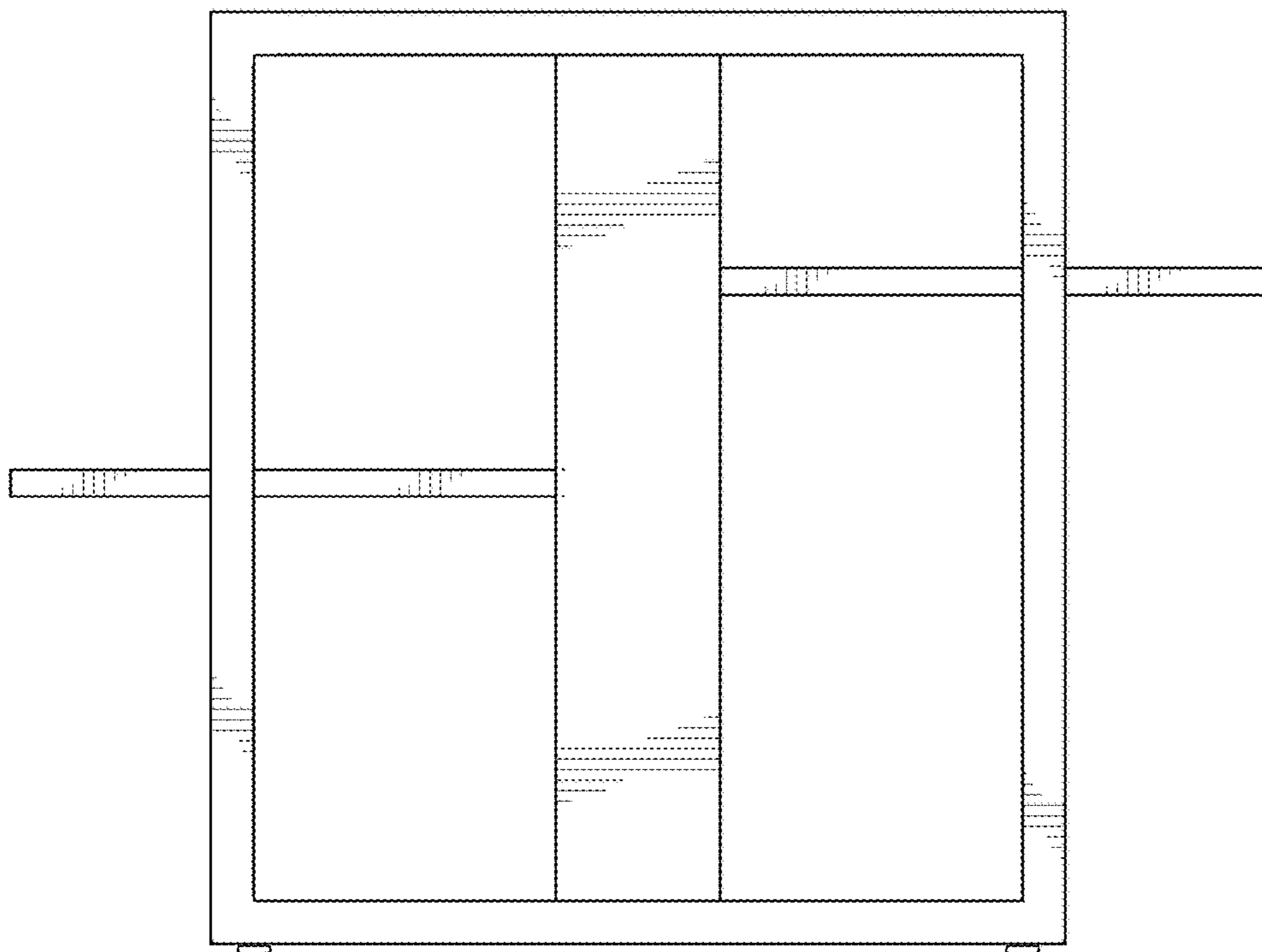
*FIG. 1*



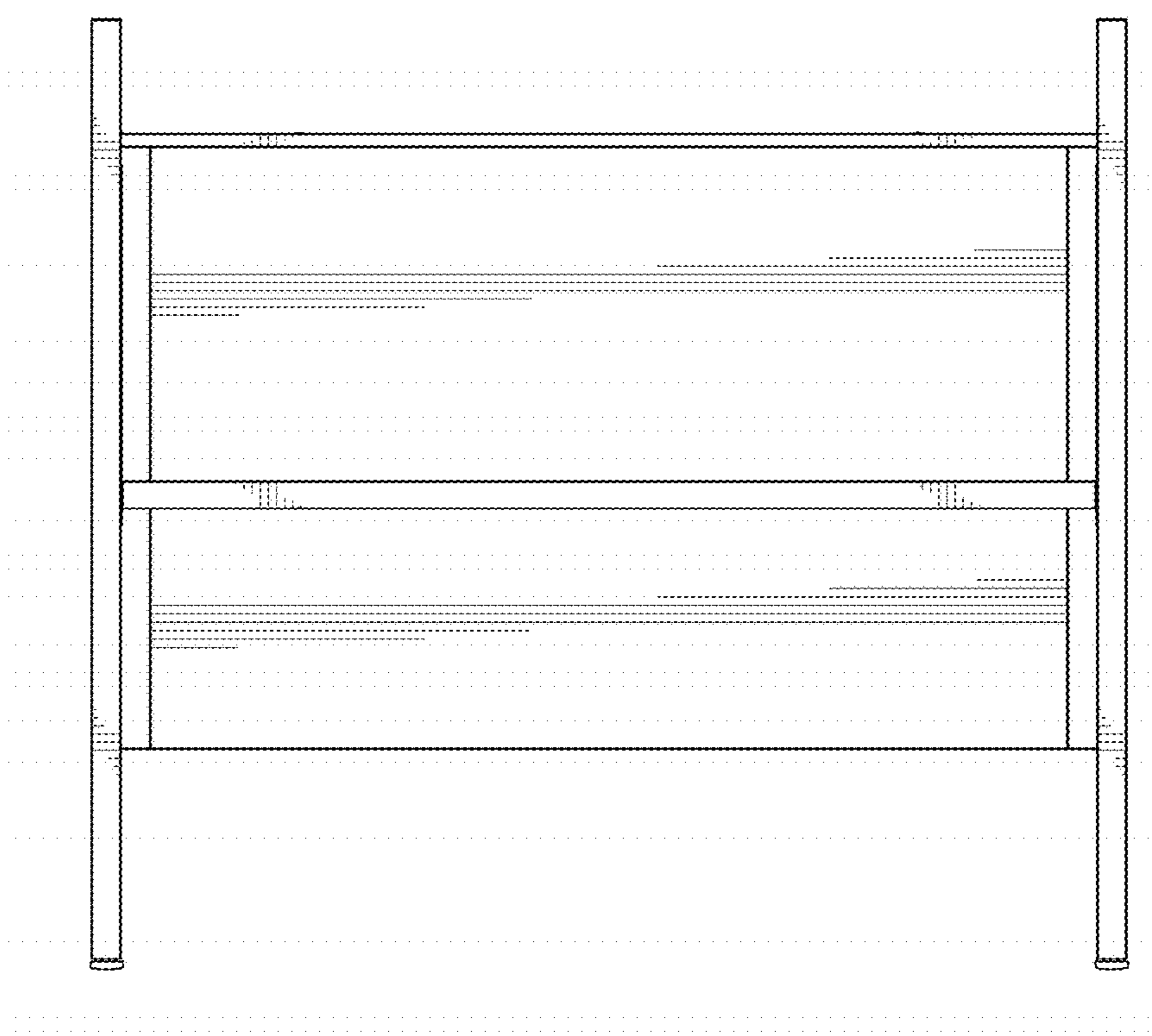
*FIG. 2*



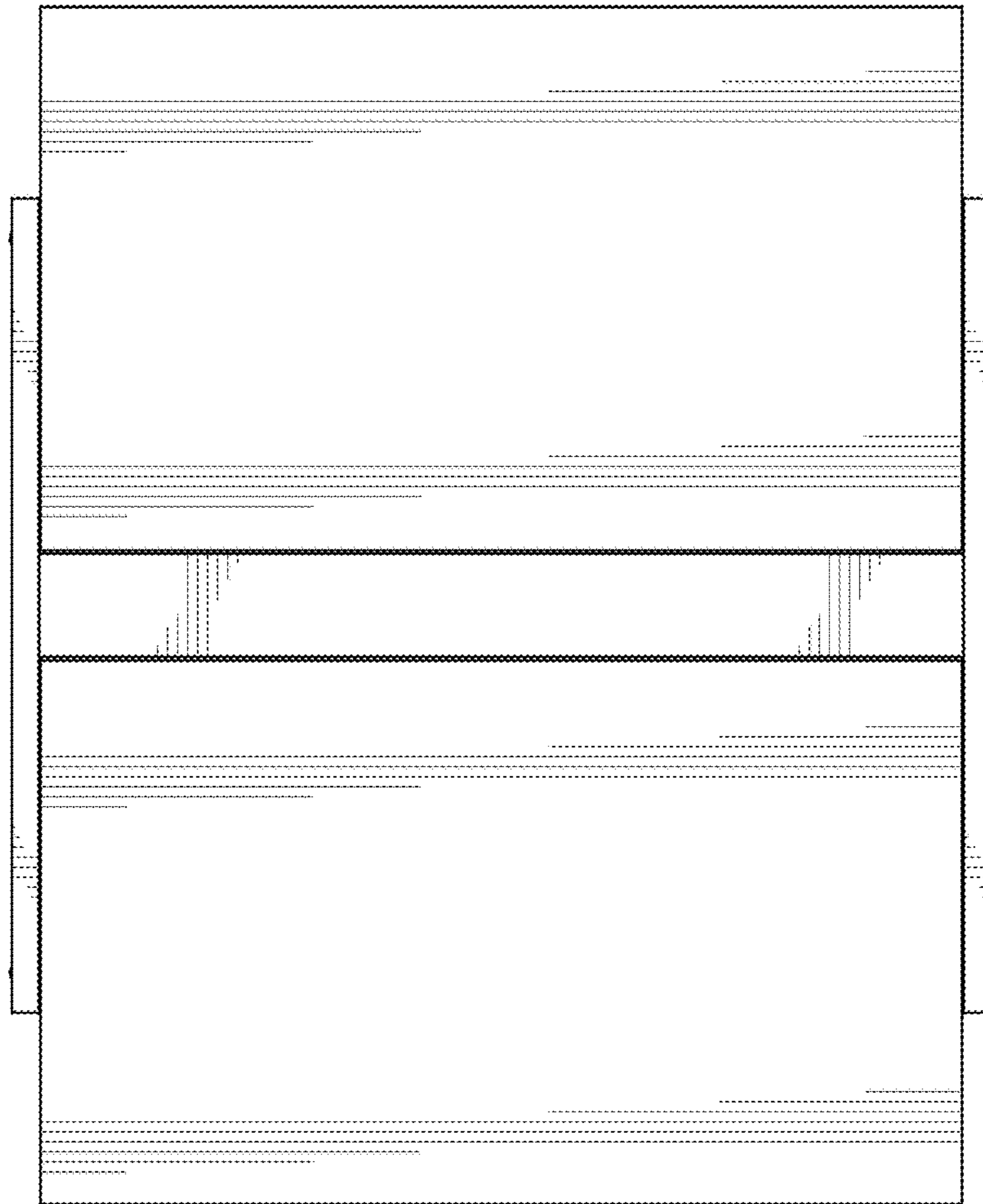
*FIG. 3*



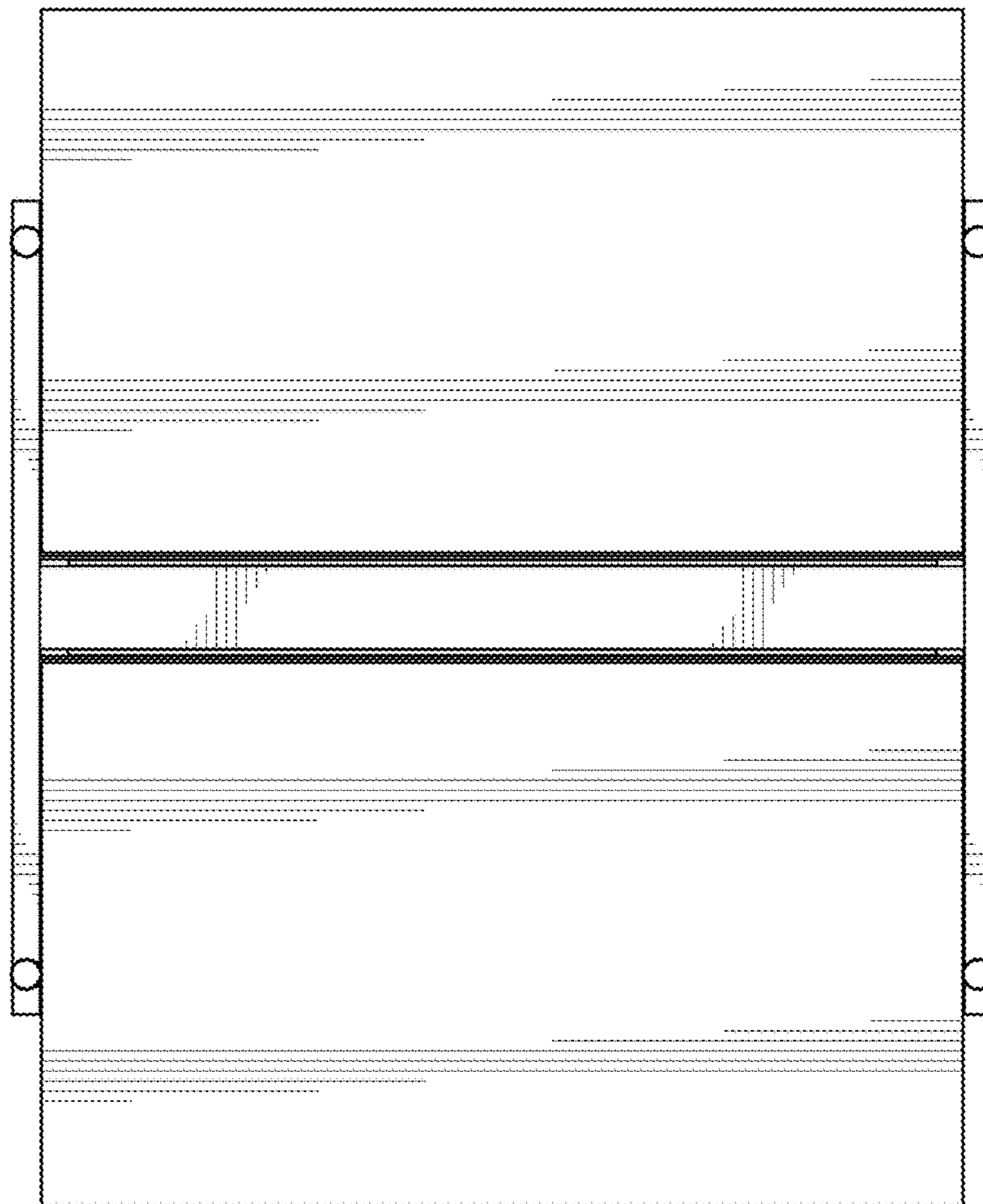
*FIG. 4*



*FIG. 5*



*FIG. 6*



*FIG. 7*